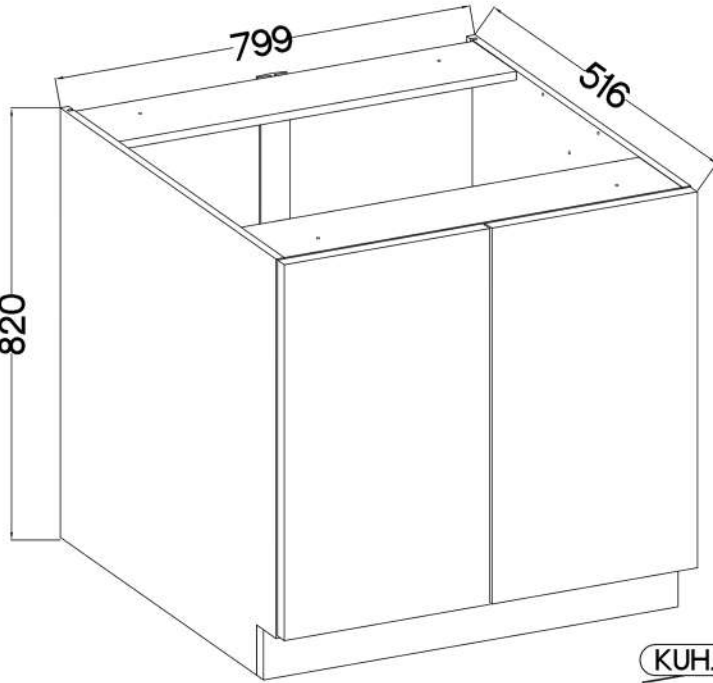
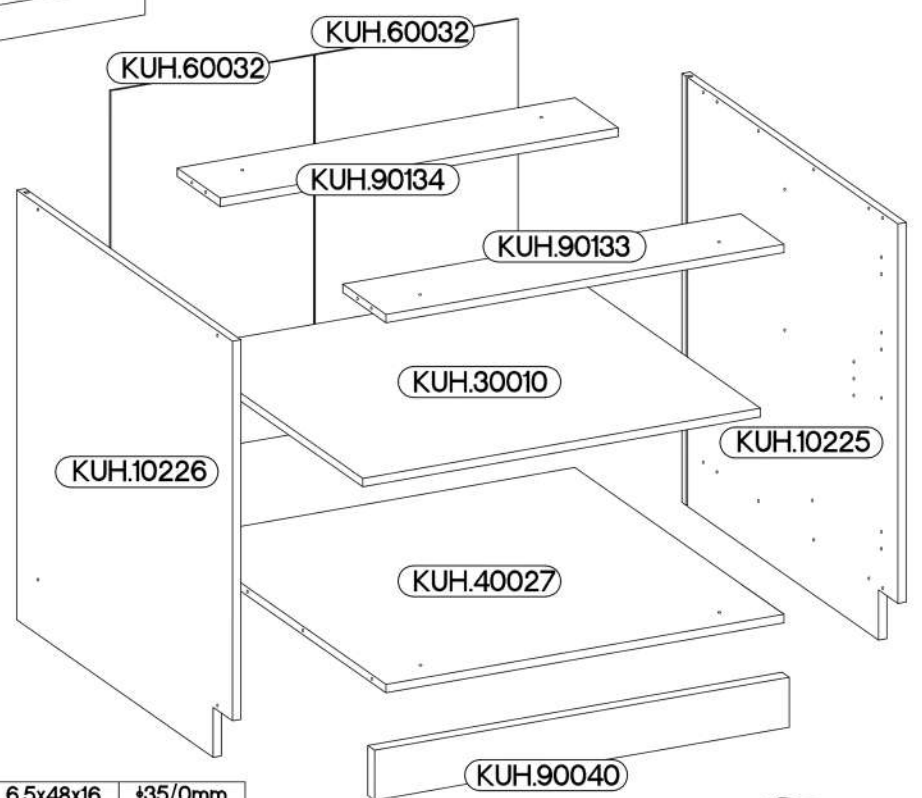
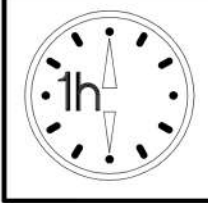


FRISBO 80 D 2F BB

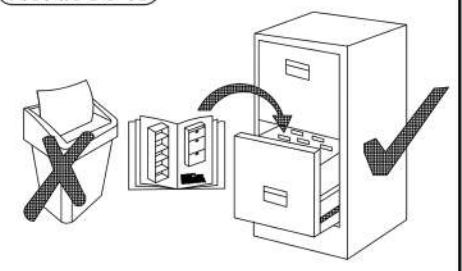


max. 10kg
 KUH.30010
 KUH.40027



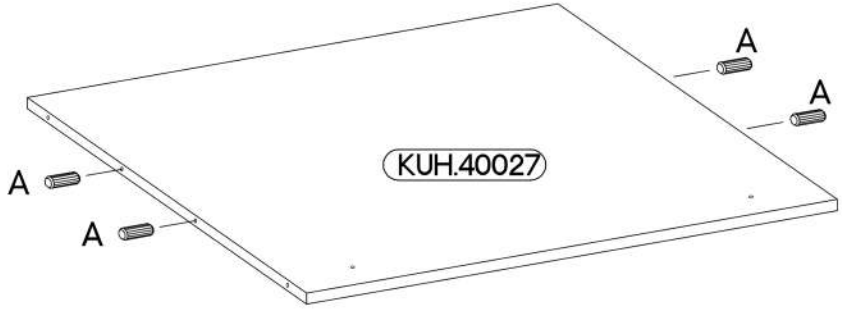
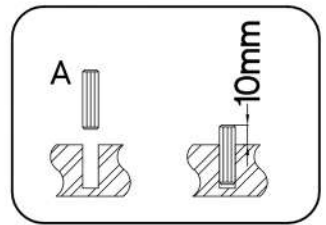
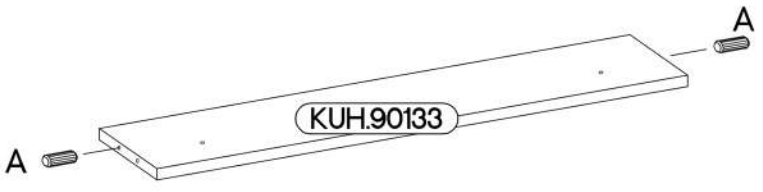
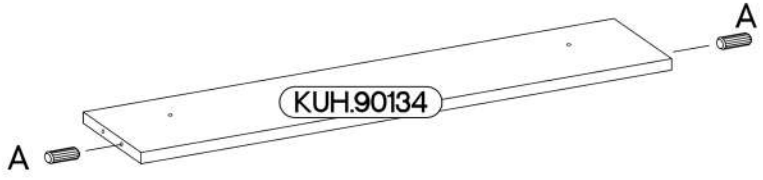
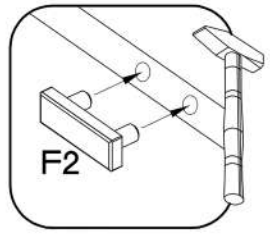
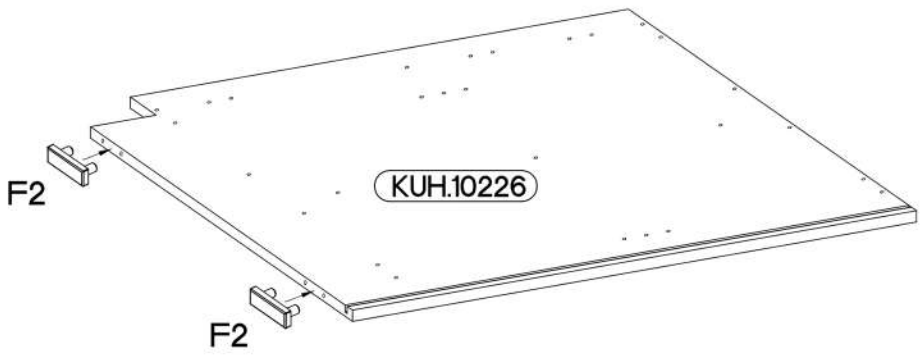
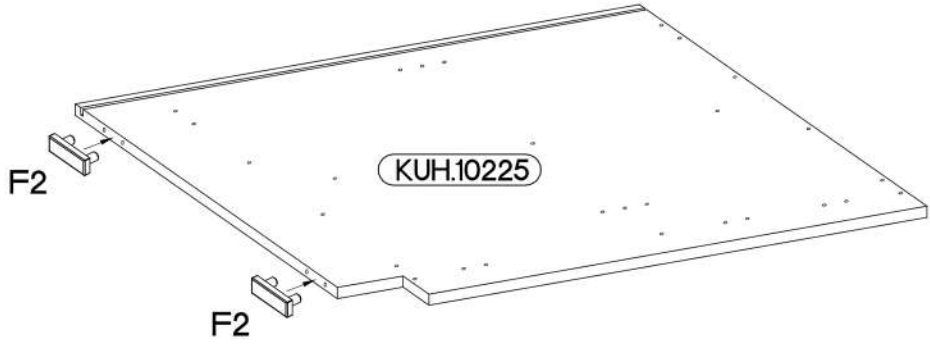
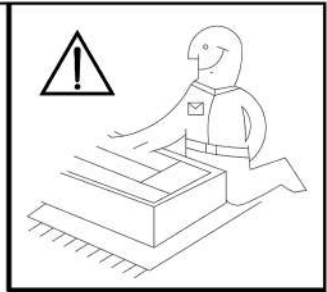
KUH.10225	815x500x16
KUH.10226	815x500x16
KUH.30010	766x430x16
KUH.40027	767x485x16
KUH.60032 x2	713x391x2,5
KUH.90133	767x100x16
KUH.90134	767x100x16
KUH.90040	799x95x16

8x30mm	6,4 x 50mm			6.5x48x16	+35/0mm	
A	B	E1	E9	F2	HG	
8	8	8	2	4	4	
+5/19mm	L1=680mm		+4.0x45mm	+3.5x13mm	+3.0x20mm	+4.0x35mm
J	L1	O	P4	P5	P7	R3
4	1	1	2	8	10-15	4



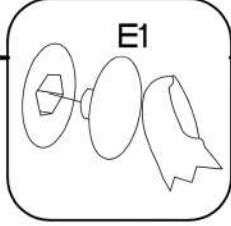
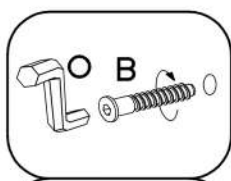
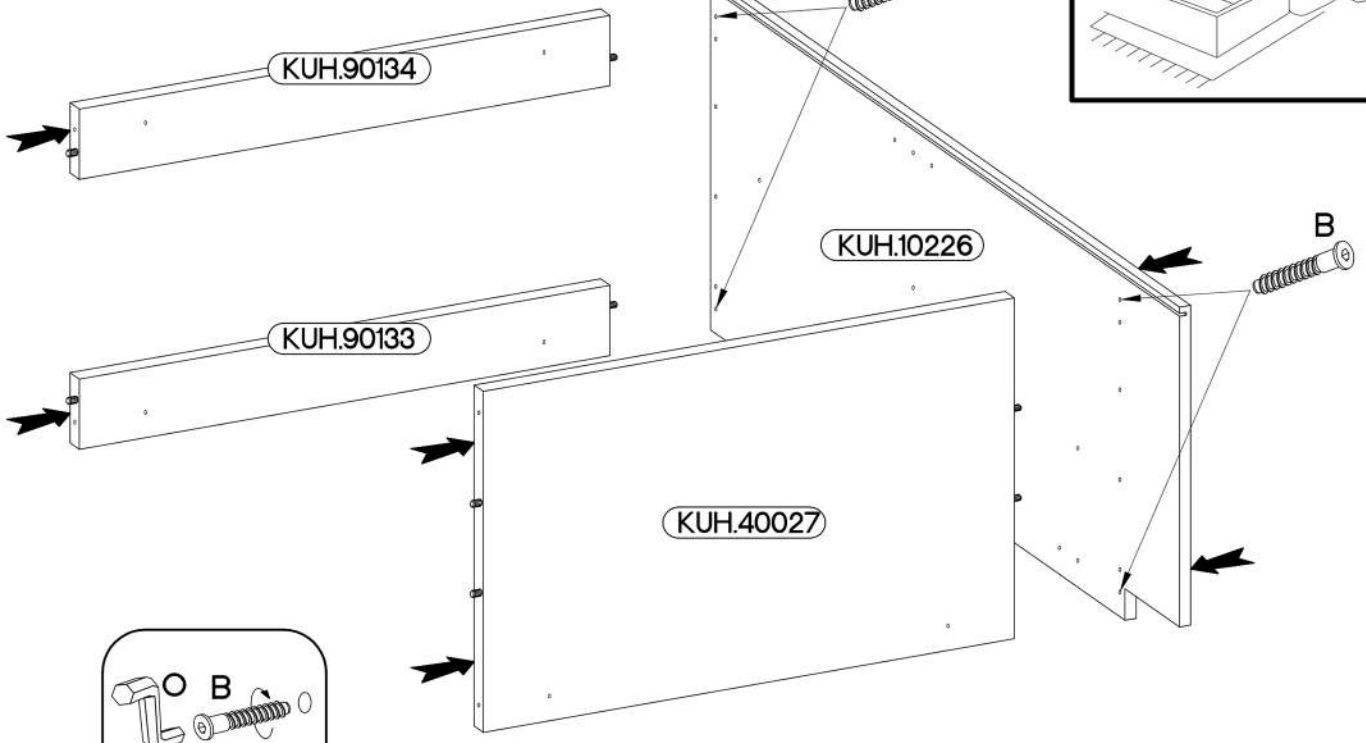
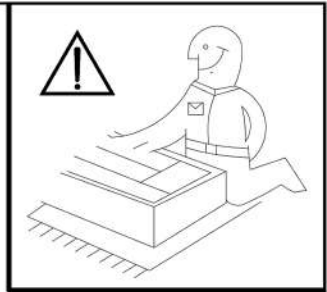
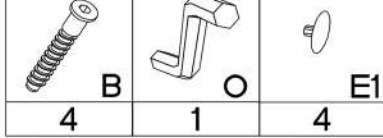
1

6.5x48x16 F2 4	+8x30mm A 8
----------------------	-------------------

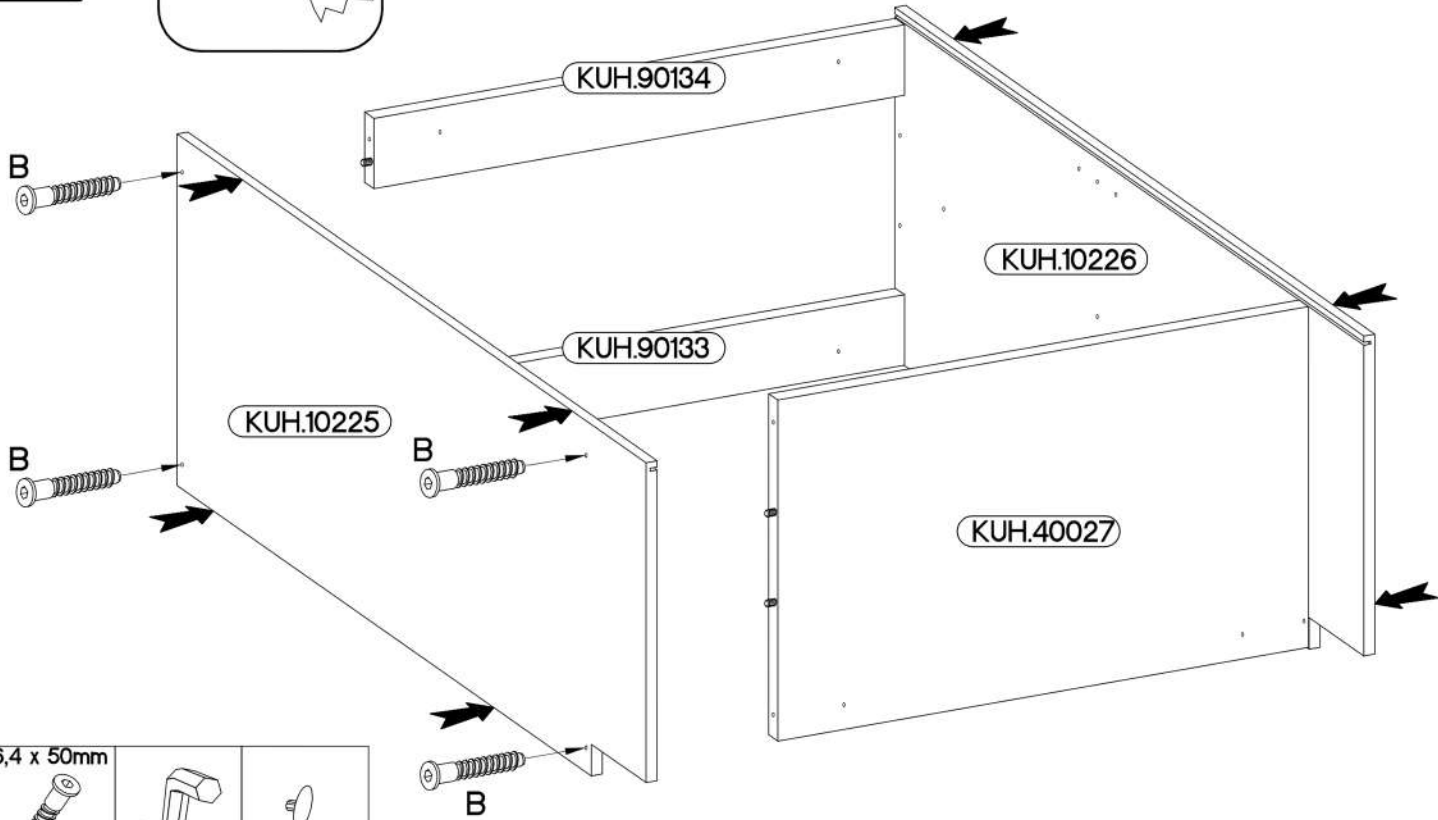


2

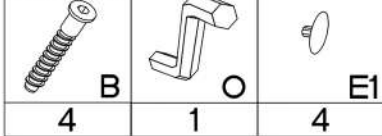
6,4 x 50mm



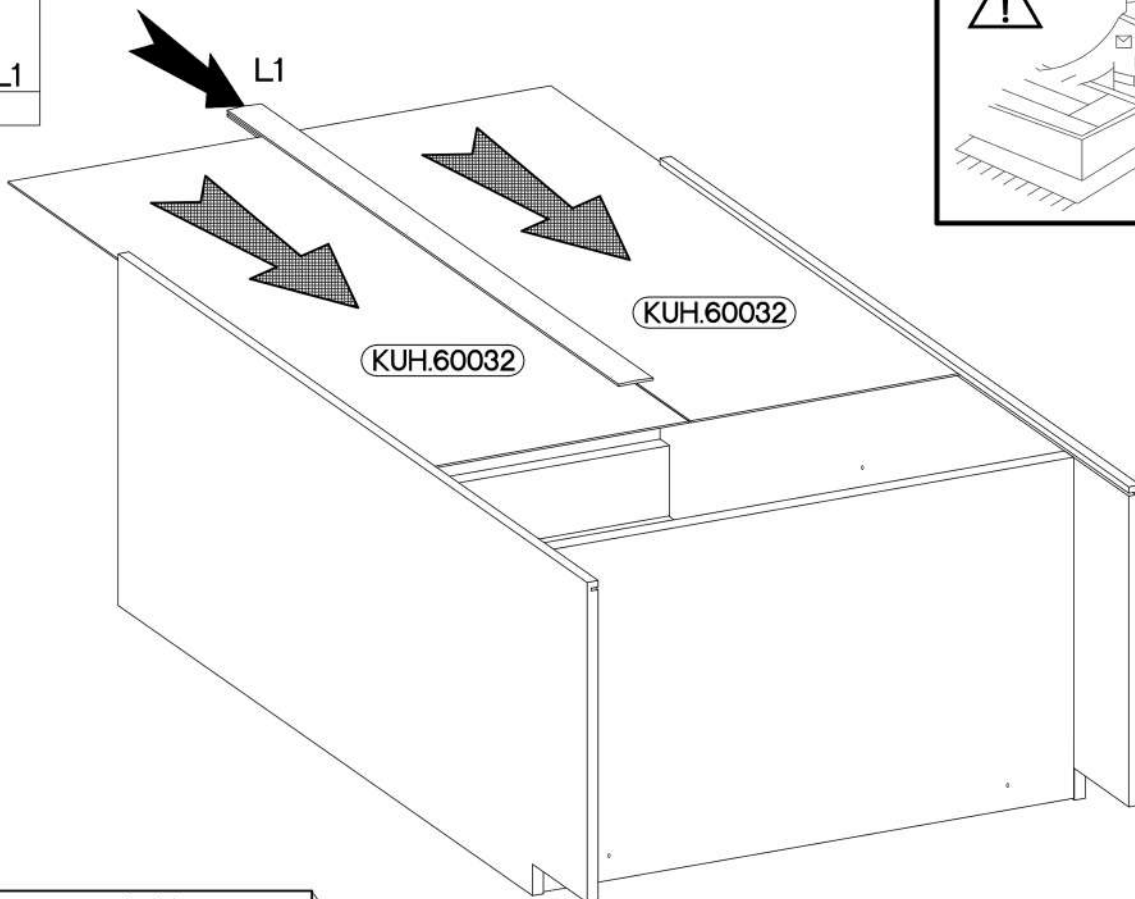
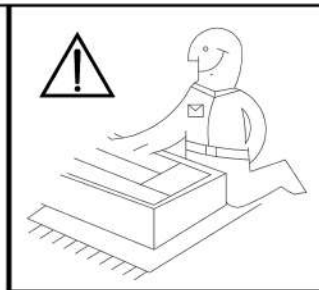
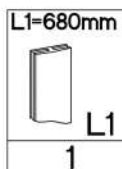
3



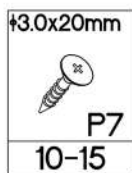
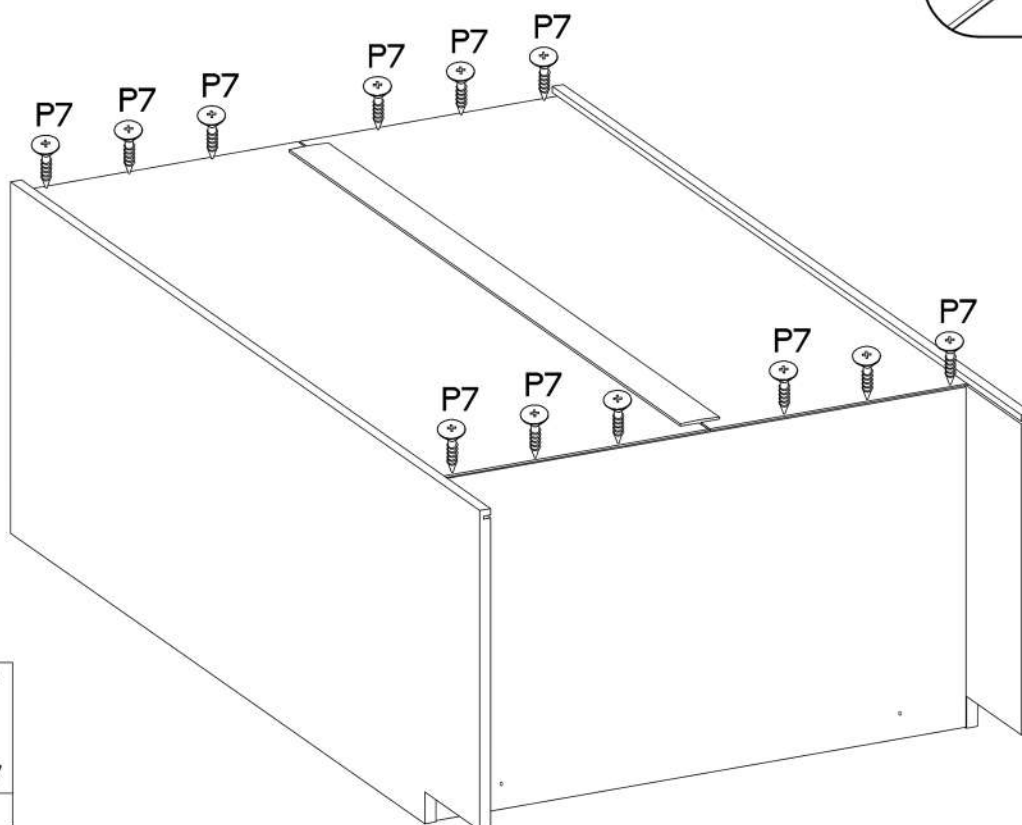
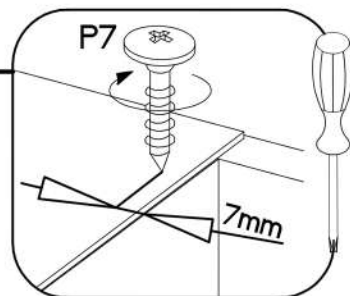
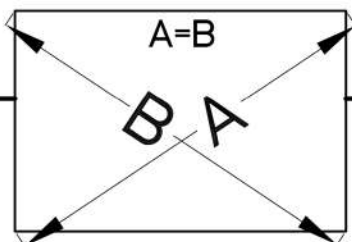
6,4 x 50mm





4

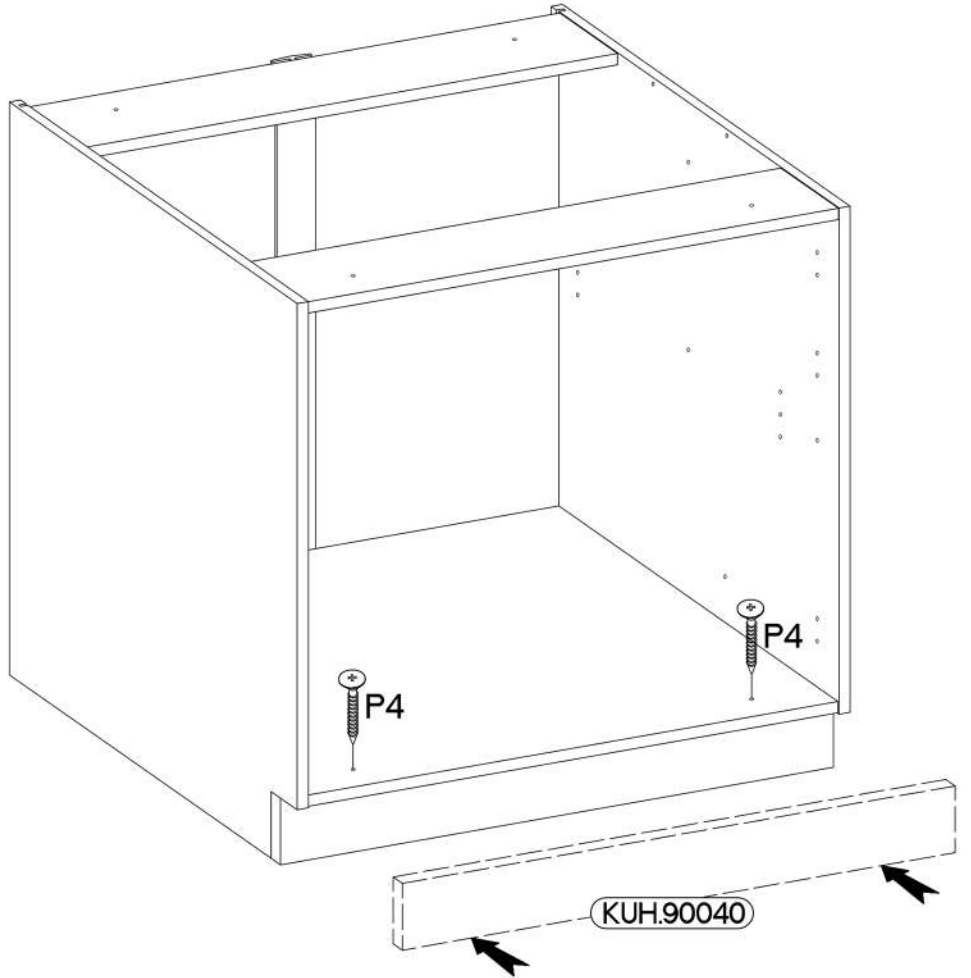
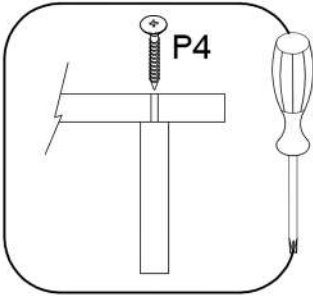


5




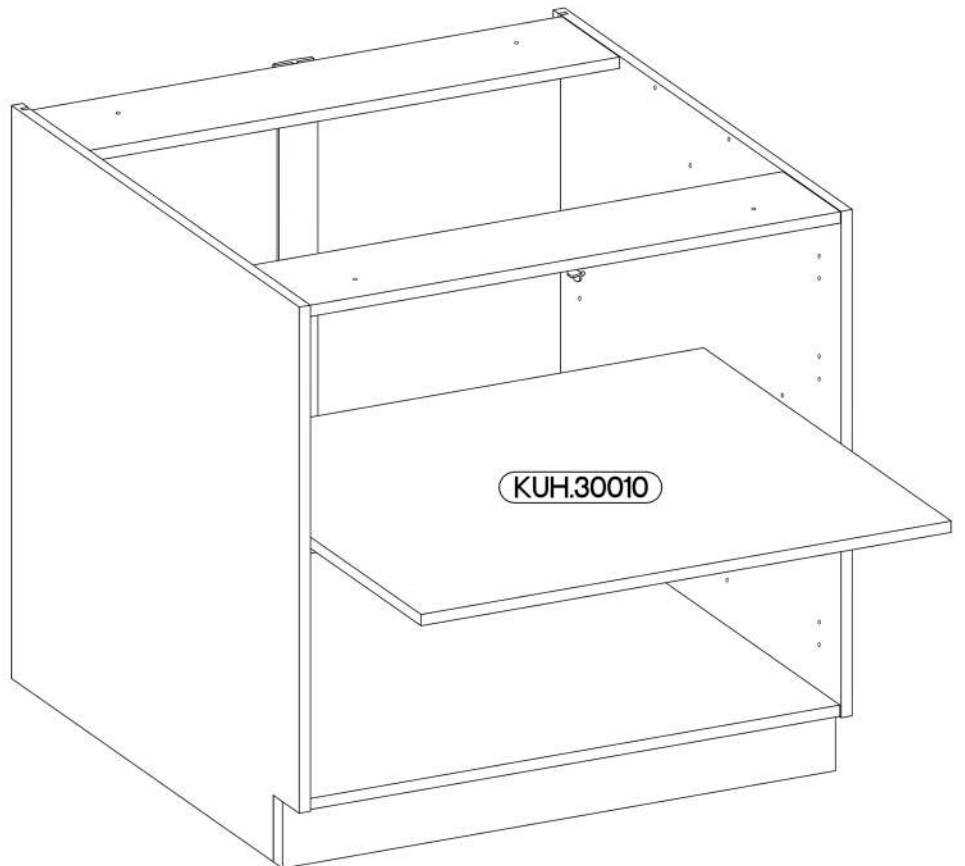
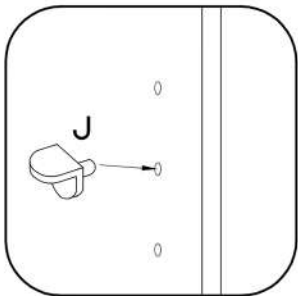
6

†4.0x45mm	
	E9
P4	E9
2	2

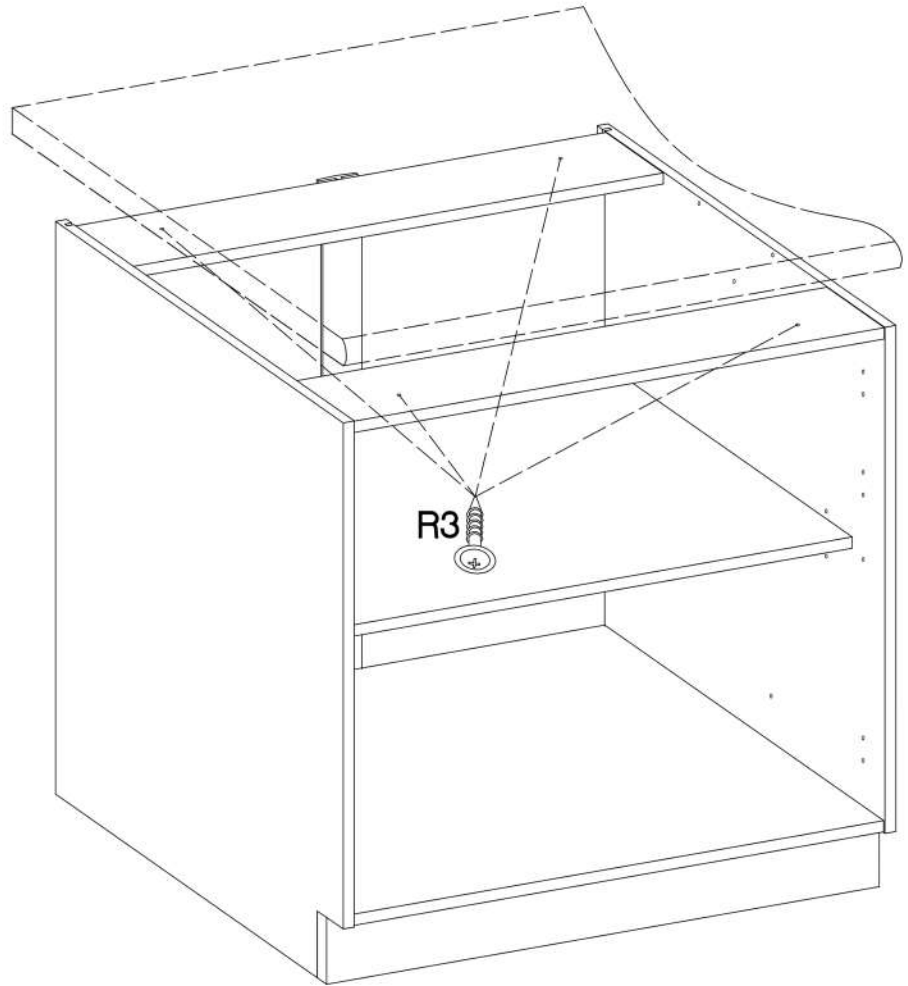
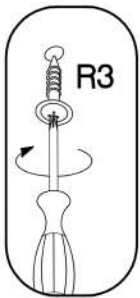
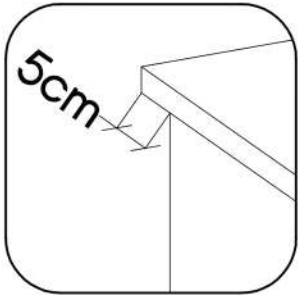
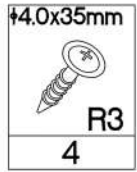


7

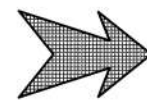
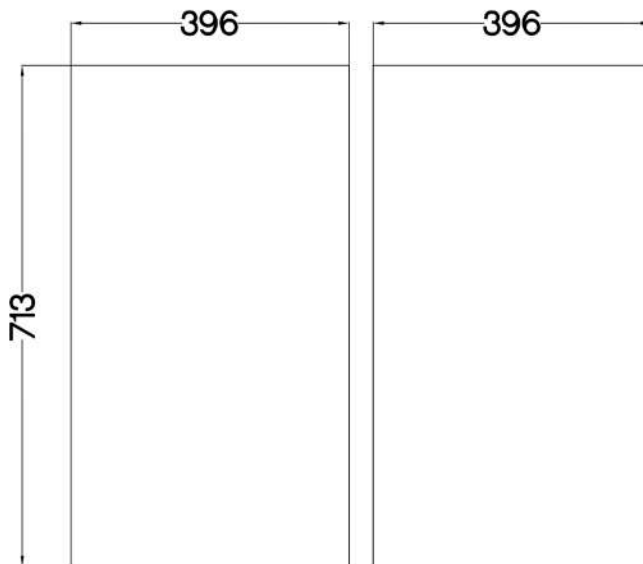
†5/19mm	
J	
4	

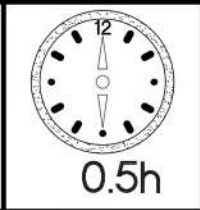
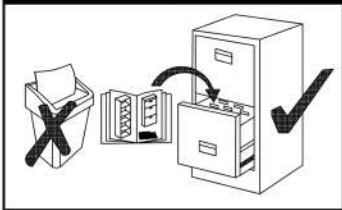
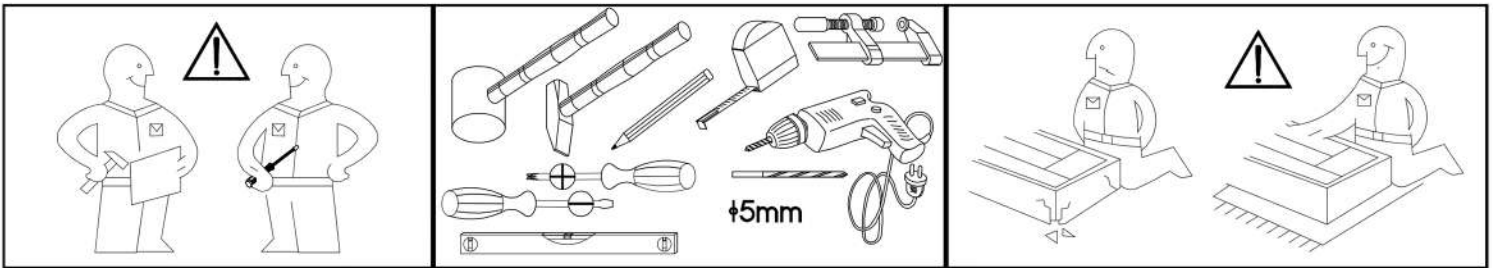


8



9

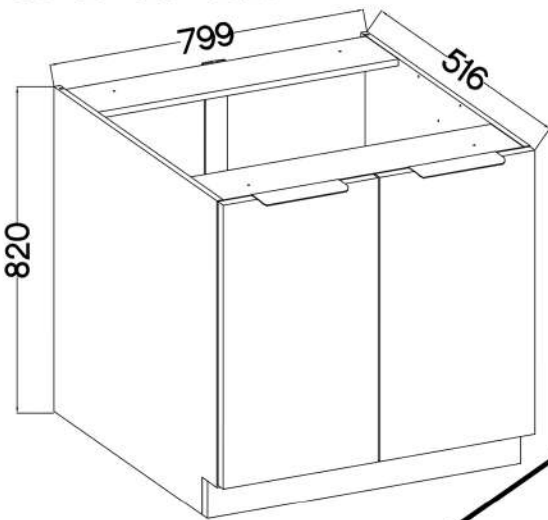




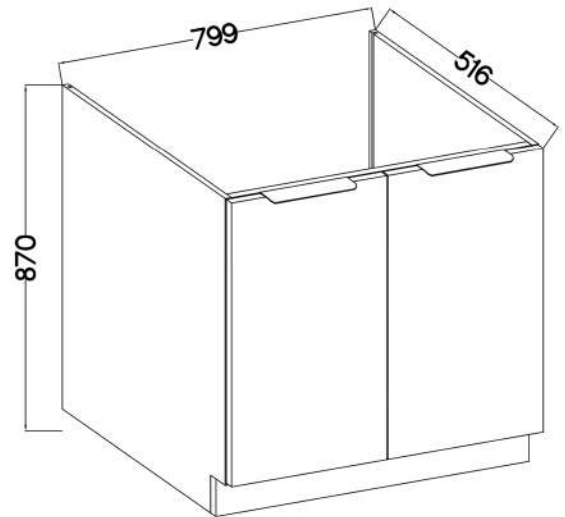
713x396



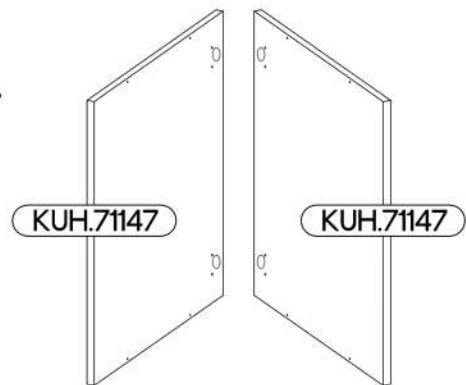
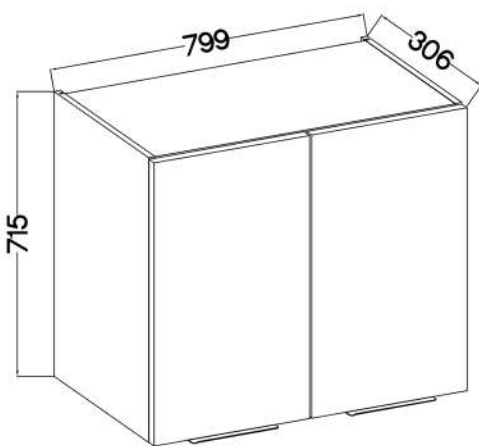
80 D 2F BB



80 ZL 2F BB



80 G-72 2F



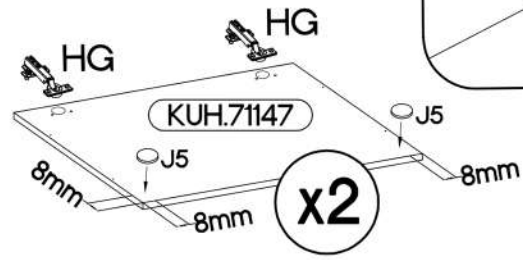
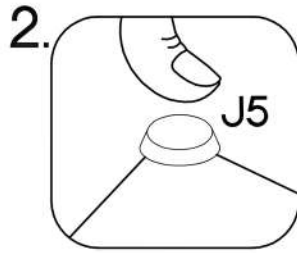
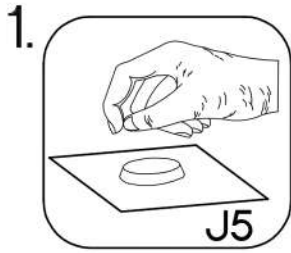
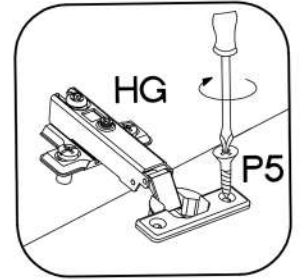
L=192mm	±7/2mm
S	J5
2	4

KUH.71147 x2 713x396x16

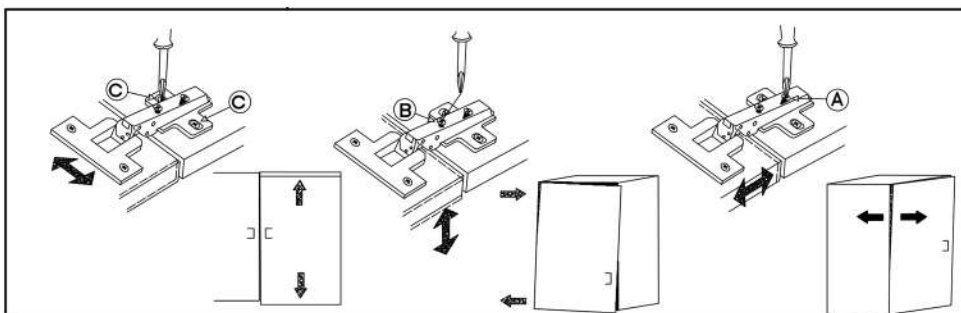
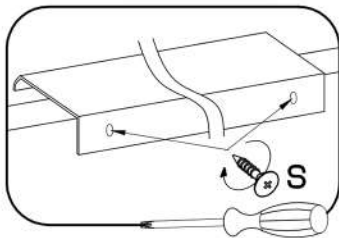
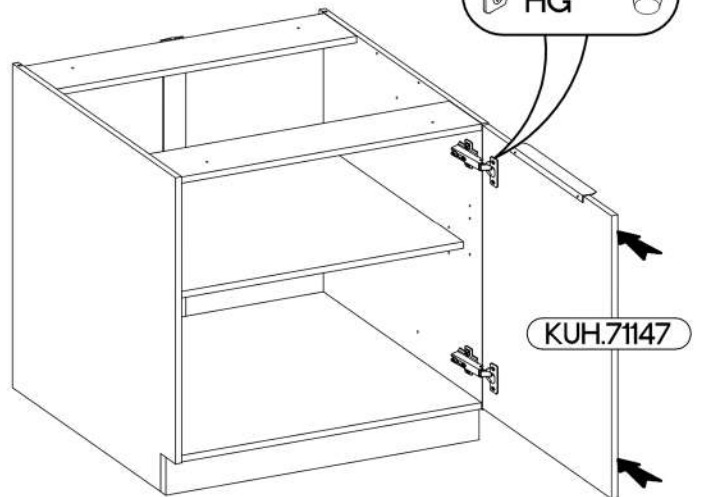
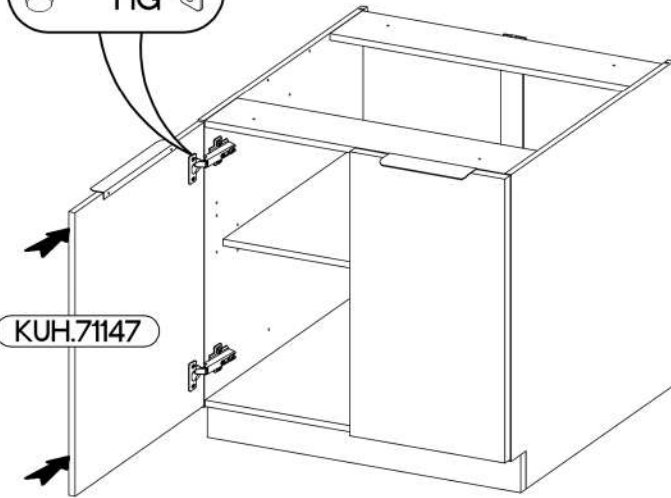
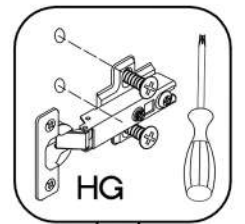
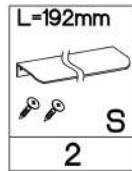
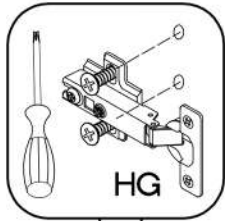
1

80 D 2F BB

$\pm 35/0\text{mm}$ [CD] HG 4	$\pm 3.5 \times 13\text{mm}$ P5 8	$\pm 7/2\text{mm}$ J5 4
-------------------------------------	---	-------------------------------

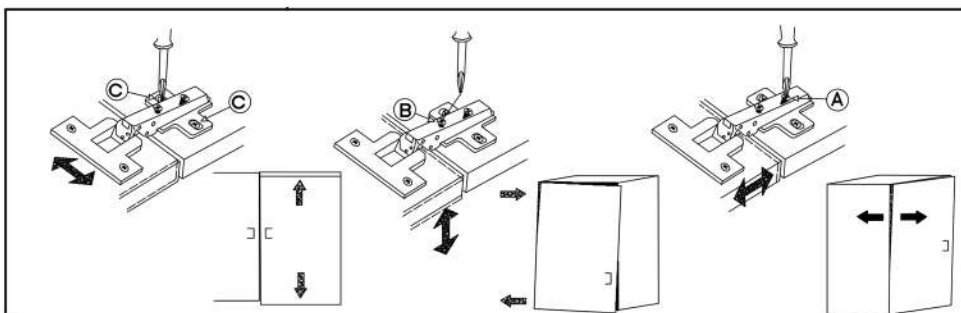
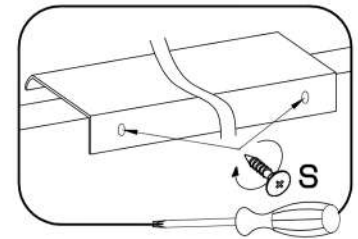
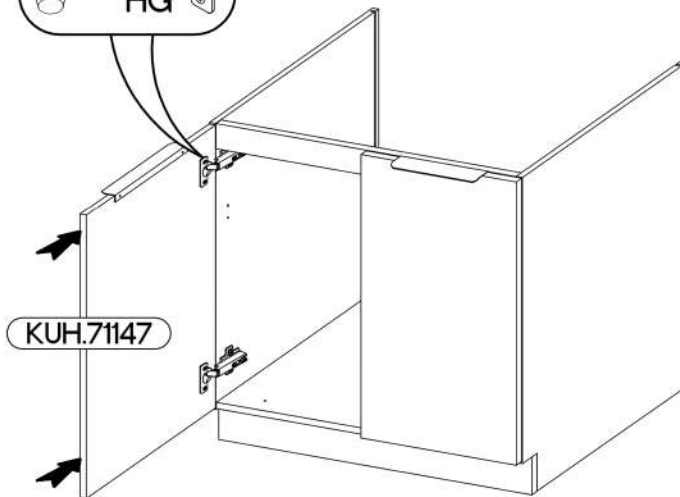
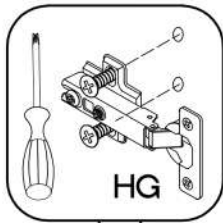
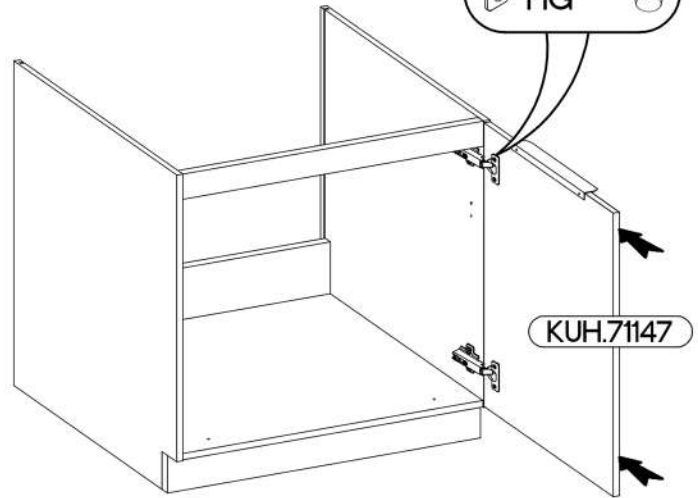
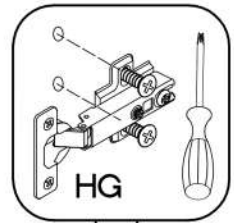


2



3

80 ZL 2F BB



4 80 G-72 2F

L=192mm
S
2

