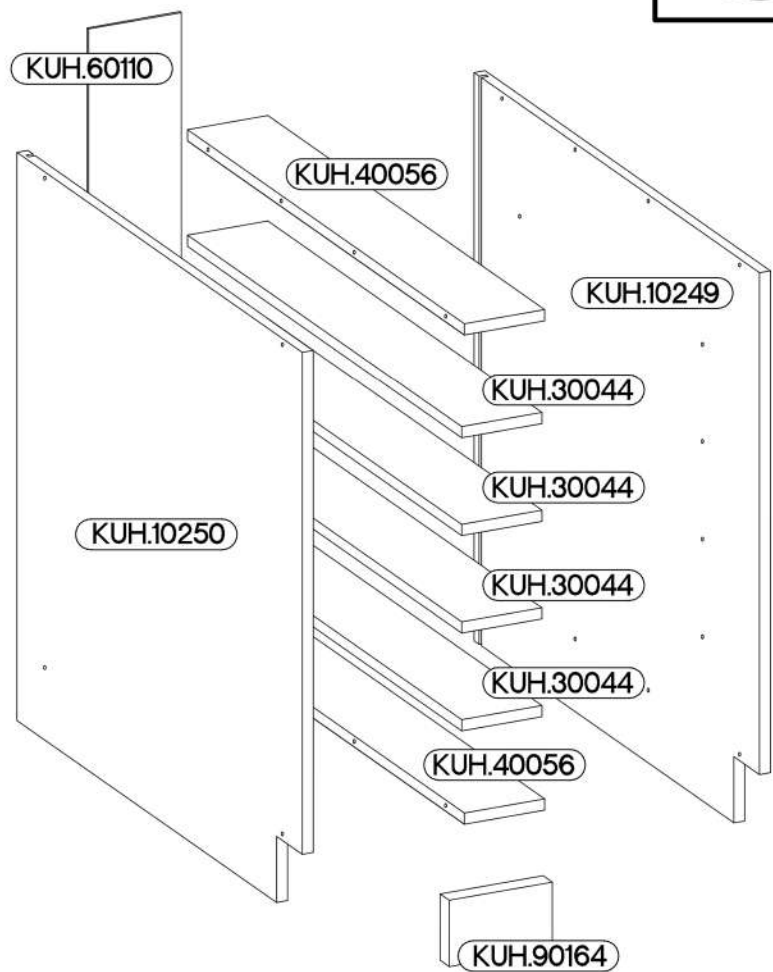
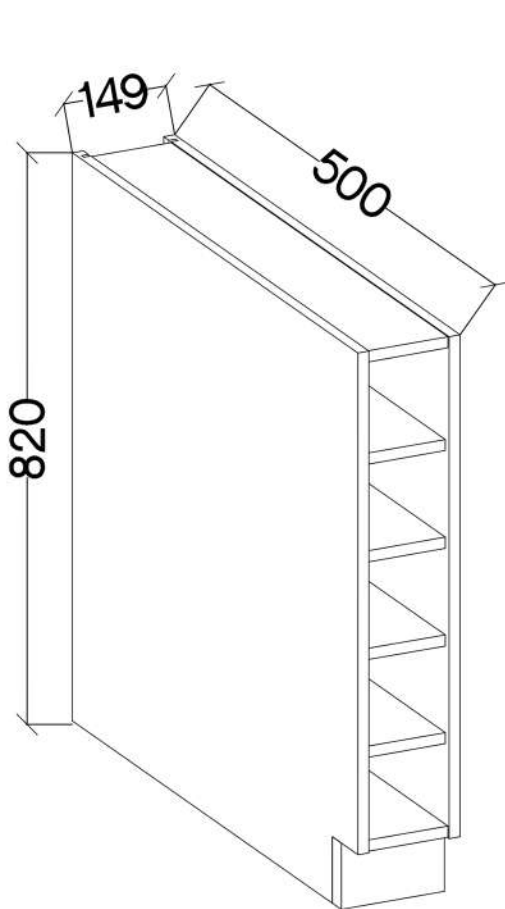


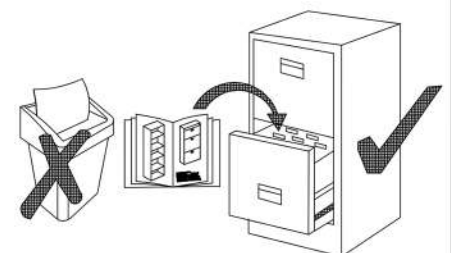
# ARSANY/FRISBO 15 D OTW BB





KUH.30044  
KUH.40056

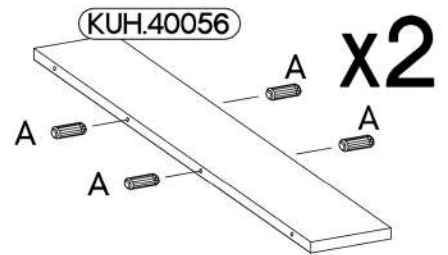
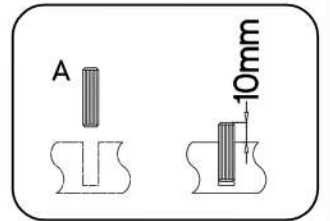
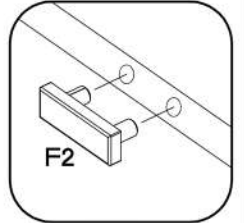
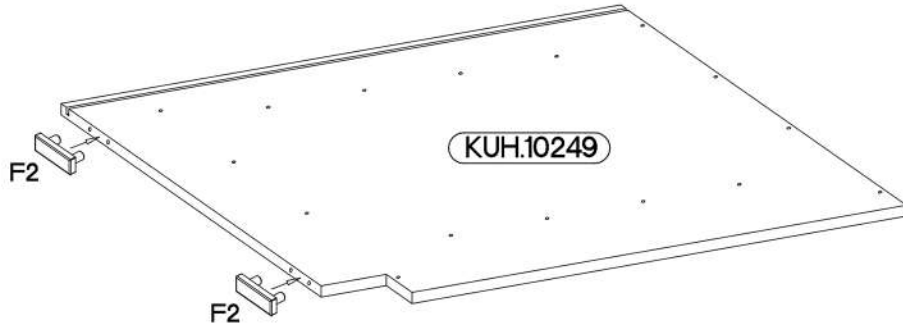
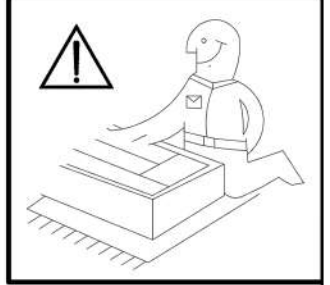


+8x30mm  A 8	6,4 x 50mm  B 8	 E1 8	6.5x48x16  F2 4	 J3 16
 O 1	+4.0x16mm  P1 2	+3.0x20mm  P7 4	 T3 1	





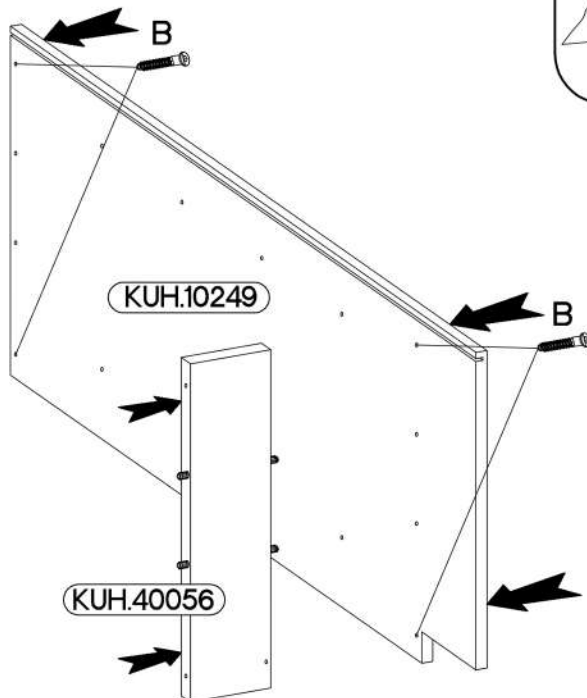
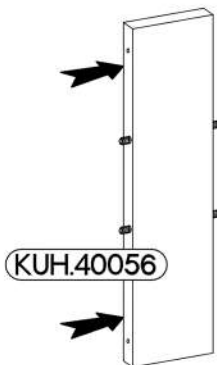
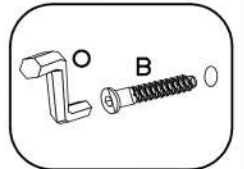
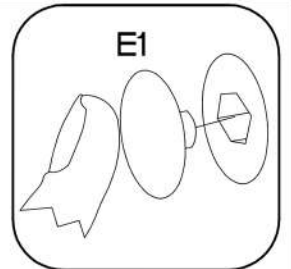
# 1

6.5x48x16	±8x30mm
	
F2	A
4	8



# 2

6,4 x 50mm		
B	O	E1
4	1	4



3

6,4 x 50mm



B

4



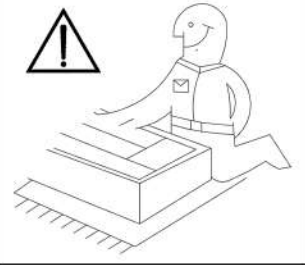
O

1

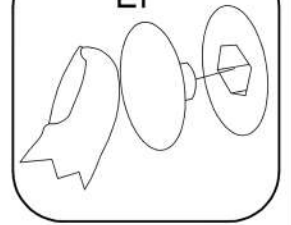


E1

4



E1

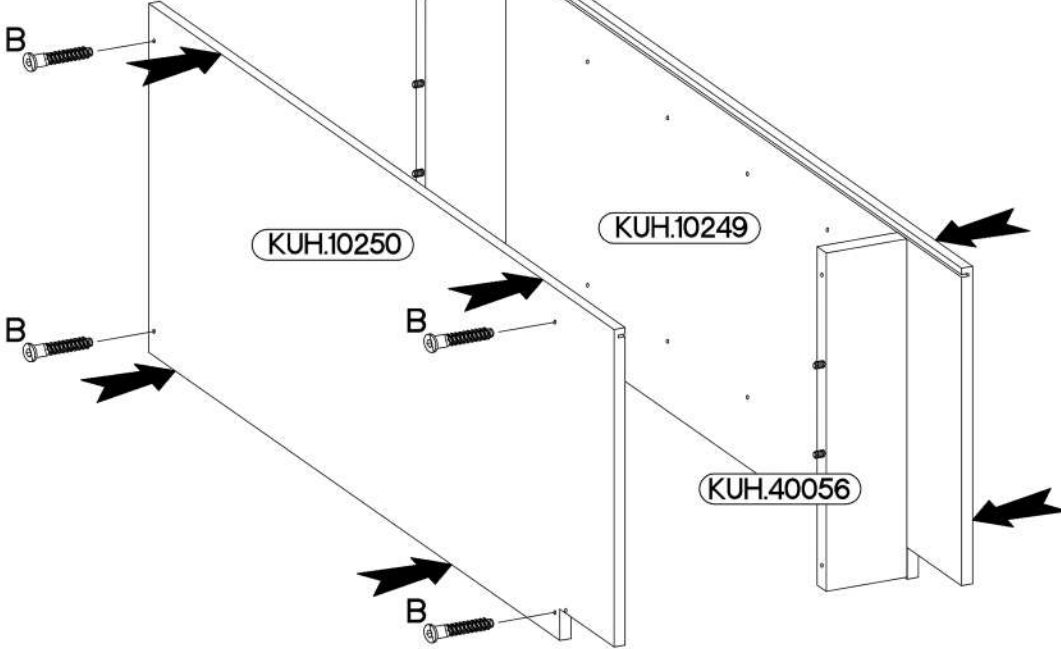


KUH.40056

KUH.10250

KUH.10249

KUH.40056



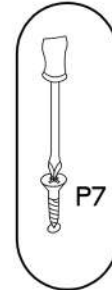
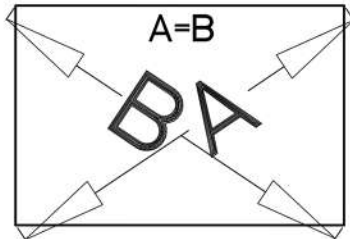
4

±3.0x20mm

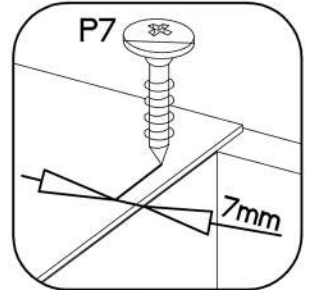


P7

4



P7



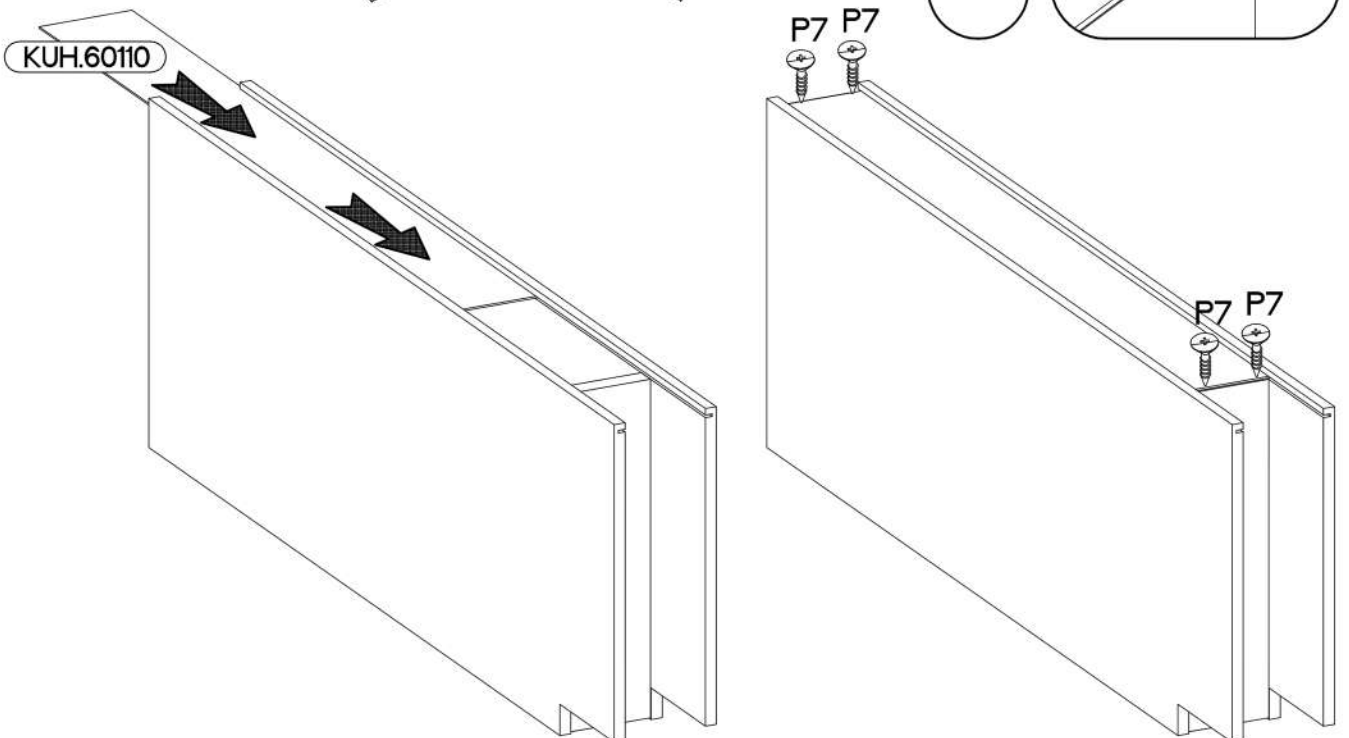
P7

7mm



KUH.60110

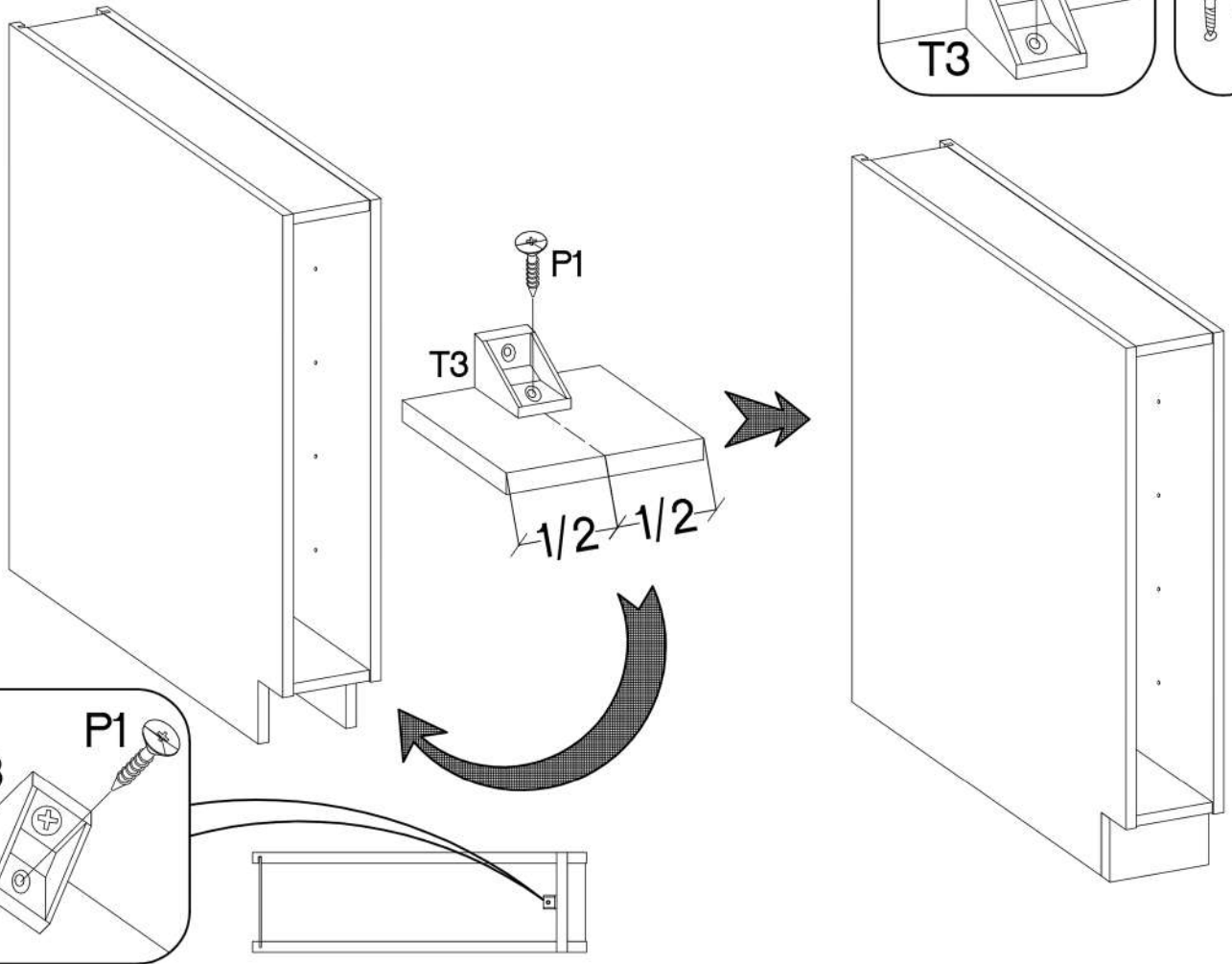
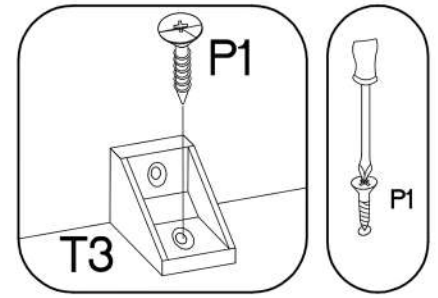
P7 P7

P7 P7




5

	±4.0x16mm 
T3 1	P1 2



6


J3 16

