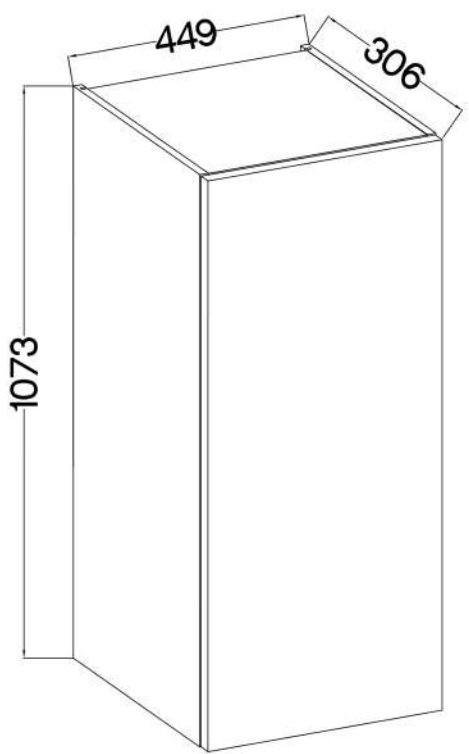
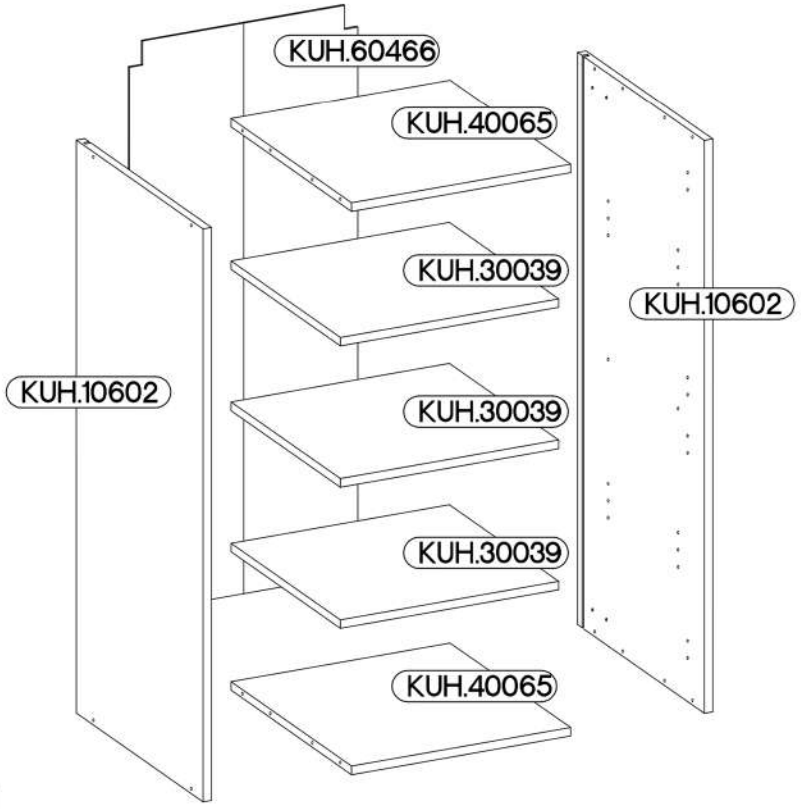


ARSANY 45 G-108 1F

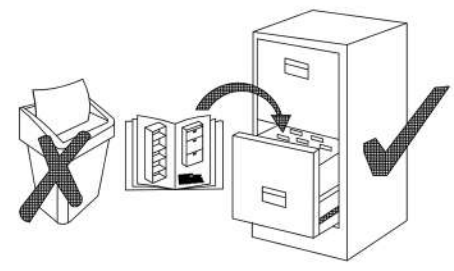


max. 5kg
 KUH.30039
 KUH.40065






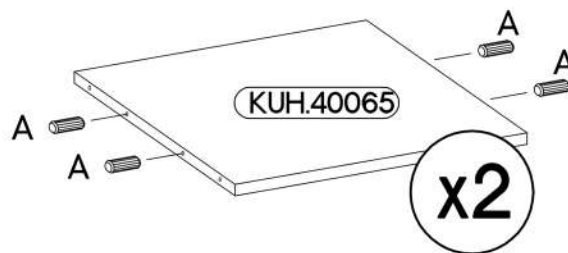
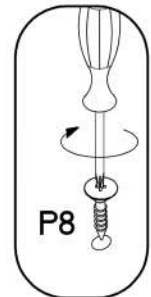
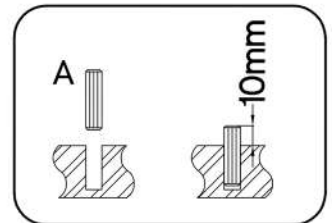
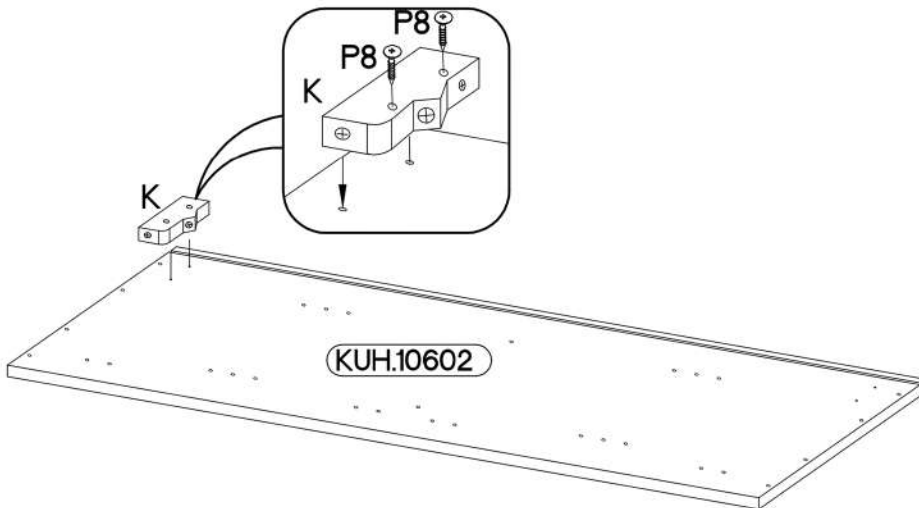
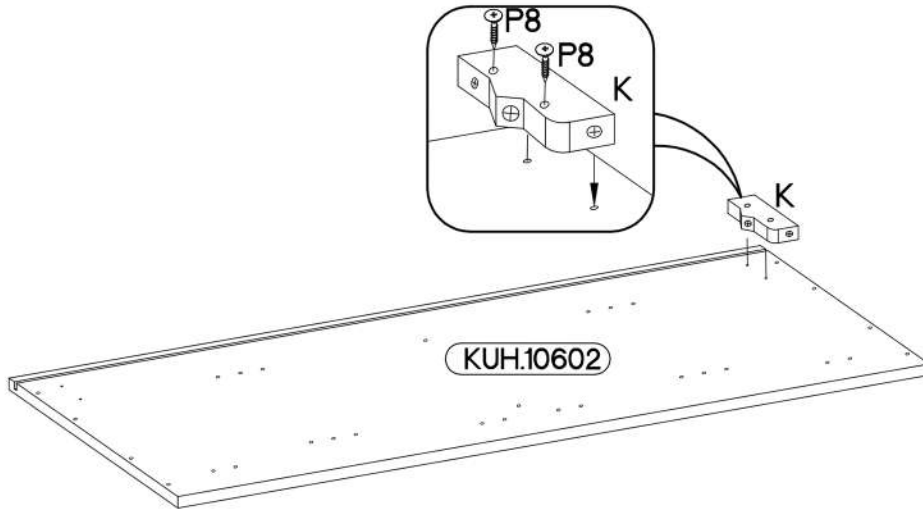
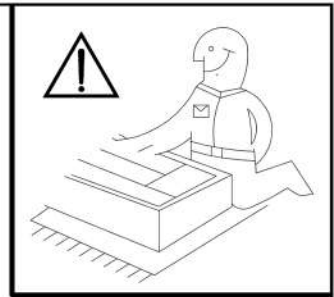
KUH.10602 x2	1073x290x16
KUH.30039 x3	416x250x16
KUH.40065 x2	417x276x16
KUH.60466	1070x435x2,5

+8x30mm A 8	6,4 x 50mm B 8	E1 8	+35/0mm HG 3	+3.5x13mm P5 6	+3.0x20mm P7 8-10	+4.0x30mm P8 4
+5/16mm J3 12	K 2	O 1				






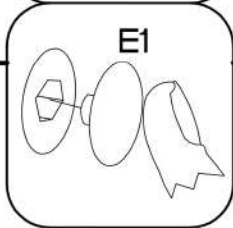
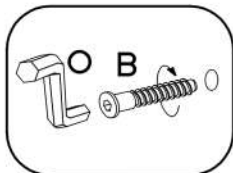
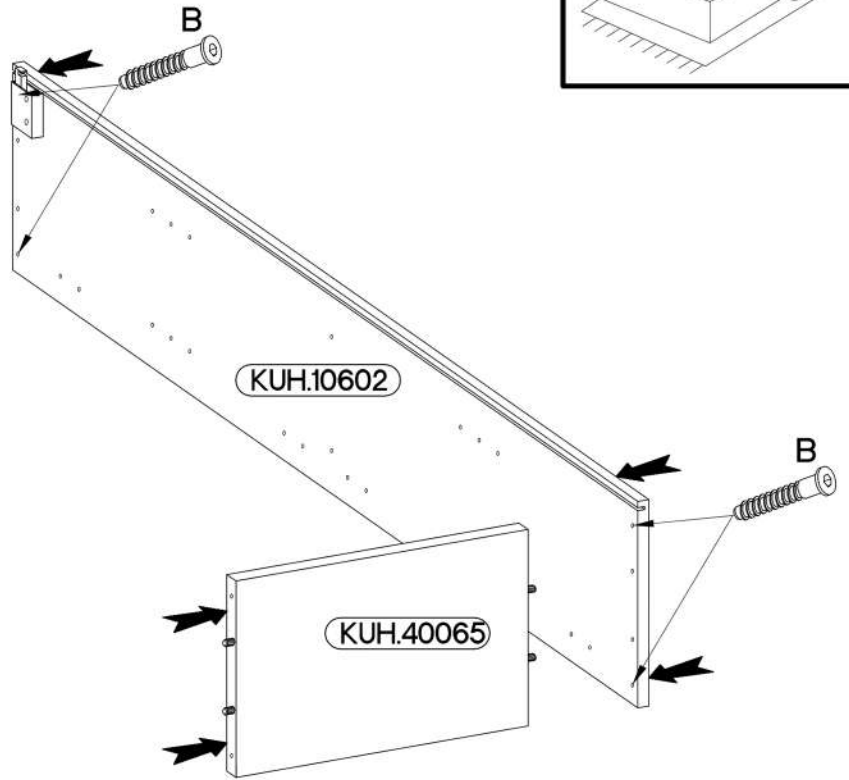
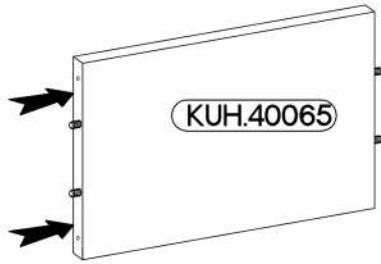
1

 ‡8x30mm A	 ‡4.0x30mm P8	 K
8	4	2

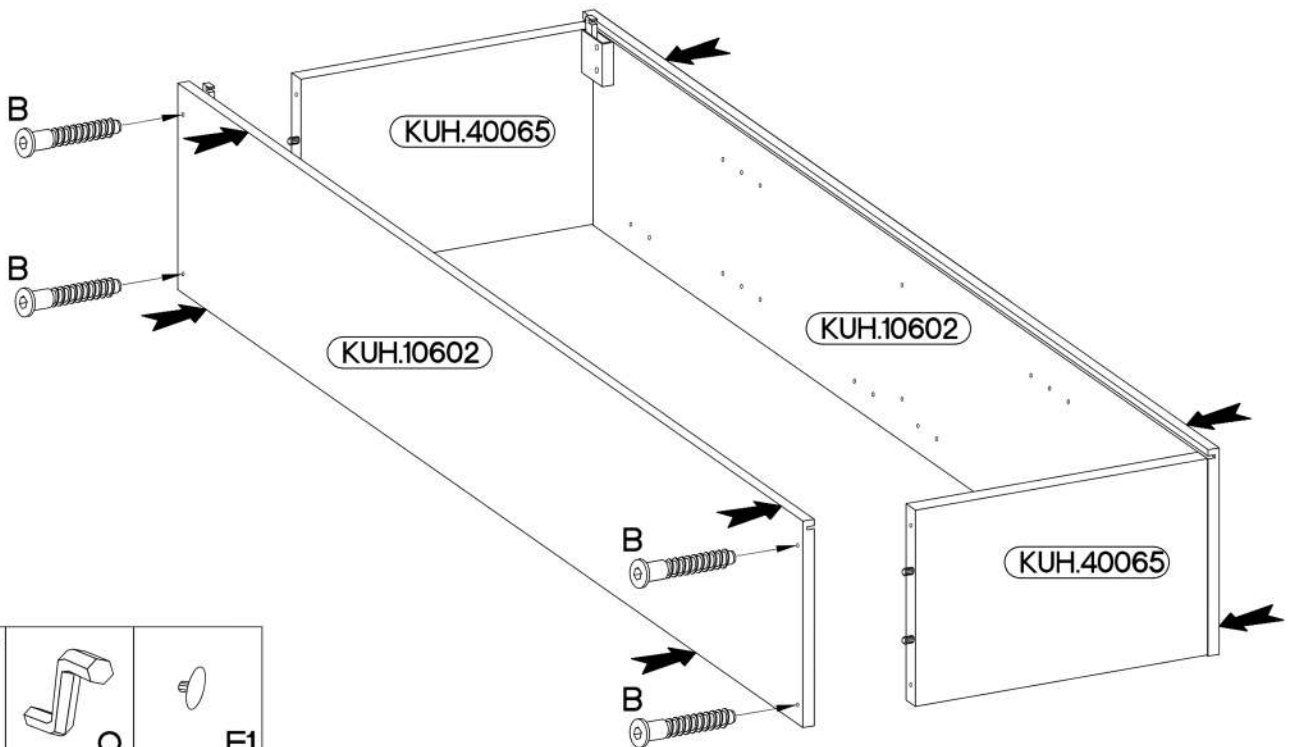





2

6,4 x 50mm		
		
B	O	E1
4	1	4

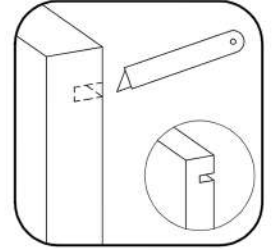
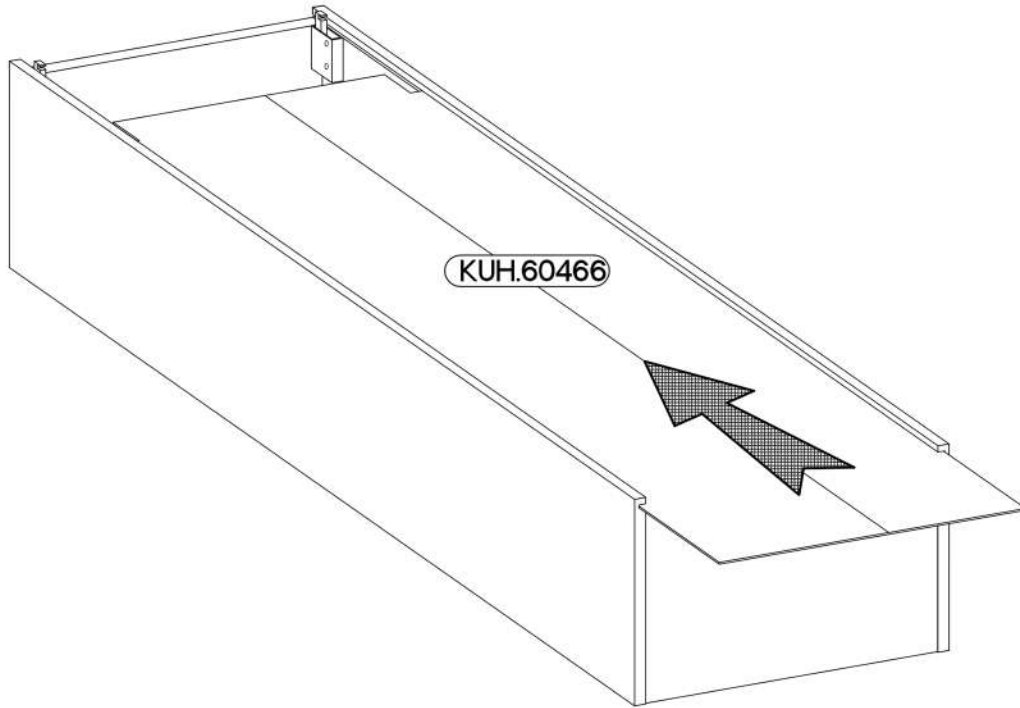


3

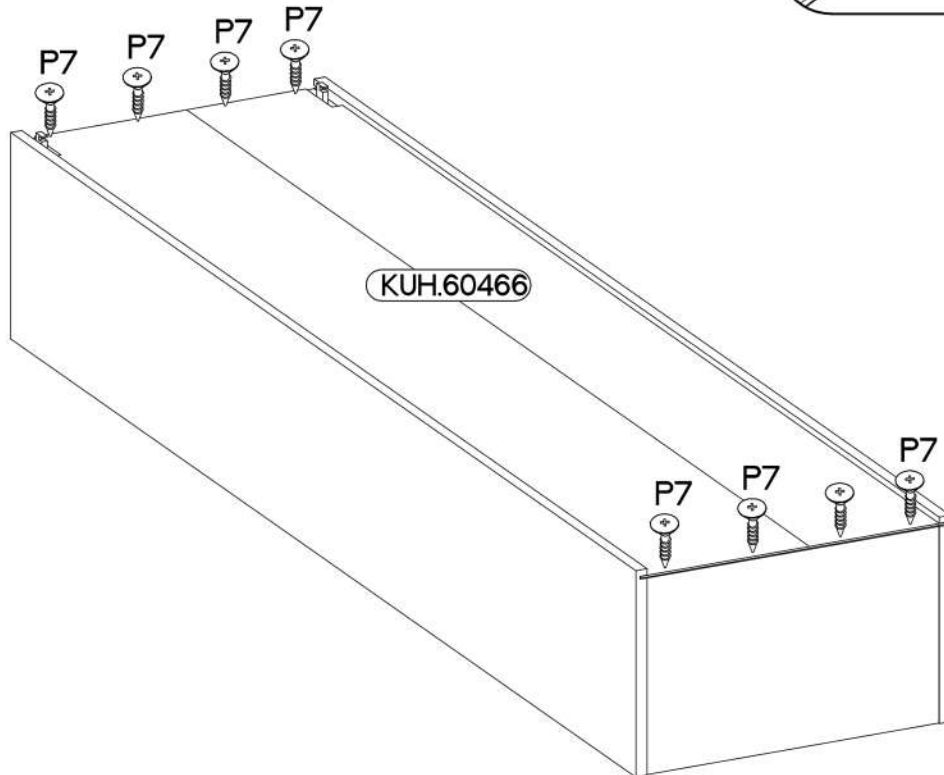
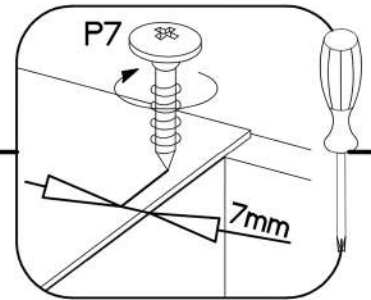
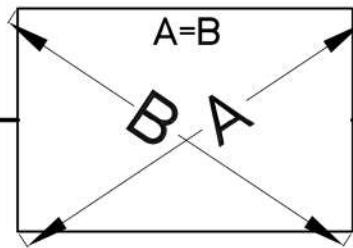


6,4 x 50mm		
		
B	O	E1
4	1	4

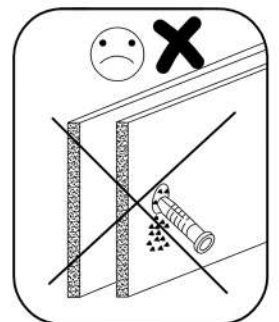
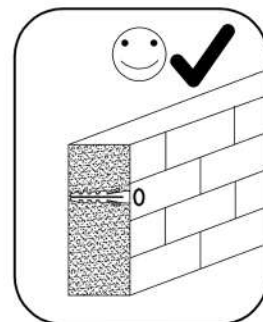
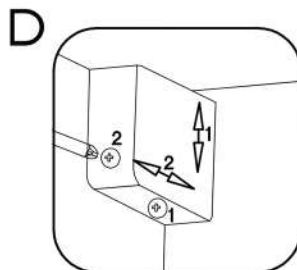
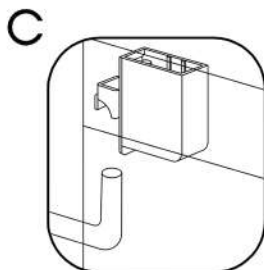
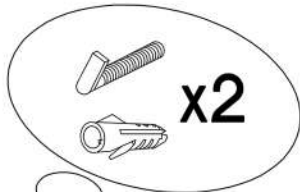
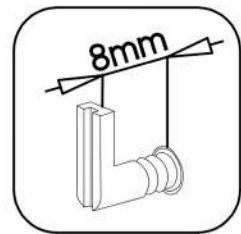
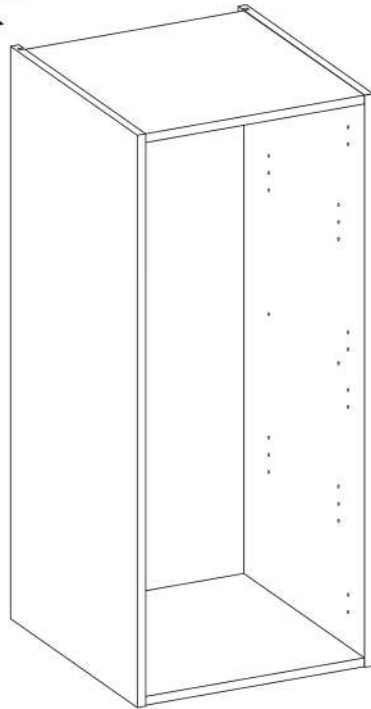
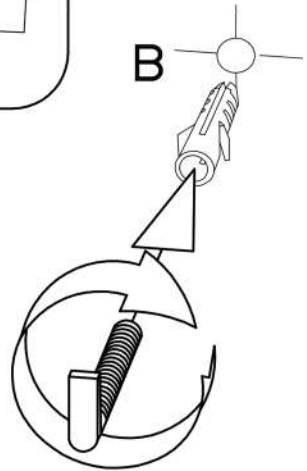
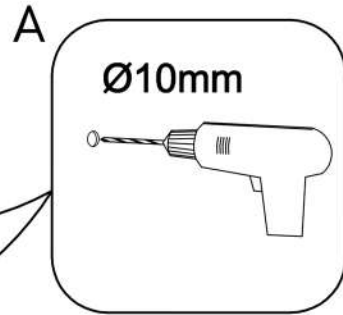
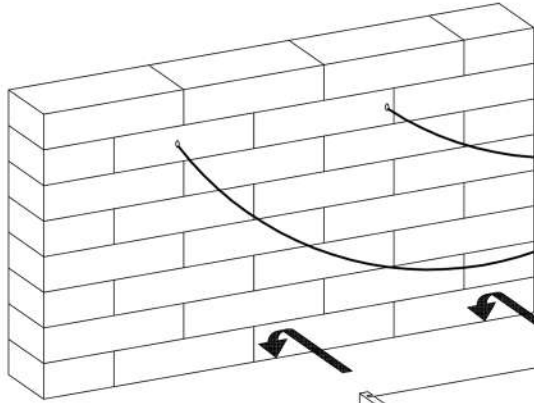
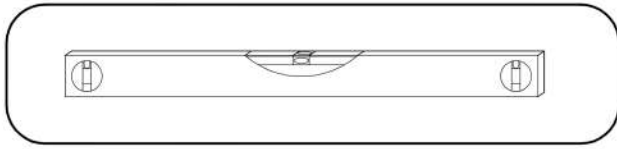
4

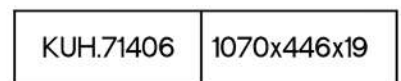
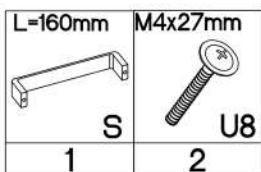
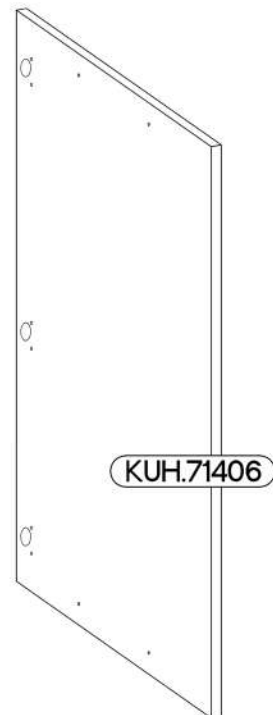
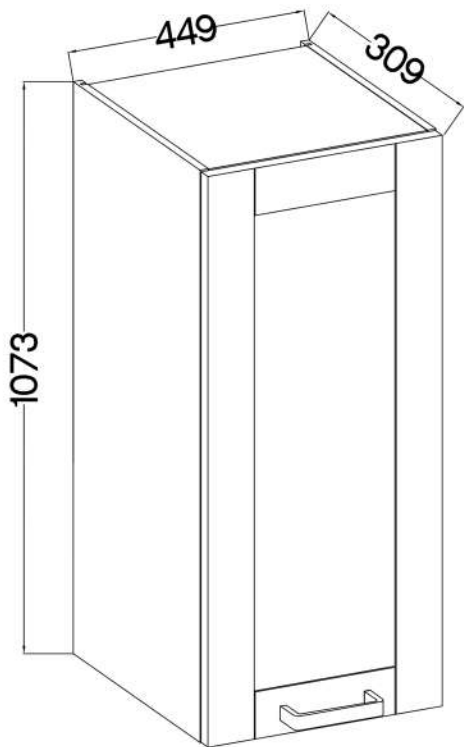
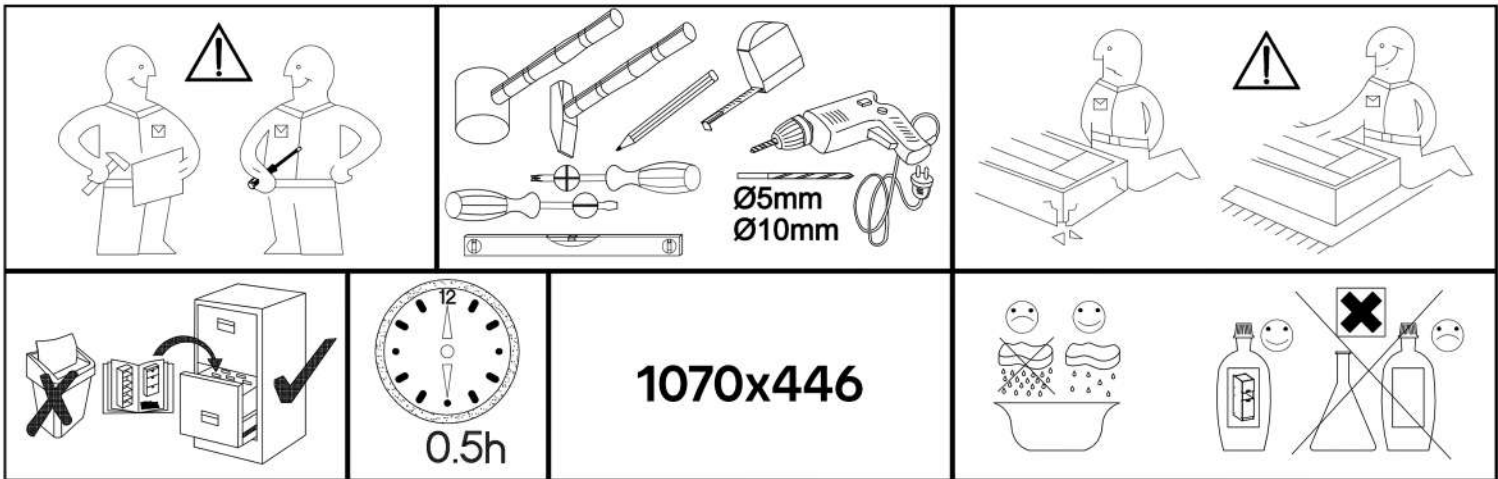


5

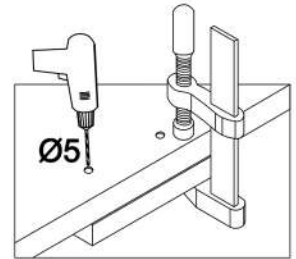
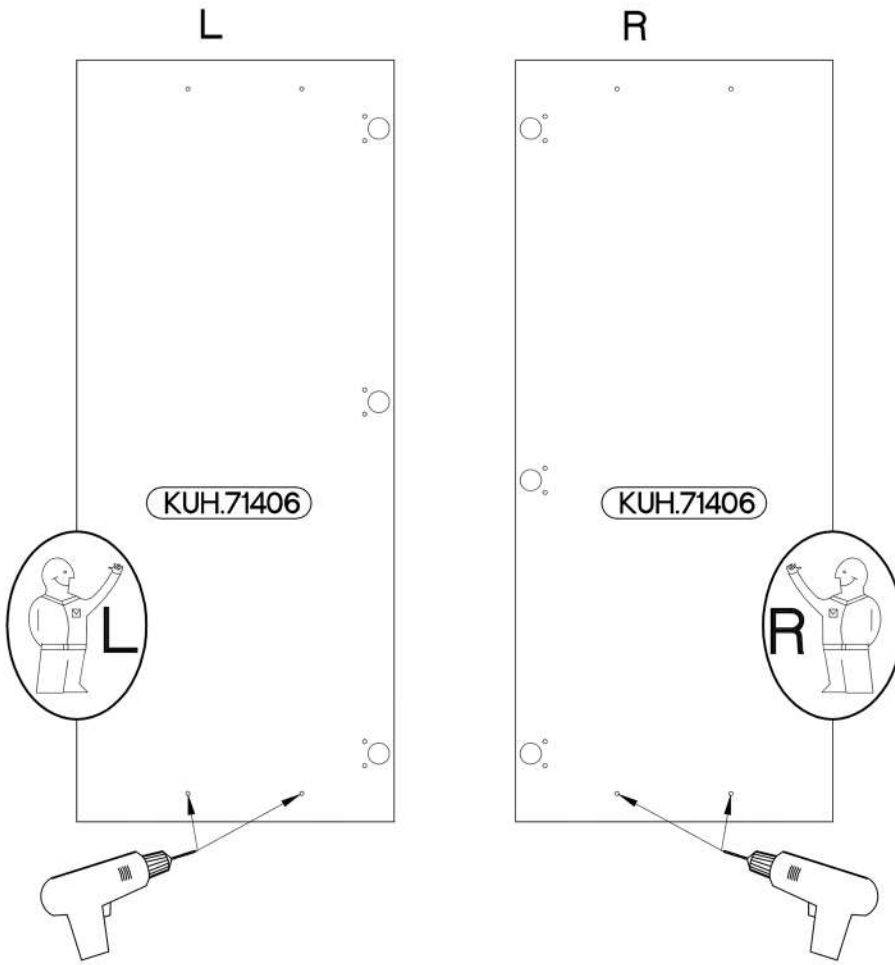


6





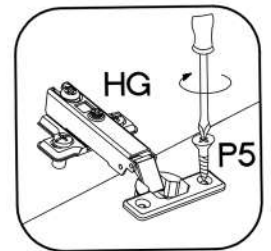
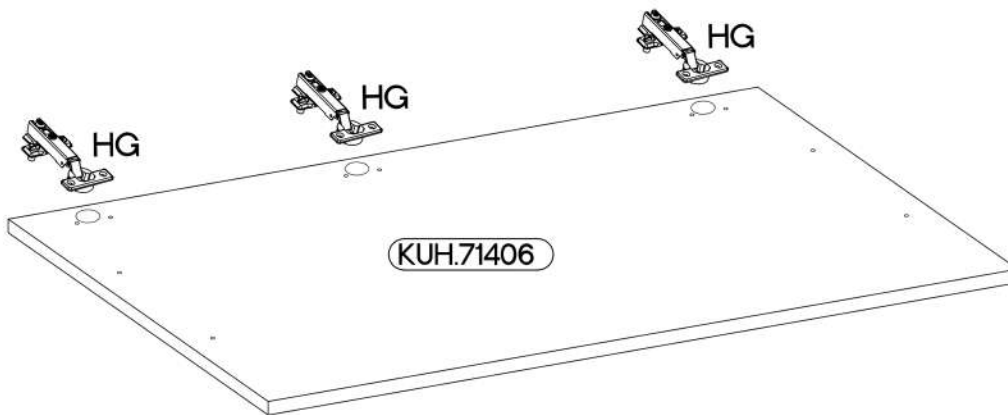


1





2

 HG 3	 P5 6
--	--



3

L=160mm	M4x27mm
	
S	U8
1	2

