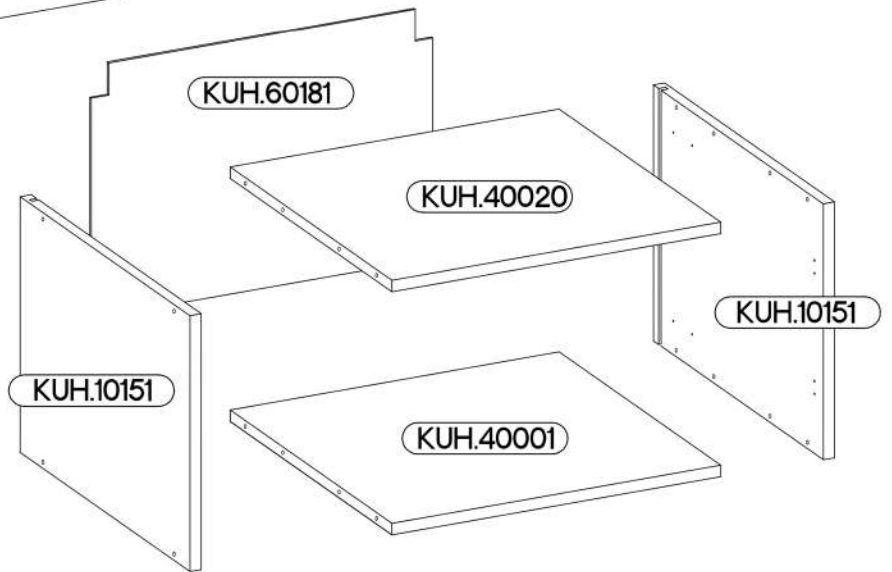
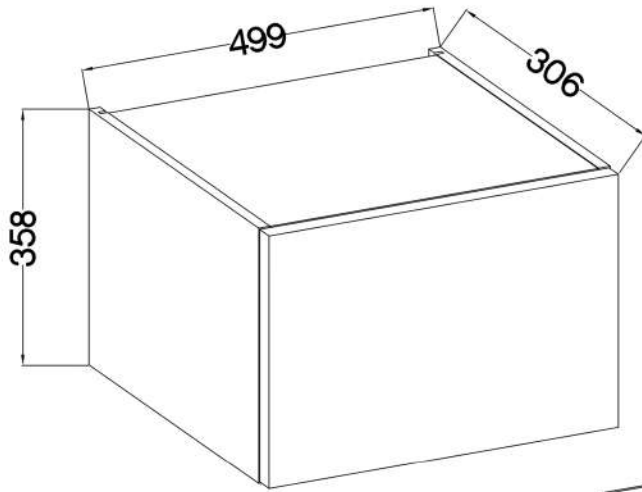


# ARSANY 50 GU-36 1F

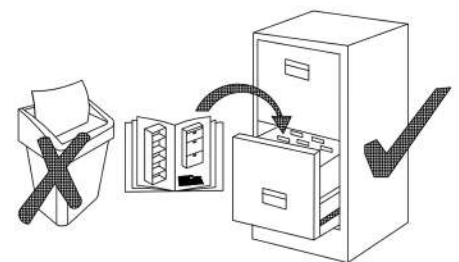


KUH.40001






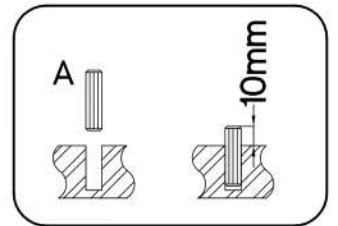
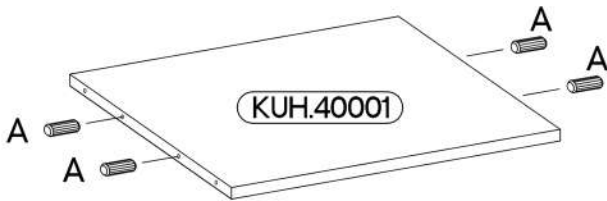
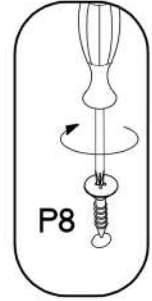
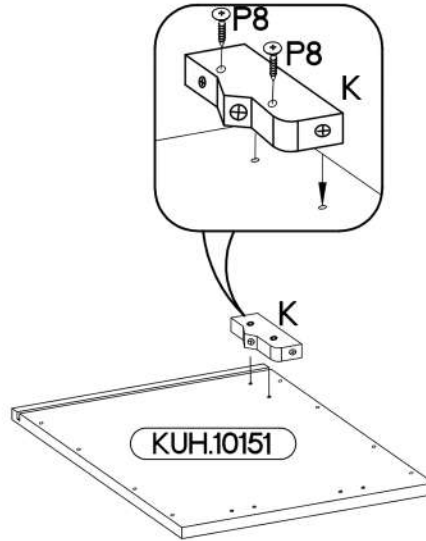
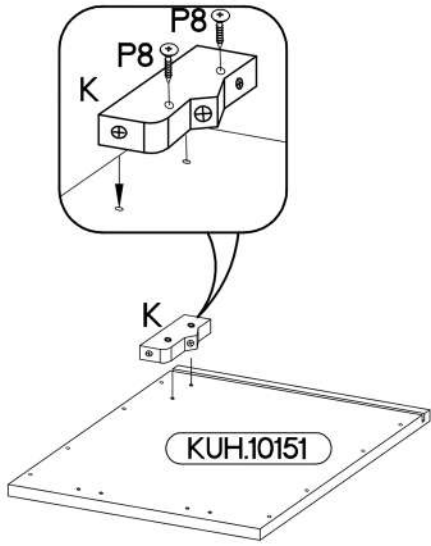
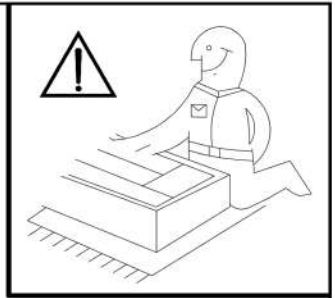
KUH.10151 x2	358x290x16
KUH.40001	467x276x16
KUH.40020	467x276x16
KUH.60181	353x485x2,5

 A 8	 B 8	 E1 8	 HG 2	 P5 4	 P7 8-10	 P8 4
 K 2	 K24 2	 O 1	 A 8	 B 8	 E1 8	 HG 2

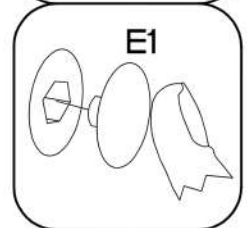
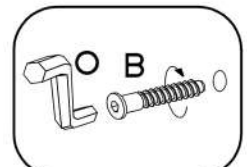
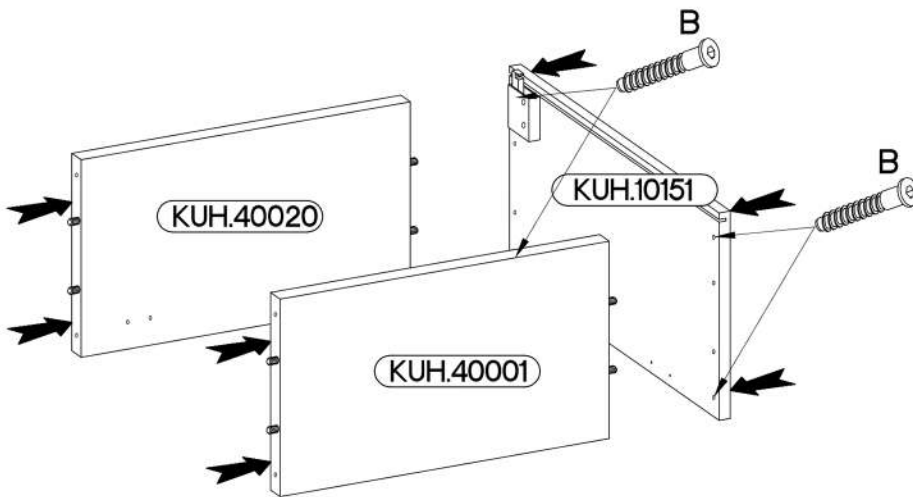





# 1

$\pm 8 \times 30 \text{mm}$  A 8	$\pm 4.0 \times 30 \text{mm}$  P8 4	 K 2
--	---	---






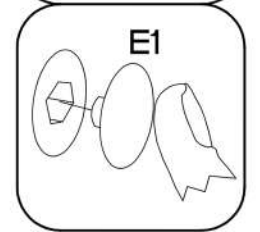
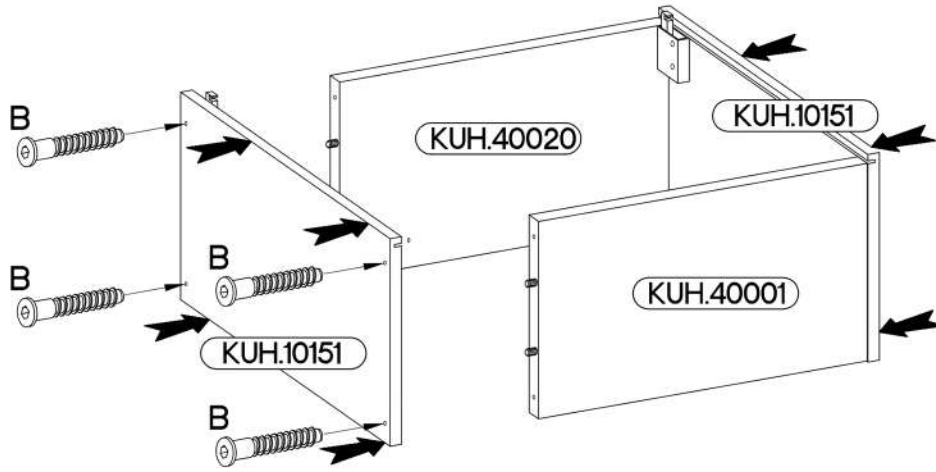
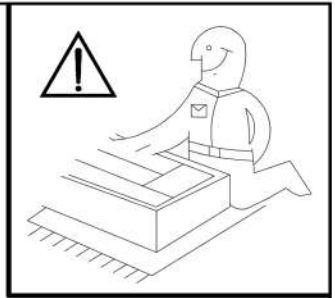
# 2




$6.4 \times 50 \text{mm}$  B 4	 O 1	 E1 4
--	---	--

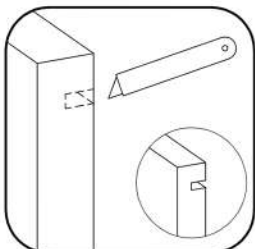
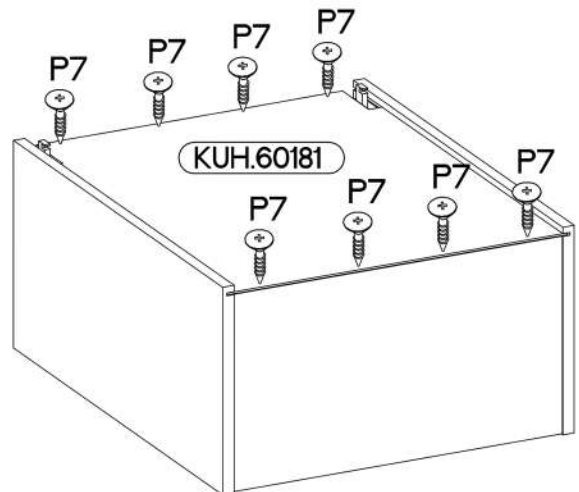
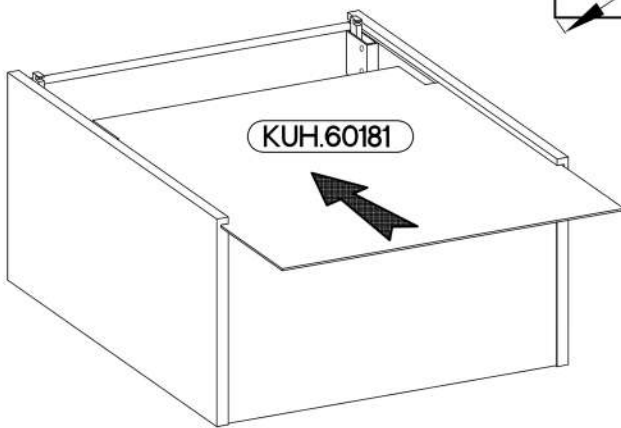
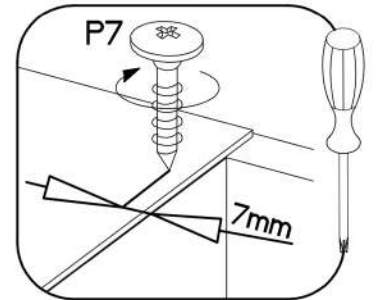
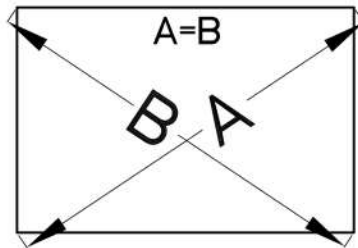
3

6,4 x 50mm		
		
B	O	E1
4	1	4

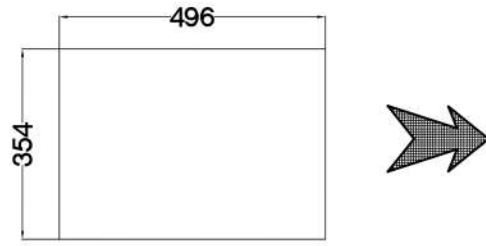


4

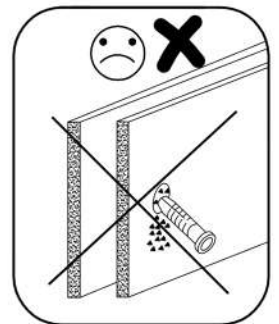
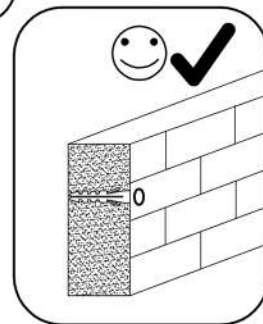
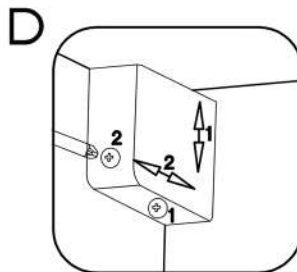
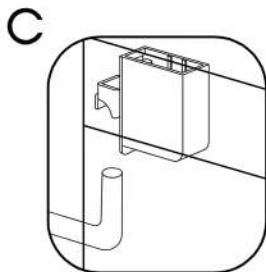
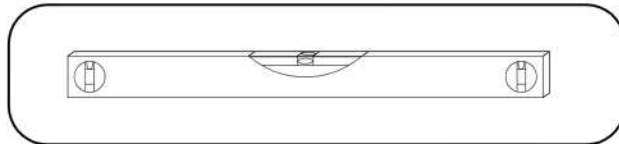
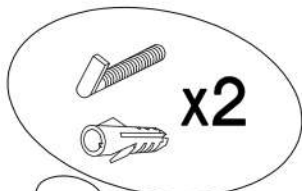
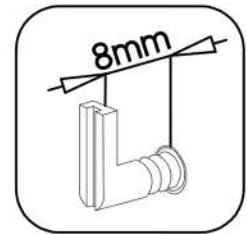
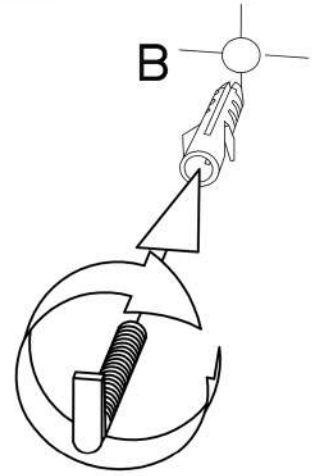
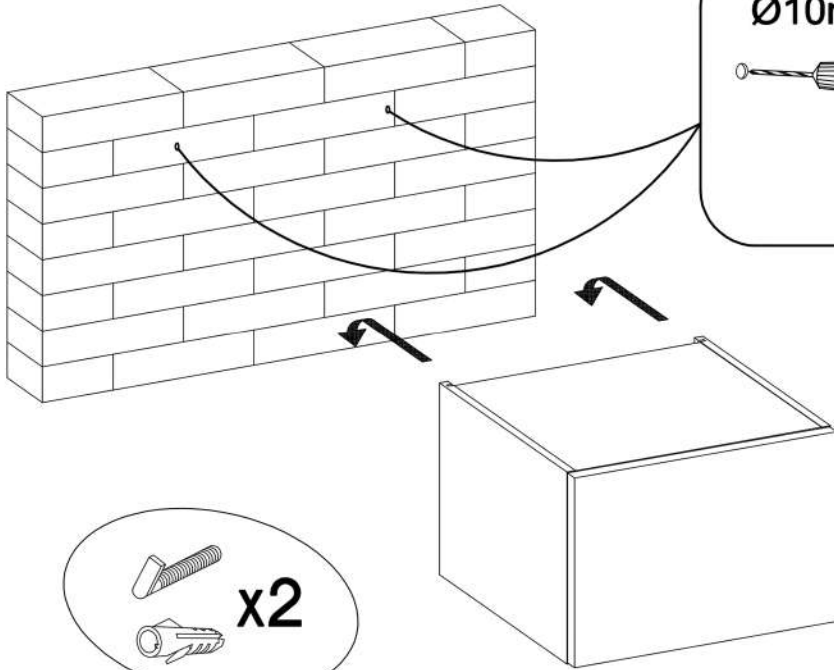
φ3.0x20mm	
	P7
8-10	

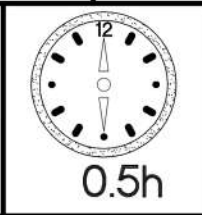
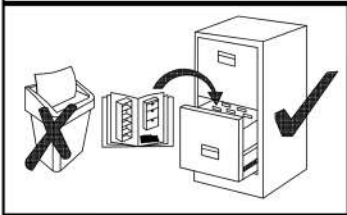
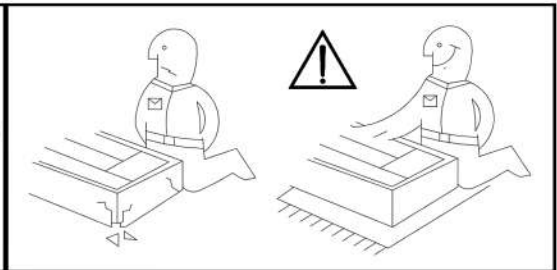
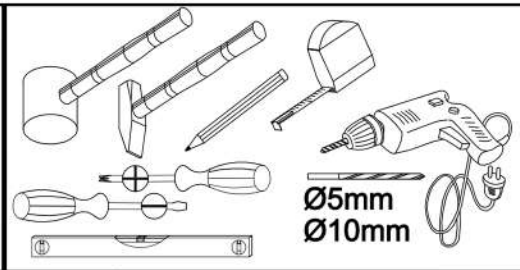
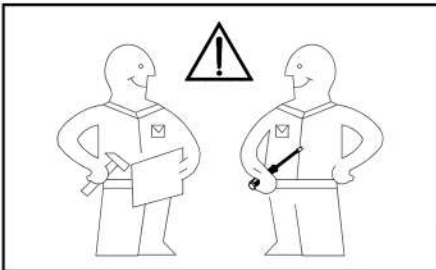


5

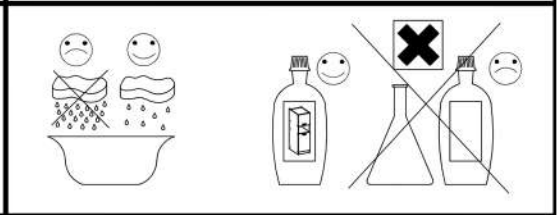


6

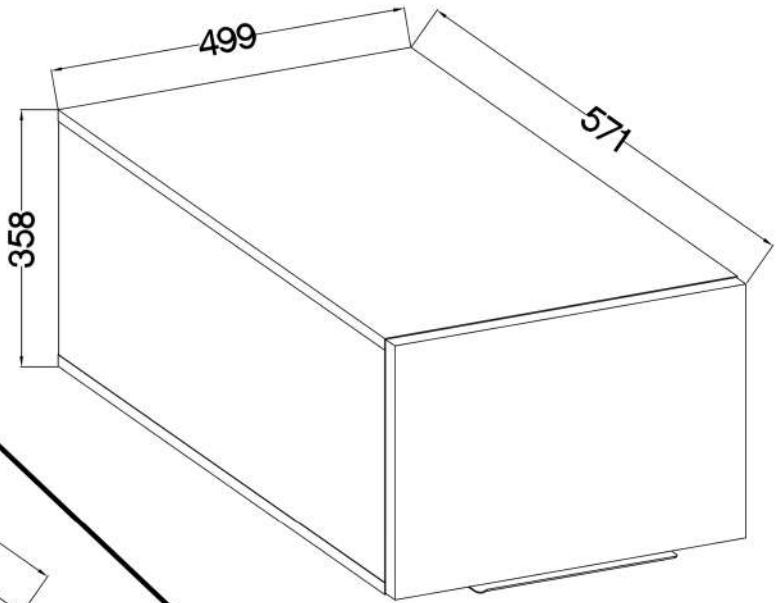
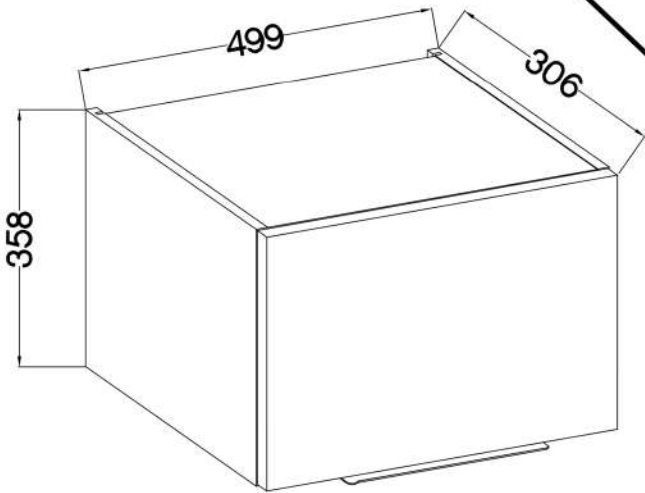




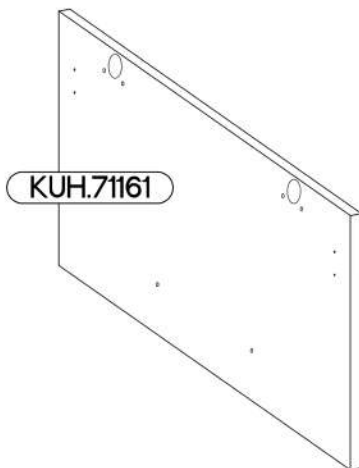
**354x496**



50 GU-36






50 NAGU-36

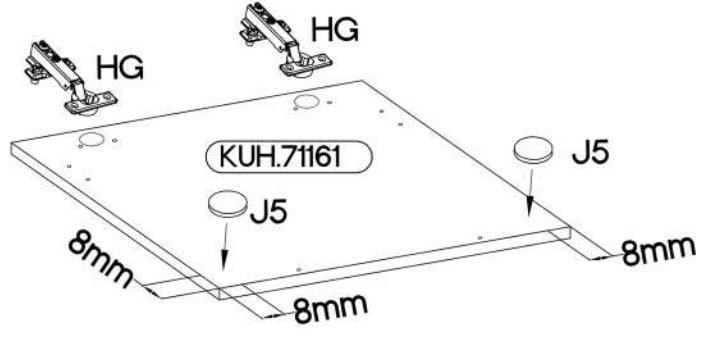
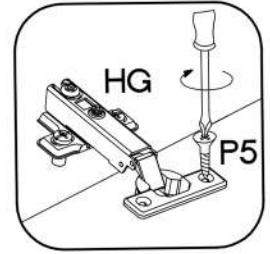


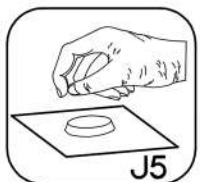
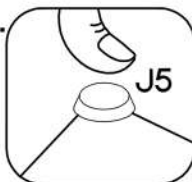
L=256mm	±7/2mm
S	J5
1	2

KUH.71161	355x496x16
-----------	------------

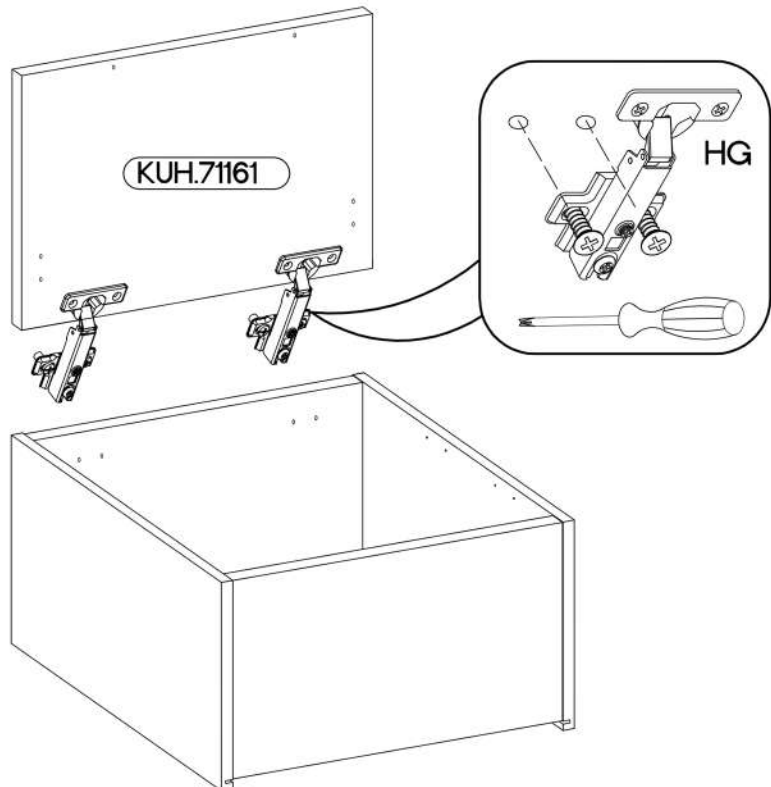
# 1

±35/0mm	±3.5x13mm	±7/2mm
 [CD] HG	 P5	 J5
2	4	2

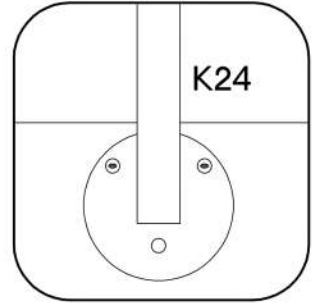
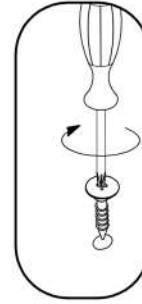
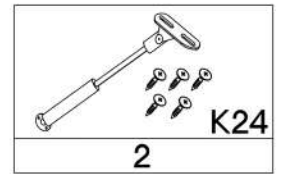
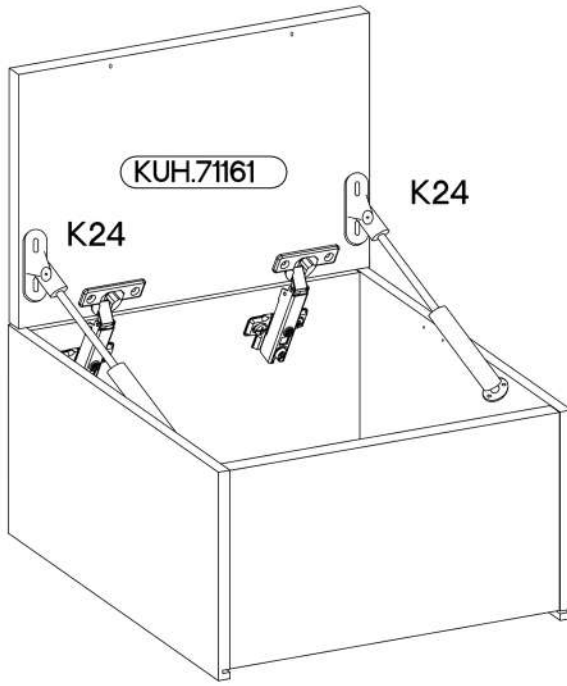


- 
- 

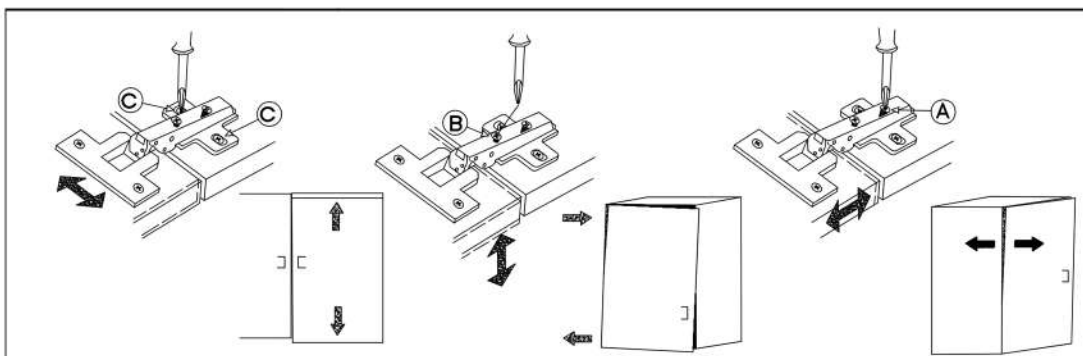
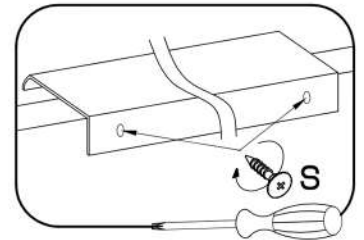
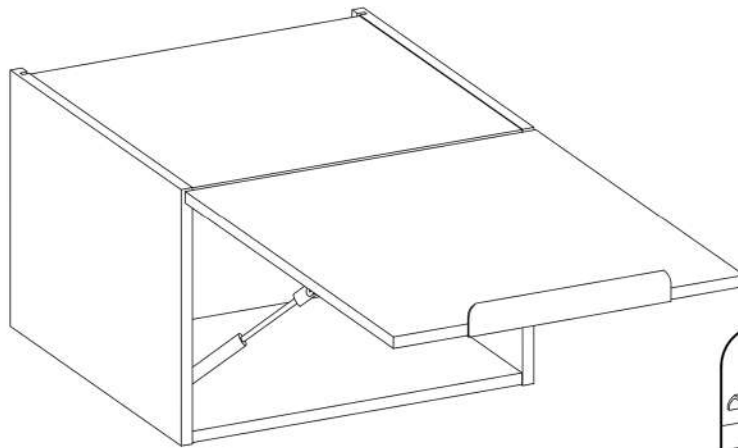
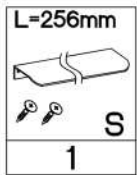
## 2 50 GU-36



3

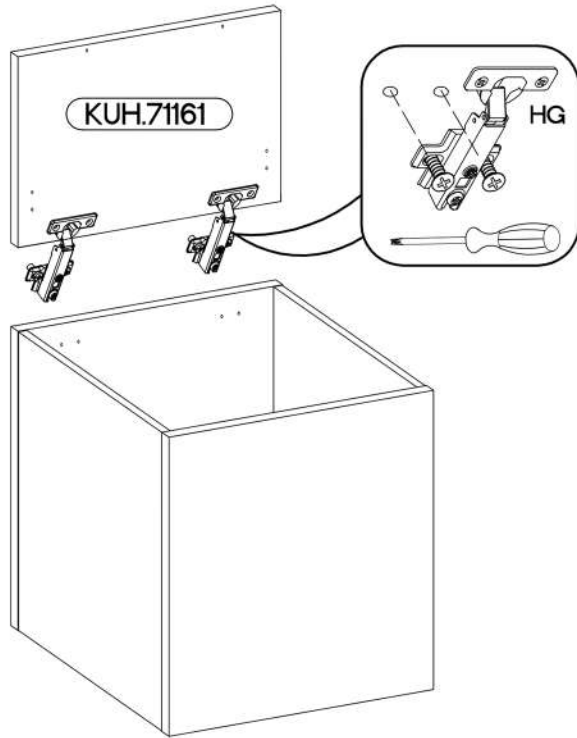


4

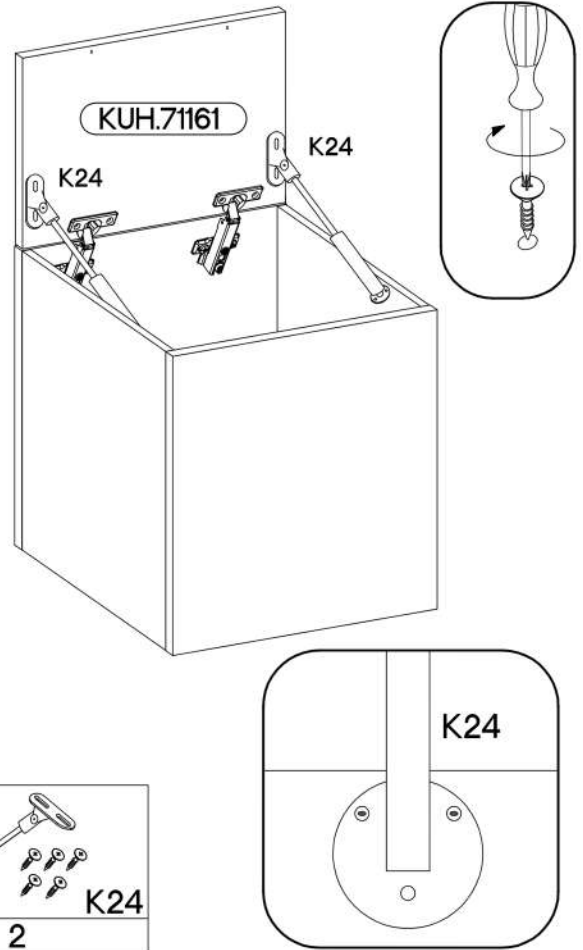


5

50 NAGU-36



6



7

