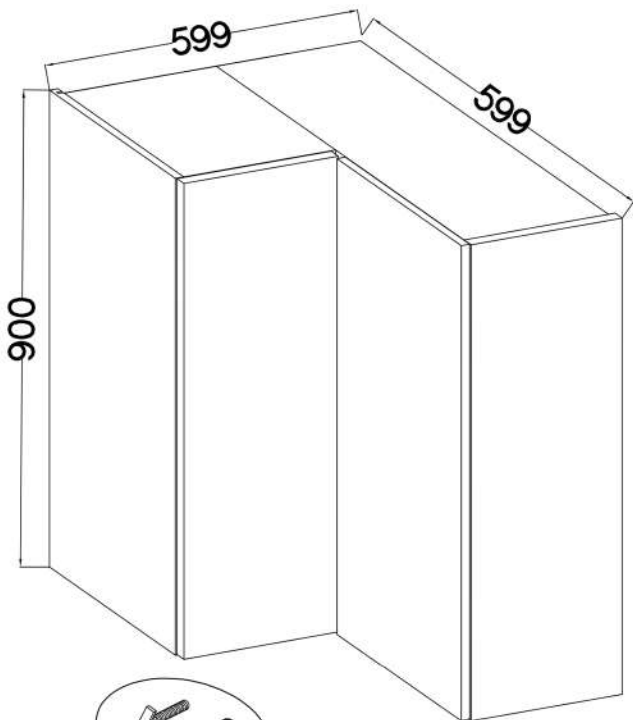
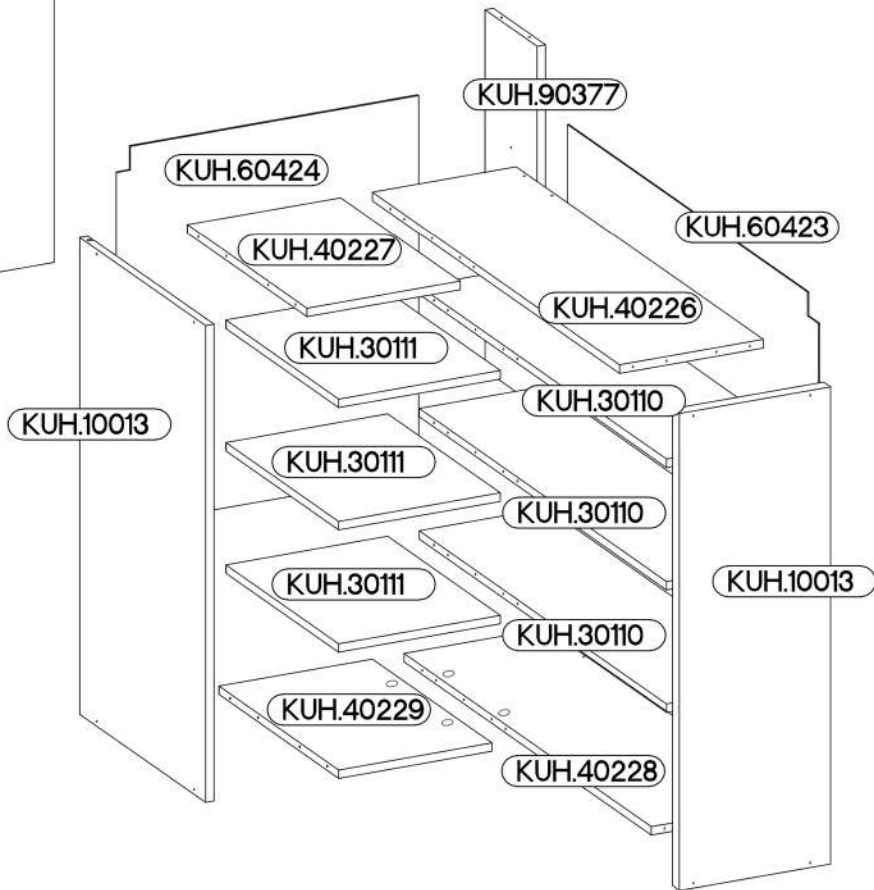
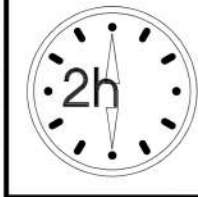


ARSANY 60x60 GN-90 2F 90°

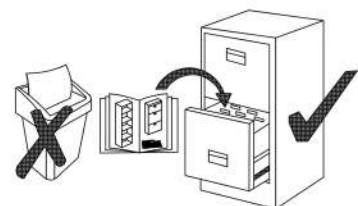


- KUH.30110
- KUH.30111
- KUH.40228
- KUH.40229









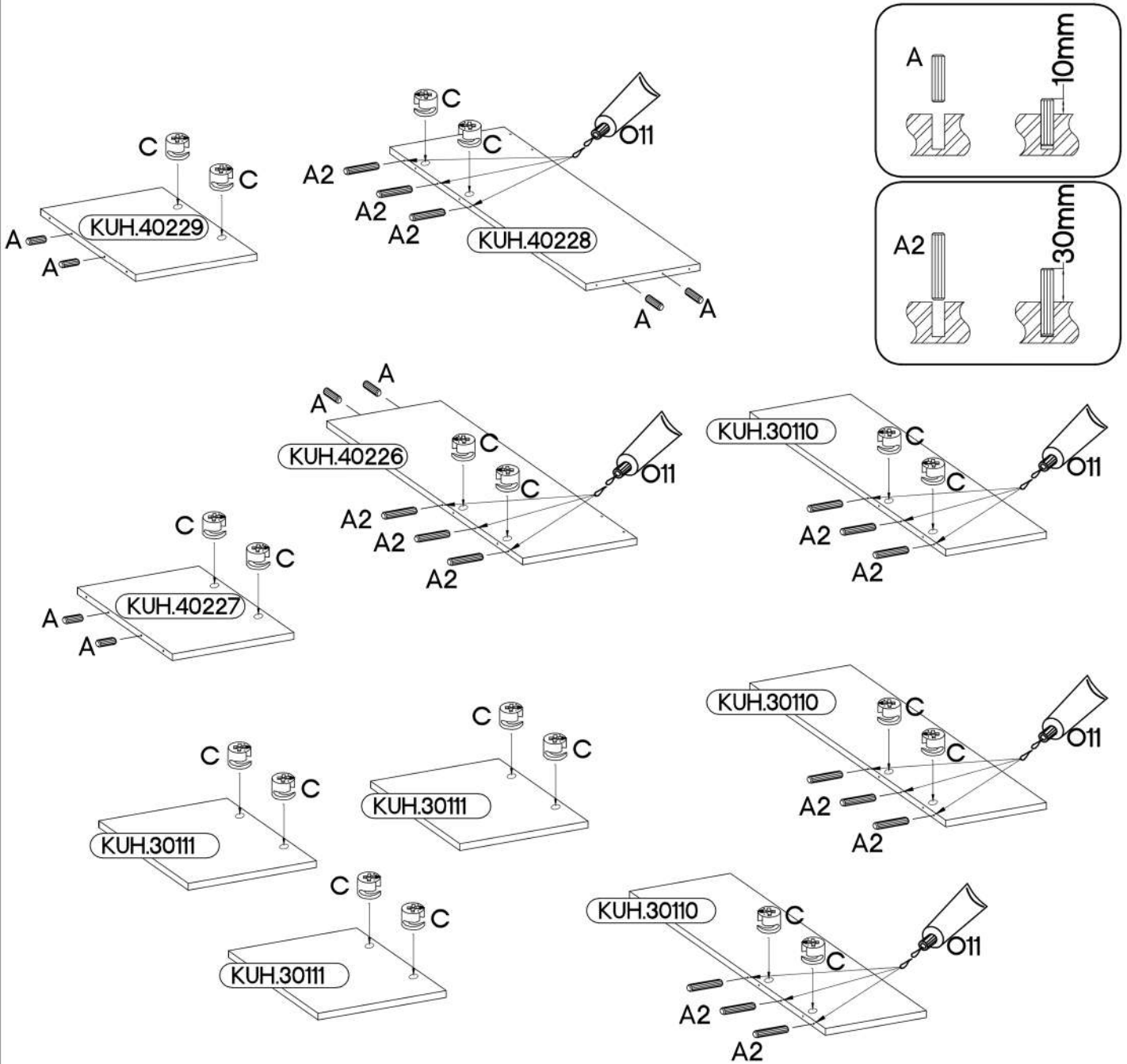
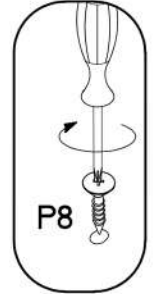
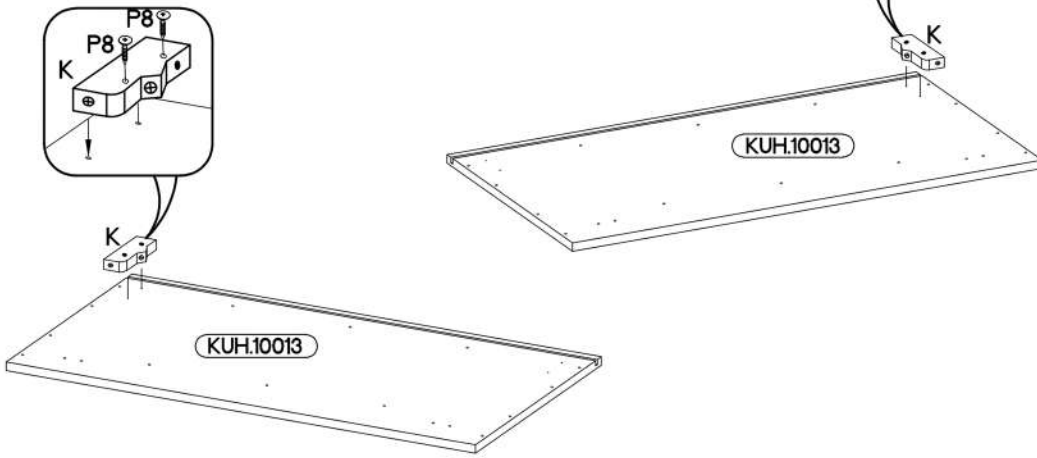
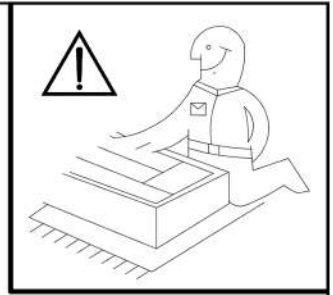
KUH.10013 x2	900x290x16
KUH.30110 x3	570x244x16
KUH.30111 x3	310x260x16
KUH.40426	570x276x16
KUH.40427	294x276x16
KUH.40428	570x276x16
KUH.40429	294x276x16
KUH.60426	896x578x2,5
KUH.60427	896x578x2,5
KUH.90377	866x120x16

A	A2	B	C	D12	E	O11	P5
8	15	12	20	10	20	1	8
E1	HG11	J	K	O	P11	P8	
12	4	15	2	1	30-35	4	





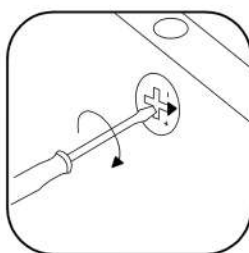
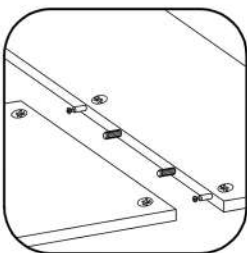
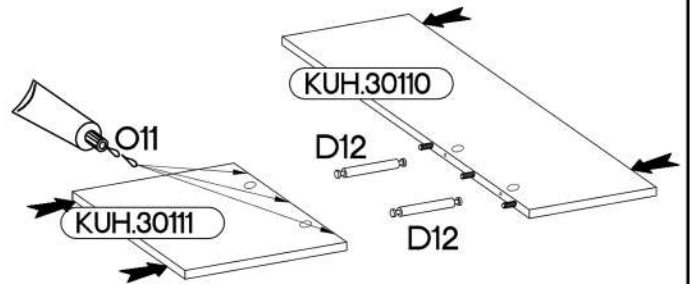
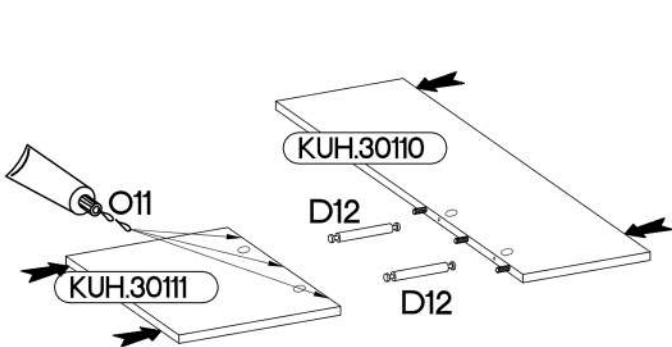
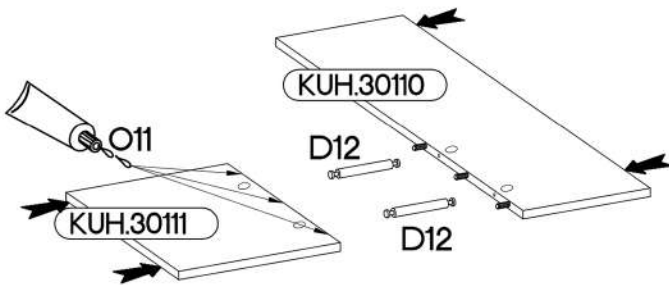
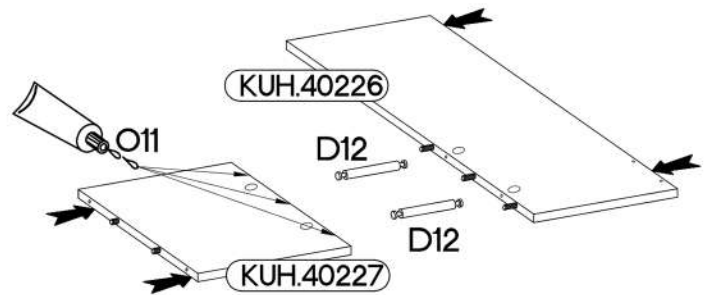
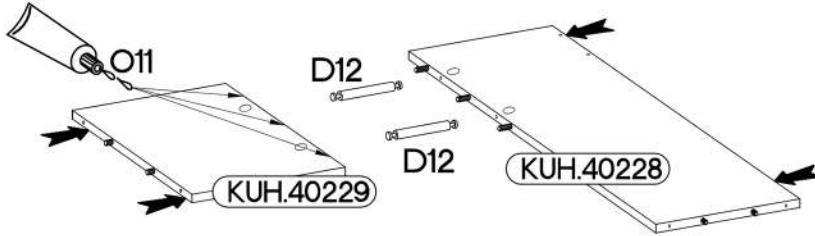
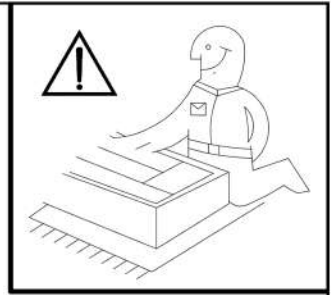
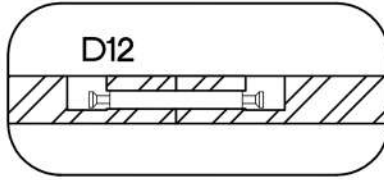
1

 +8x30mm A	 +8x60mm A2	 +15/12mm C	 +4.0x30mm P8	 K	 0,05 O11
8	15	20	4	2	1






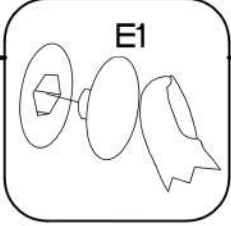
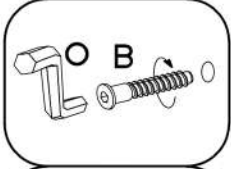
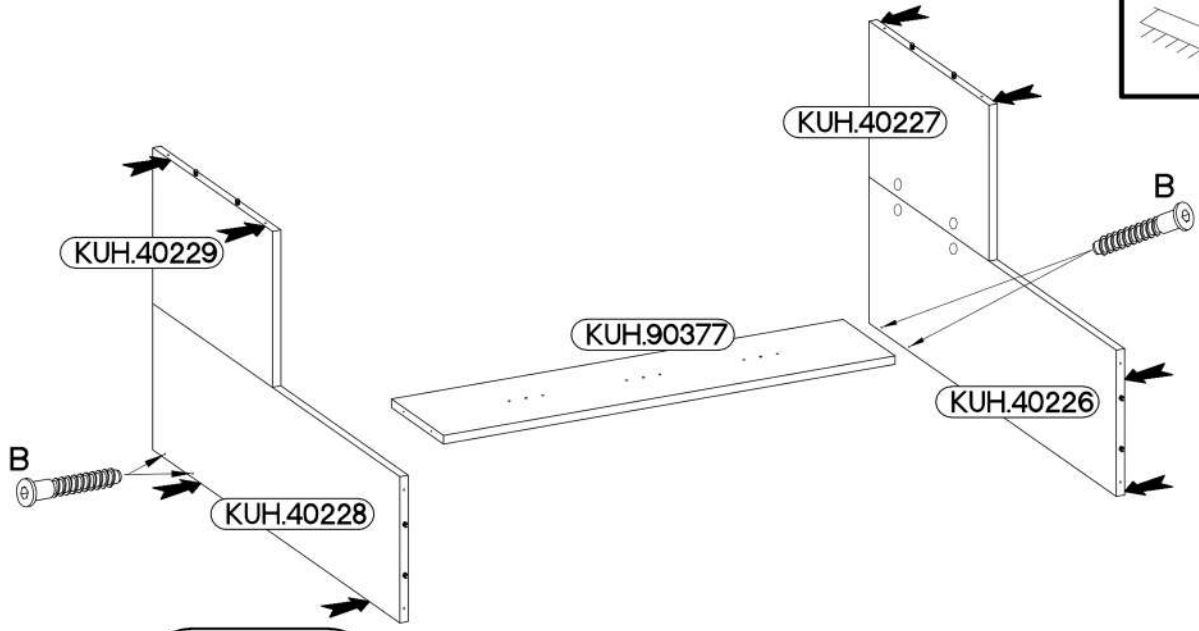
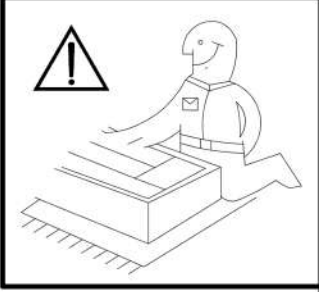
2

L=40mm 	0,05 
D12 10	O11 1

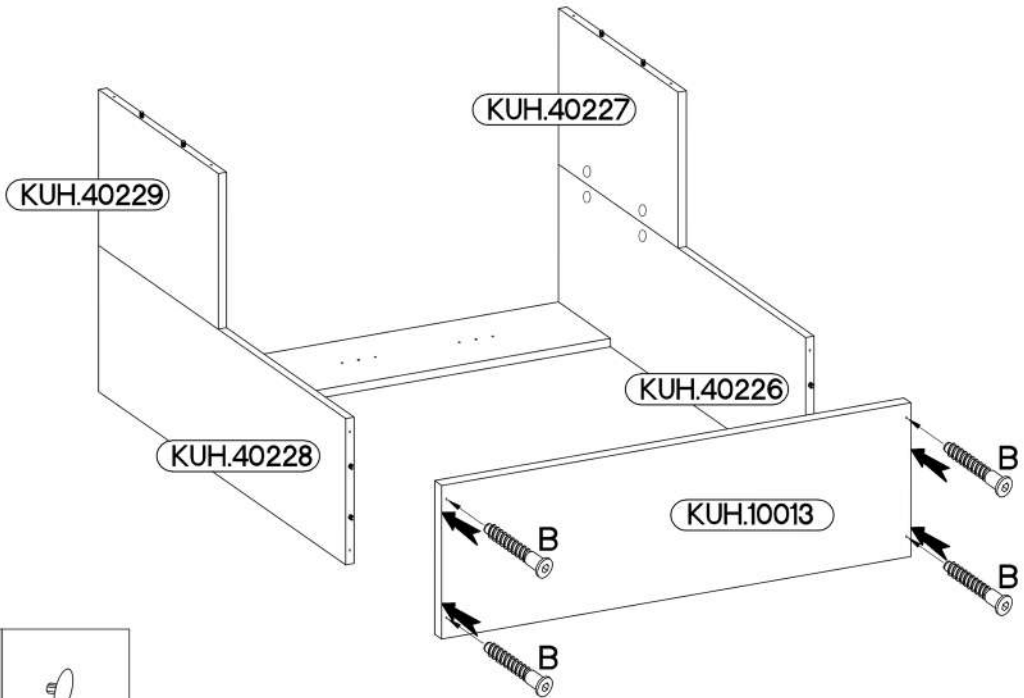





3

6,4 x 50mm		
		
B	O	E1
4	1	4






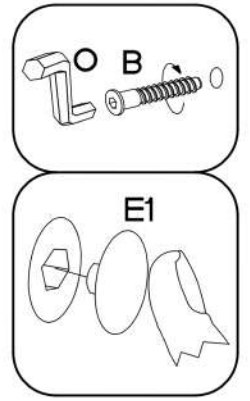
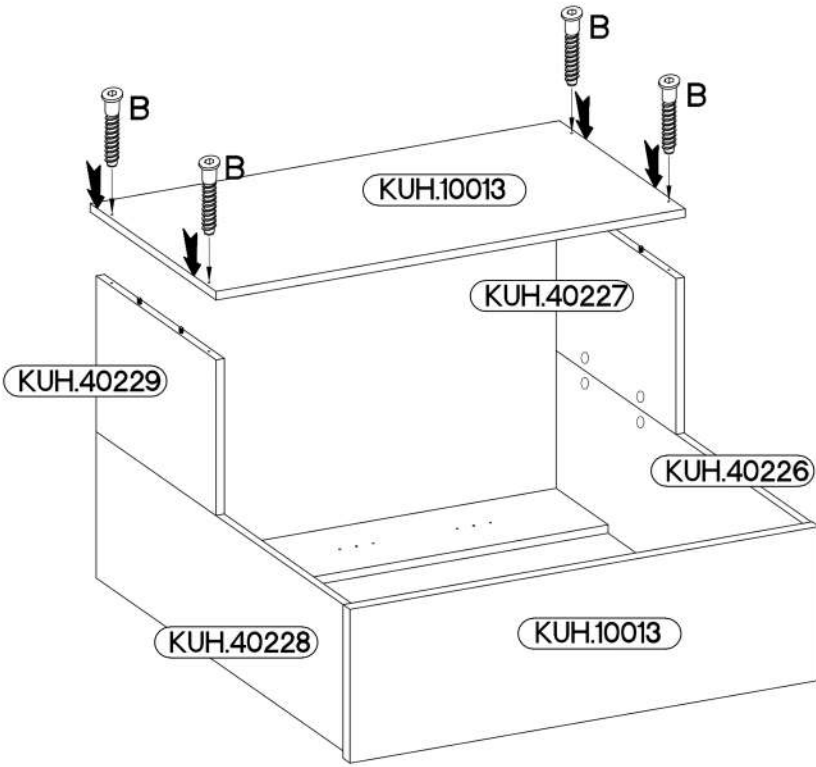
4





6,4 x 50mm		
		
B	O	E1
4	1	4

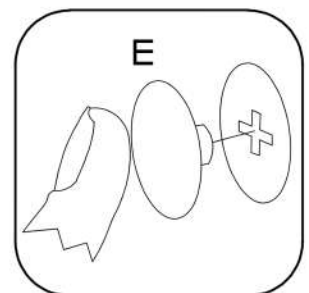
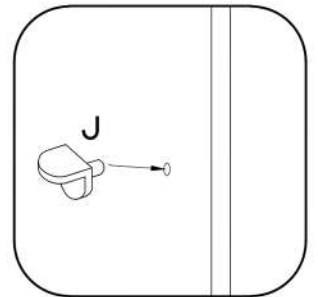
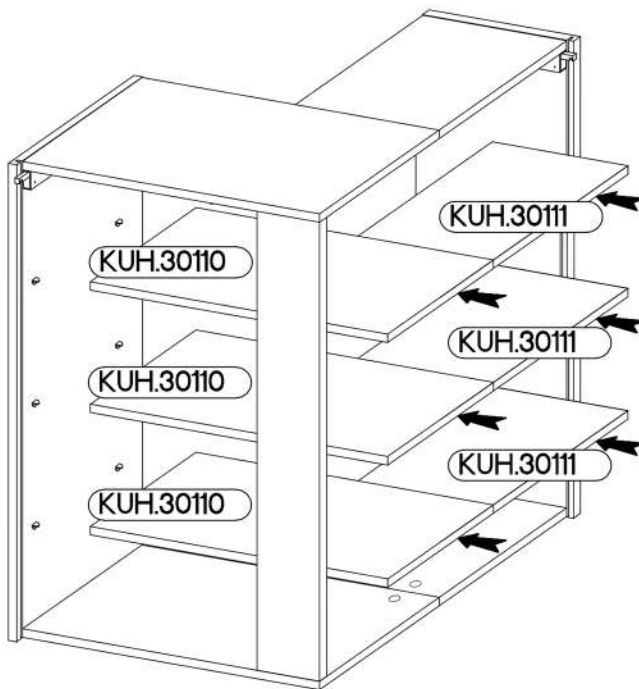
5

6,4 x 50mm			
	B	O	E1
	4	1	4



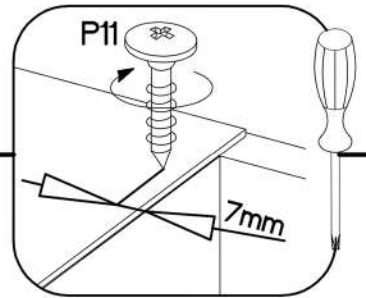
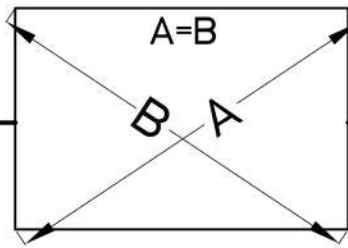
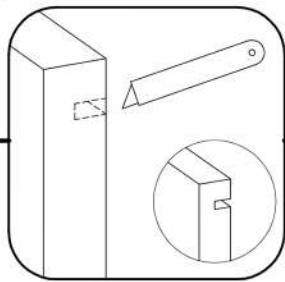
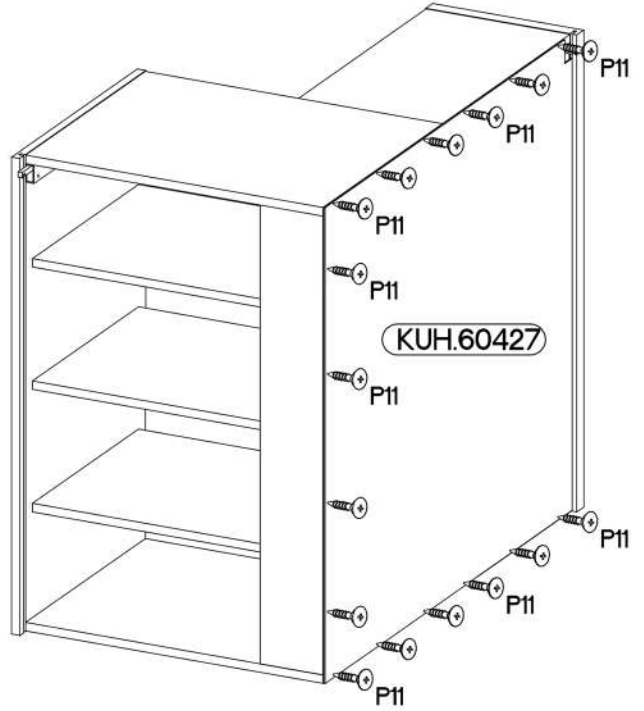
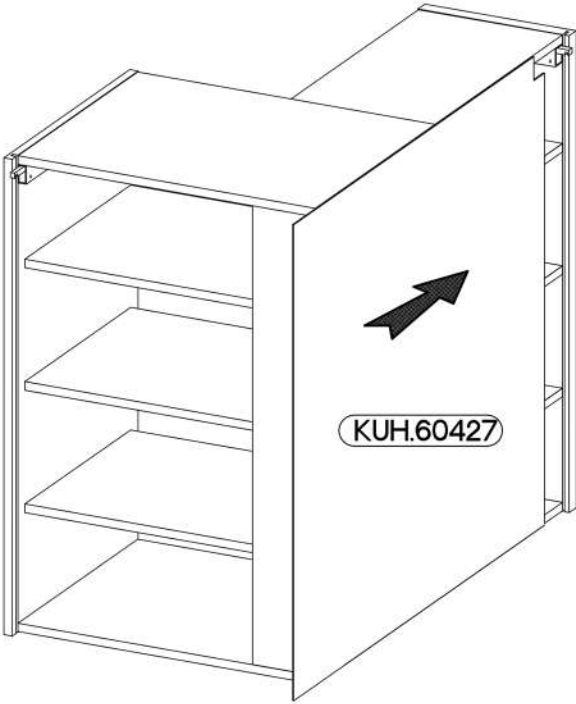
6

±5/19mm		
	J	E
	15	20



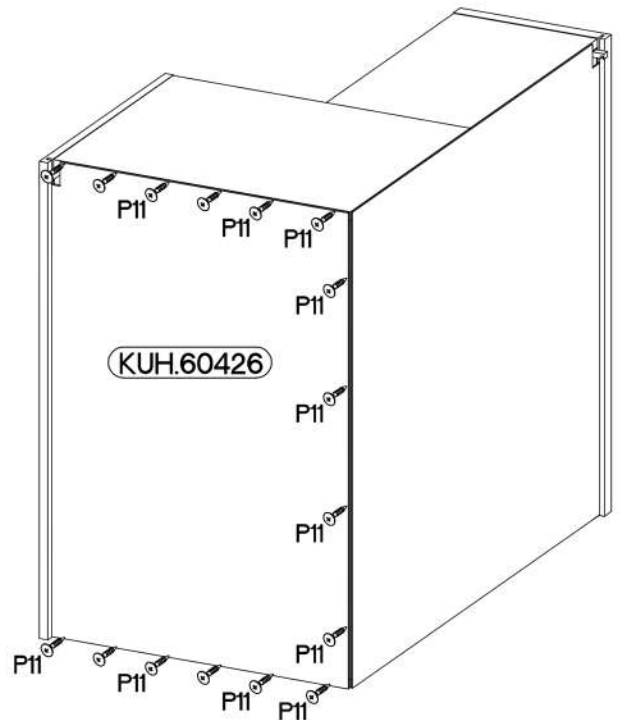
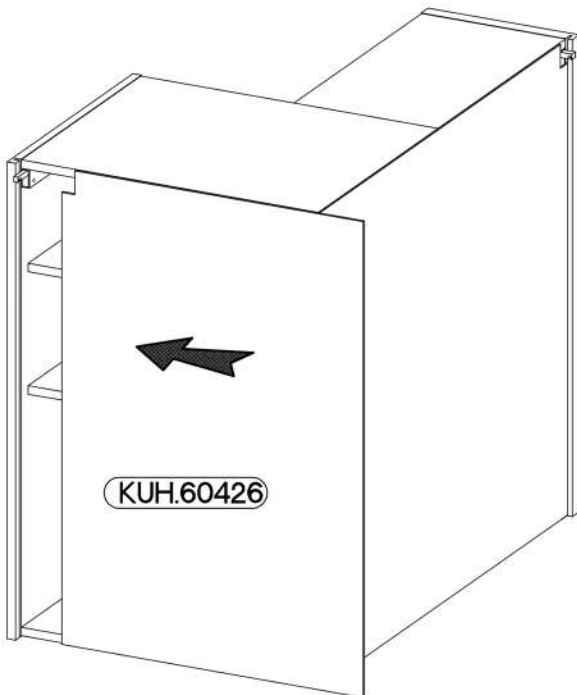
7

±3.0x16mm
P11
15

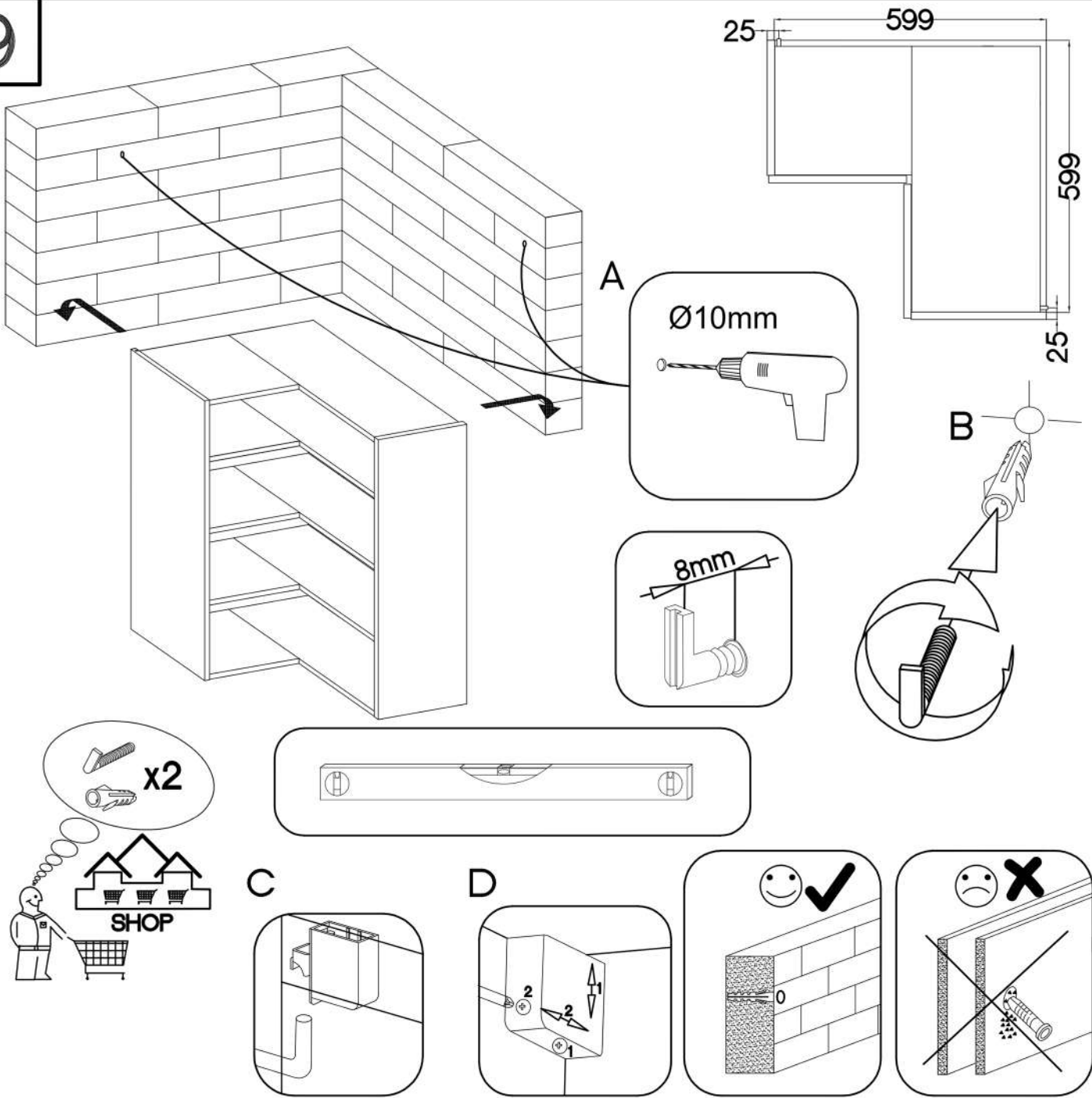


8

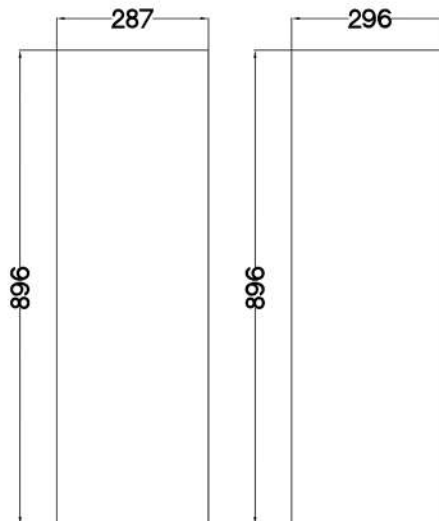
±3.0x16mm
P11
15

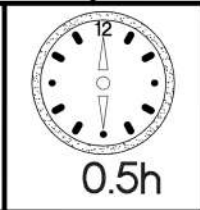
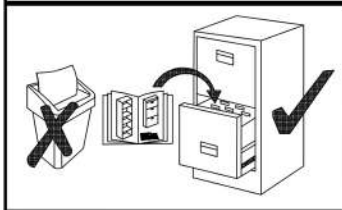
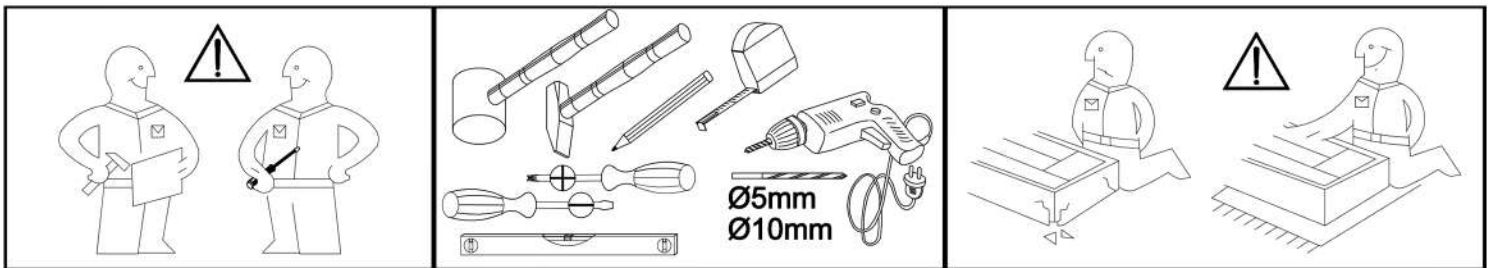


9

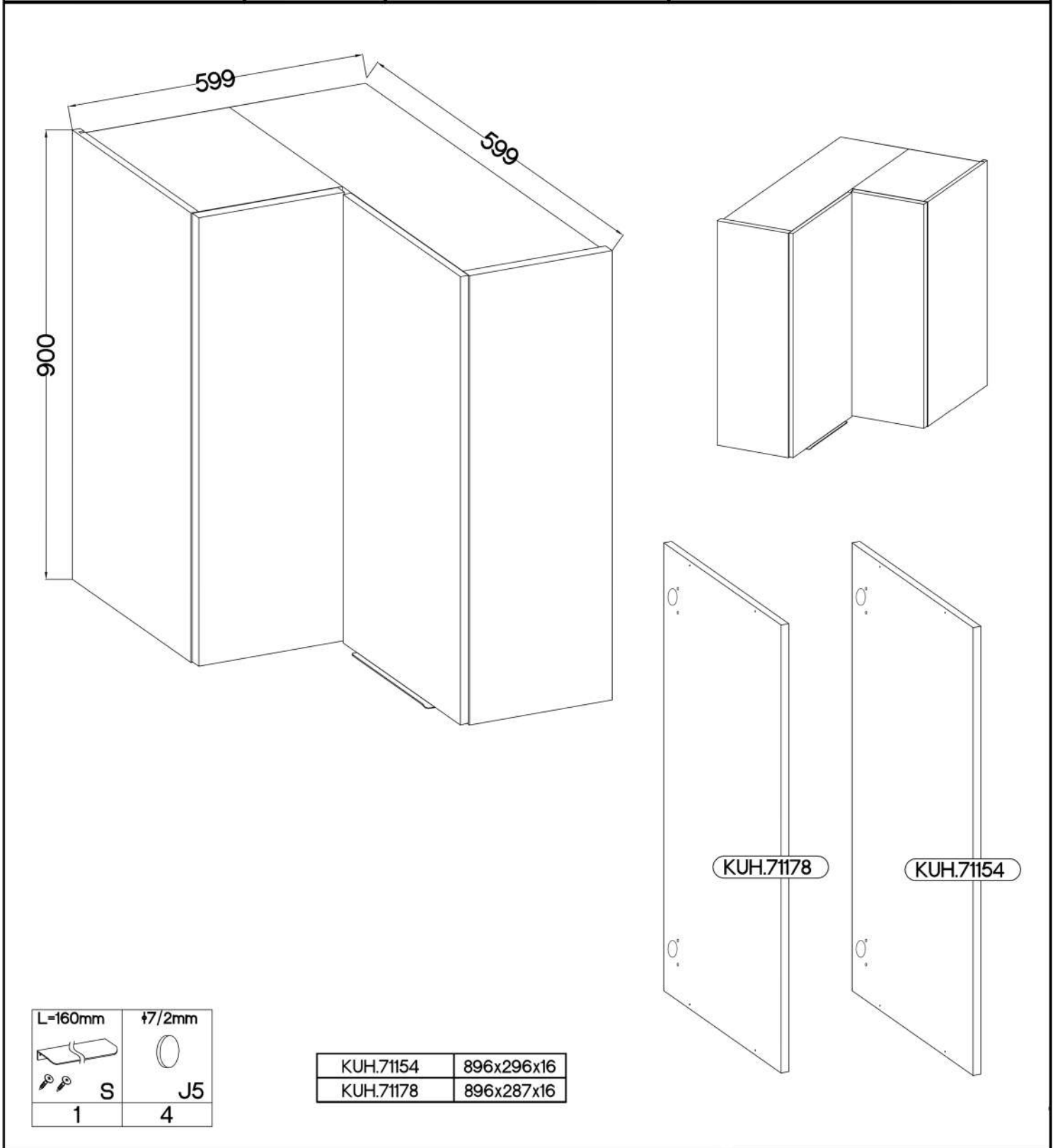
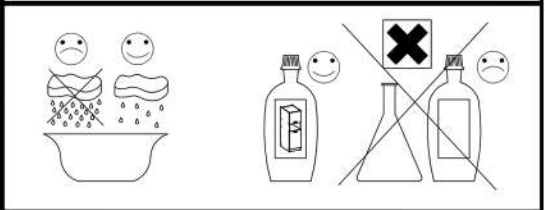


10







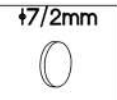
60x60 GN-90 2F

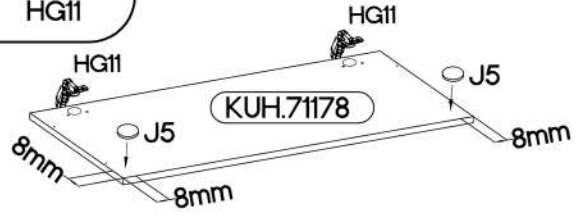
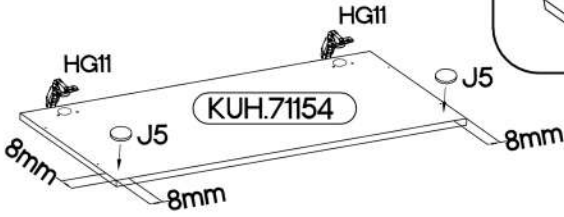
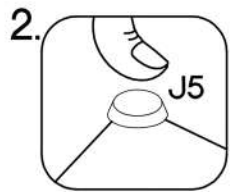
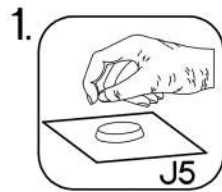
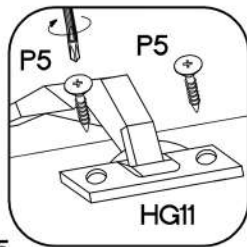


L=160mm	±7/2mm
S	J5
1	4

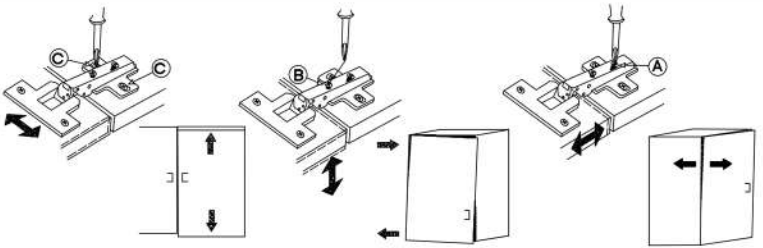
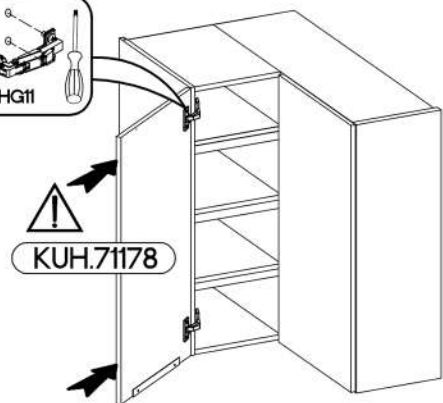
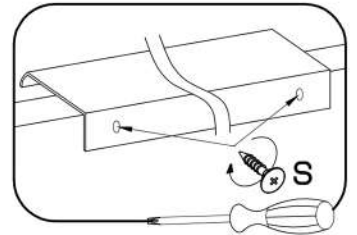
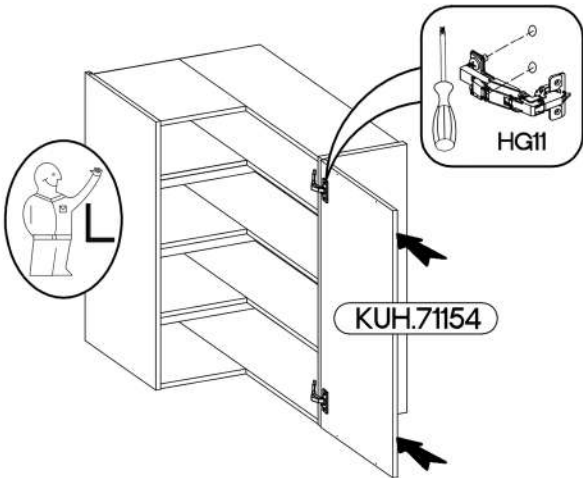
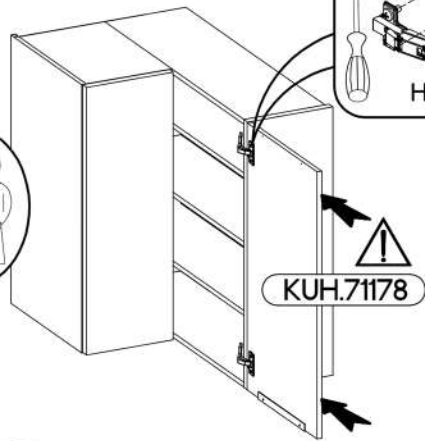
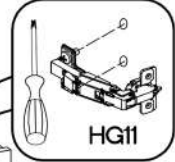
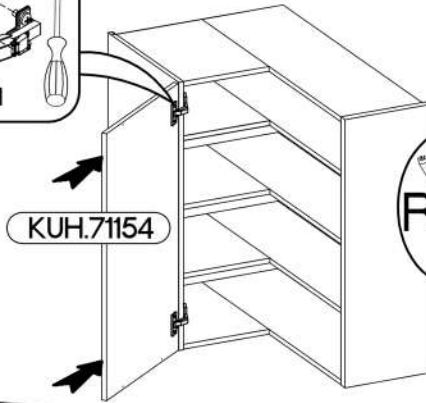
KUH.71154	896x296x16
KUH.71178	896x287x16

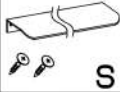
1

 +35/175+3.5x13mm [CD] HG11 4	 P5 8	 +7/2mm J5 4
---	---	---



2



L=160mm

S
1