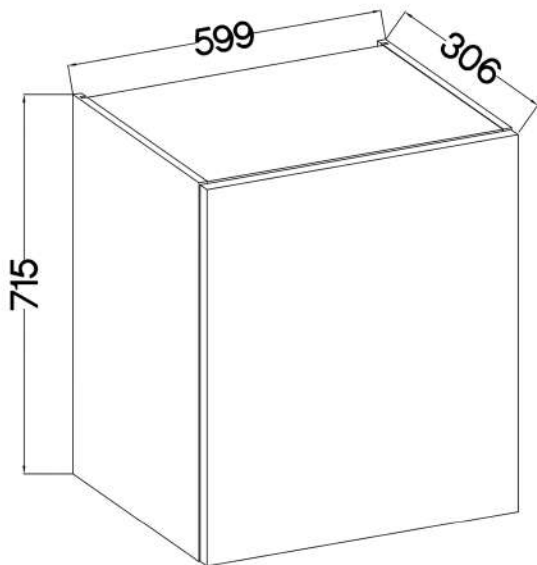
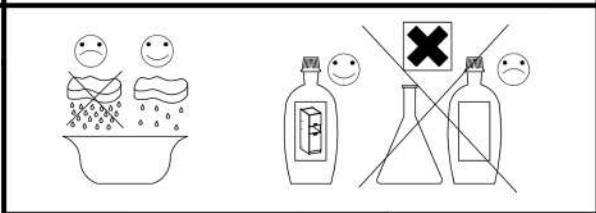
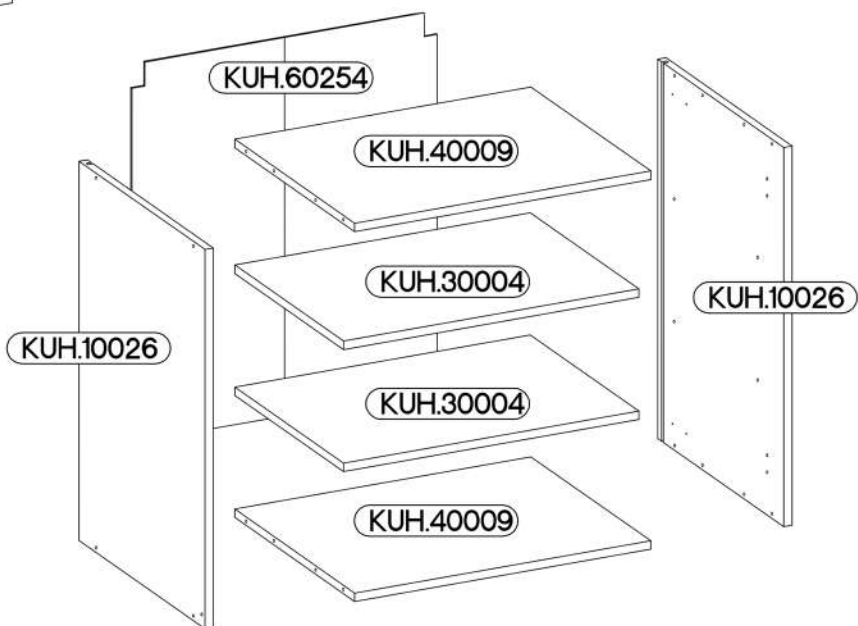
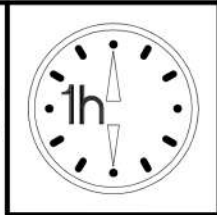


ARSANY 60 G-72 1F

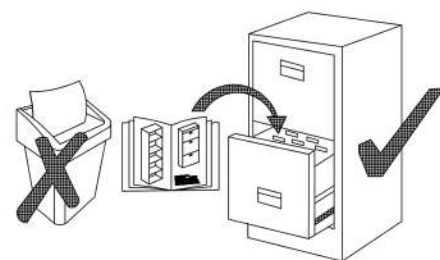


KUH.30004
KUH.40009






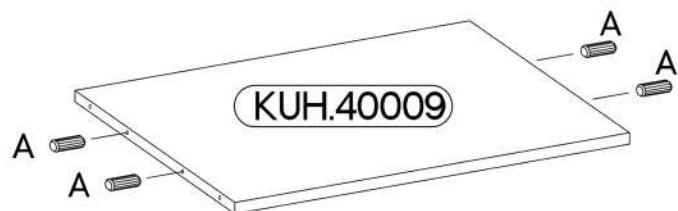
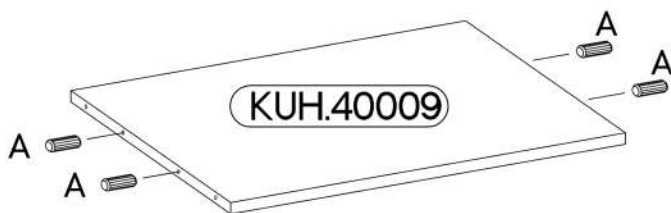
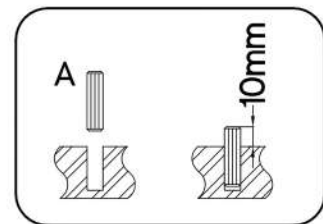
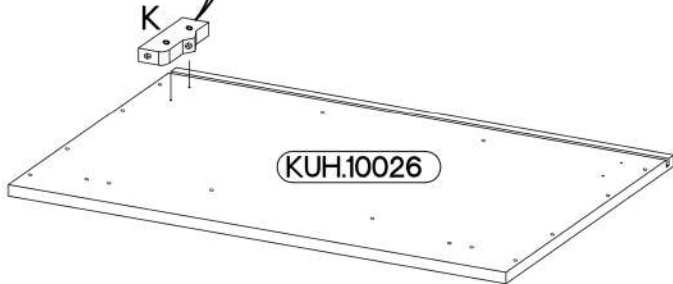
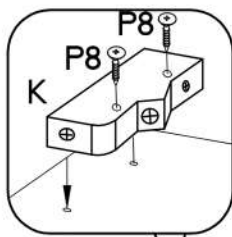
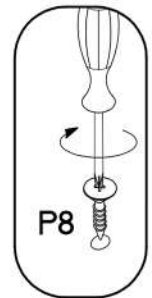
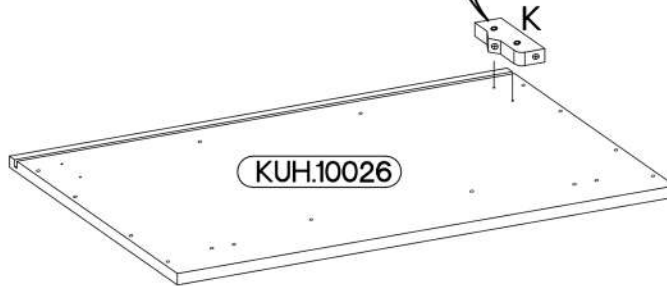
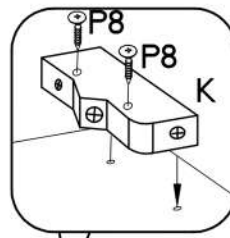
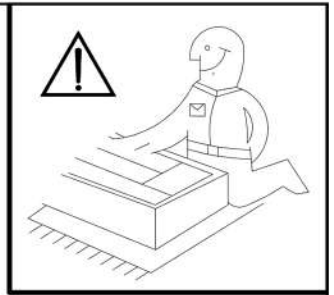
KUH.10026 x2	715x290x16
KUH.30004 x2	566x250x16
KUH.40009 x2	567x276x16
KUH.60254	713x585x2,5

 A 8	 B 8	 E1 8	 HG 2	 J 8	 K 2	 O 1	 P5 4	 P7 8-10	 P8 4
-------------------	-------------------	--------------------	--------------------	-------------------	-------------------	-------------------	--------------------	-----------------------	--------------------






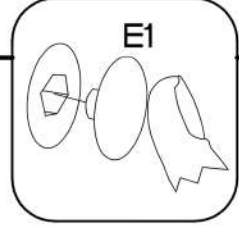
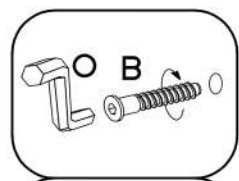
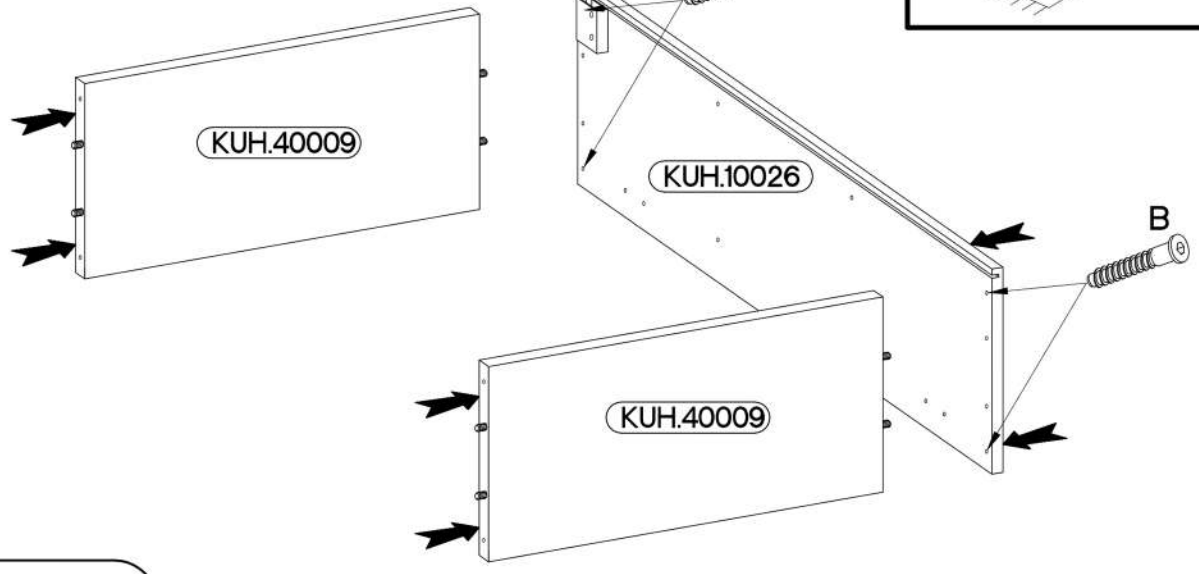
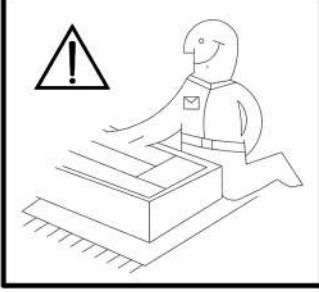
1

 +8x30mm A	 +4.0x30mm P8	 K
8	4	2

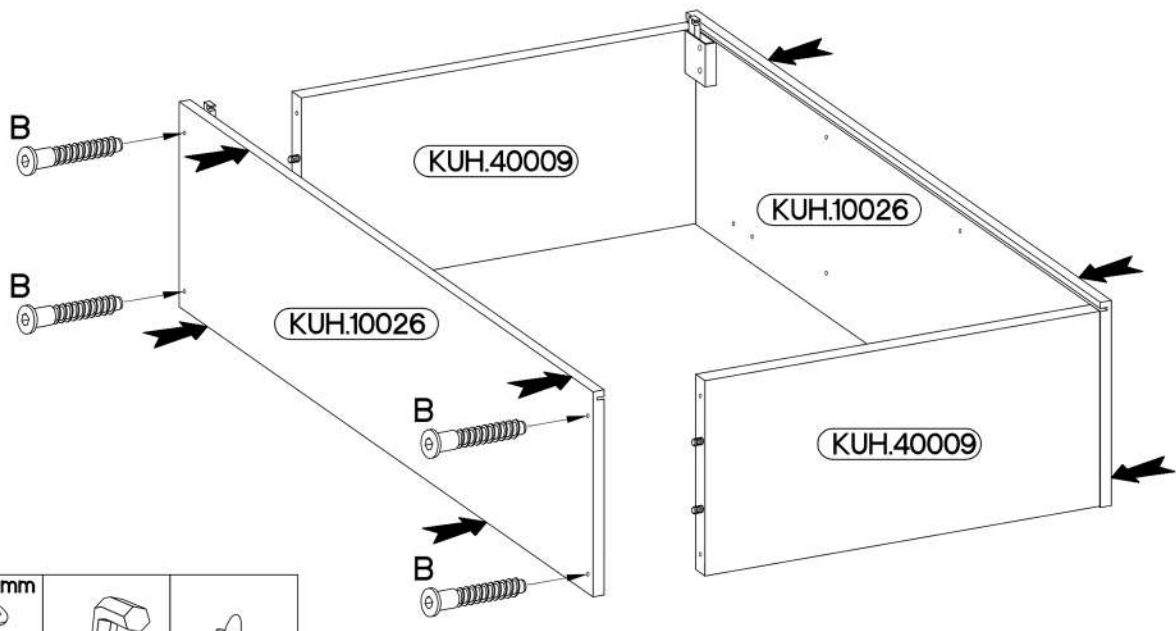





2

6,4 x 50mm		
		
B	O	E1
4	1	4

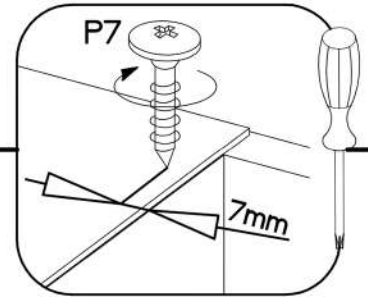
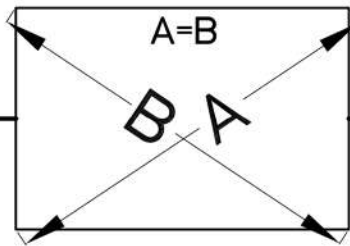
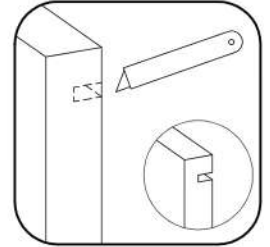
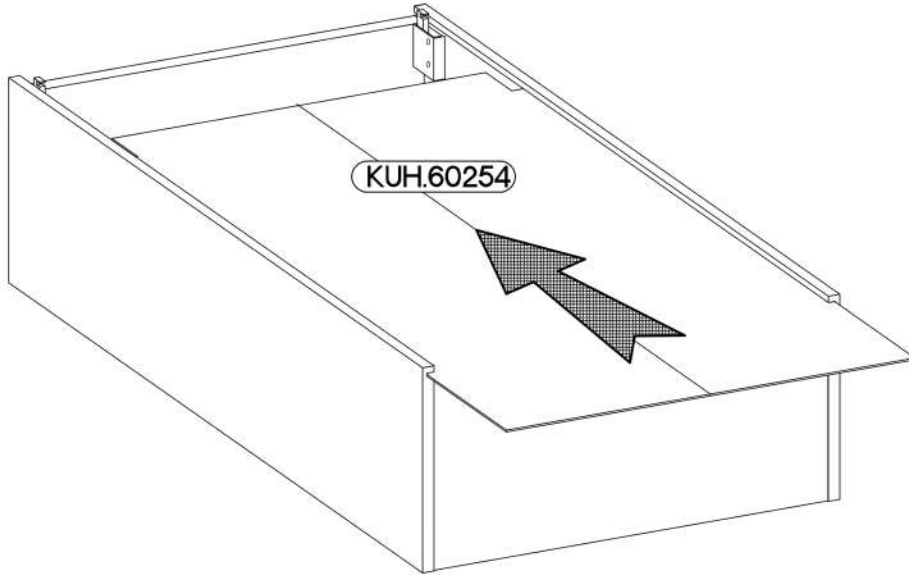
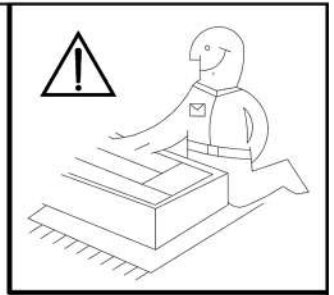


3

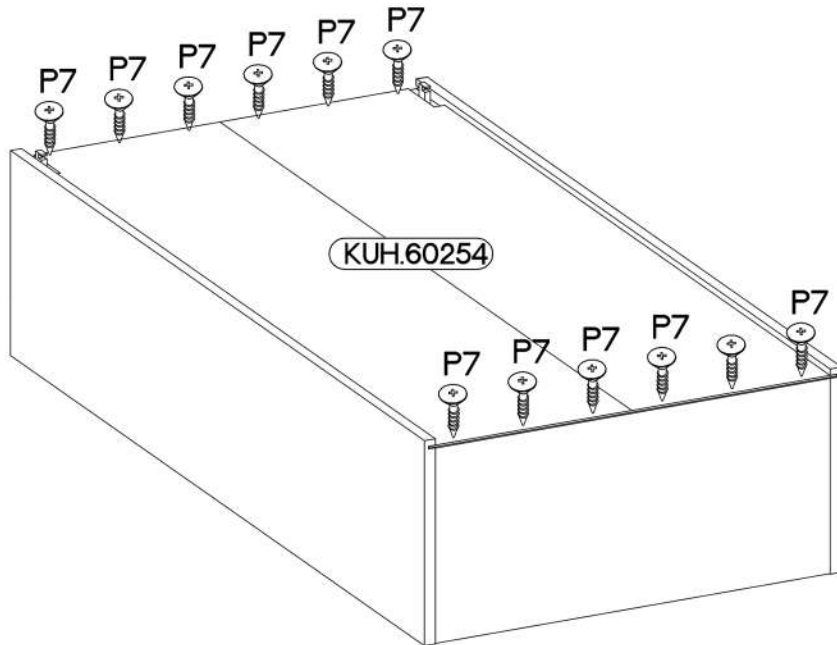
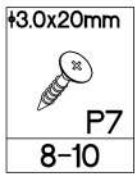


6,4 x 50mm		
		
B	O	E1
4	1	4

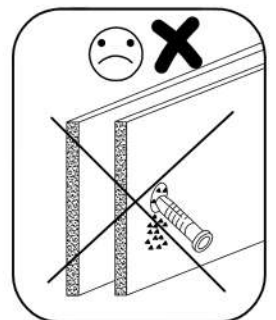
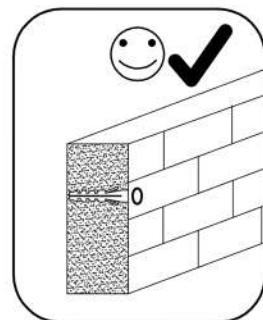
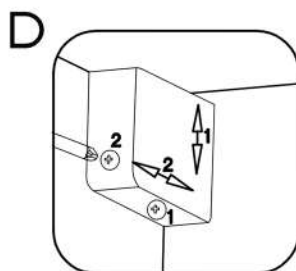
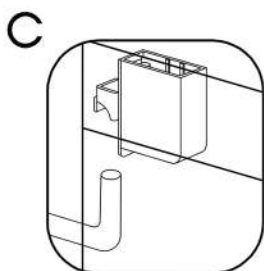
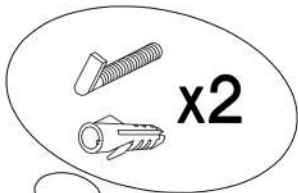
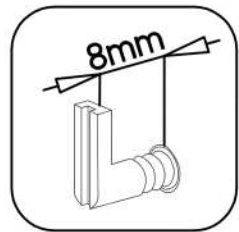
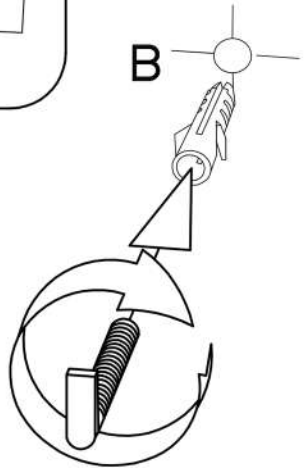
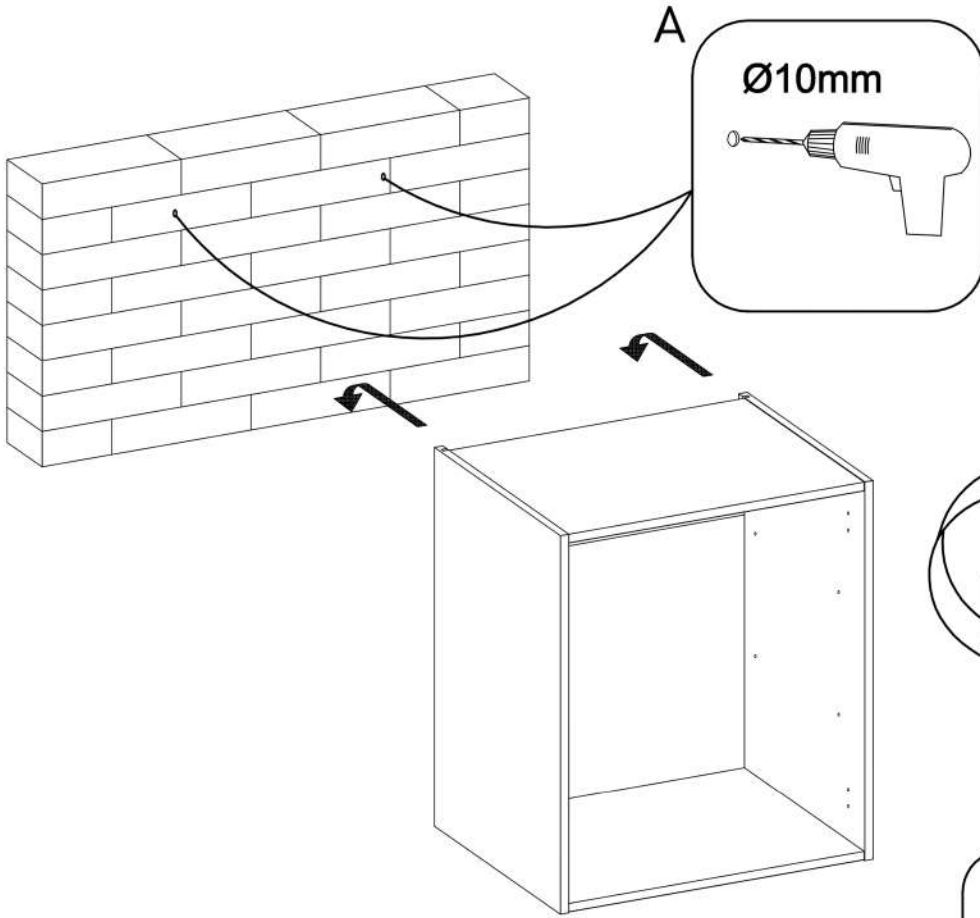
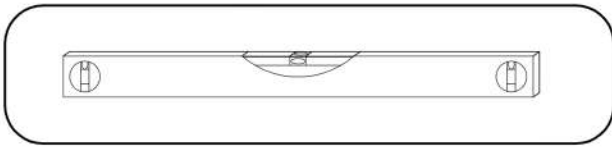
4



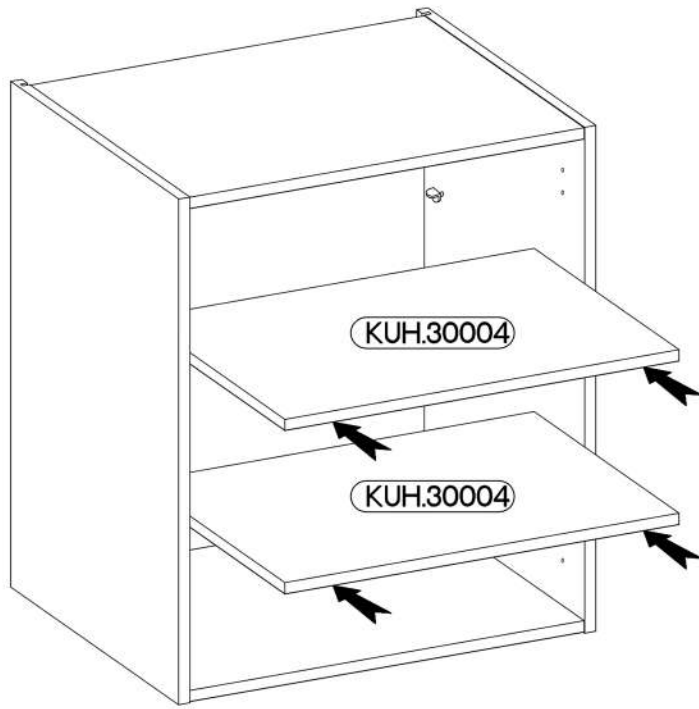
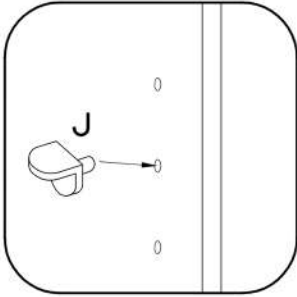
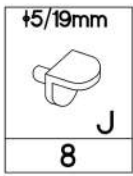
5



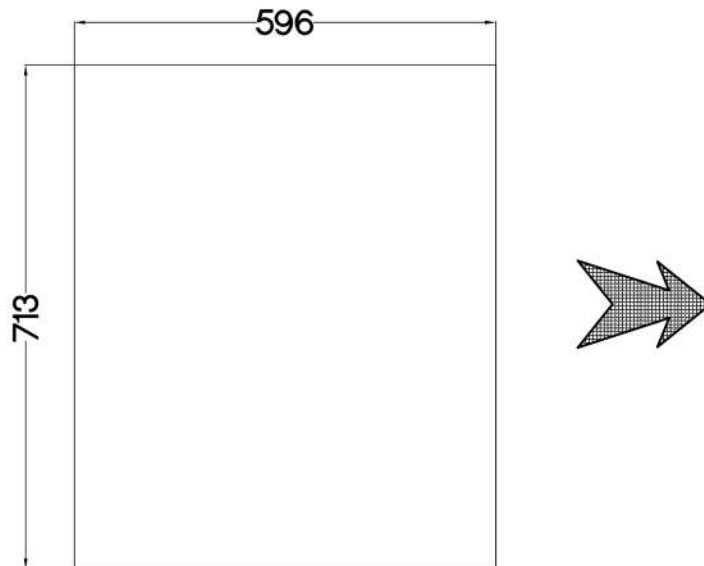
6

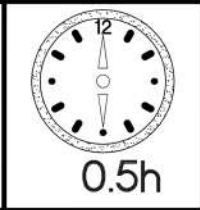
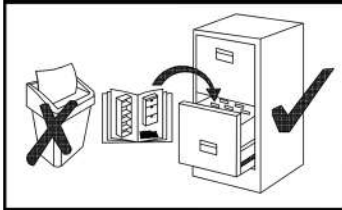
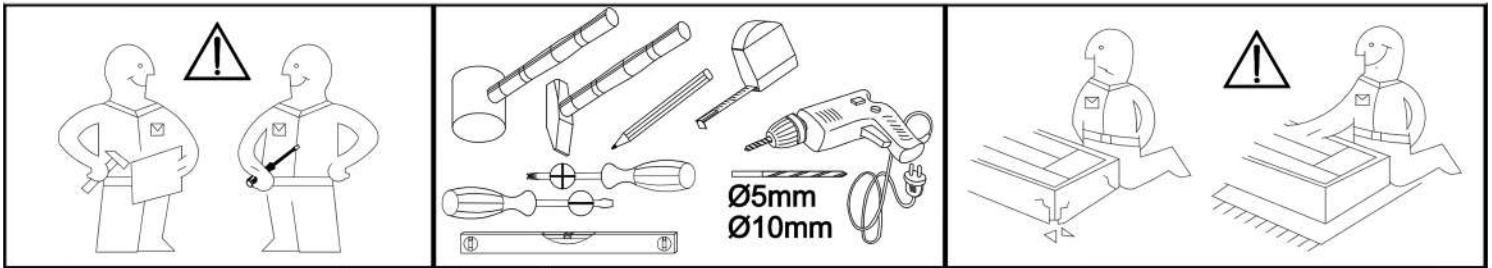


7

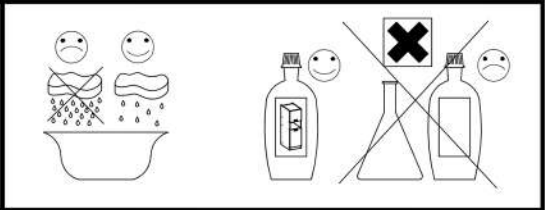


8

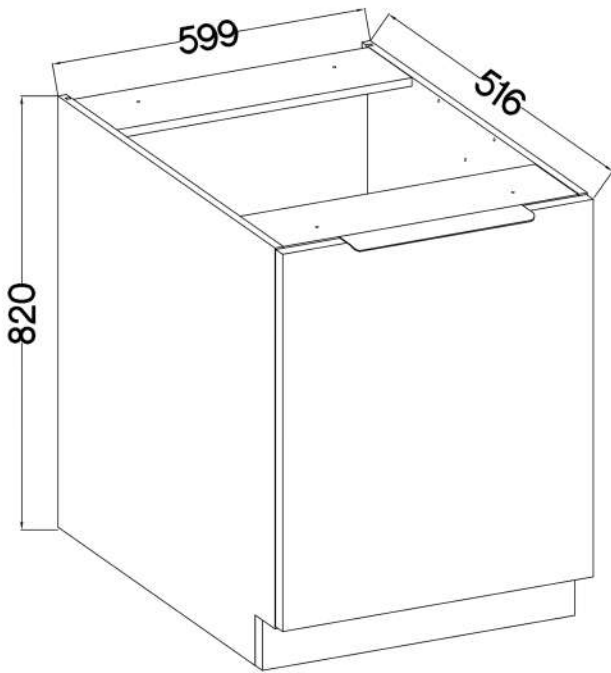




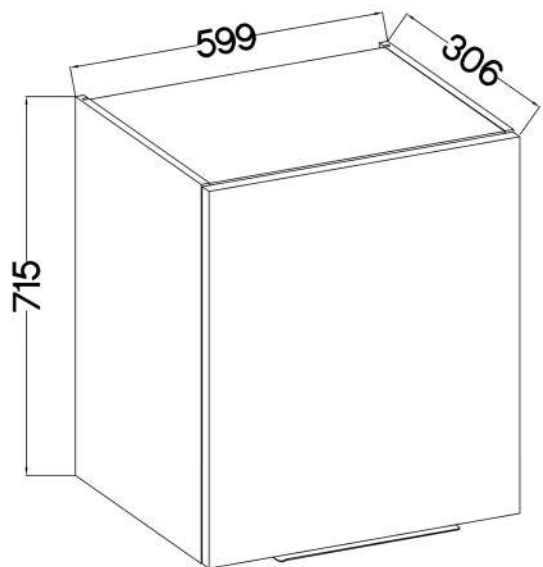
713x596



60 D 1F BB



60 G-72 1F

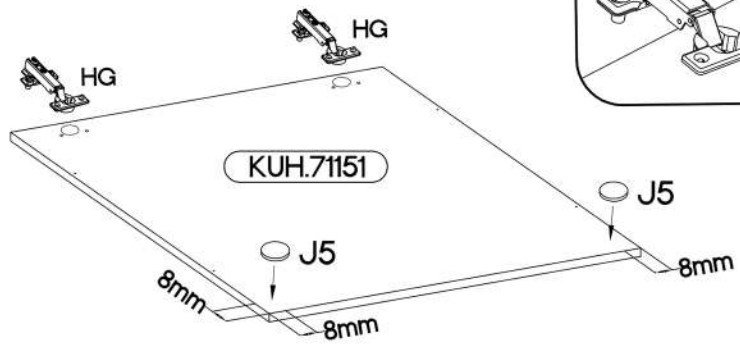
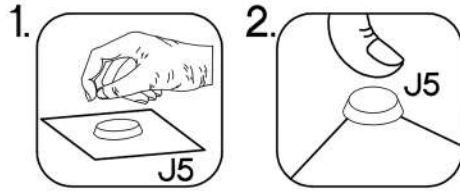


L=320mm	+7/2mm
S	J5
1	2

KUH.71151	713x596x16
-----------	------------

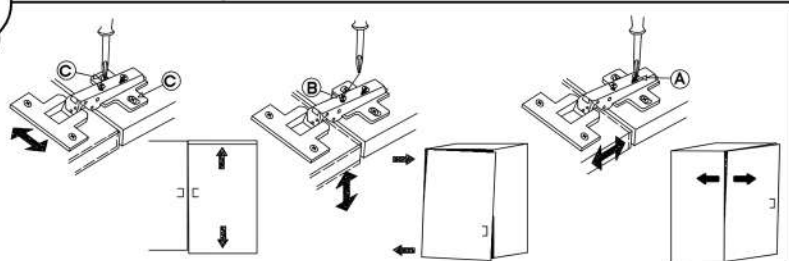
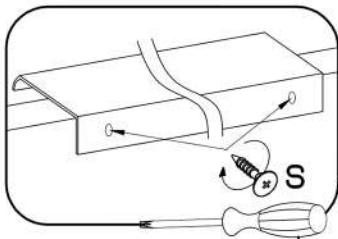
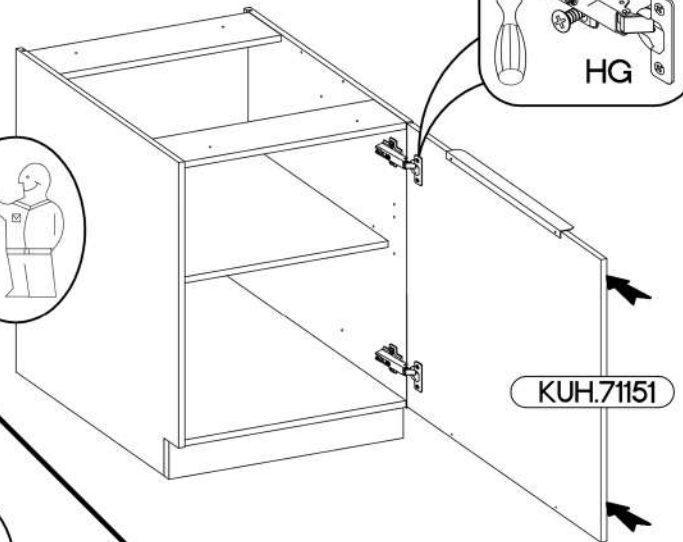
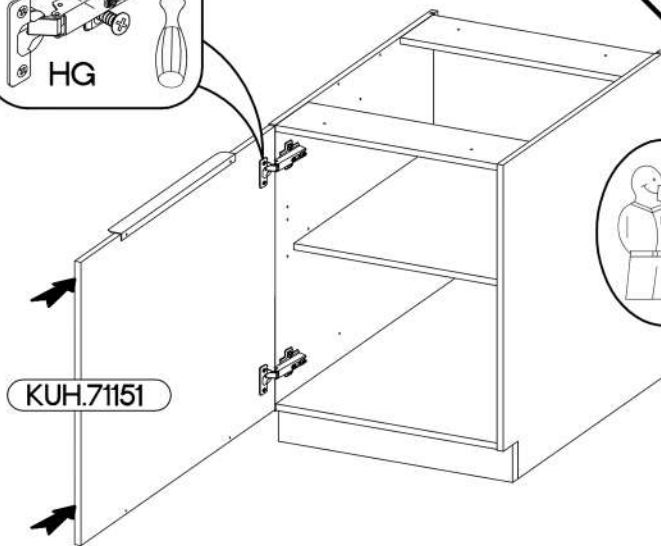
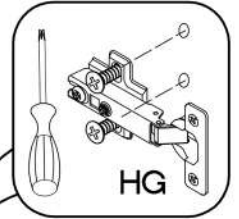
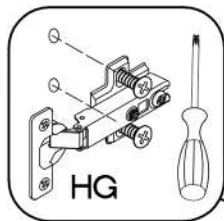
1 60 D 1F BB

±35/0mm	±3.5x13mm	±7/2mm
HG	P5	J5
2	4	2



2

L=320mm
S
1



3

60 G-72 1F

