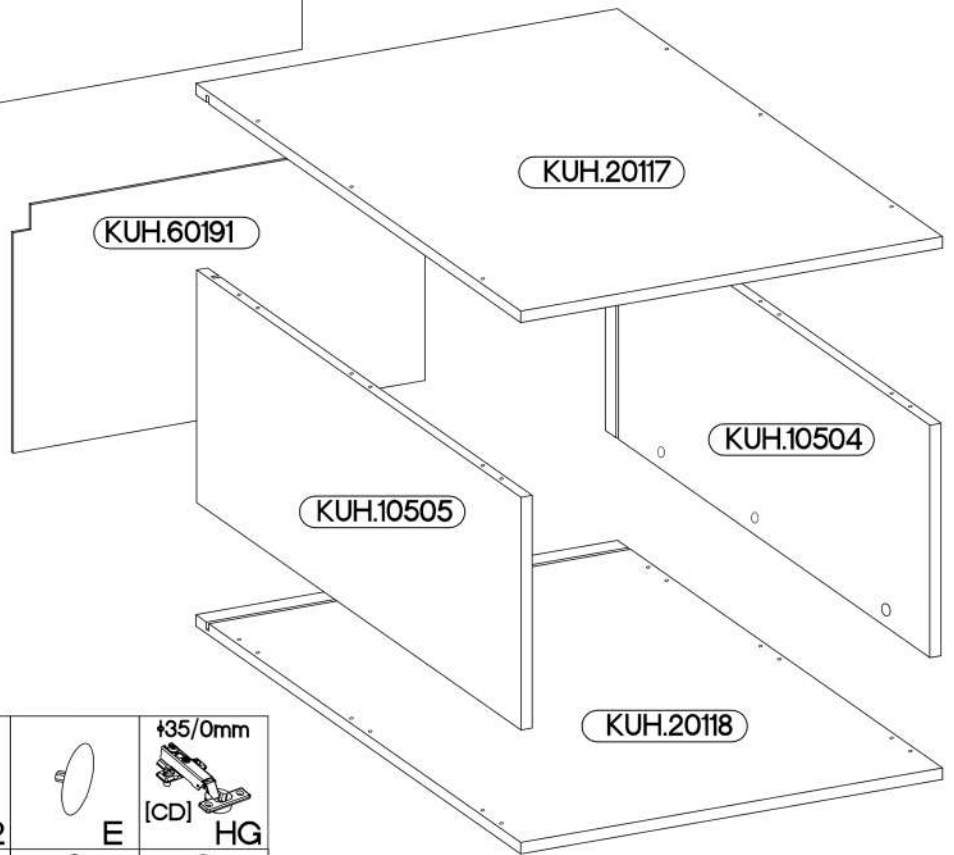
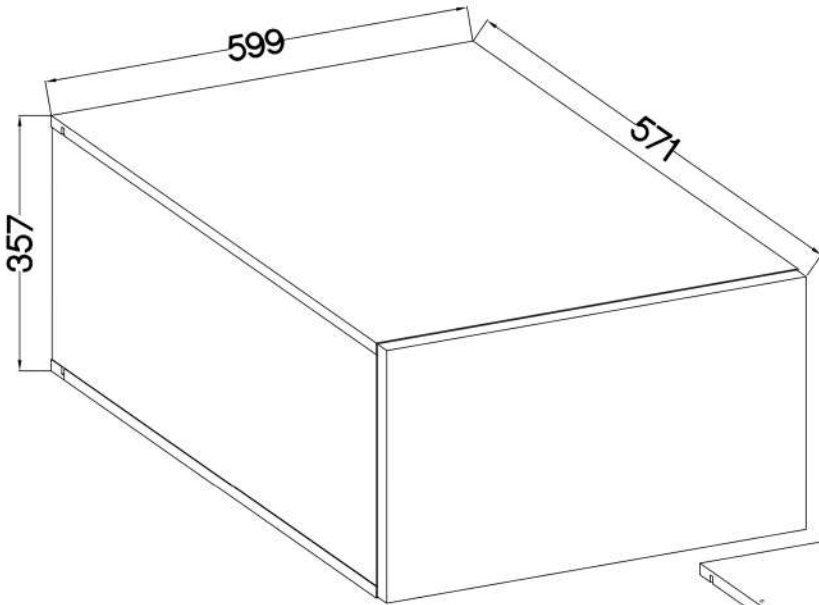


# ARSANY 60 NAGU-36 1F


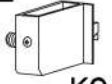





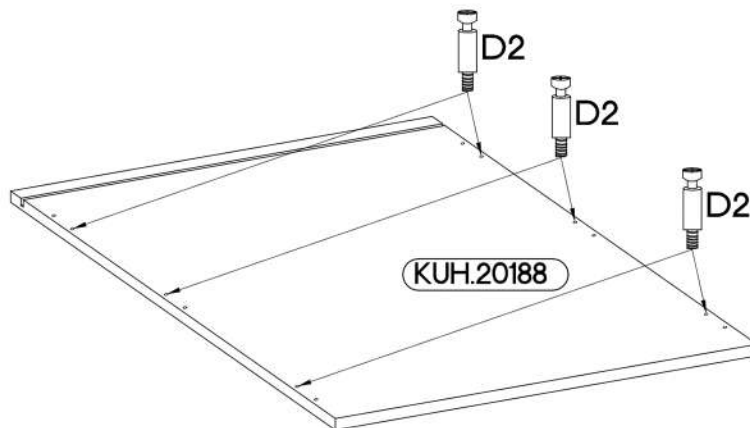
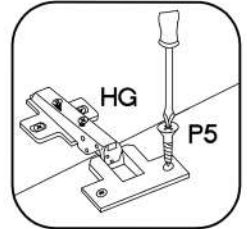
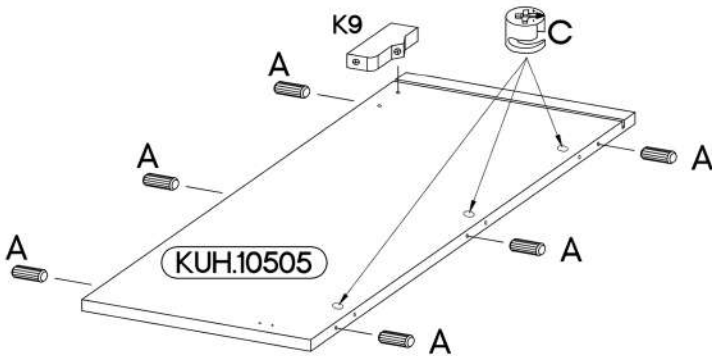
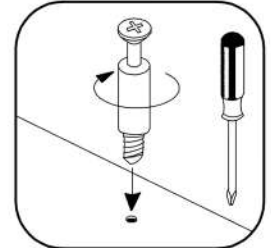
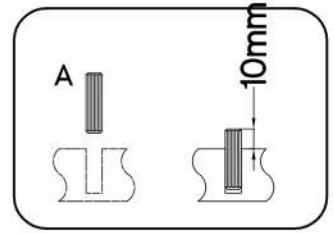
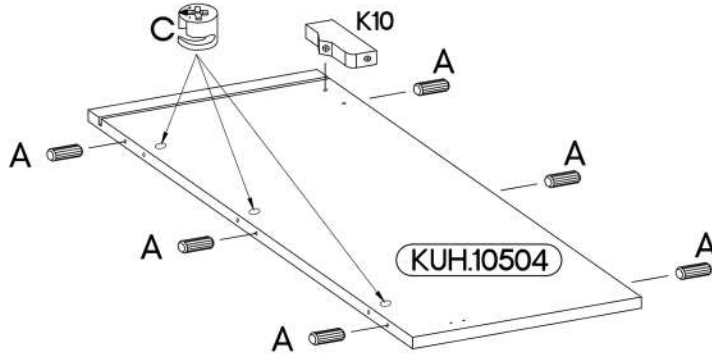
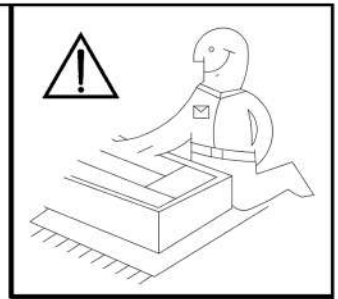
KUH.10504	325x554x16
KUH.10505	325x554x16
KUH.20117	599x555x16
KUH.20118	599x555x16
KUH.60191	343x585x2,5

$\varnothing 8 \times 30 \text{mm}$ A 12	$6,4 \times 50 \text{mm}$ B 6	$\varnothing 15 / 12 \text{mm}$ C 6	$L=20 \text{mm}$ D2 6	E 6	$\varnothing 35 / 0 \text{mm}$ [CD] HG 2
L K9 1	R K10 1	K24 2	L 6	O 1	$\varnothing 3.5 \times 13 \text{mm}$ P5 4

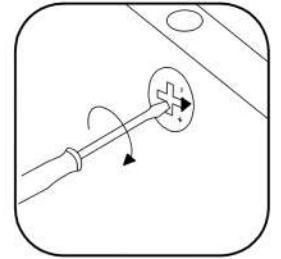
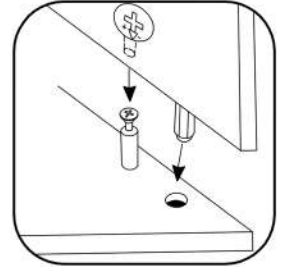
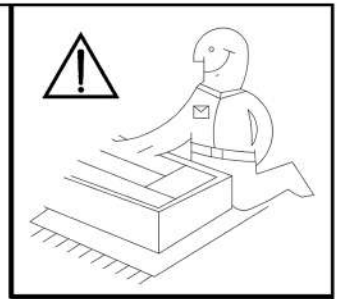
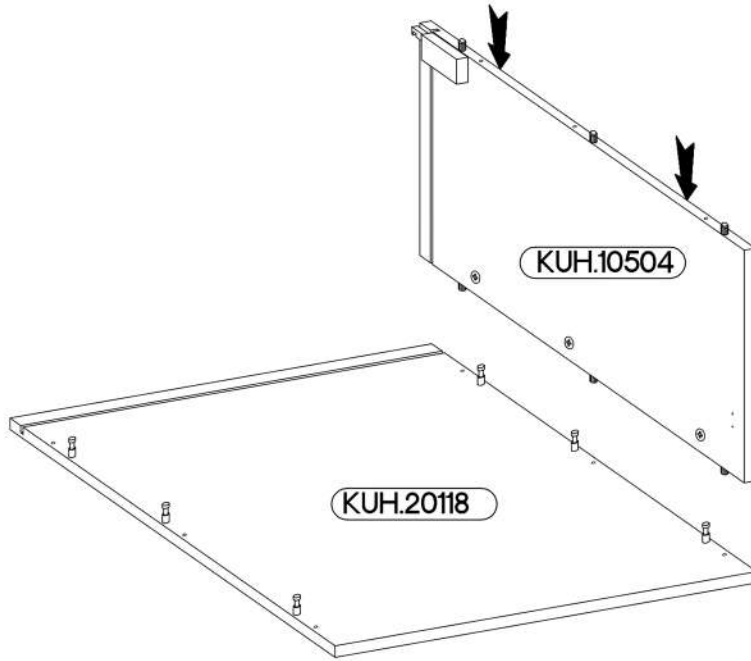


# 1

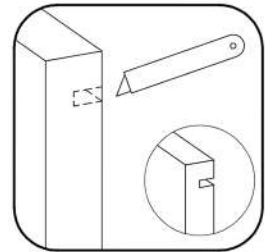
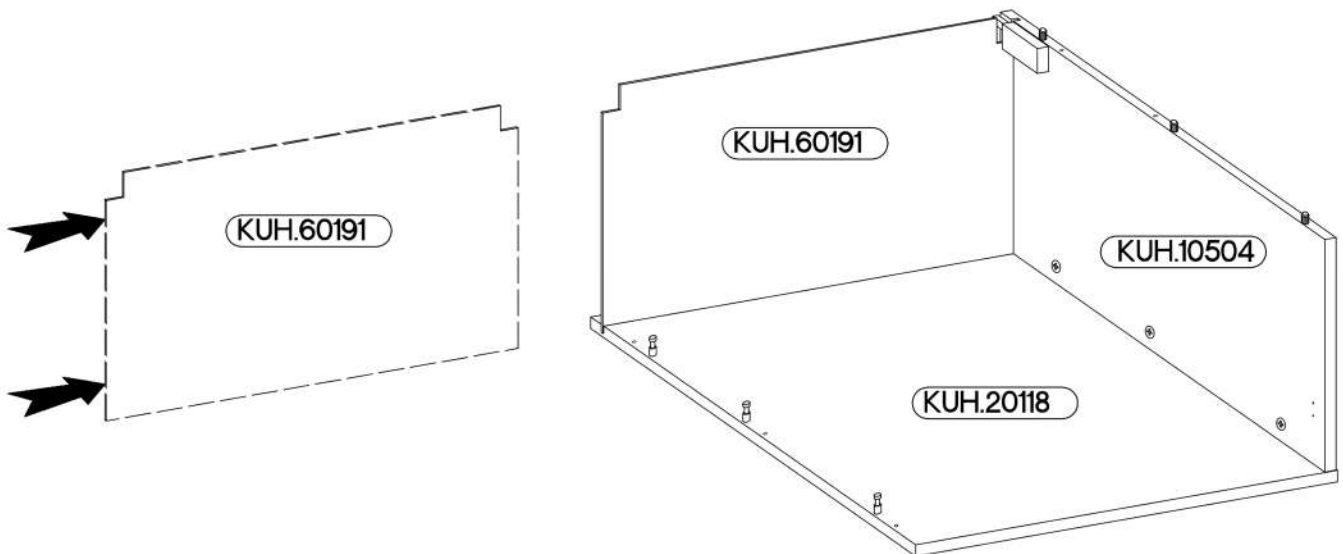
$\varnothing 8 \times 30 \text{mm}$  A 12	L  K9 1	R  K10 1	$\varnothing 15/12 \text{mm}$  C 6	L=20mm  D2 6
---	---	--	--	--



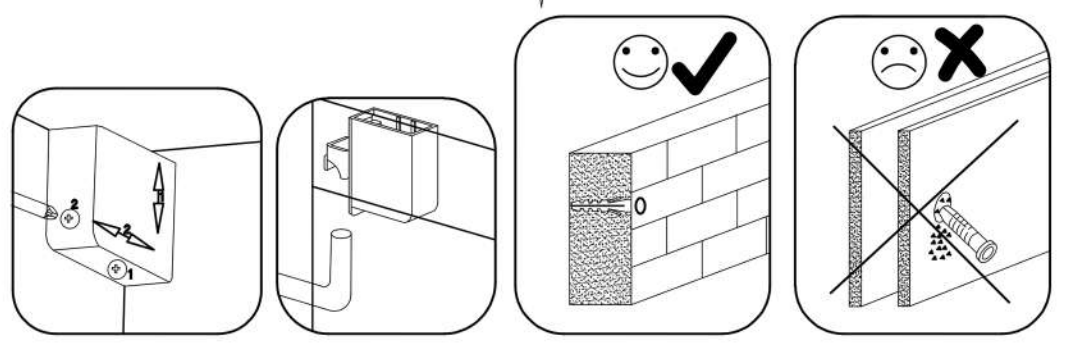
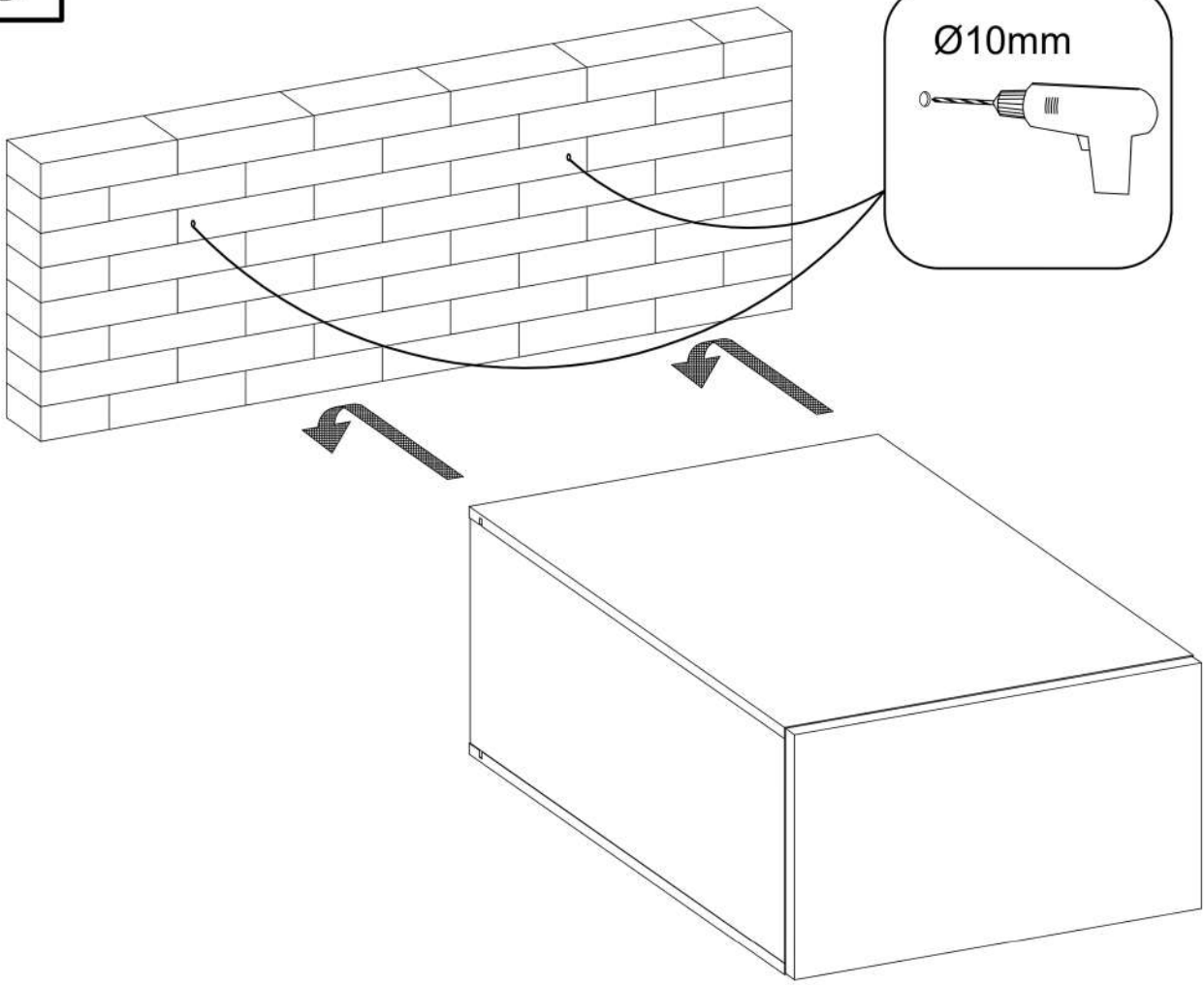
2



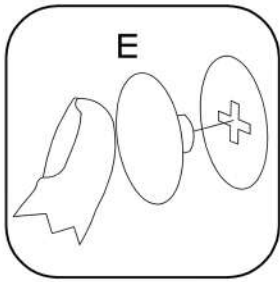
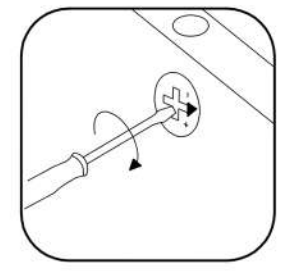
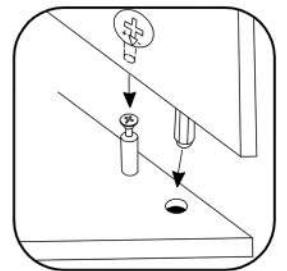
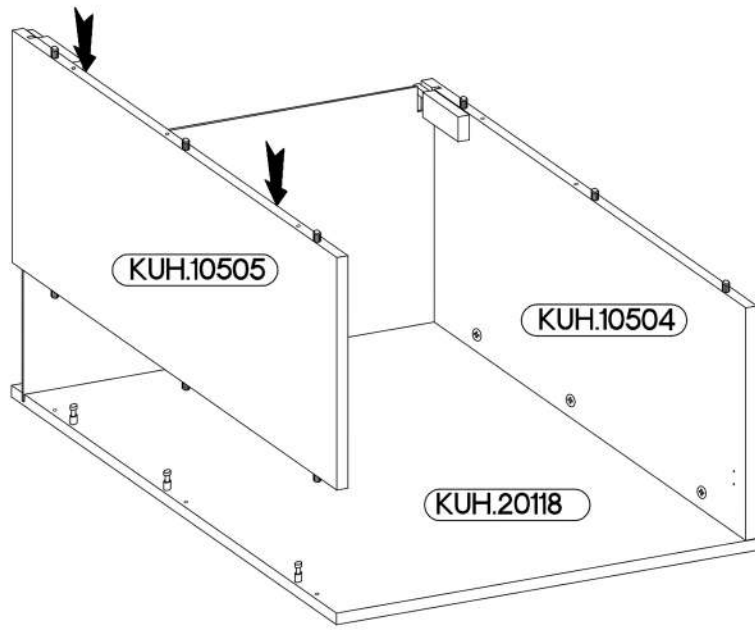
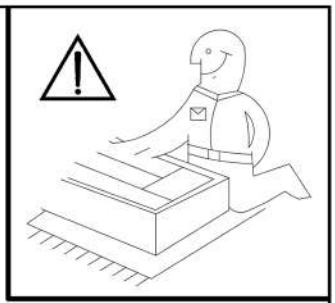
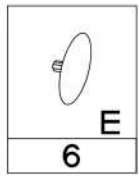
3



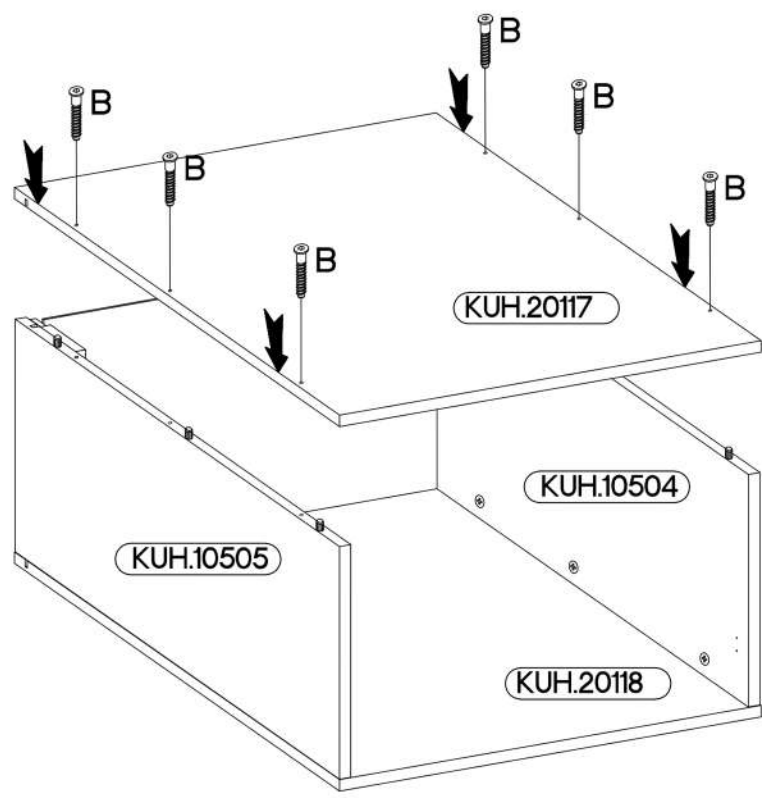
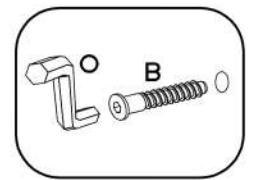
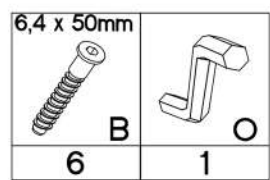
8

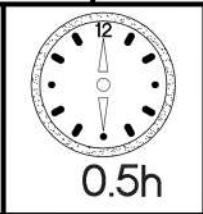
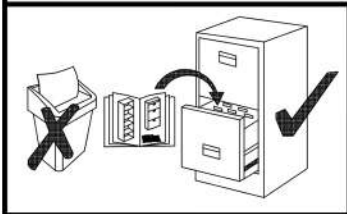
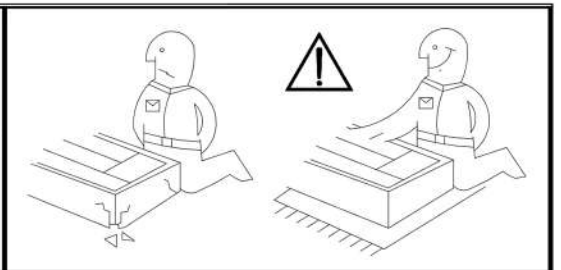
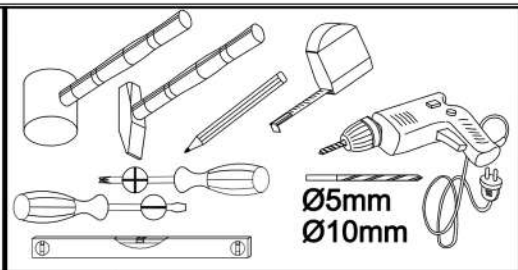
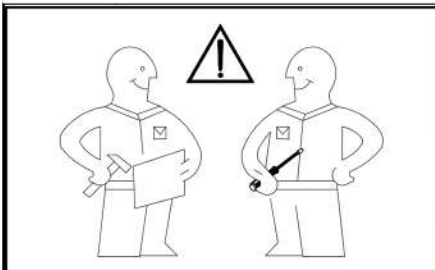


4

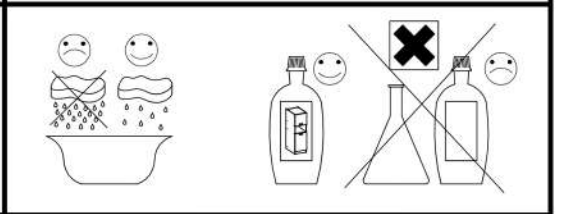


5

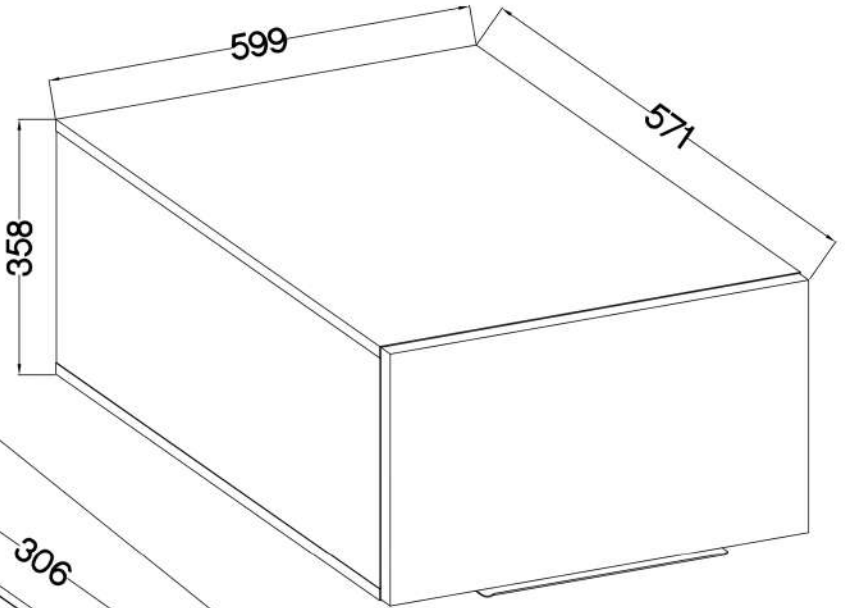




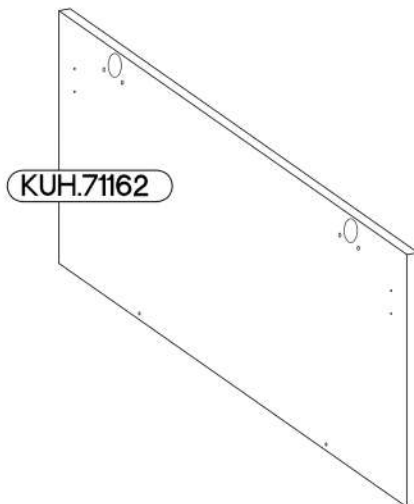
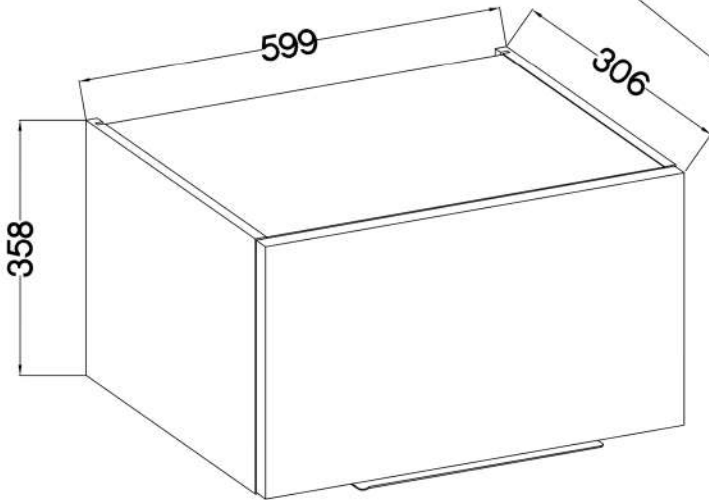
**355x596**





60 GU-36






60 NAGU-36

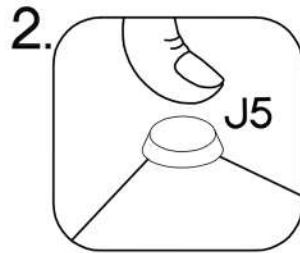
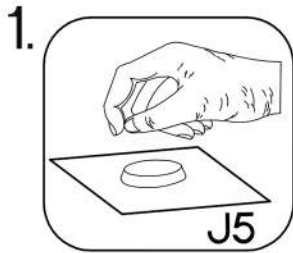
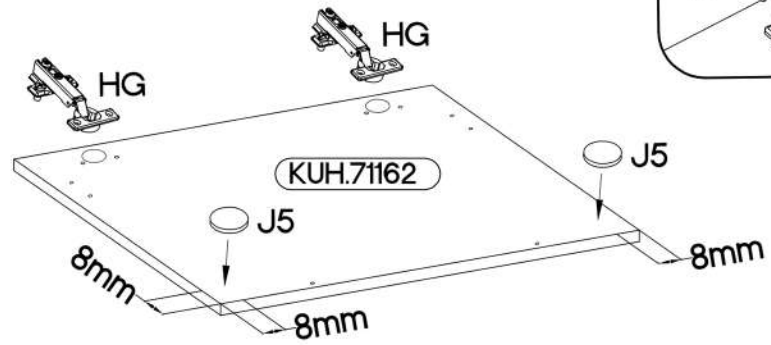
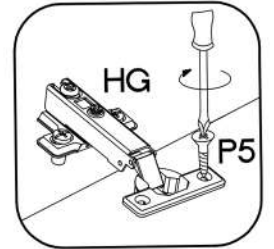


L=320mm	±7/2mm
	
S	J5
1	2

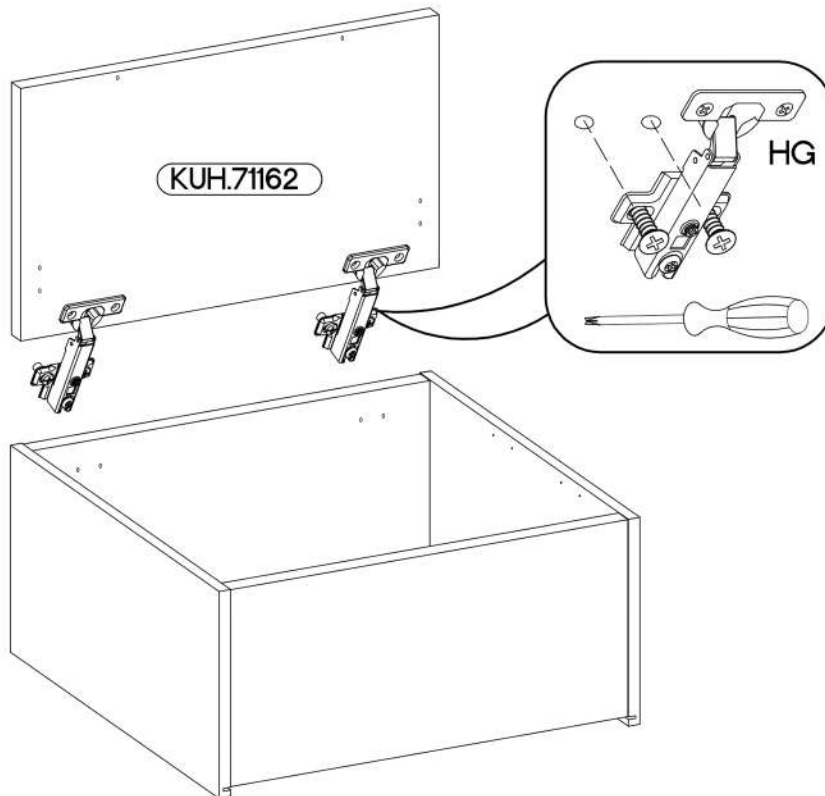
KUH.71162	355x596x16
-----------	------------

# 1 60 GU-36

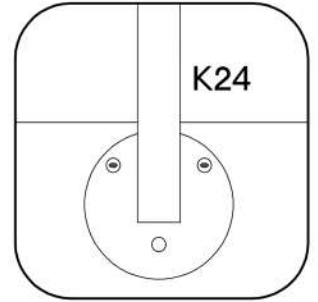
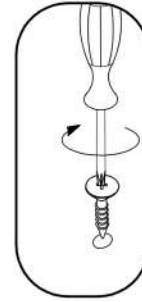
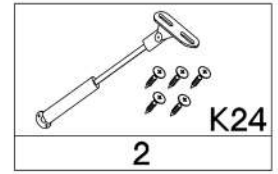
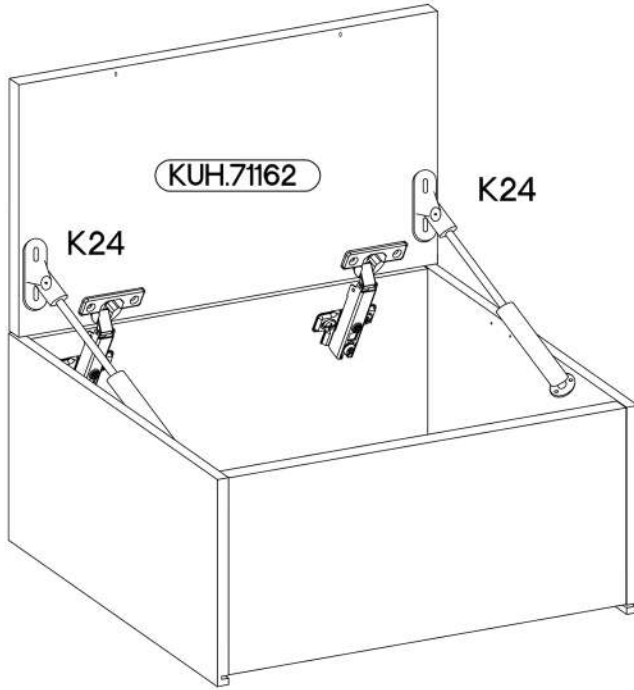
±35/0mm	±3.5x13mm	±7/2mm
 [CD] HG	 P5	 J5
2	4	2



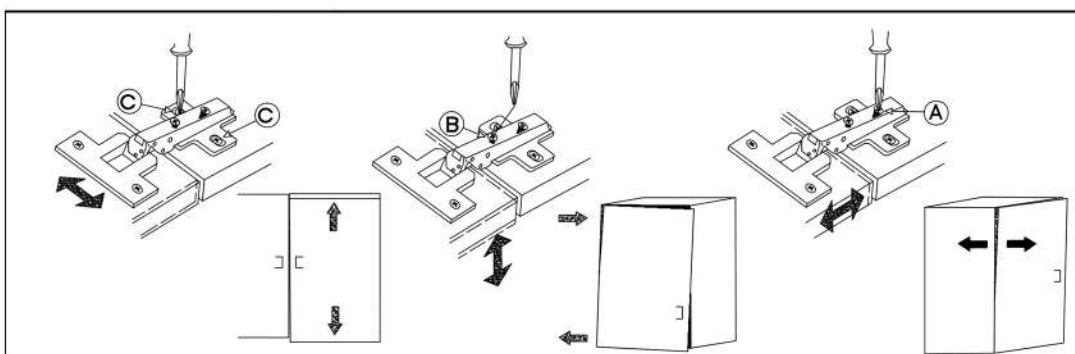
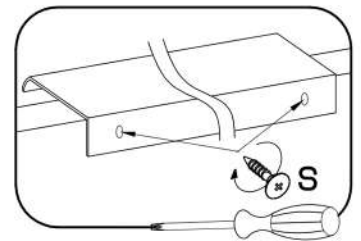
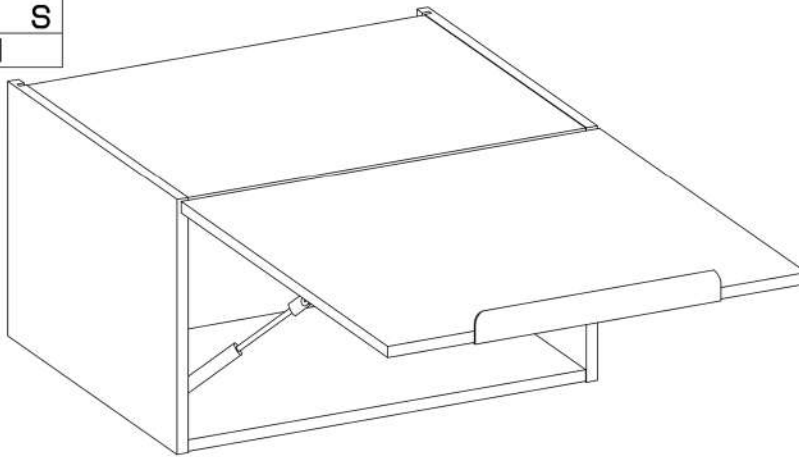
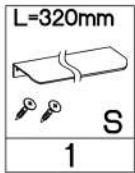
# 2



3

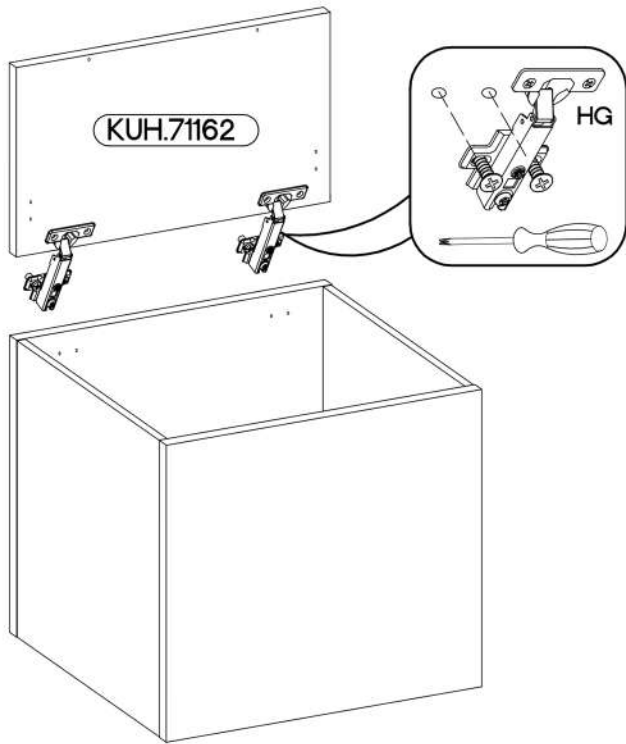


4

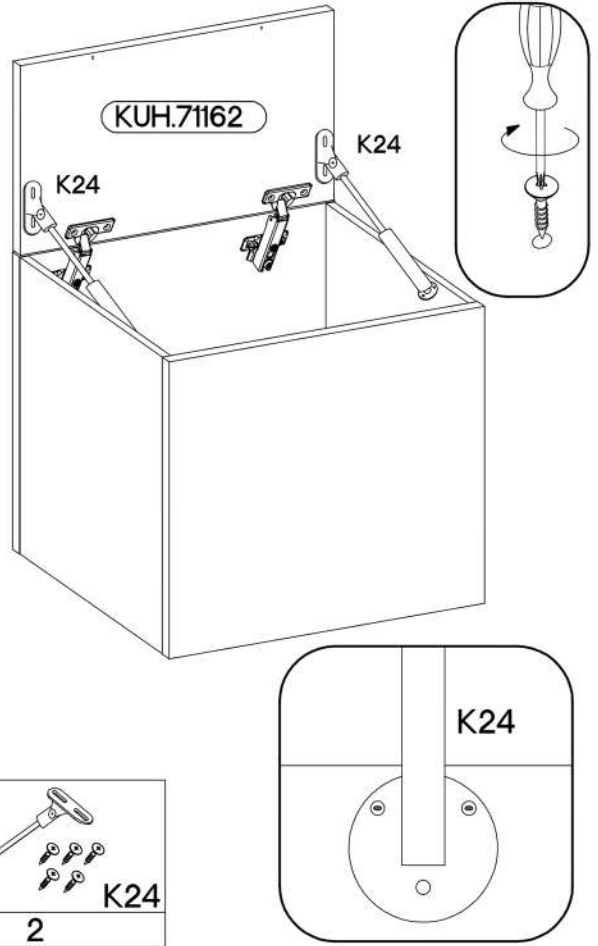


5

60 NAGU-36



6



7

