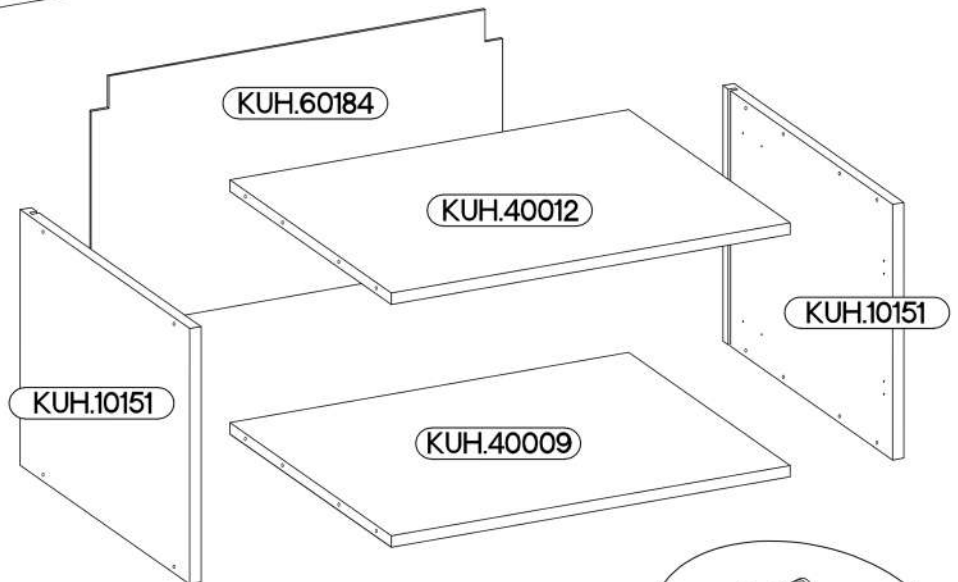
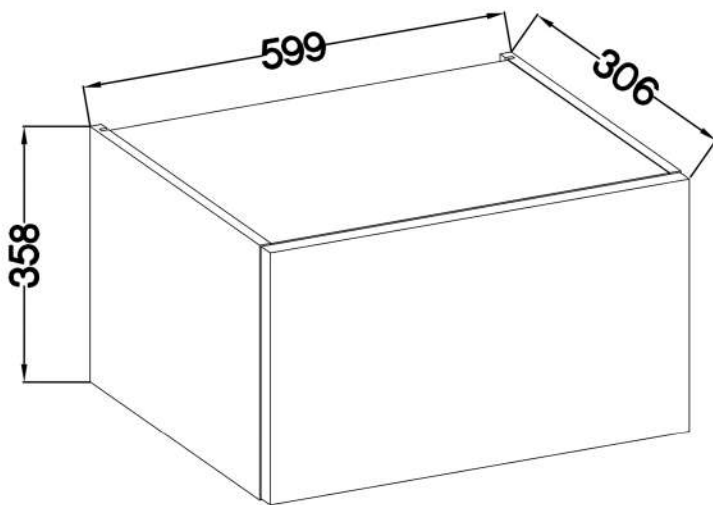


# ARSANY 60 GU-36 1F

max. 5kg KUH.40001



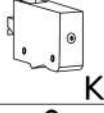


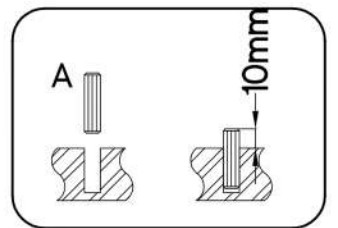
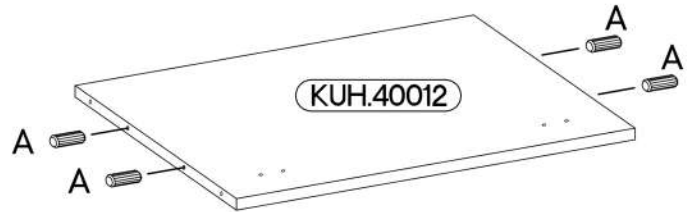
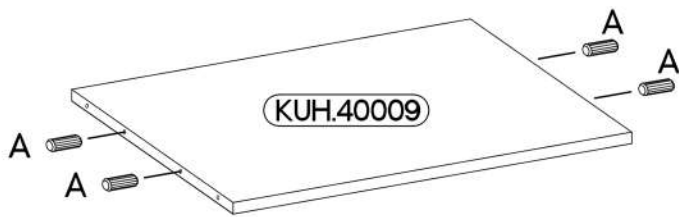
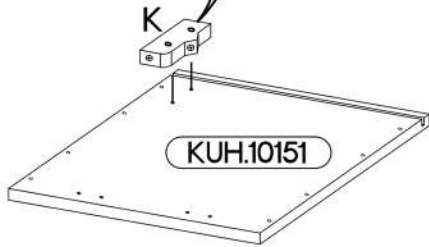
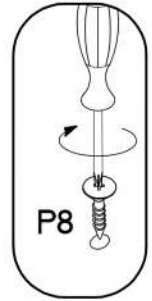
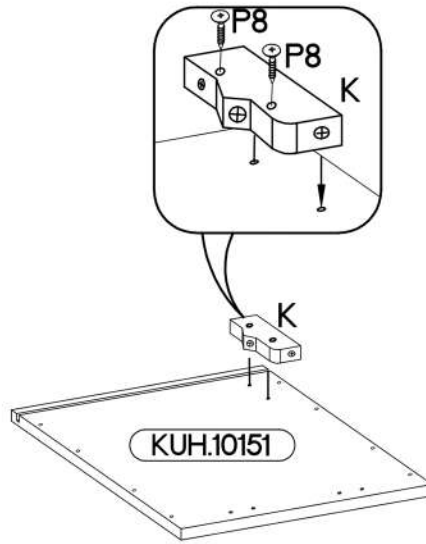
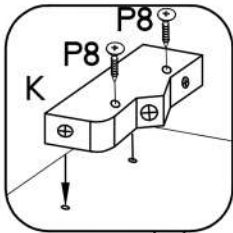
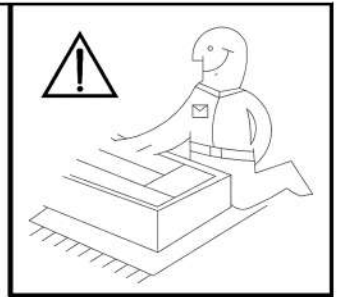
KUH.10151 x2	357,5x290x16
KUH.40009	567x276x16
KUH.40012	567x276x16
KUH.60184	353x585x2,5

<b>A</b> 8	<b>B</b> 8	<b>E1</b> 8	<b>HG</b> 2	<b>K</b> 2
<b>K24</b> 2	<b>O</b> 1	<b>P5</b> 4	<b>P7</b> 8-10	<b>P8</b> 4

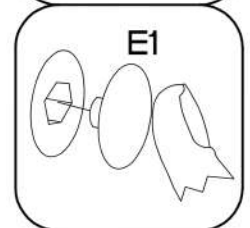
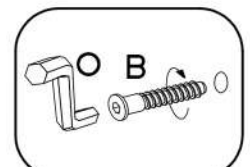
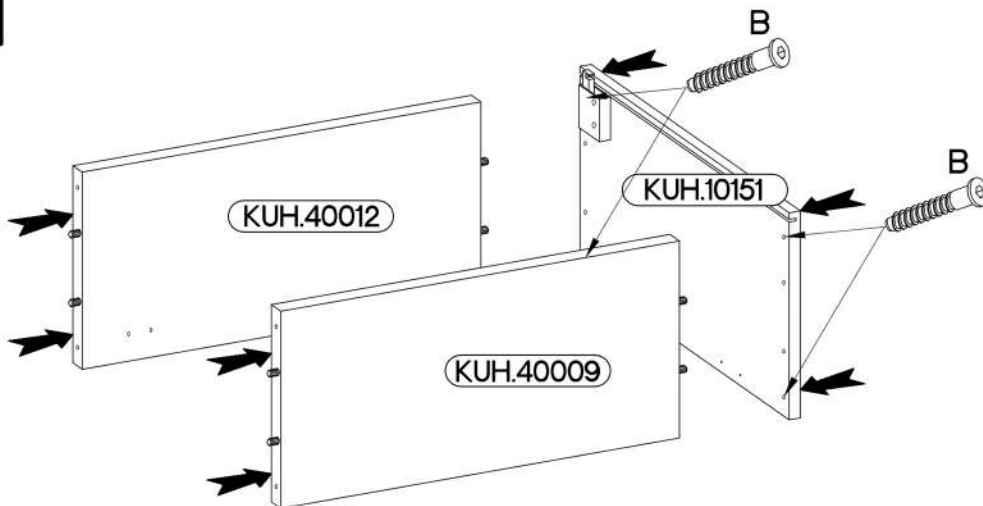





# 1

+8x30mm  A	+4.0x30mm  P8	 K
8	4	2



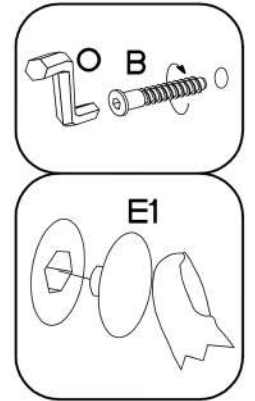
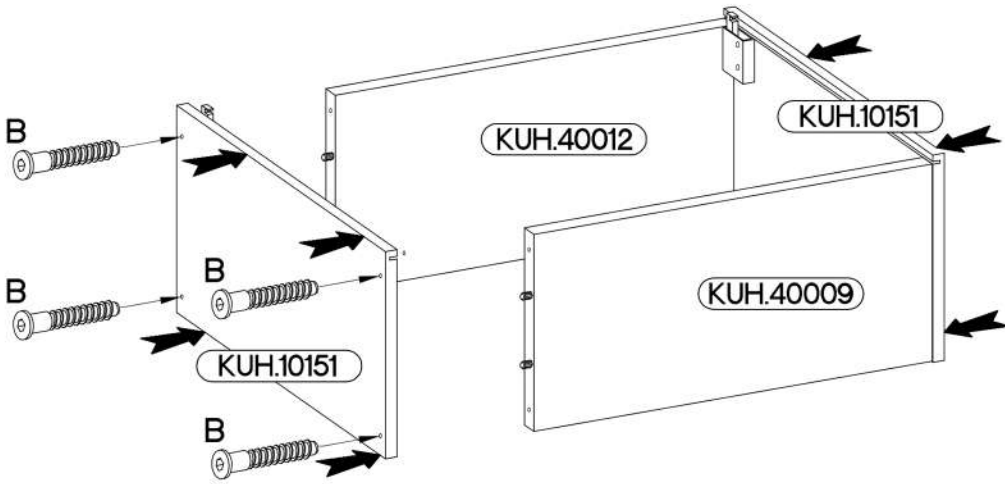
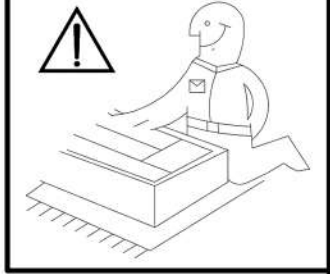
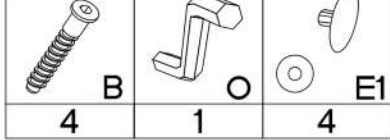
# 2



6,4 x 50mm  B	 O	 E1
4	1	4

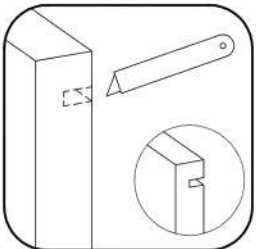
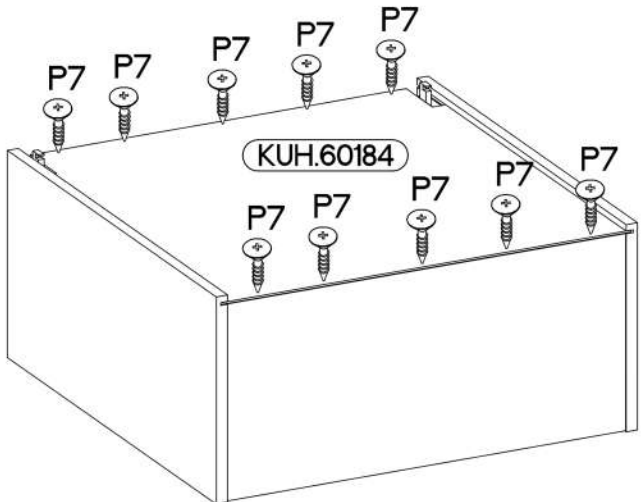
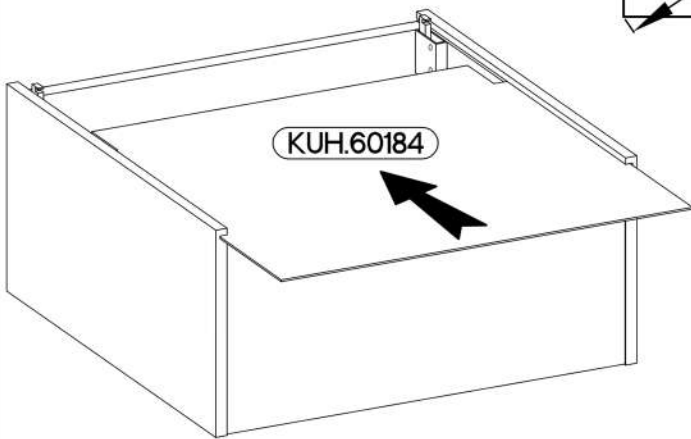
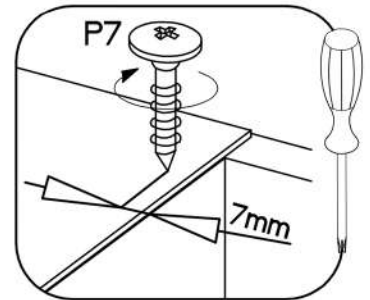
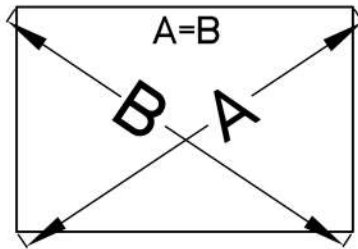
3

6,4 x 50mm

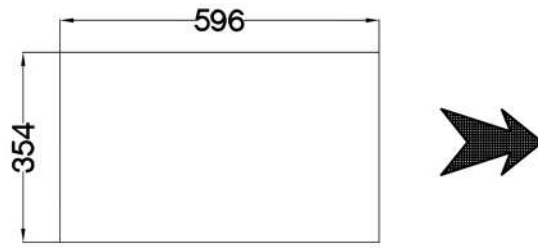


4

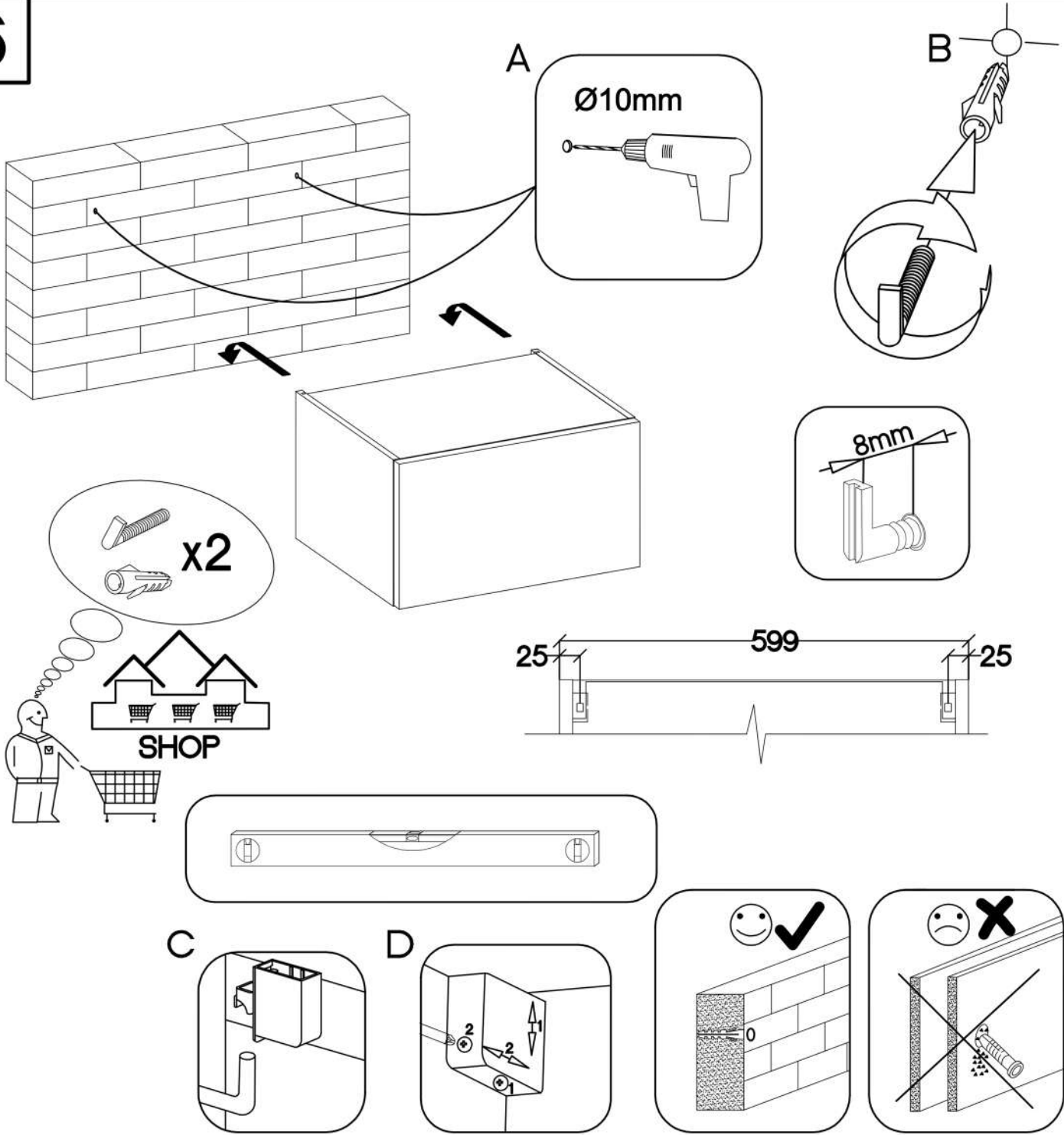
±3.0x20mm

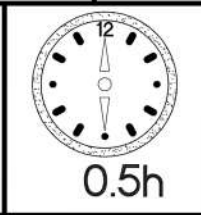
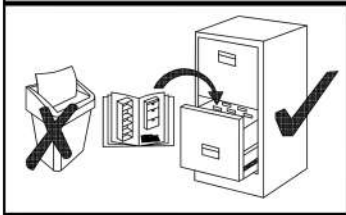
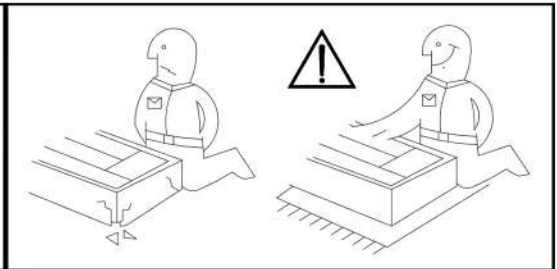
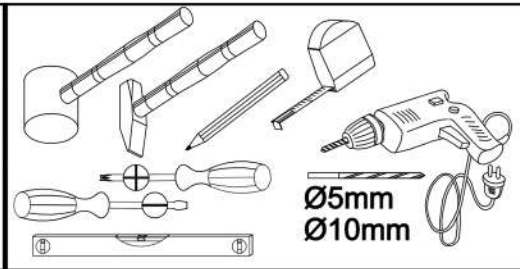
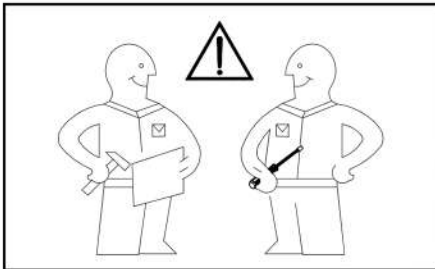


5

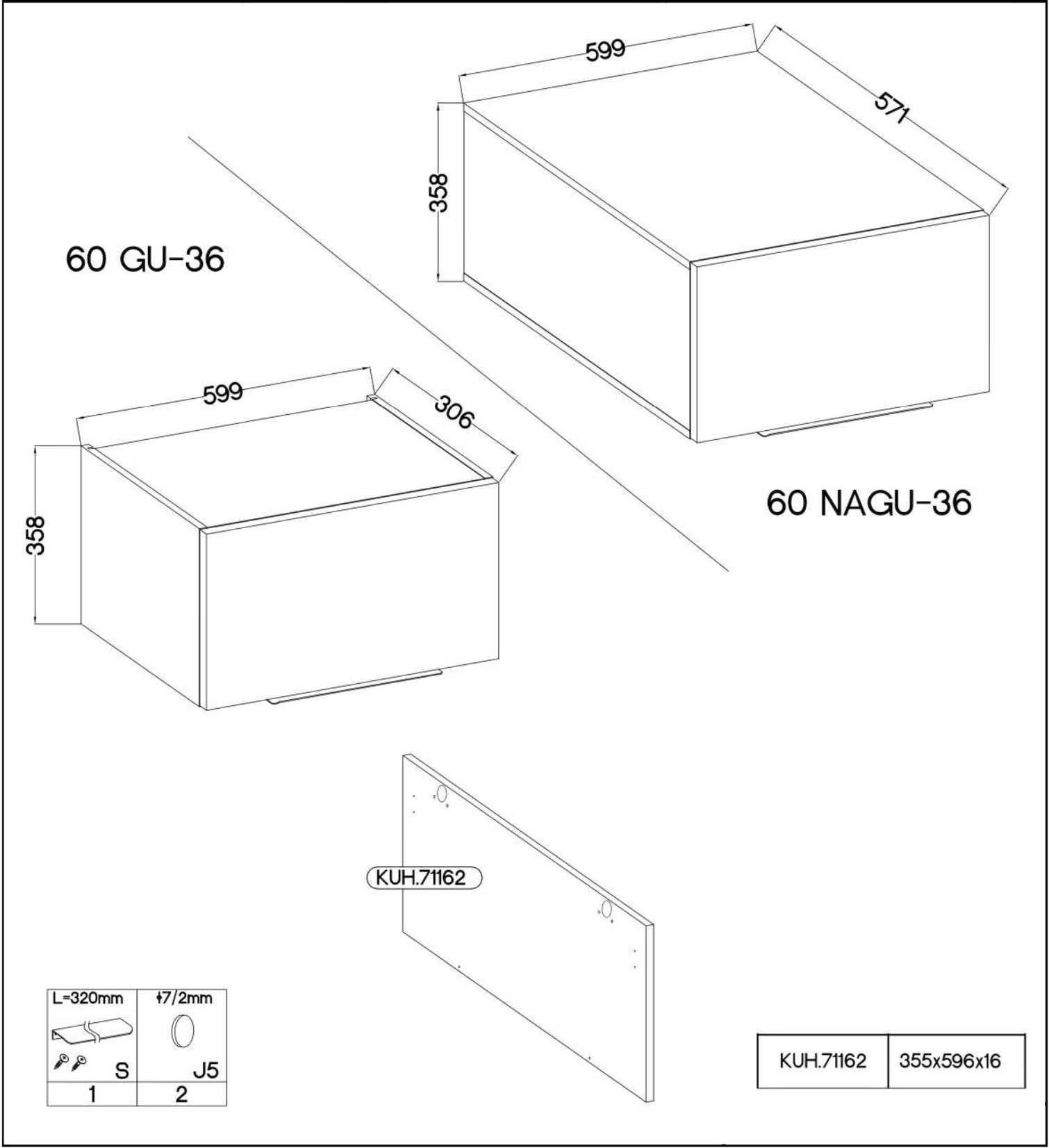
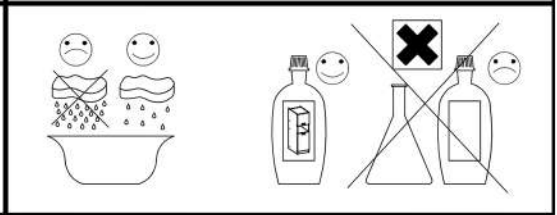




6





**354x596**






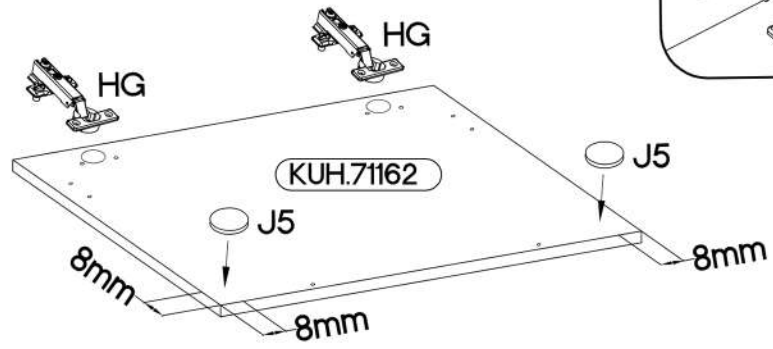
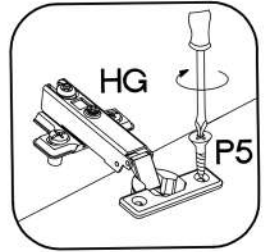
L=320mm	±7/2mm
	
S	J5
1	2

KUH.71162	355x596x16
-----------	------------

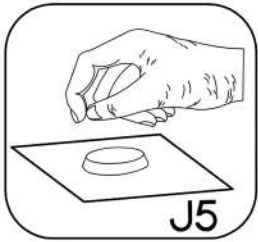
# 1

# 60 GU-36

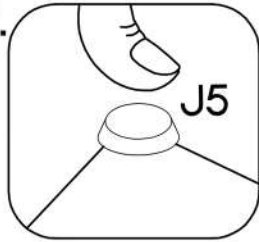
±35/0mm	±3.5x13mm	±7/2mm
 [CD] HG	 P5	 J5
2	4	2



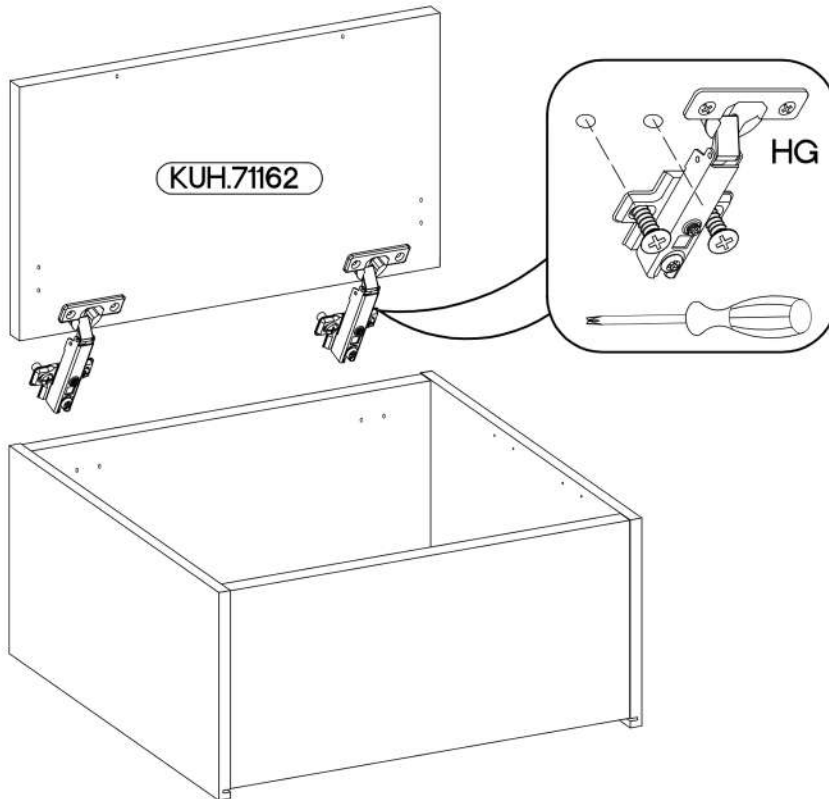
1.



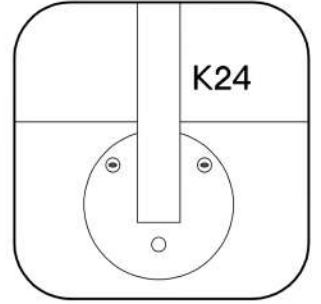
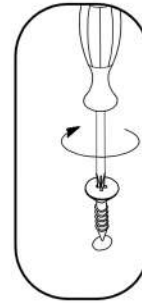
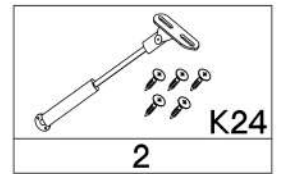
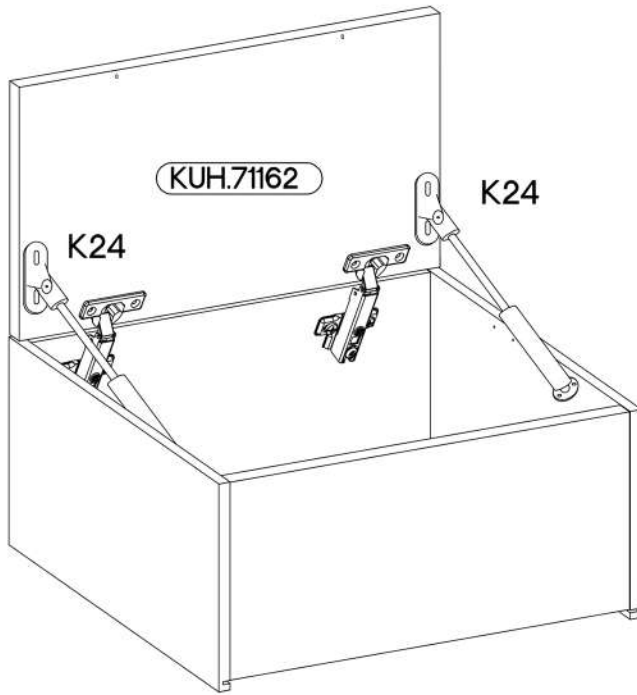
2.



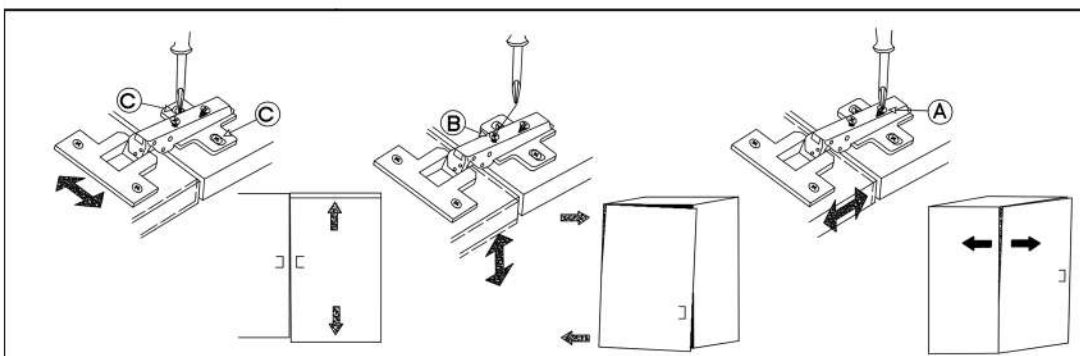
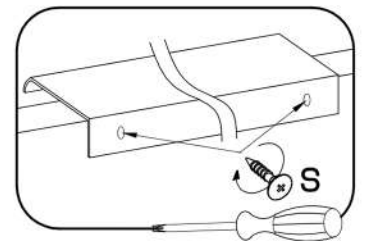
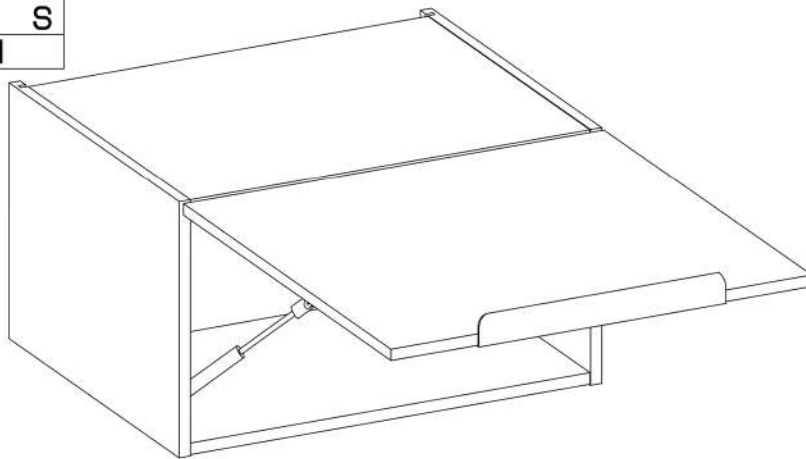
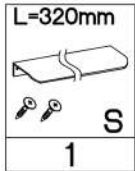
# 2



3

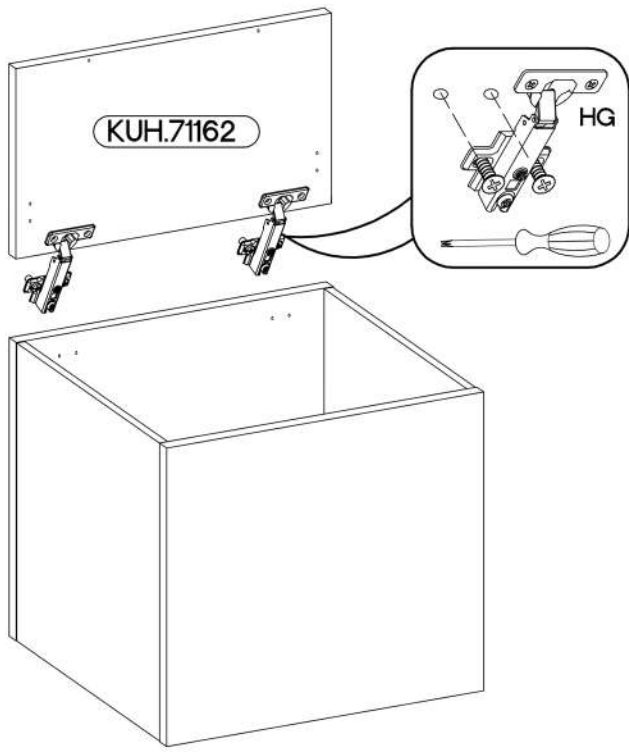


4

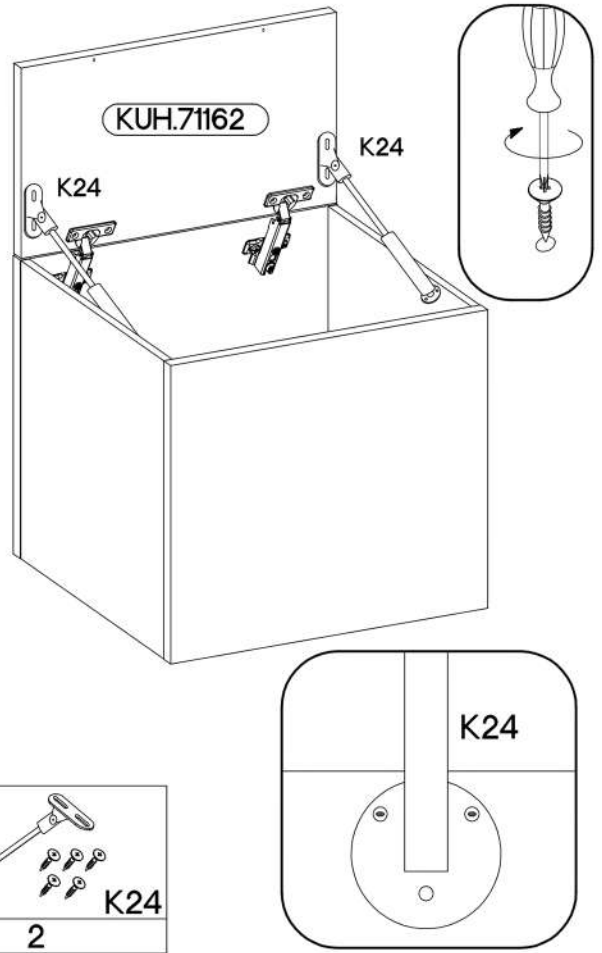


5

60 NAGU-36



6



7

