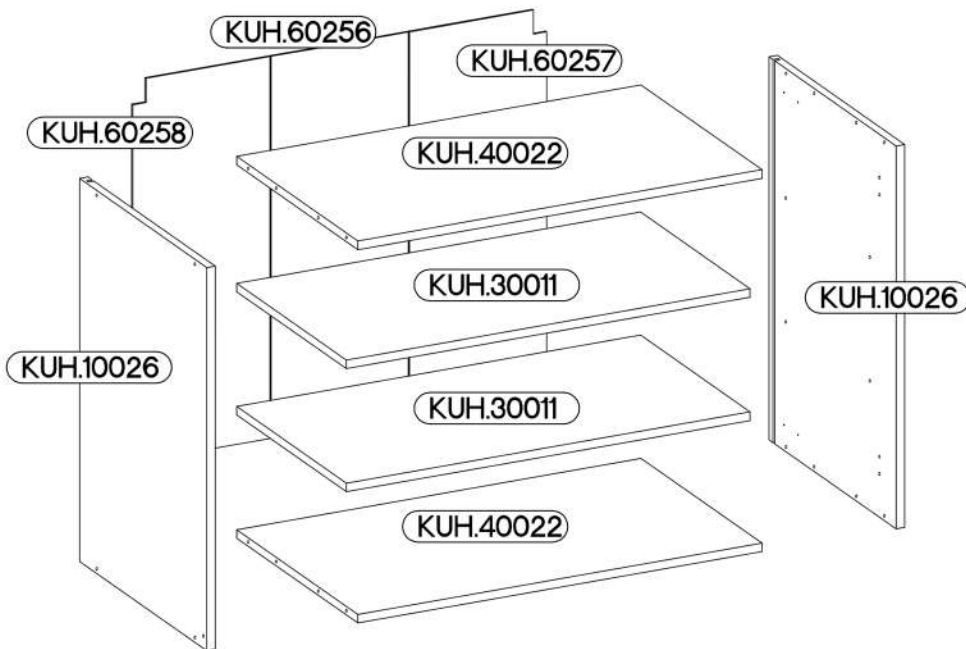
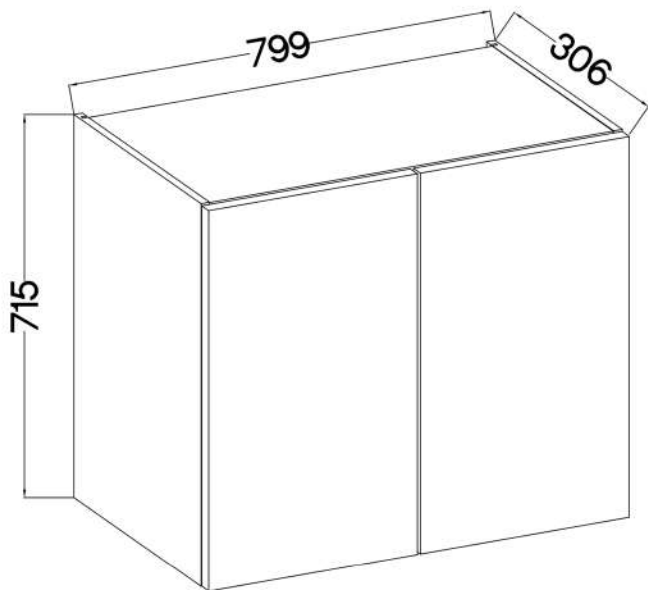
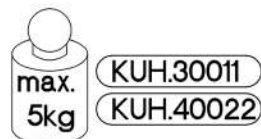
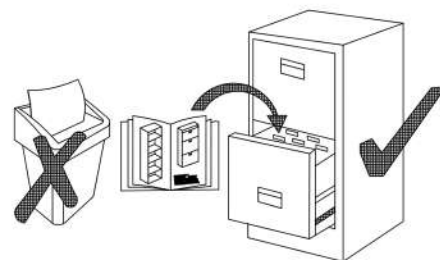


ARSANY 80 G-72 2F






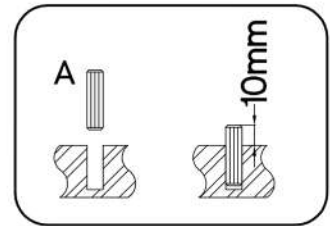
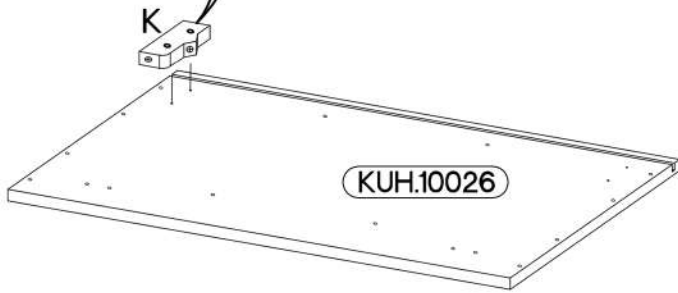
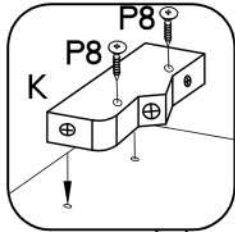
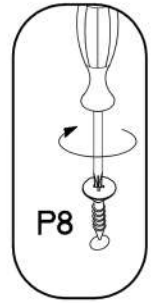
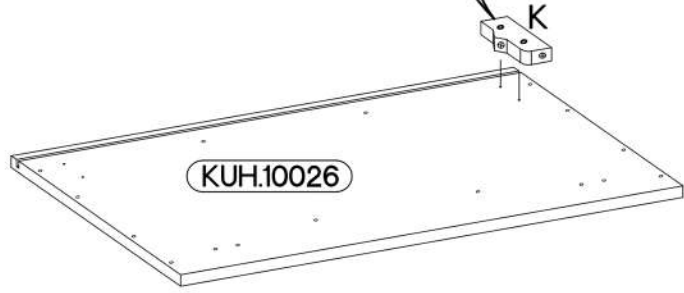
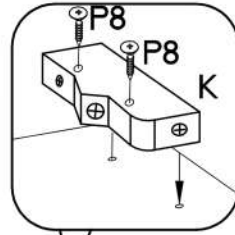
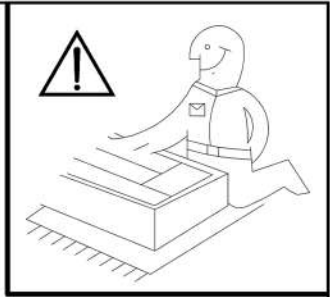
KUH.10026 x2	715x290x16
KUH.30011 x2	766x250x16
KUH.40022 x2	767x276x16
KUH.60256	713x260x2,5
KUH.60257	713x260x2,5
KUH.60258	713x260x2,5

 A 8	 B 8	 E1 8	 HG 4	 J 8	 K 2	 L1 2	 O 1	 P5 8	 P7 15-20	 P8 4
 +8x30mm	 6,4 x 50mm	 +35/0mm		 +5/19mm		 L1=680mm		 +3.5x13mm	 +3.0x20mm	 +4.0x30mm






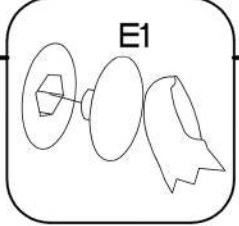
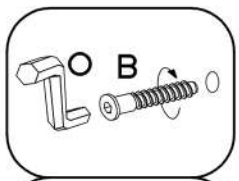
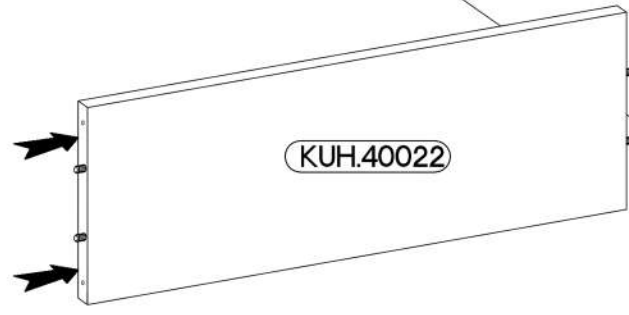
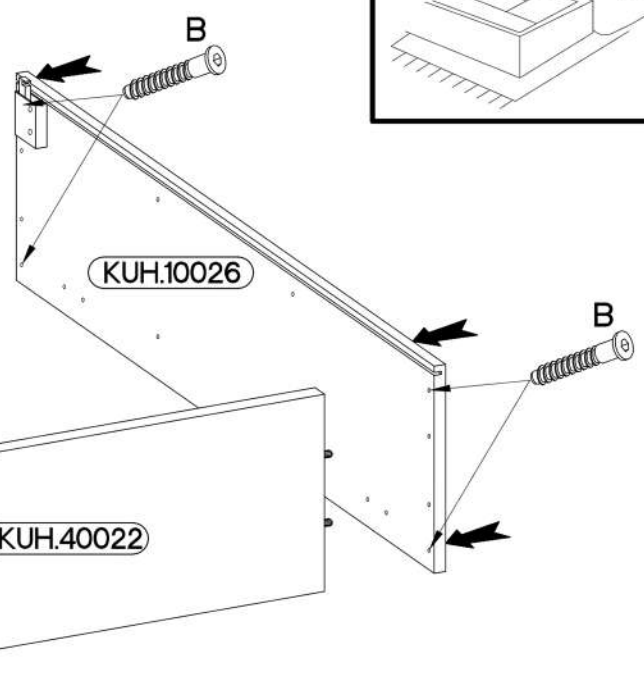
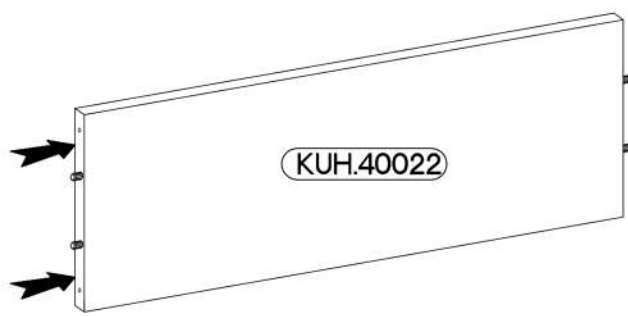
1

$\pm 8 \times 30 \text{mm}$  A 8	$\pm 4.0 \times 30 \text{mm}$  P8 4	 K 2
----------------------------------------------------------------------------------------------------------------------------	-------------------------------------------------------------------------------------------------------------------------------	---------------------------------------------------------------------------------------------

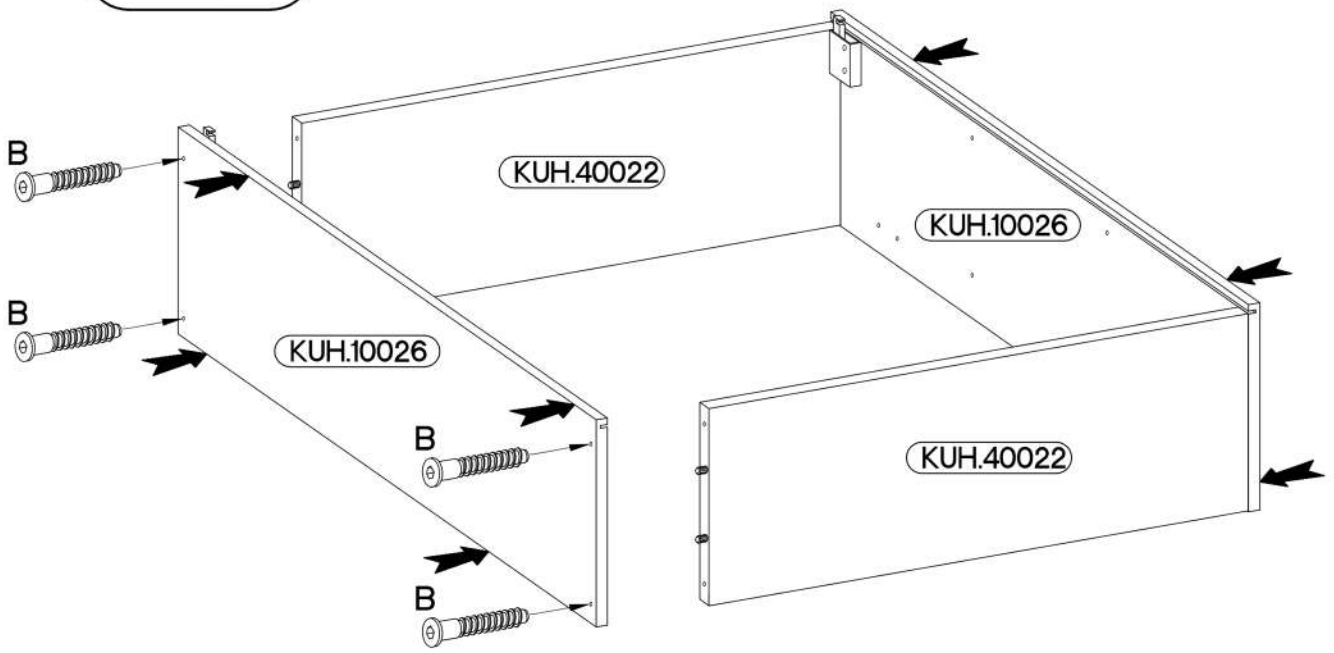





2

6,4 x 50mm		
		
B	O	E1
4	1	4

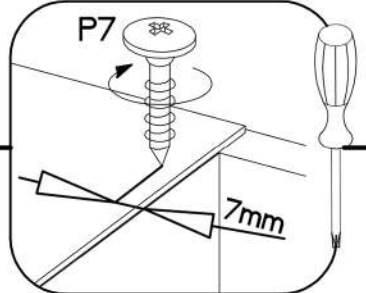
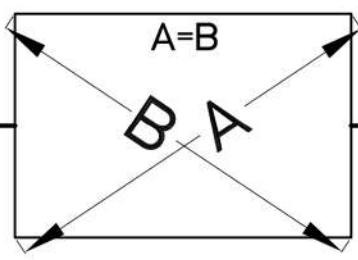
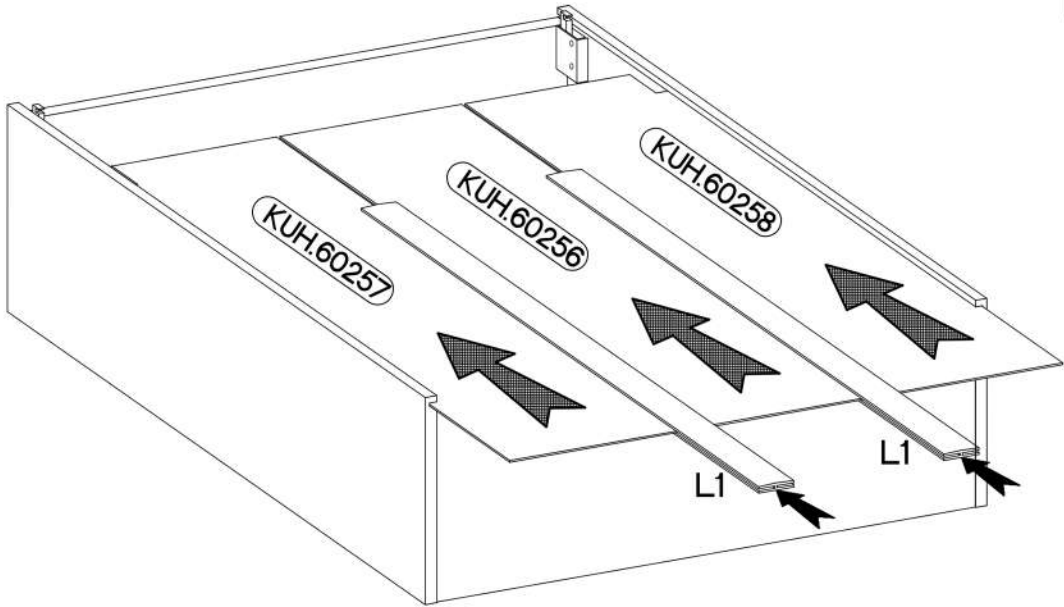
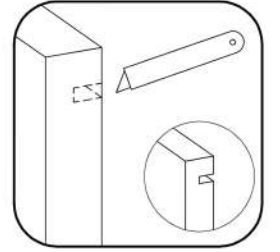
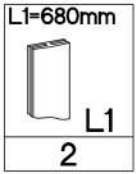


3

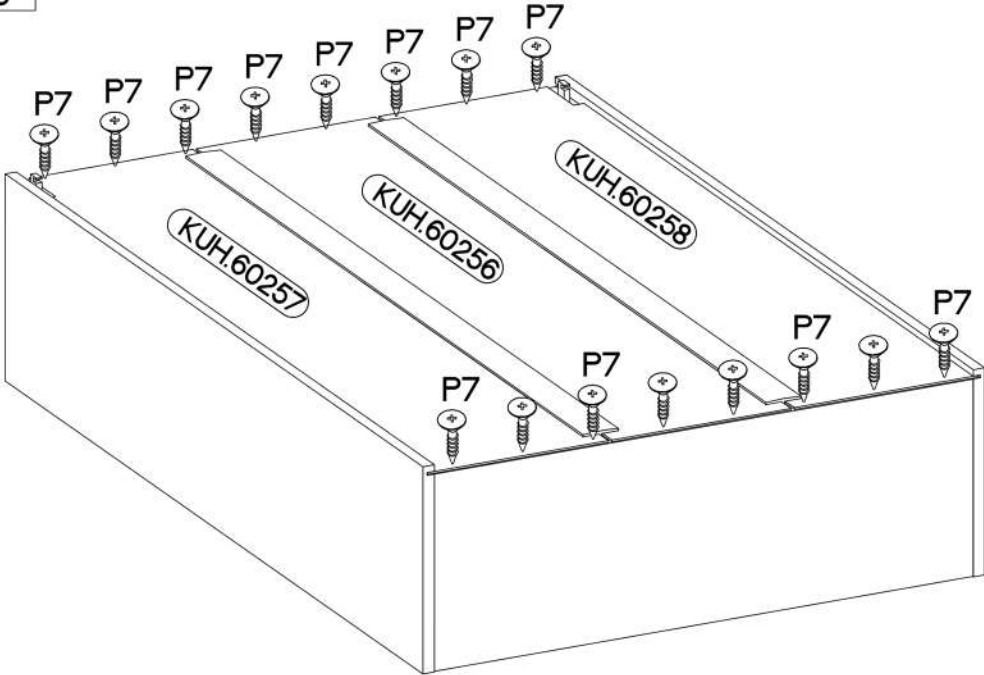
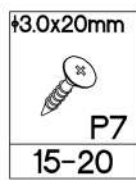


6,4 x 50mm		
		
B	O	E1
4	1	4

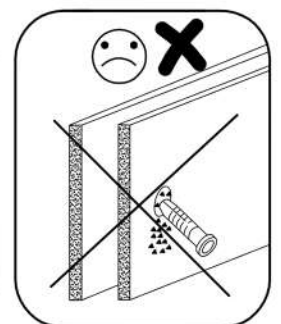
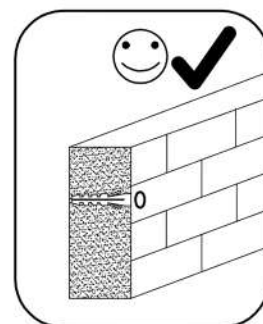
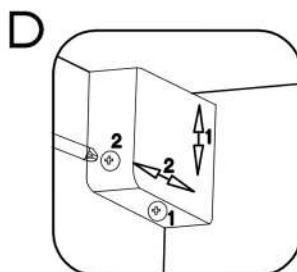
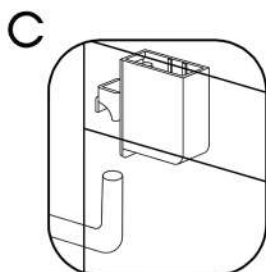
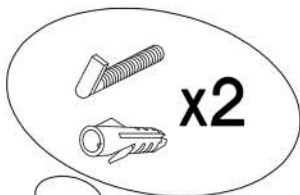
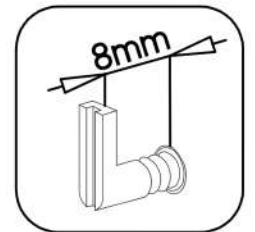
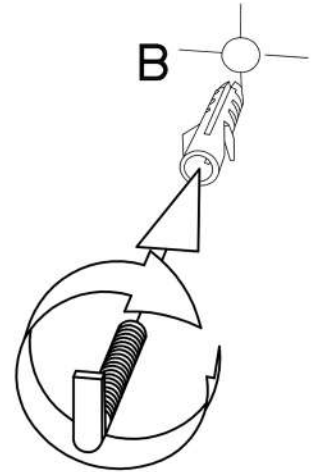
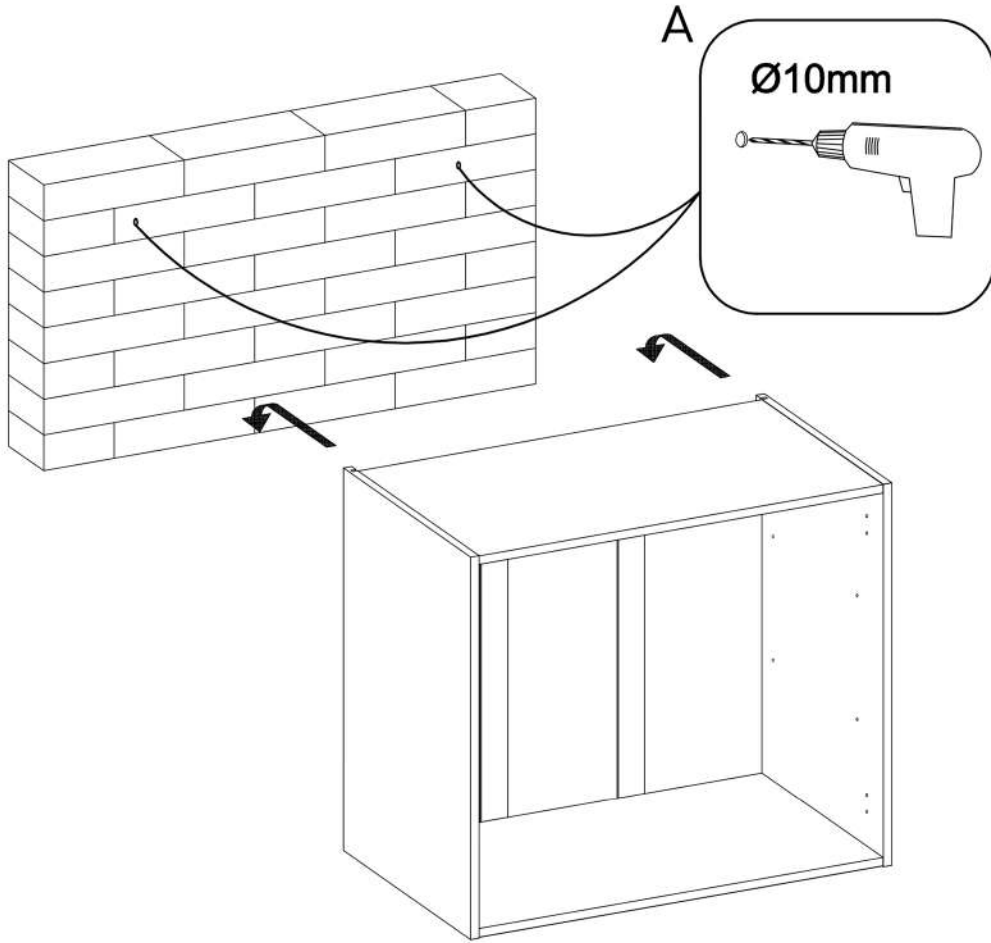
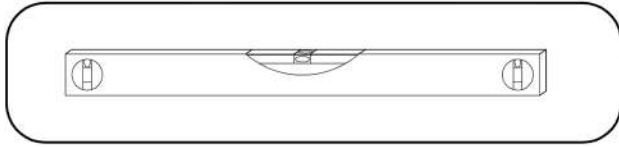
4

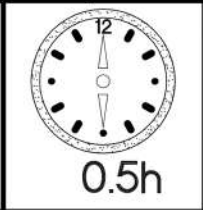
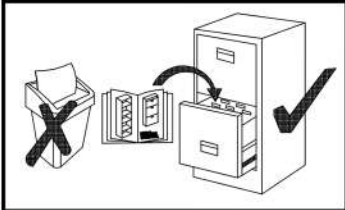
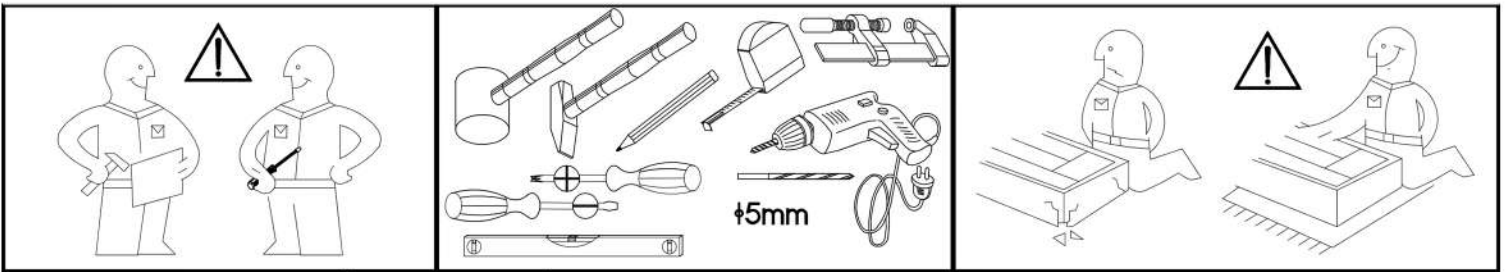


5

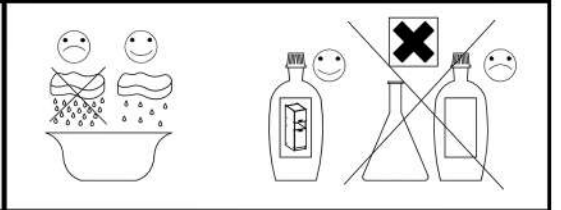


6

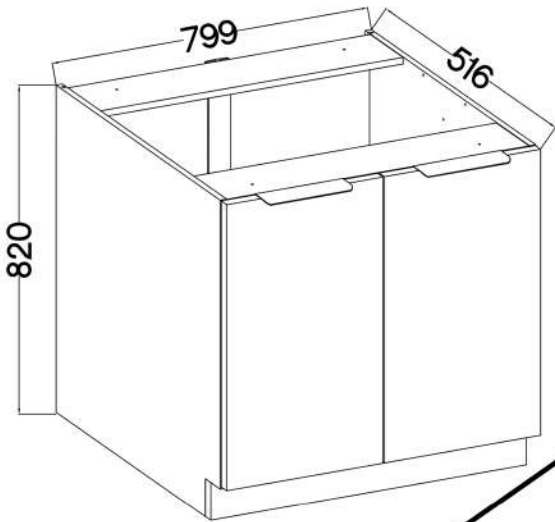




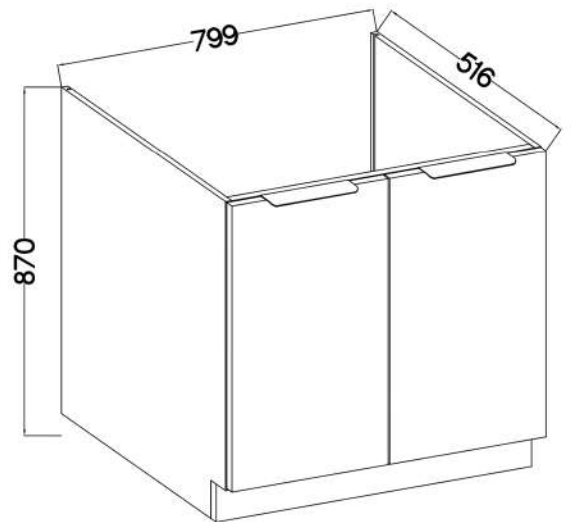
713x396



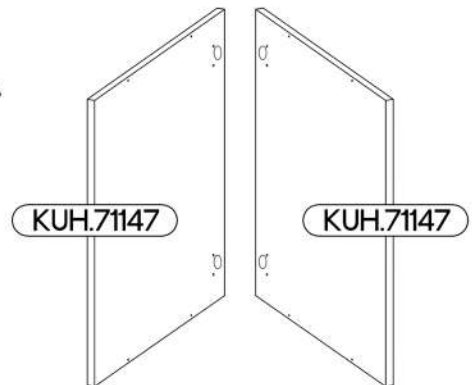
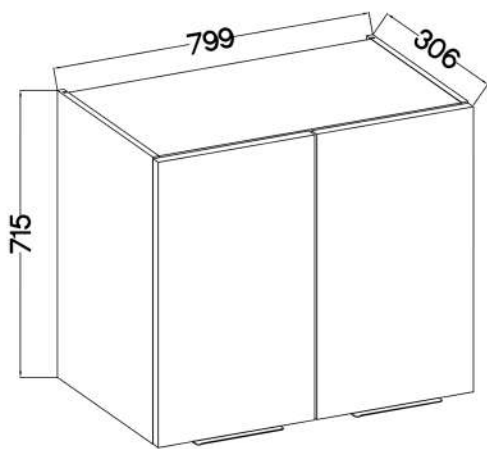
80 D 2F BB



80 ZL 2F BB



80 G-72 2F

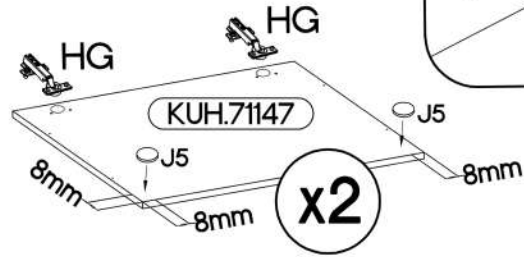
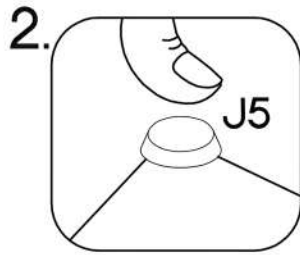
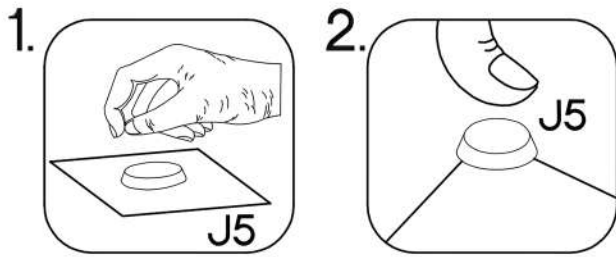
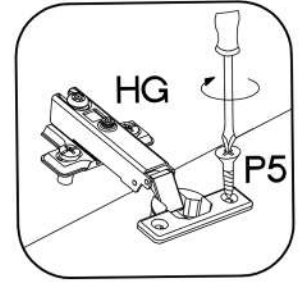


L=192mm	$\pm 7/2\text{mm}$
S	J5
2	4

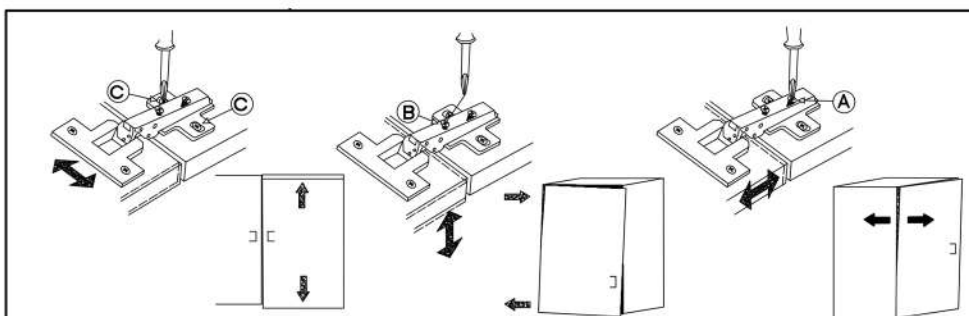
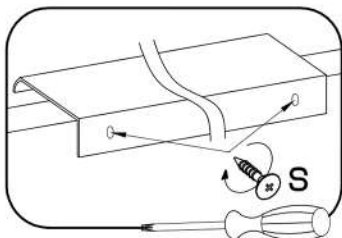
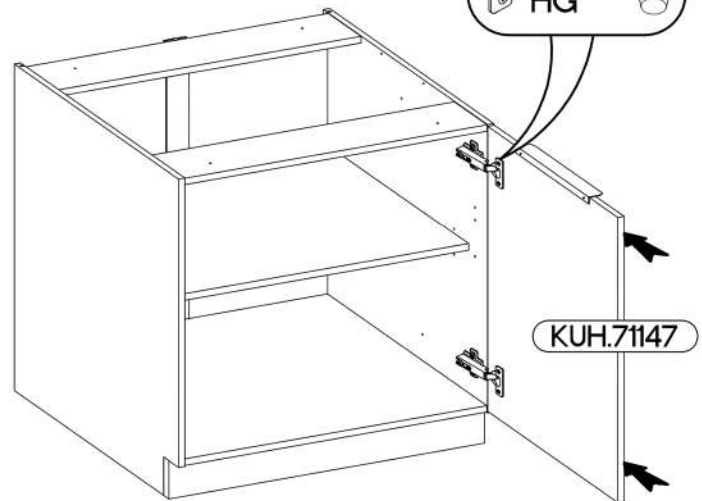
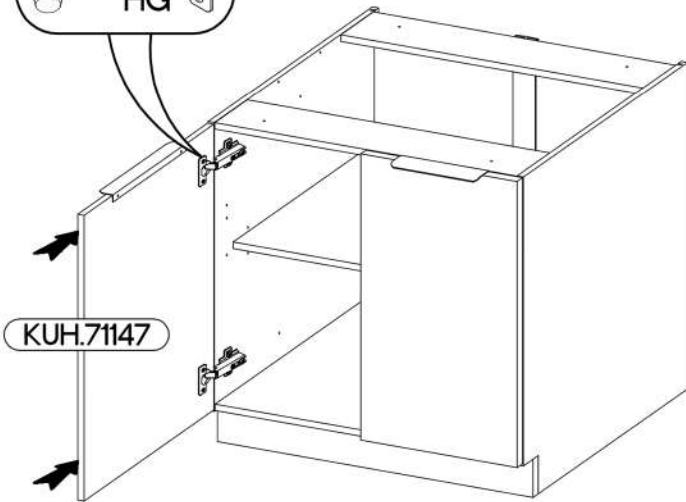
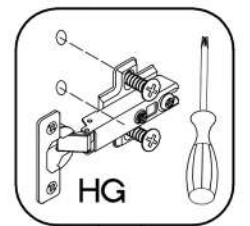
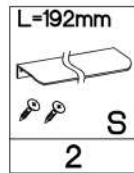
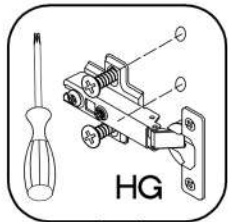
KUH.71147 x2 | 713x396x16

1 80 D 2F BB

±35/0mm [CD] HG 4	±3.5x13mm P5 8	±7/2mm J5 4
-------------------------	----------------------	-------------------

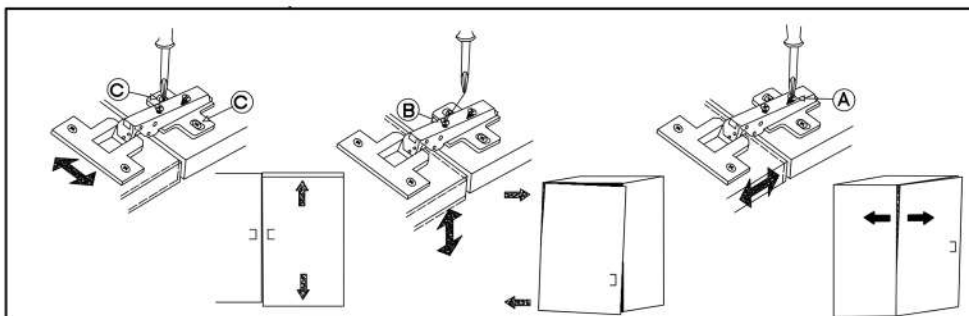
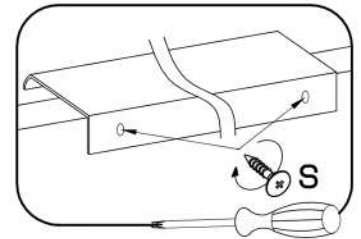
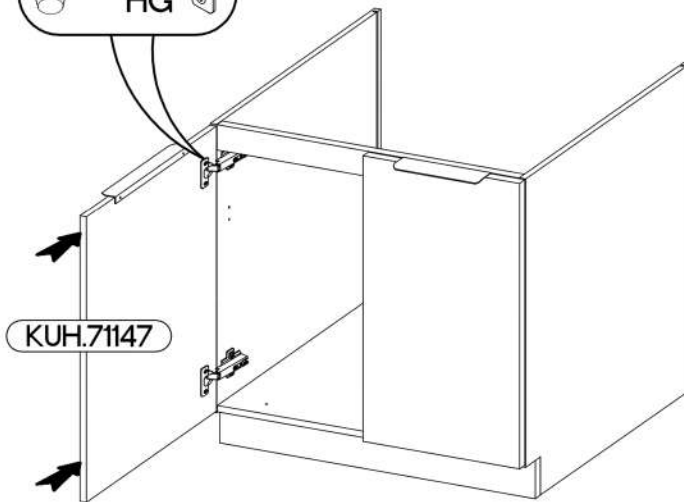
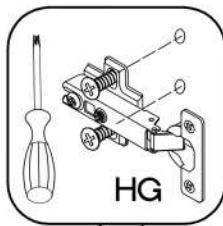
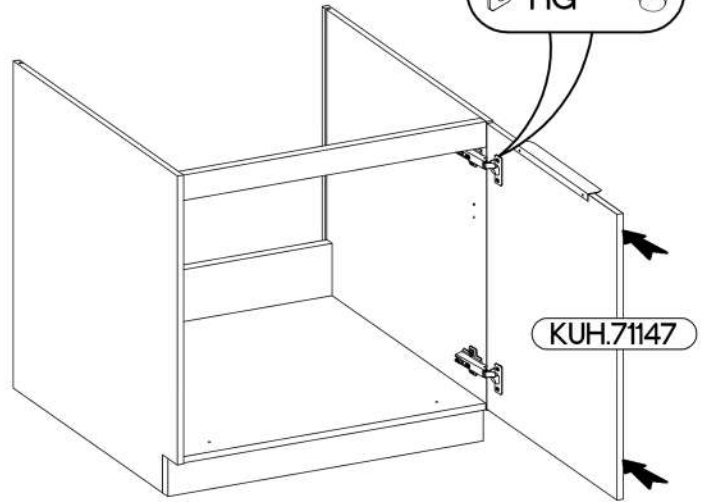
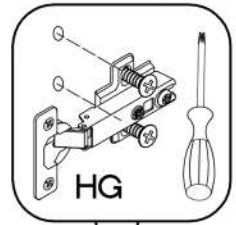


2



3

80 ZL 2F BB



4

80 G-72 2F

