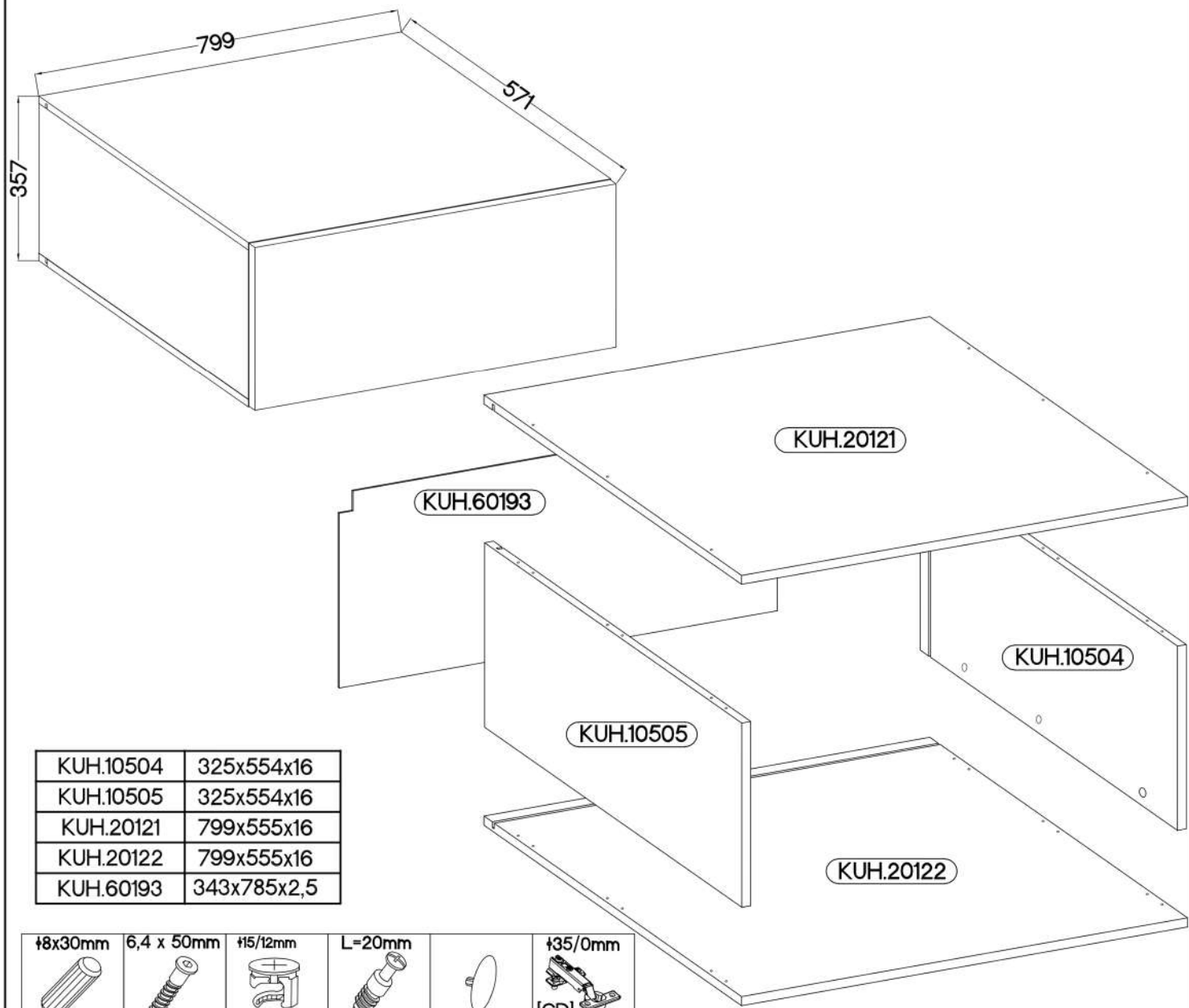


ARSANY 80 NAGU-36



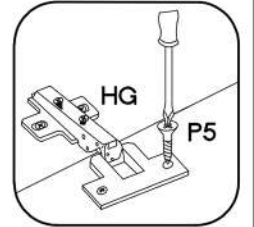
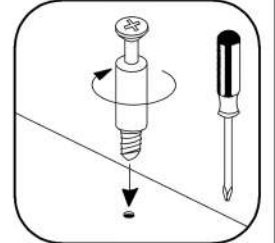
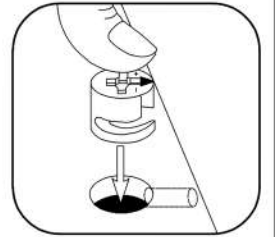
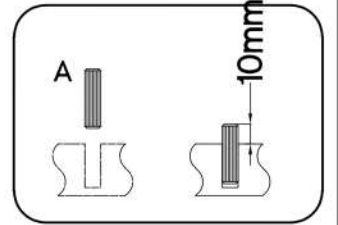
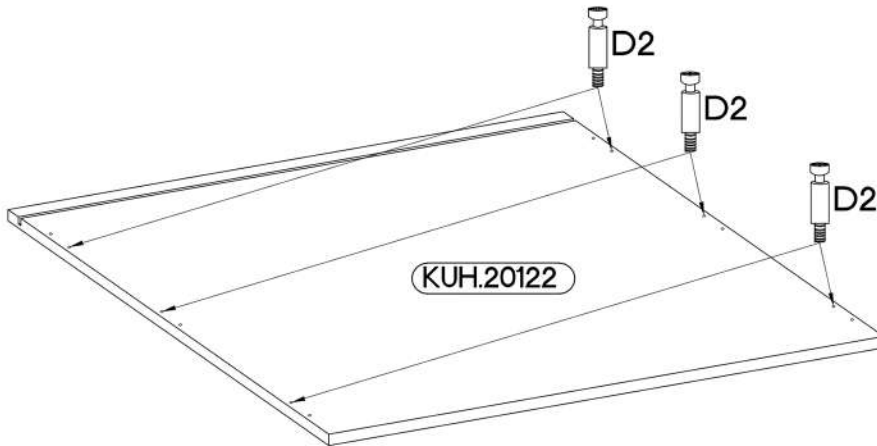
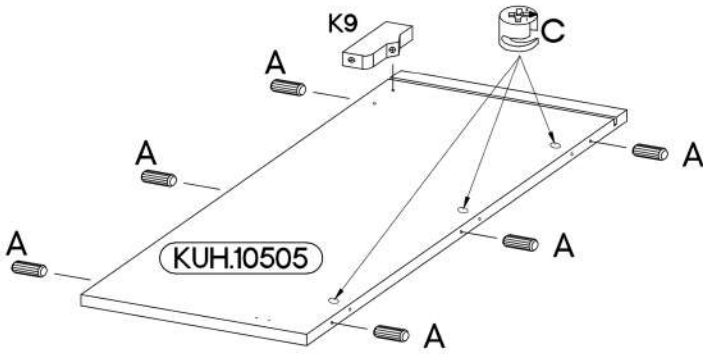
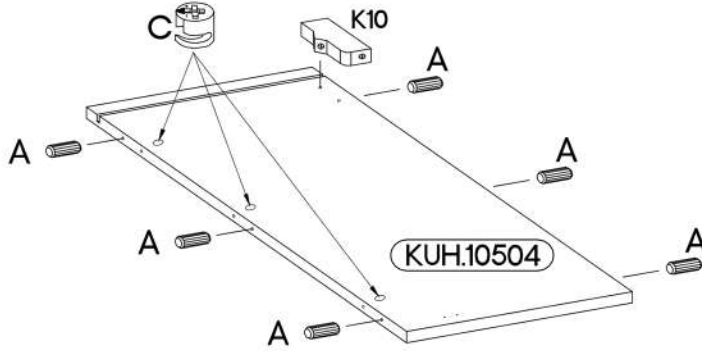
KUH.10504	325x554x16
KUH.10505	325x554x16
KUH.20121	799x555x16
KUH.20122	799x555x16
KUH.60193	343x785x2,5

$\varnothing 8 \times 30 \text{mm}$ A 12	6,4 x 50mm B 6	$\varnothing 15 / 12 \text{mm}$ C 6	L=20mm D2 6	E 6	$\varnothing 35 / 0 \text{mm}$ [CD] HG 2
L K9 1	R K10 1	K24 2	L 6	O 1	$\varnothing 3.5 \times 13 \text{mm}$ P5 4

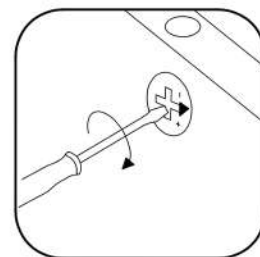
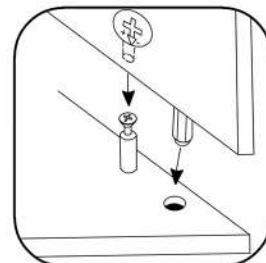
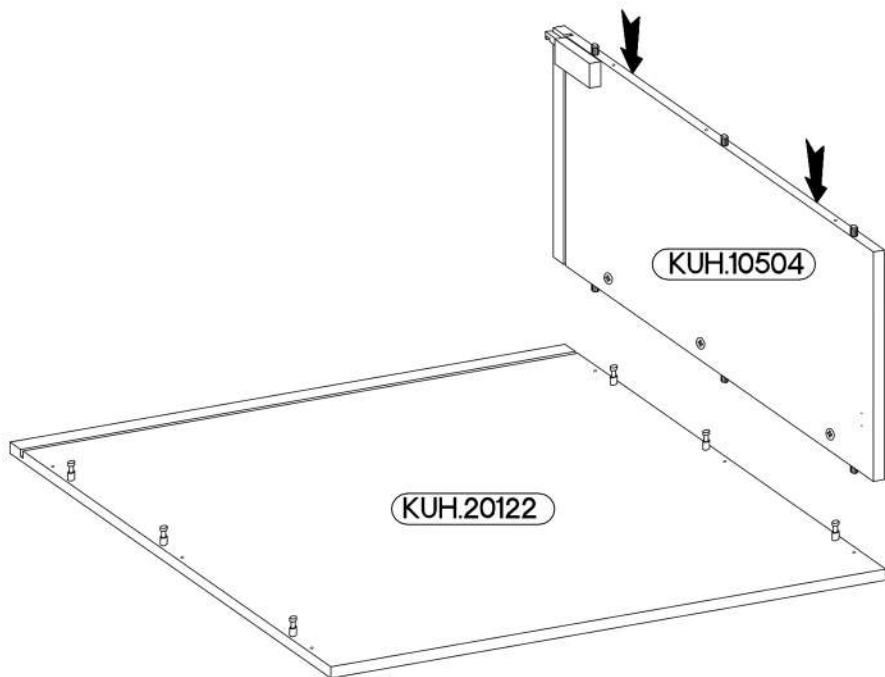


1

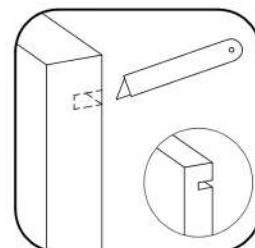
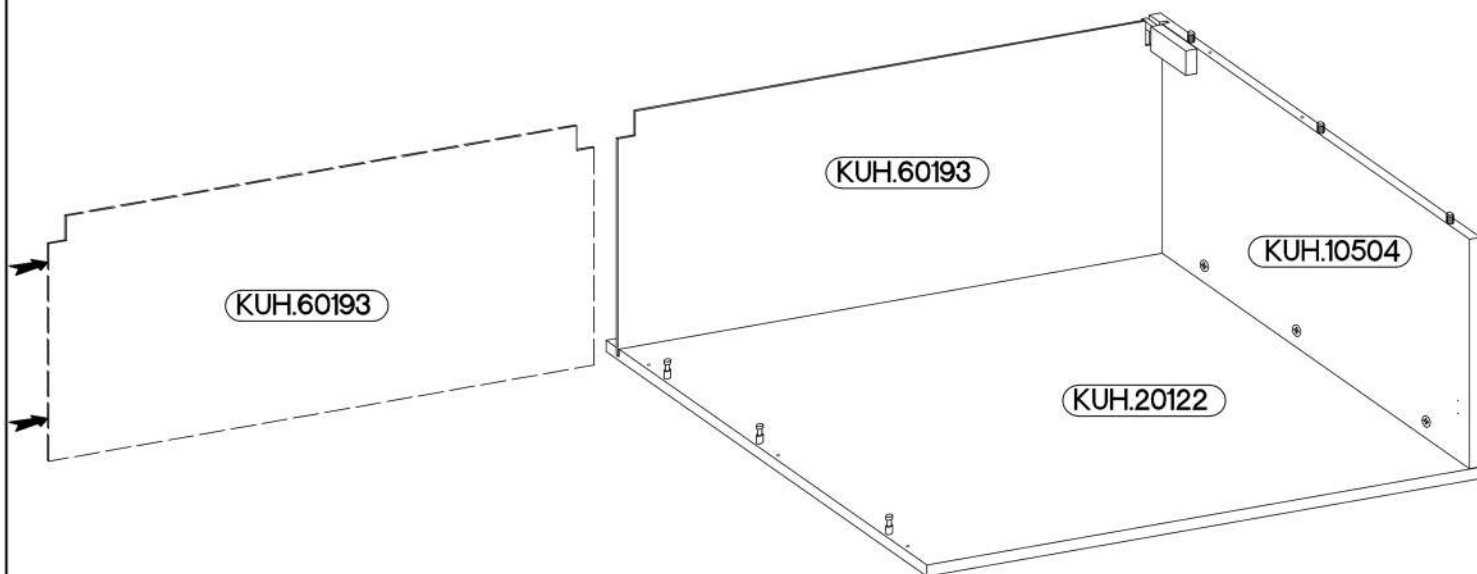
$\pm 8 \times 30 \text{mm}$ A 12	L K9 1	R K10 1	$\pm 15 / 12 \text{mm}$ C 6	L=20mm D2 6
--	--------------	---------------	-----------------------------------	-------------------



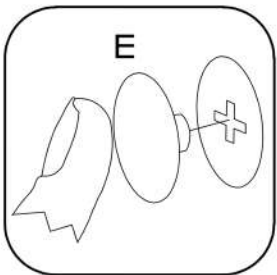
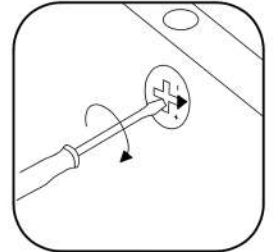
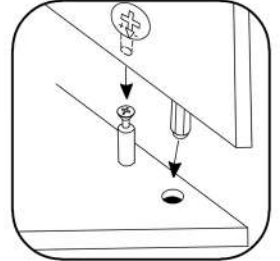
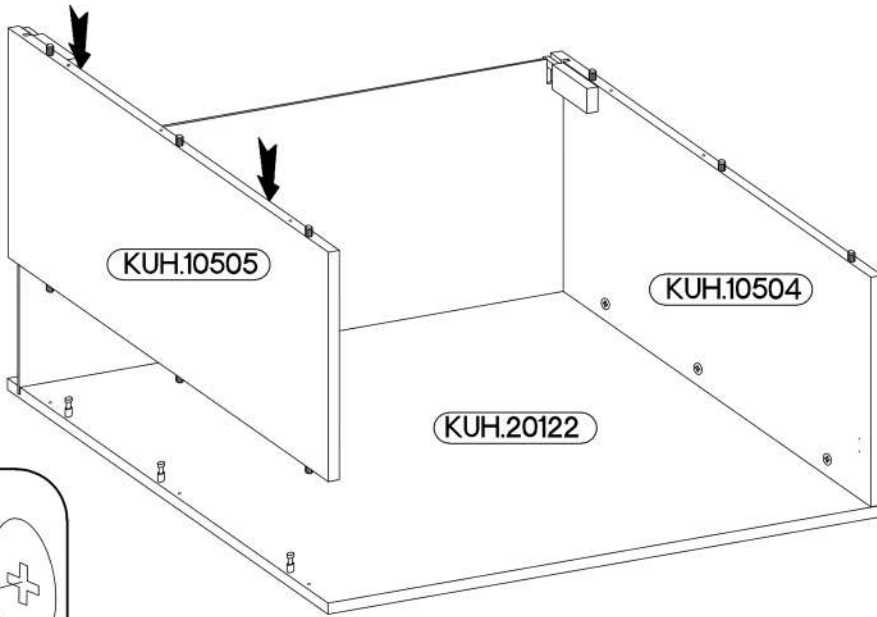
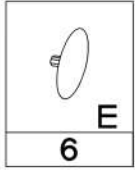
2



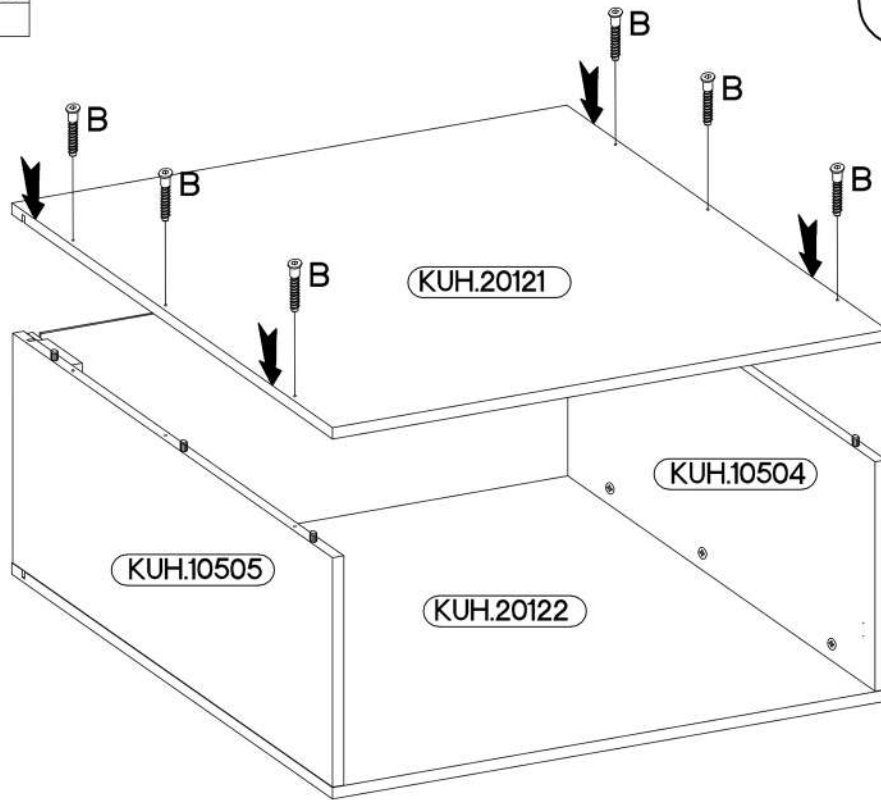
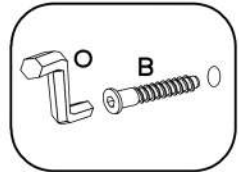
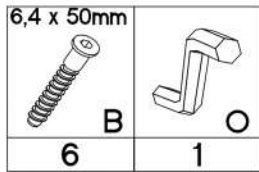
3



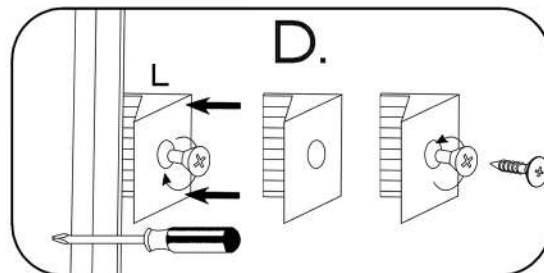
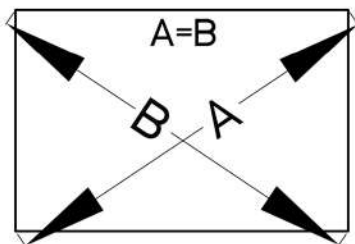
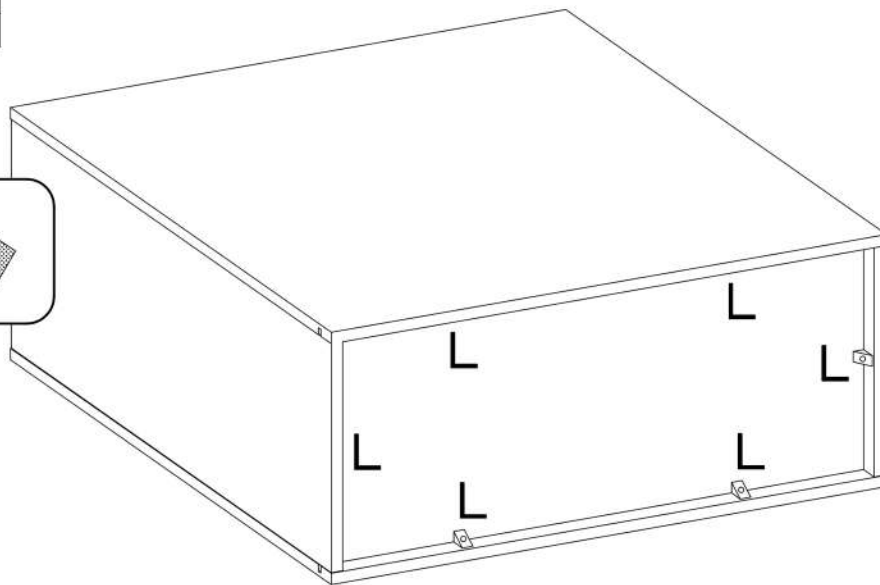
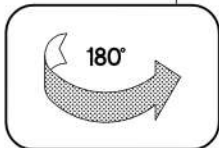
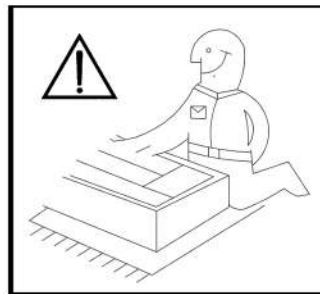
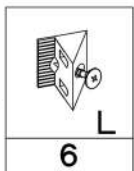
4



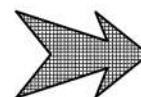
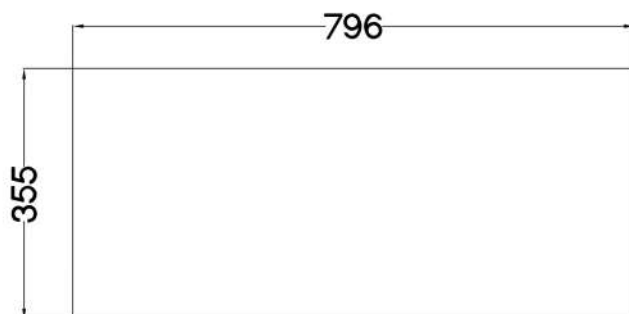
5



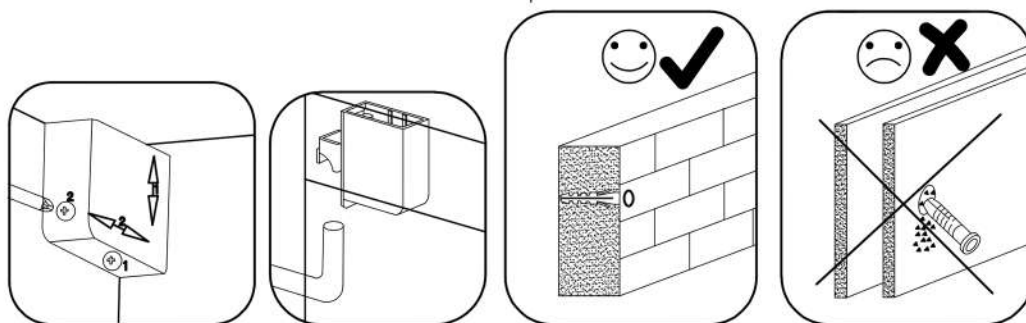
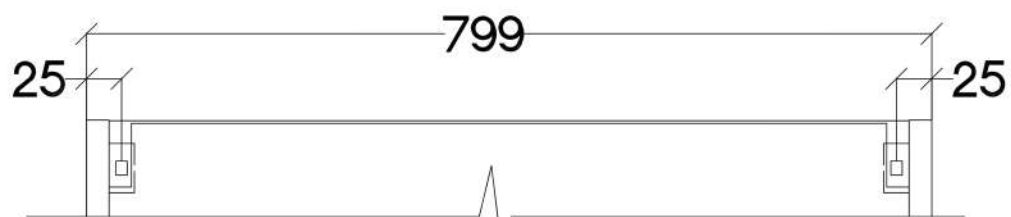
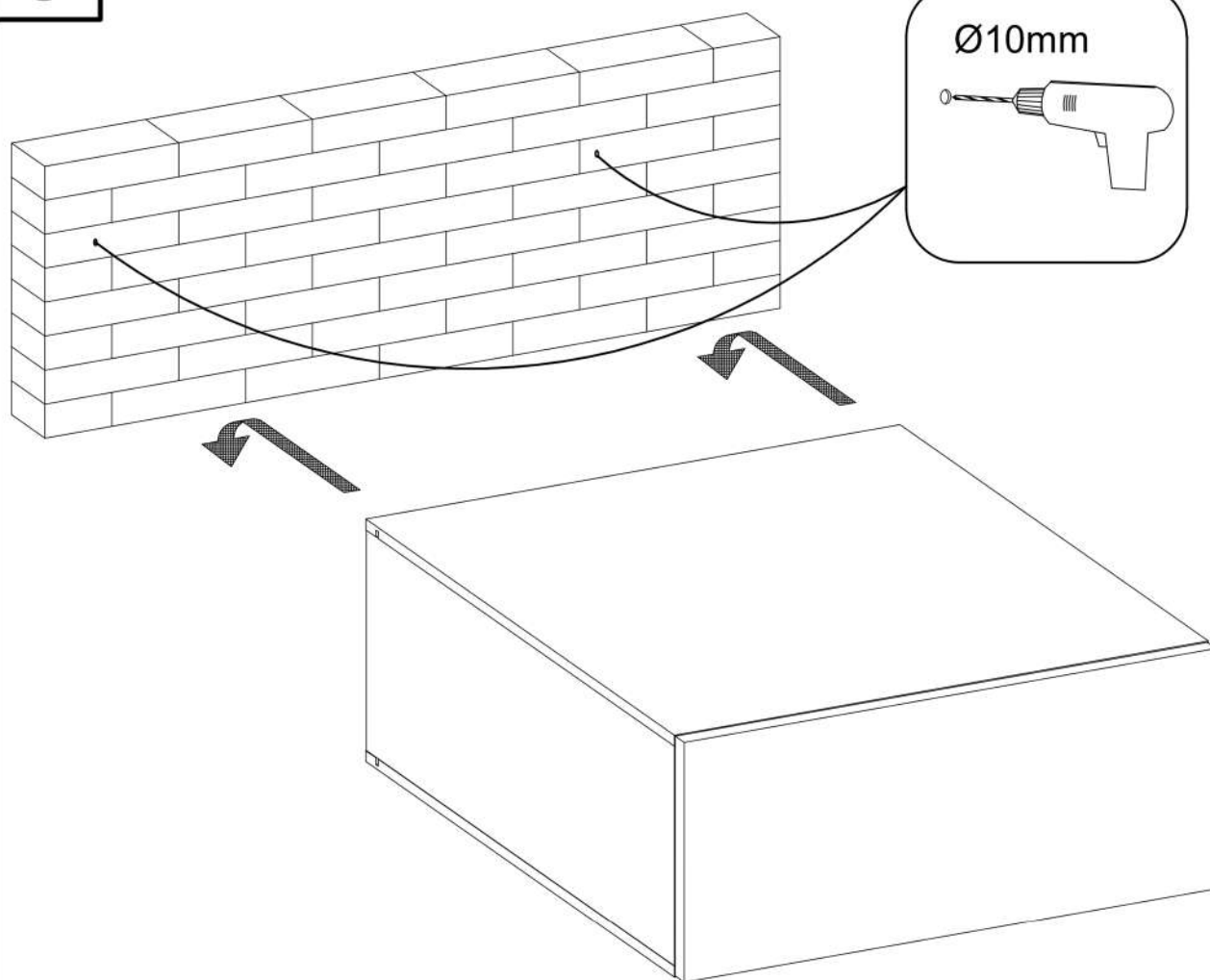
6

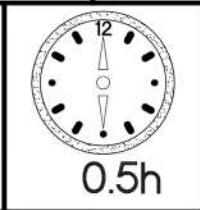
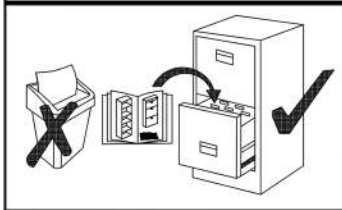
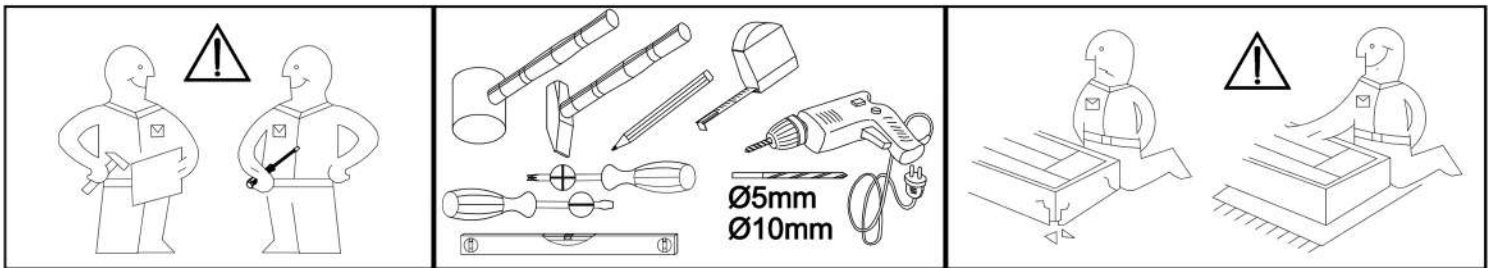


7

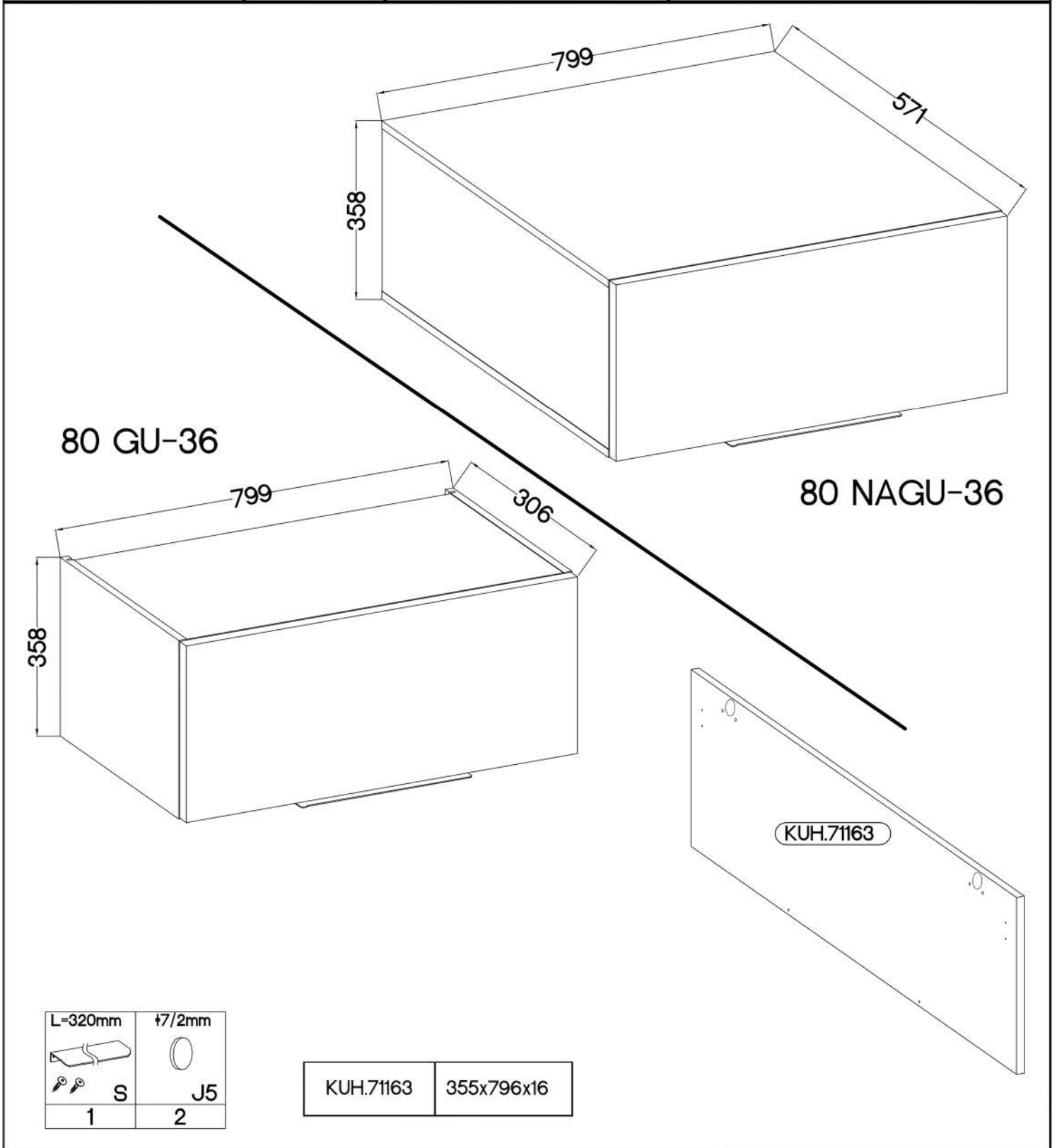
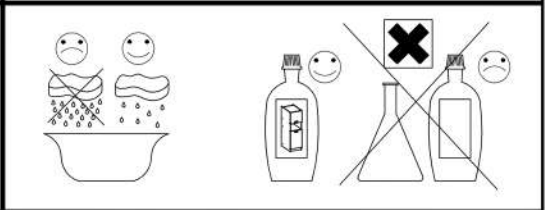


8







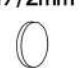
355x796

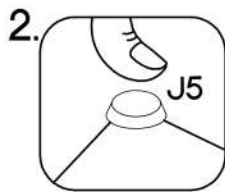
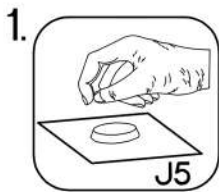
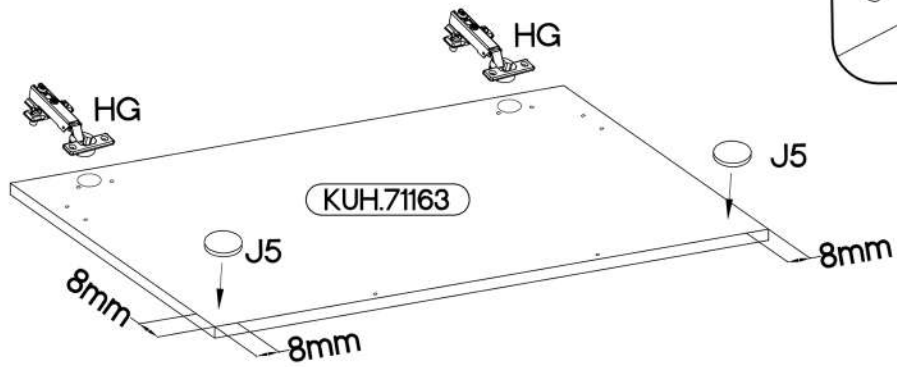
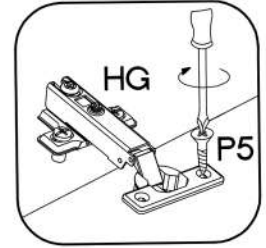


L=320mm	±7/2mm
S	J5
1	2

KUH.71163	355x796x16
-----------	------------

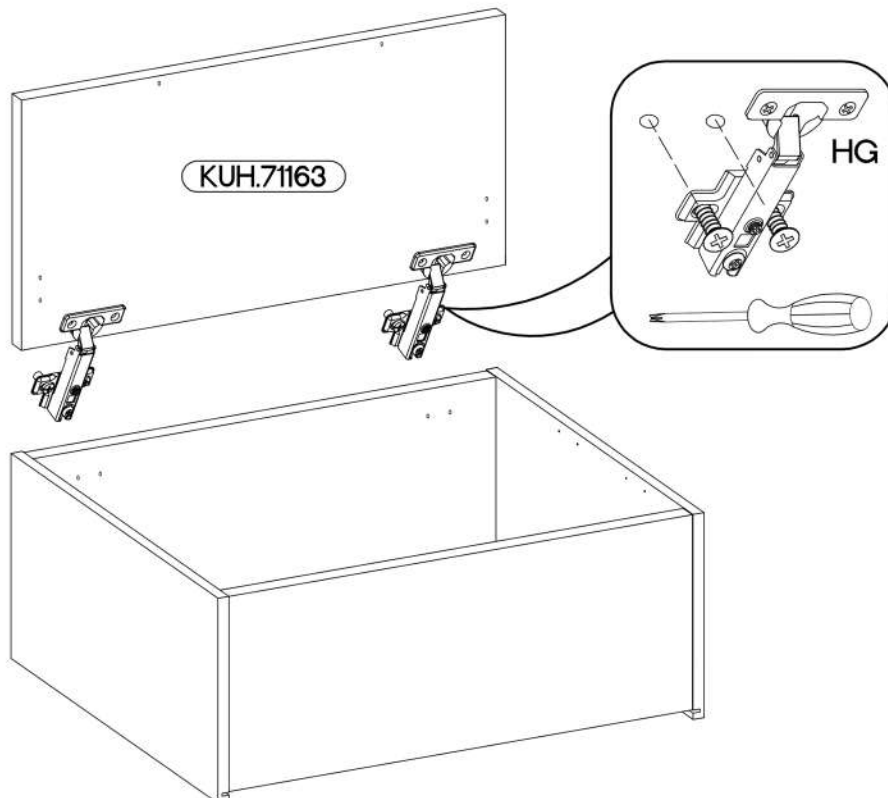
1

$\pm 35/0\text{mm}$  [CD] HG 2	$\pm 3.5 \times 13\text{mm}$  P5 4	$\pm 7/2\text{mm}$  J5 2
--	--	--

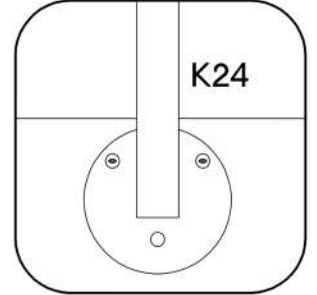
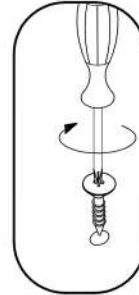
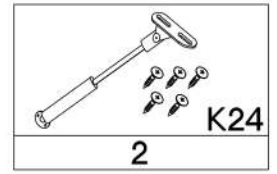
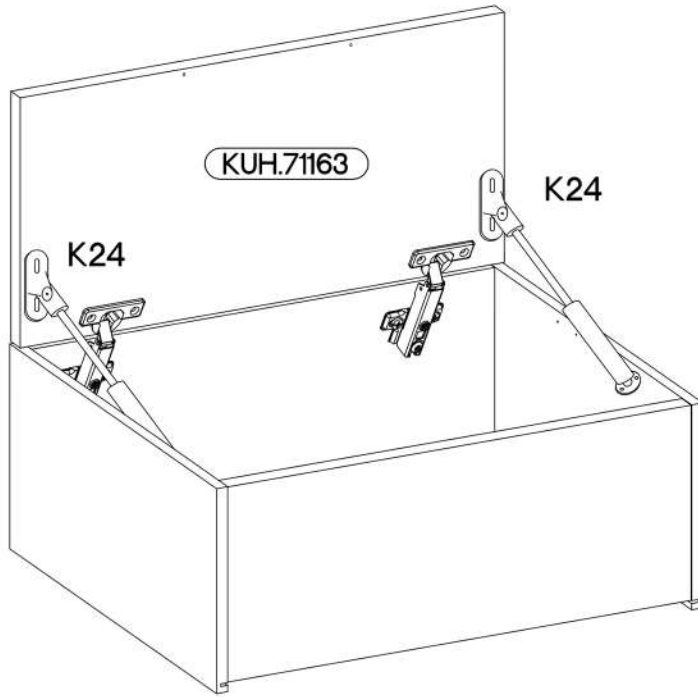


2

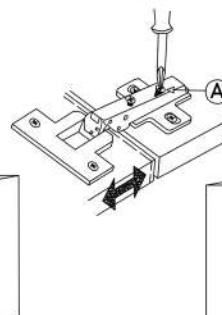
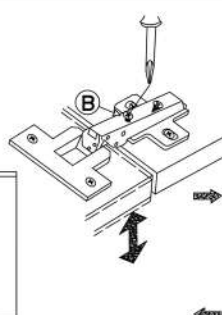
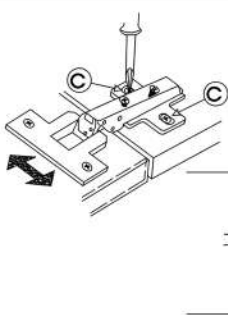
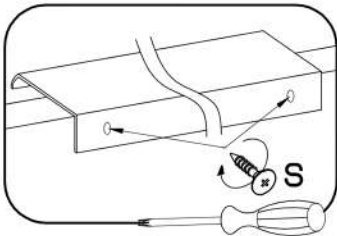
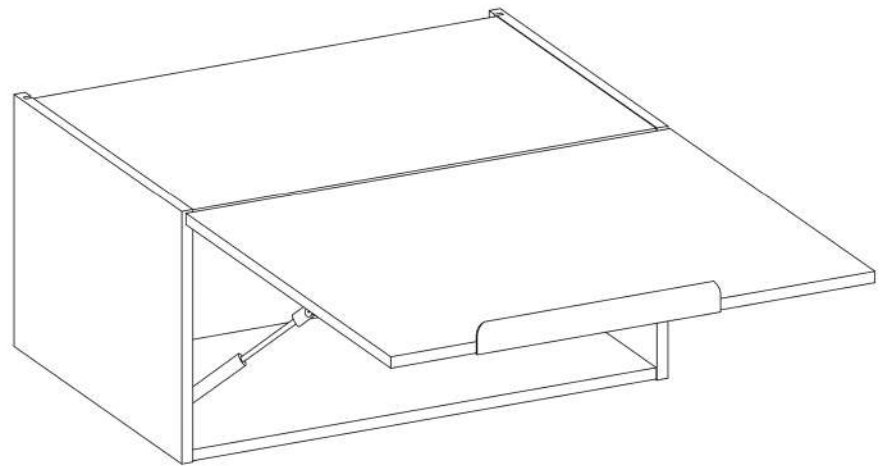
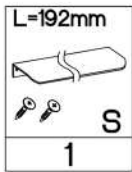
80 GU-36



3

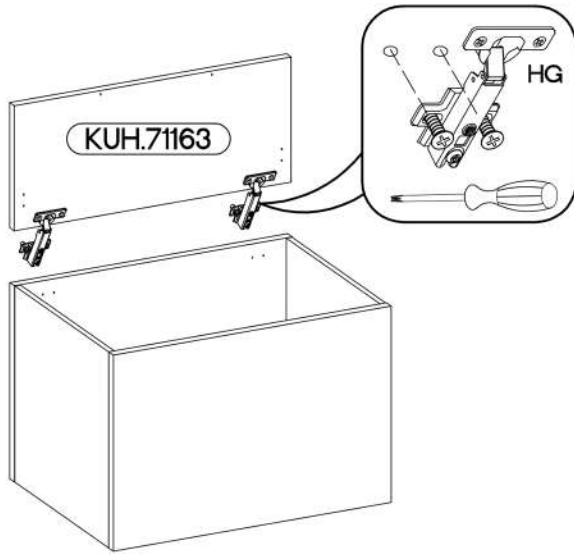


4

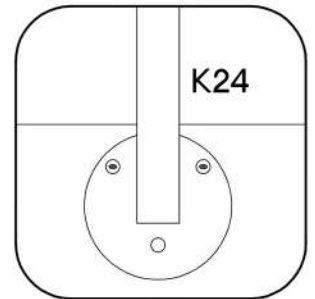
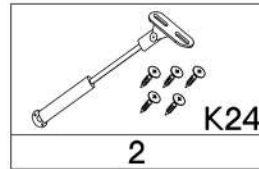
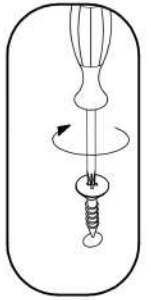
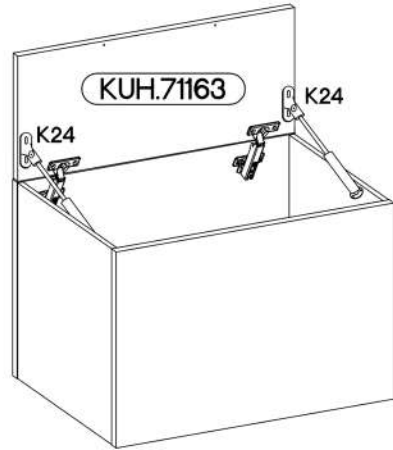


5

80 NAGU-36



6



7

