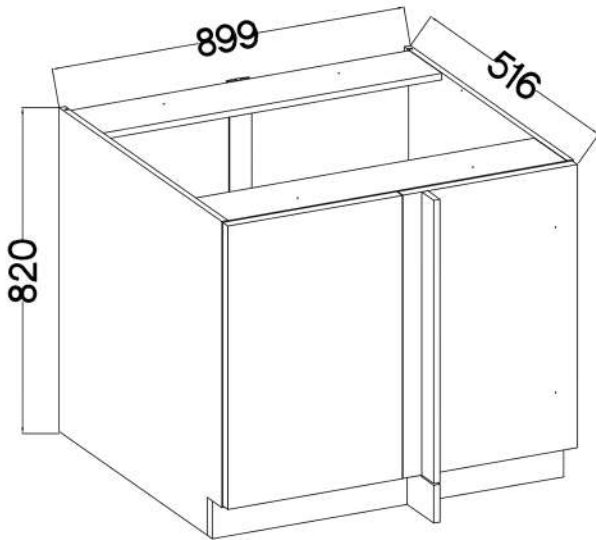


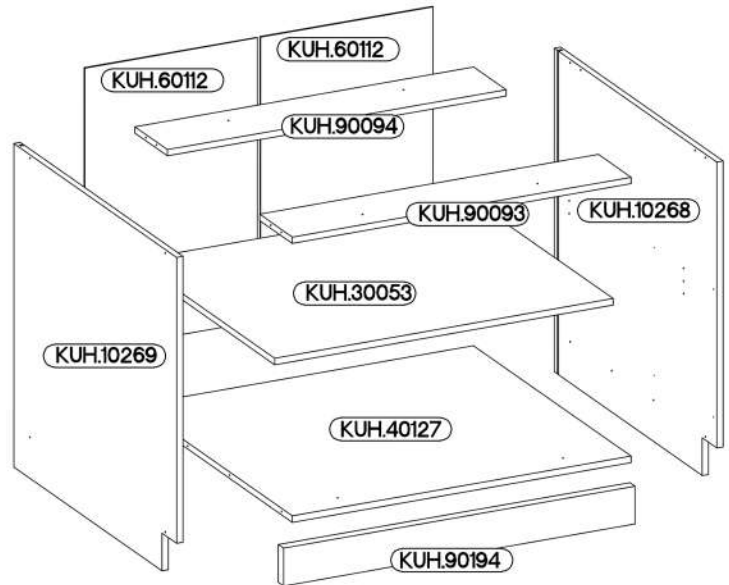
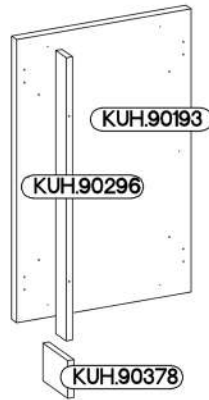
# ARSANY 105 ND 1F BB



KUH.30053  
KUH.40127

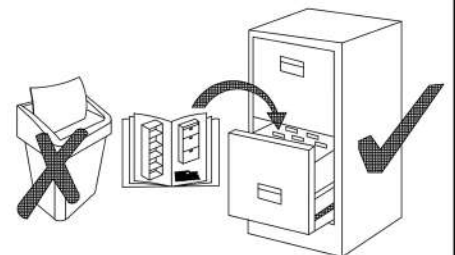


KUH.10268	815x500x16
KUH.10269	815x500x16
KUH.30053	866x430x16
KUH.40127	867x485x16
KUH.60112 x2	713x441x2,5
KUH.90296	713x32x16
KUH.90378	77x95x16
KUH.90093	867x100x16
KUH.90094	867x100x16
KUH.90193	713x446x16
KUH.90194	899x95x16

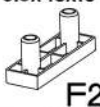



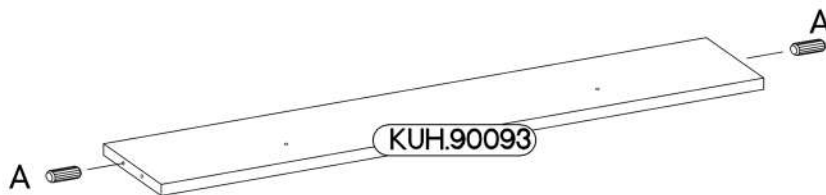
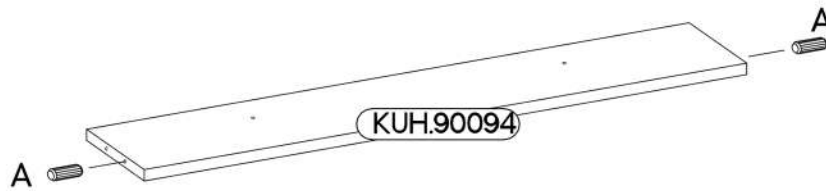
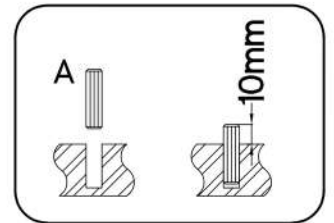
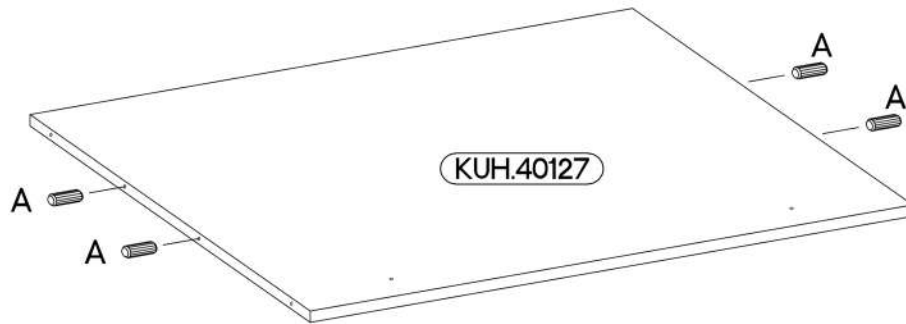
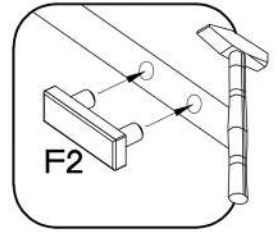
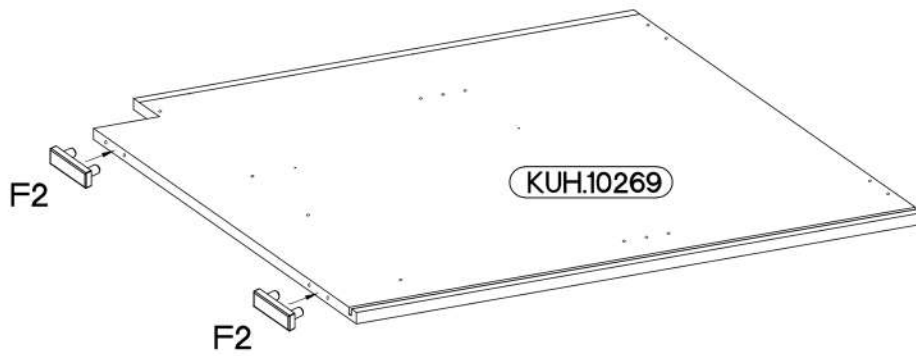
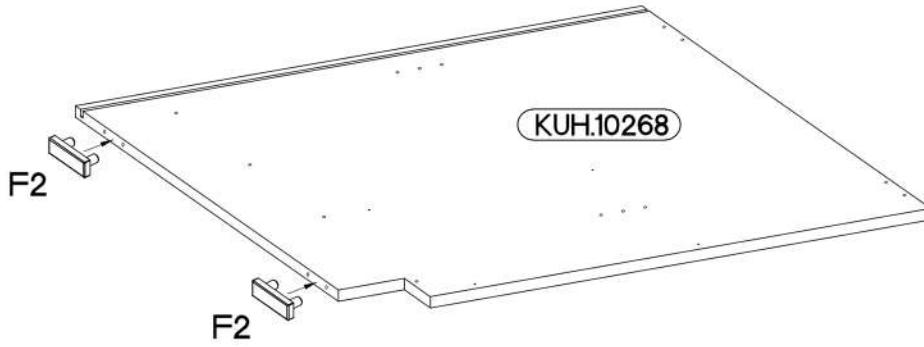
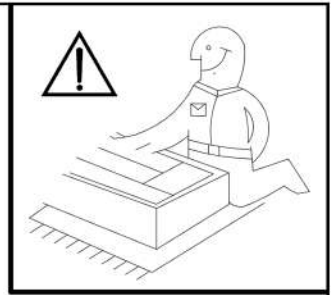
†8x30mm	6,4 x 50mm	†6.4x35mm
A	B	B1
8	8	2

E1	E9	F2	HG6	J	L1	O
8	2	4	2	4	1	1
†4.0x16mm	†4.0x45mm	†3.5x13mm	†3.0x20mm	†4.0x35mm		
					T3	T10
P1	P4	P5	P7	R3	T3	T10
10	2	12	15-20	4	5	2



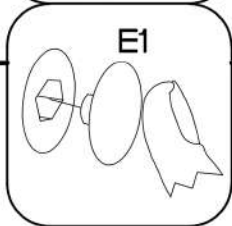
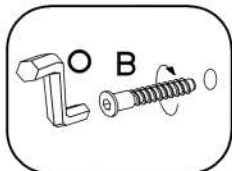
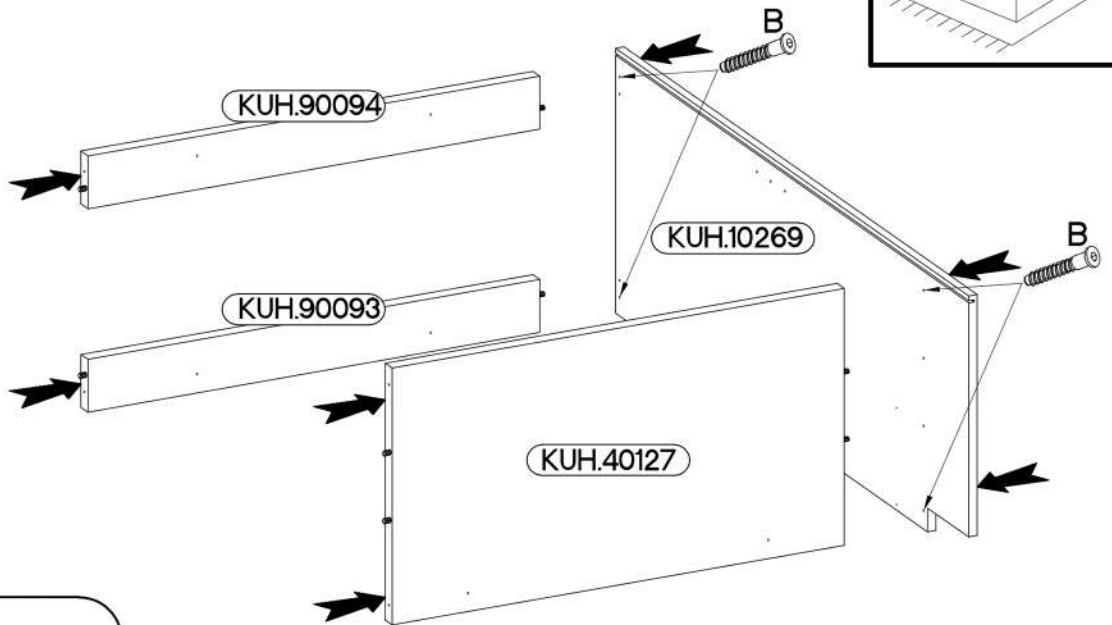
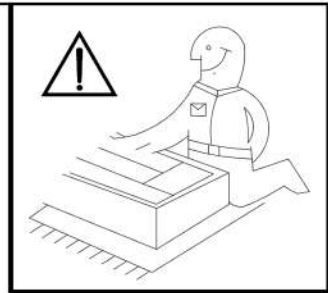
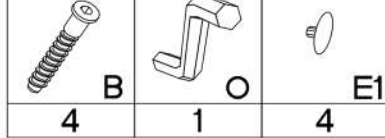
1

6.5x48x16  F2 4	+8x30mm  A 8
---	--

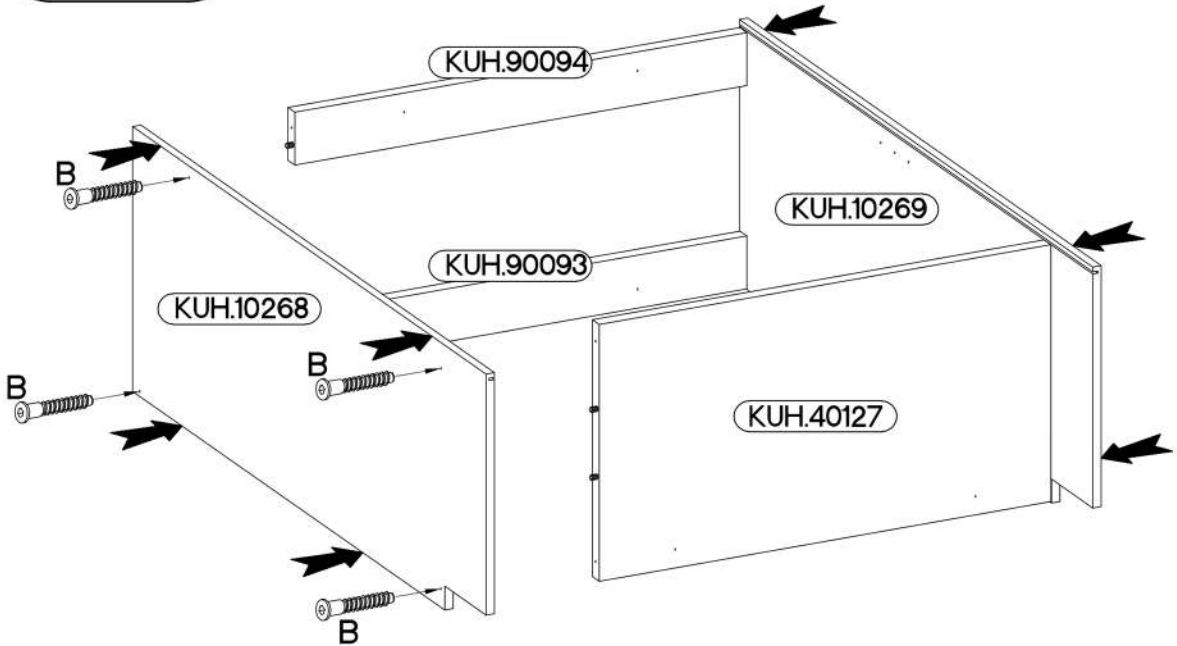


2

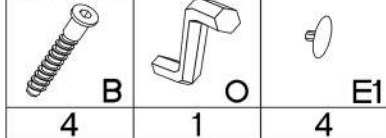
6,4 x 50mm



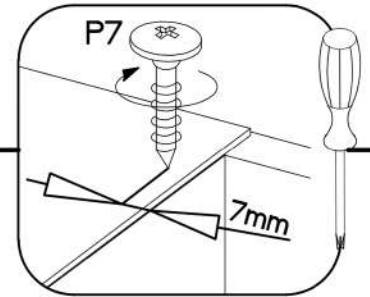
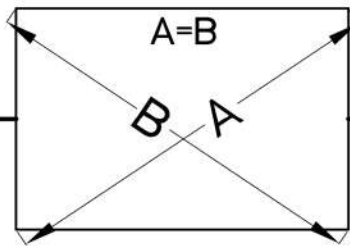
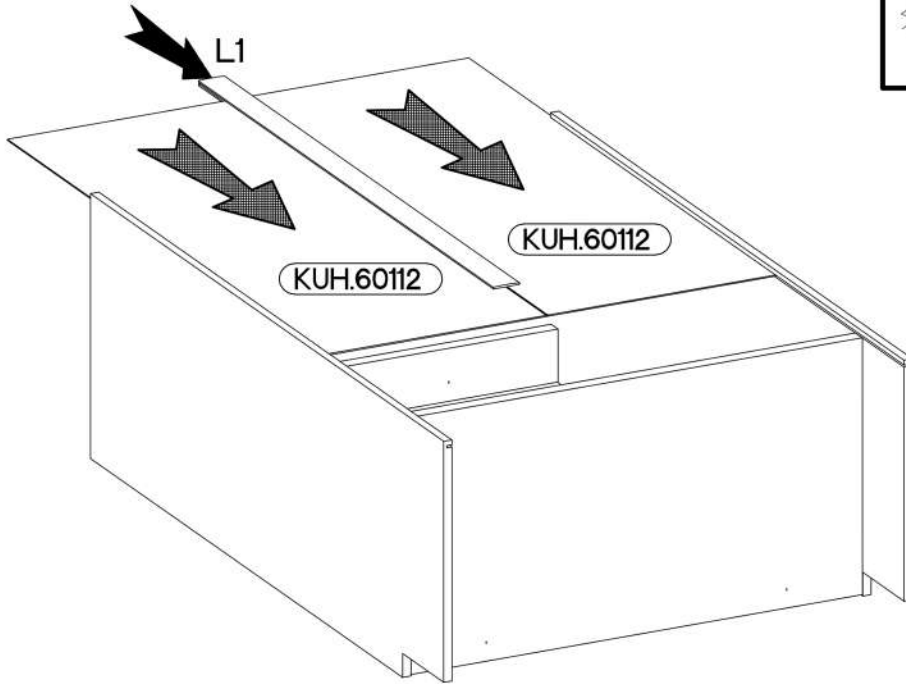
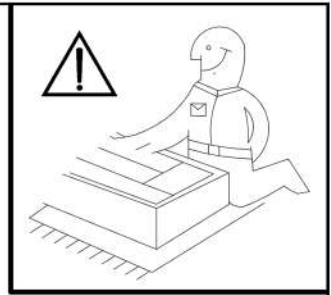
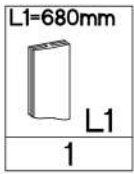
3



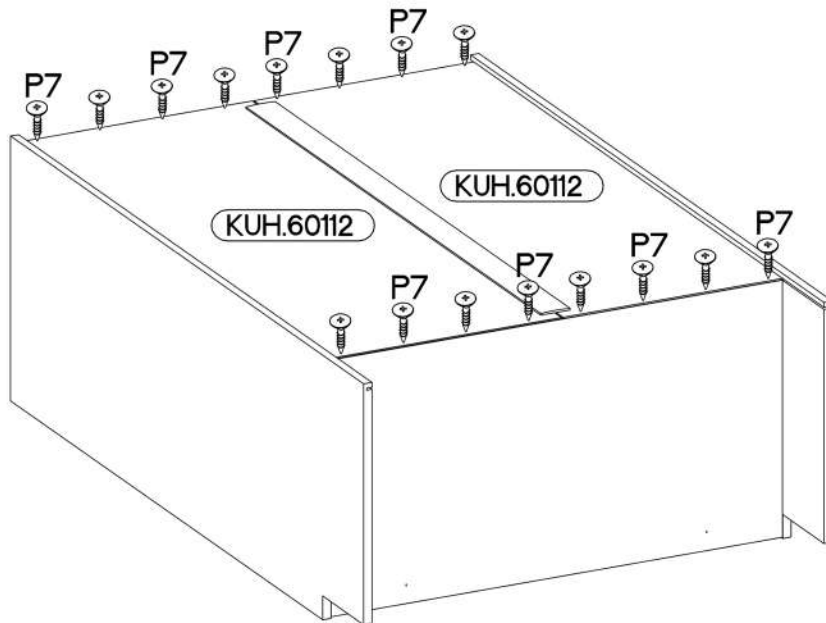
6,4 x 50mm





4

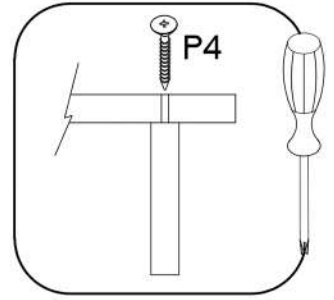
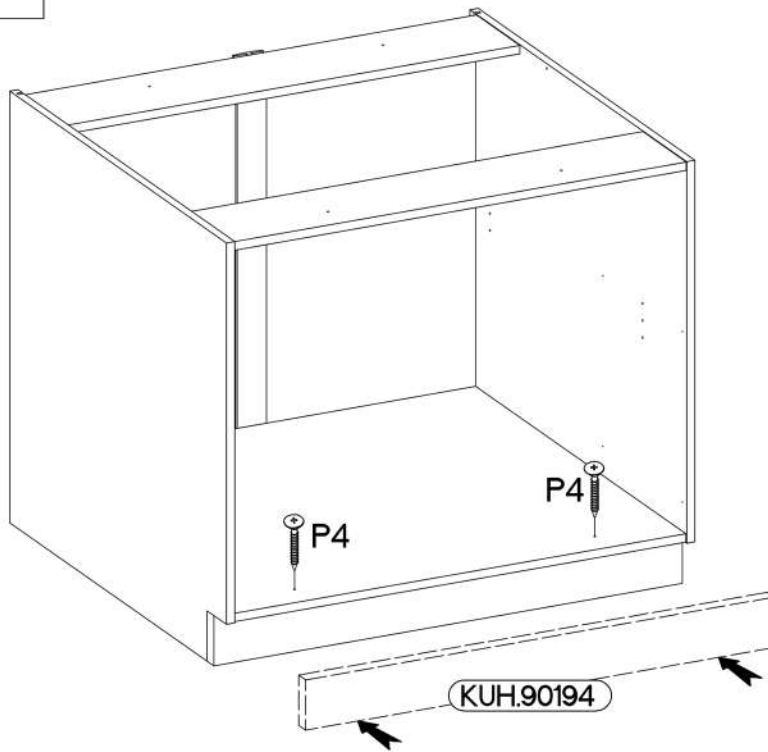


5







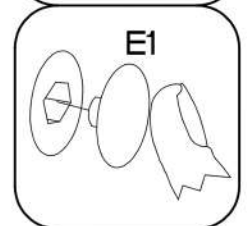
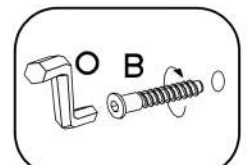
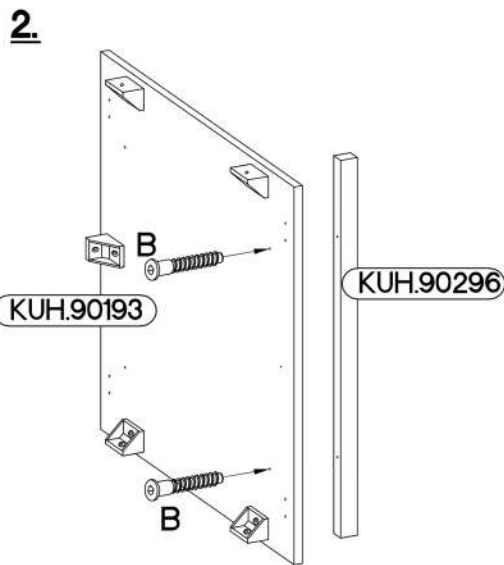
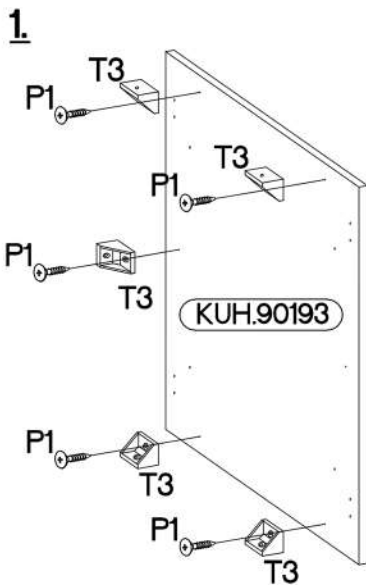
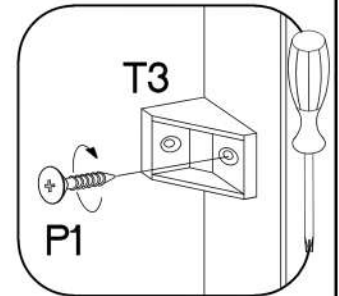
# 6

 +4.0x45mm P4 2	 E9 2
---	--



# 7

 T3 5	 +4.0x16mm P1 5	 +6.4x35mm B1 2	 O 1
--	---	---	---



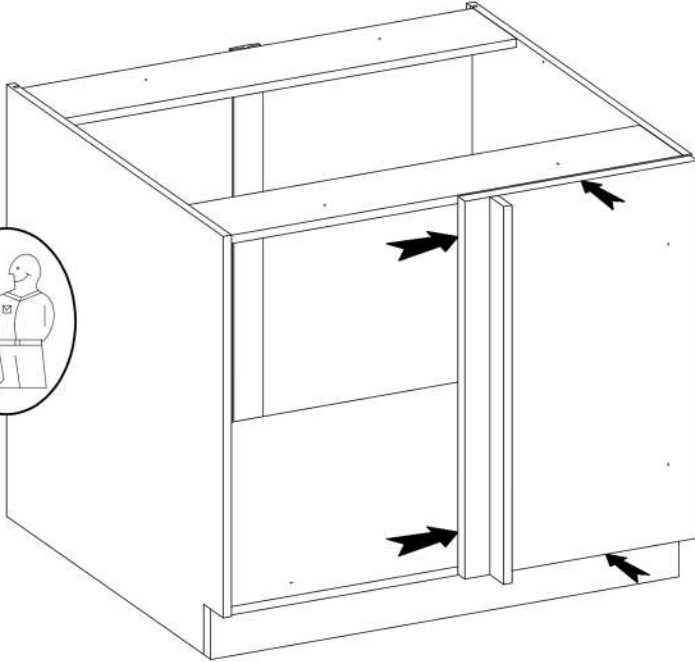
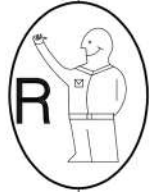
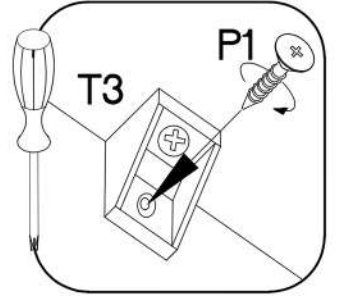
8

+4.0x16mm

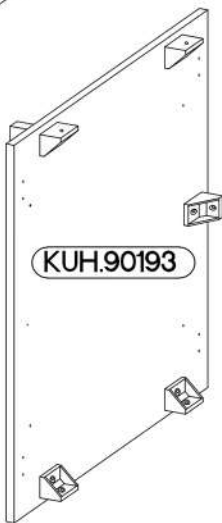


P1

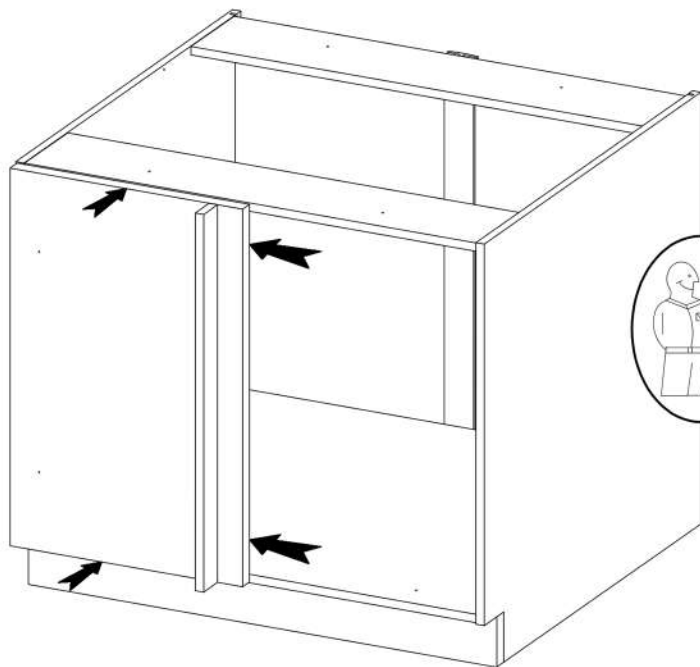
5



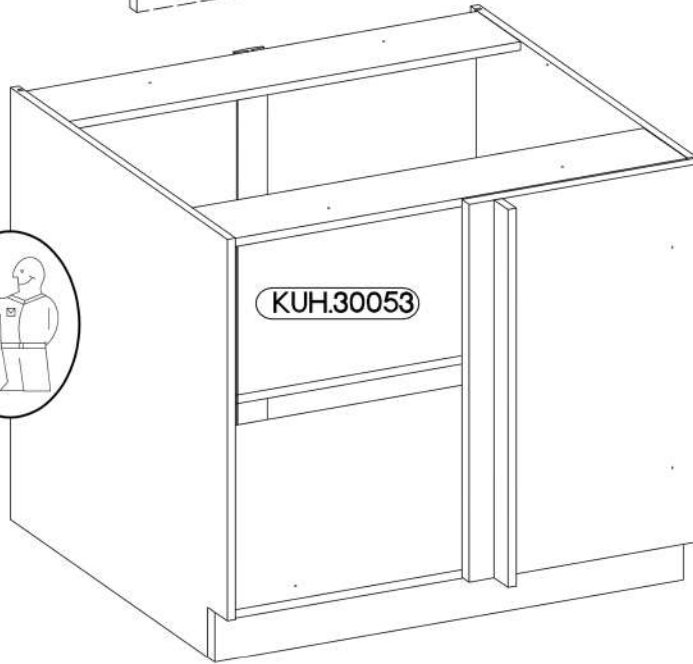
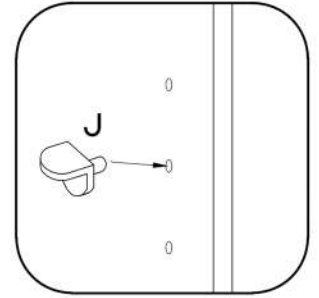
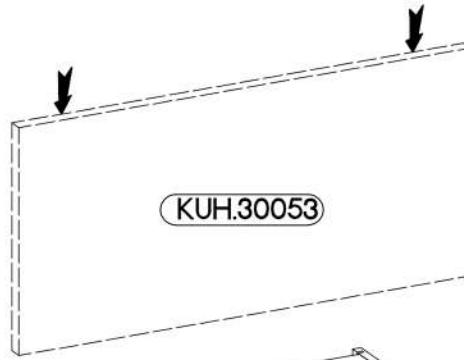
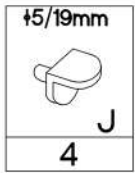
KUH.90193



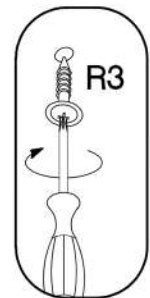
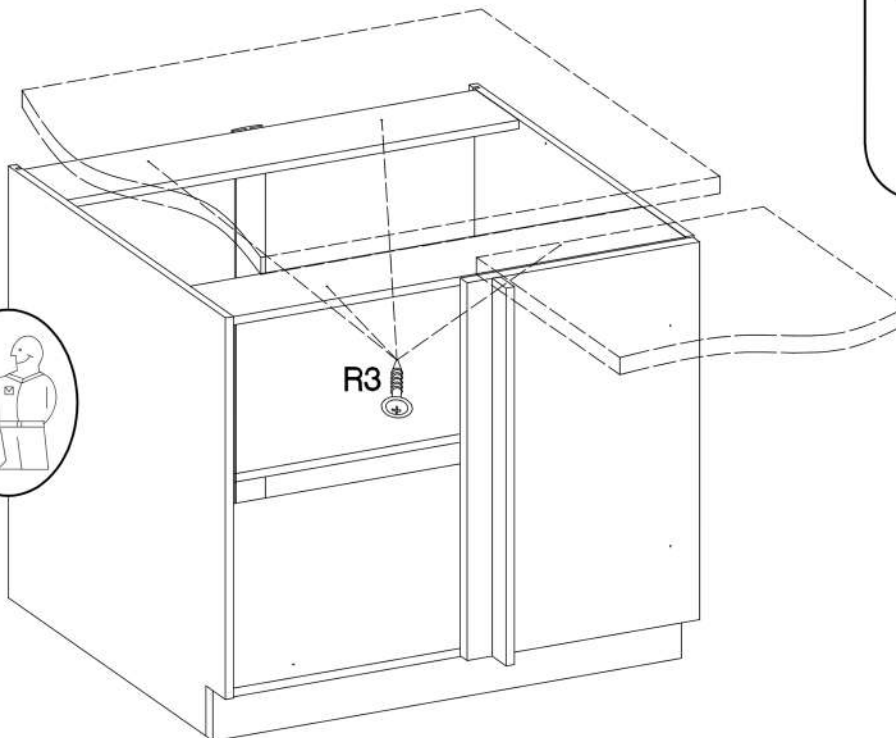
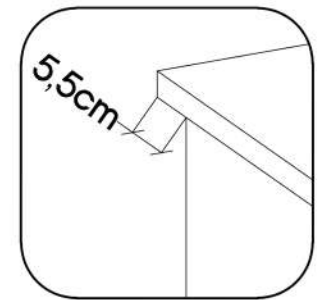
KUH.90193





9

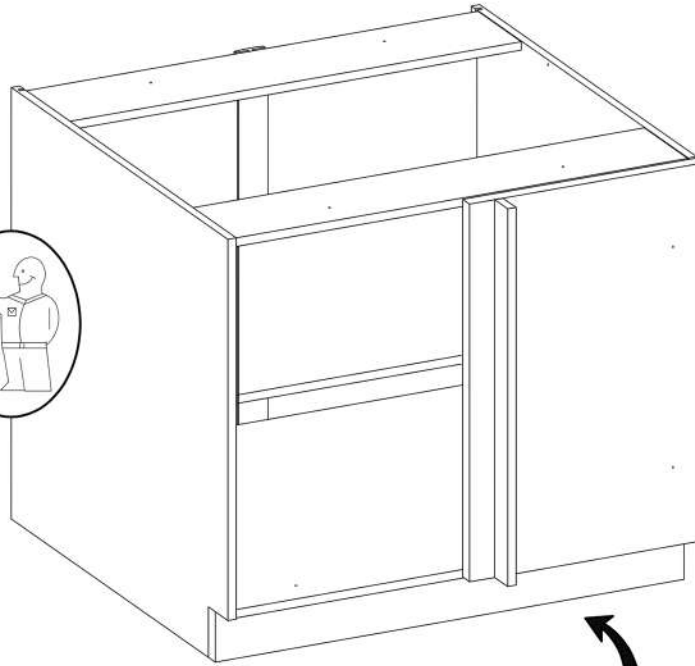
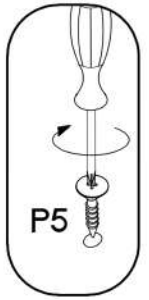


10

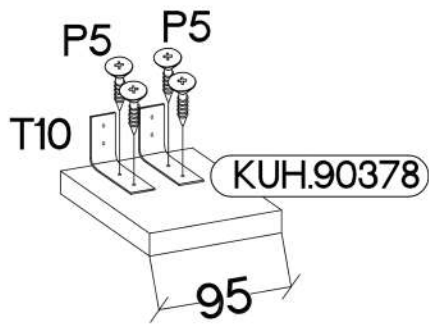


11

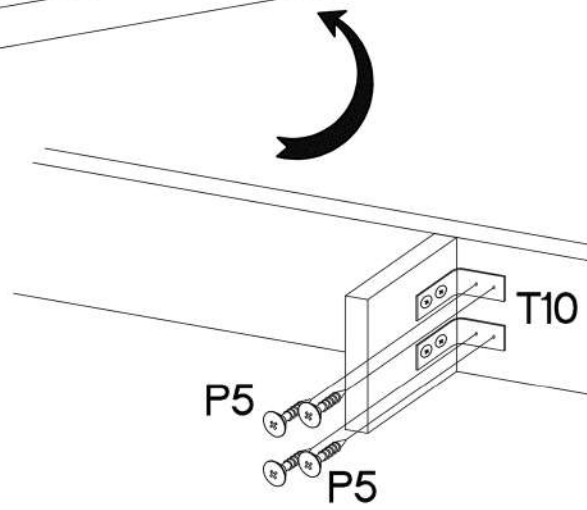
 T10 2	 3.5x13mm P5 8
---	--



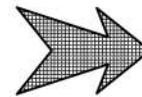
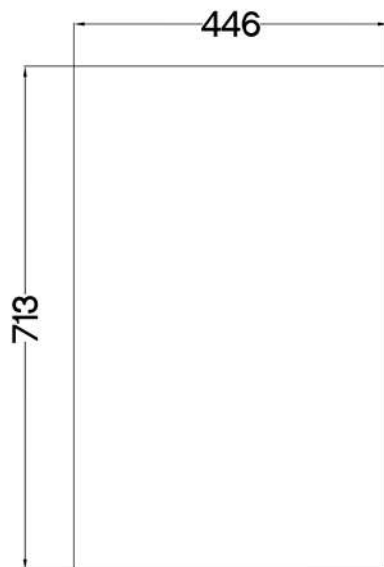
1.

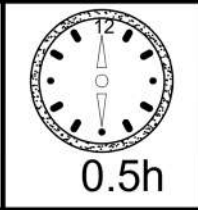
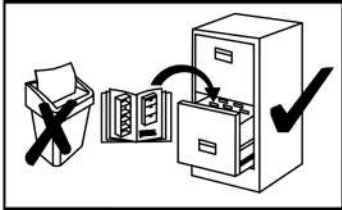
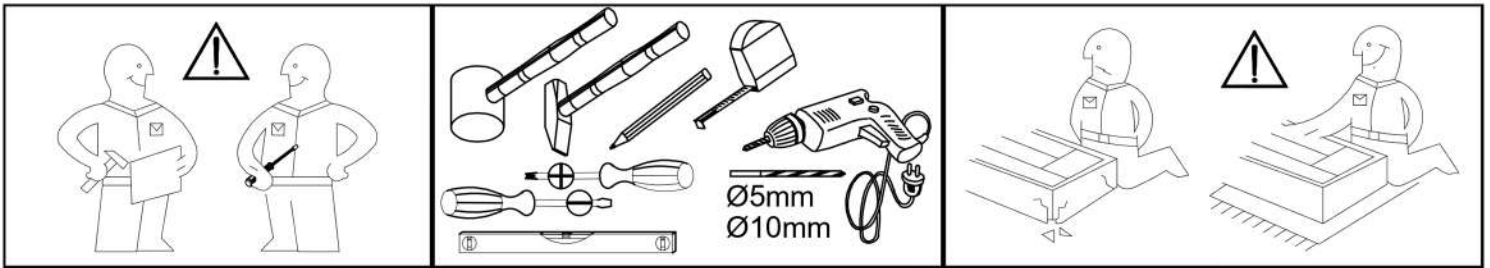


2.

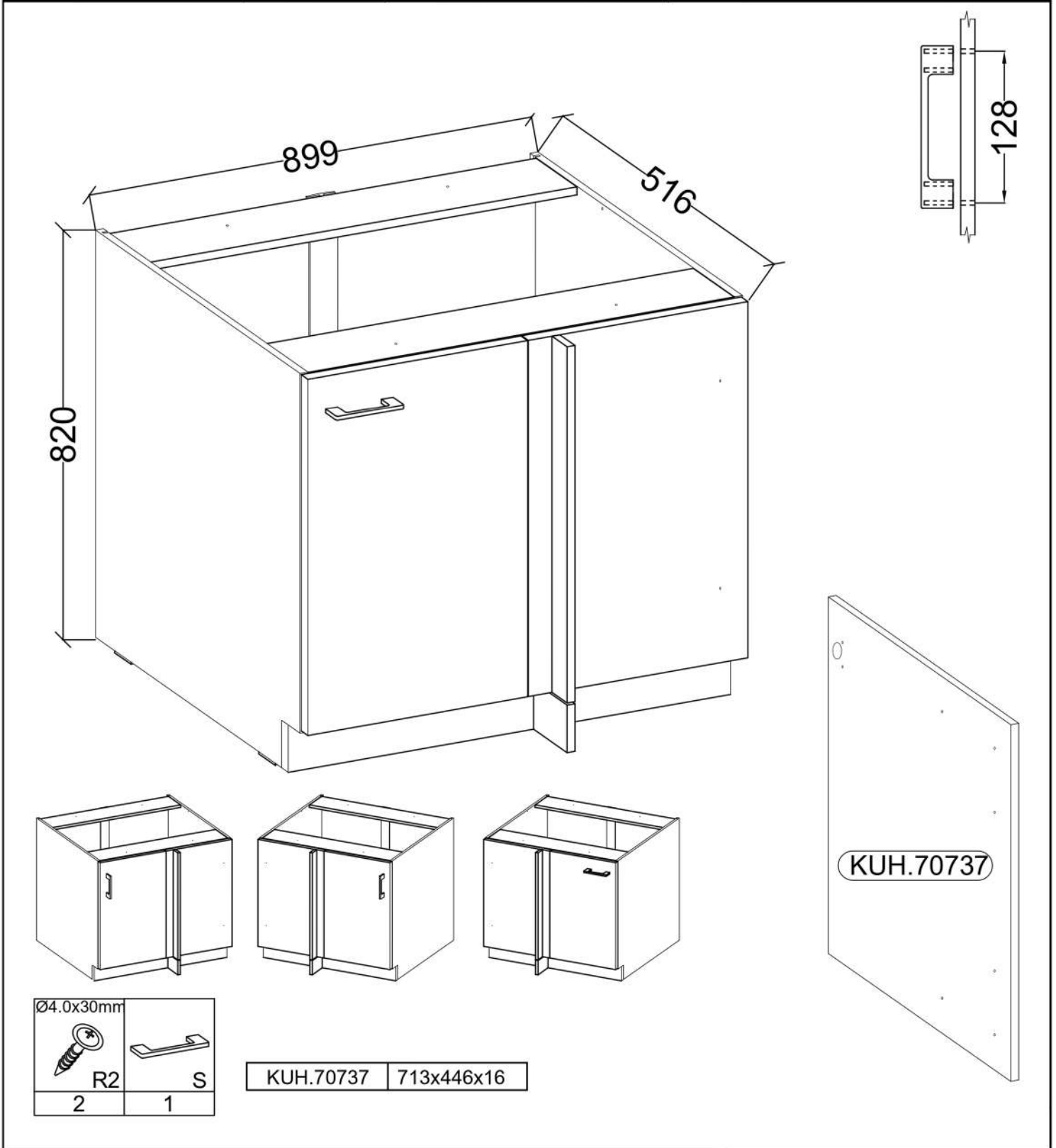
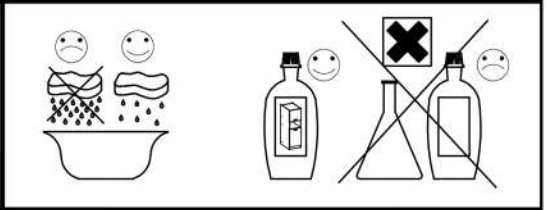


12

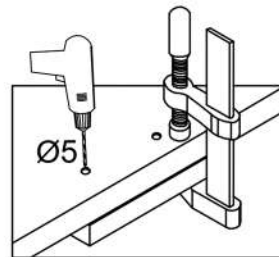
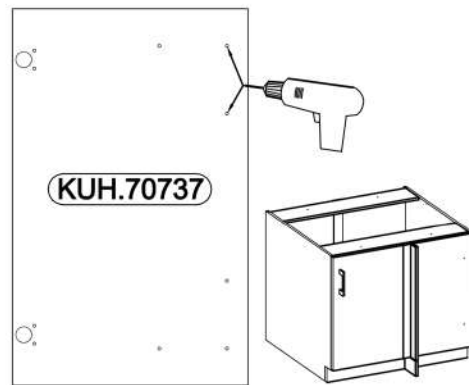
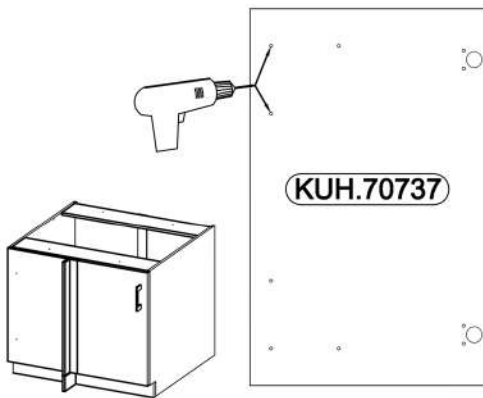
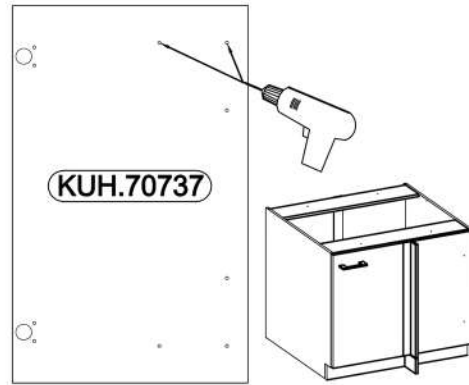
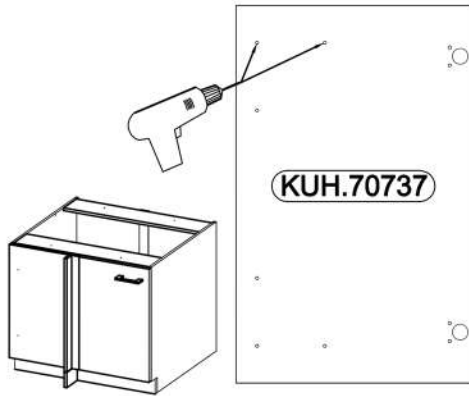
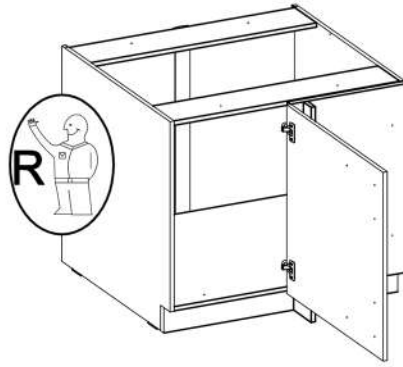
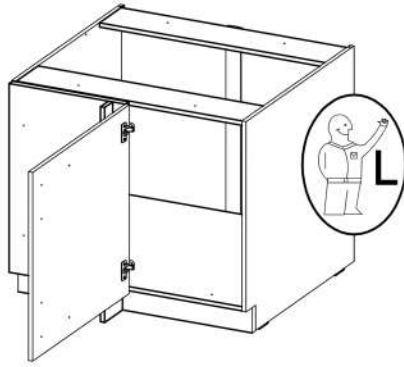






**105 ND 1F BB**

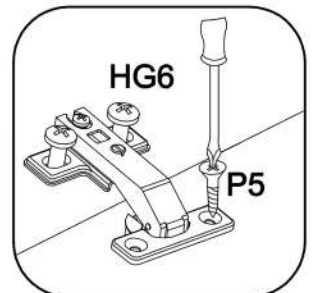
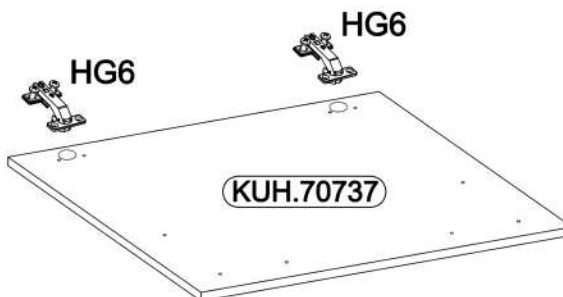


1





2

 Ø35/90° Ø3.5x13mm [CD] HG6	 P5
2	4



# 3

Ø4.0x30mm	
	
R2	S
2	1

