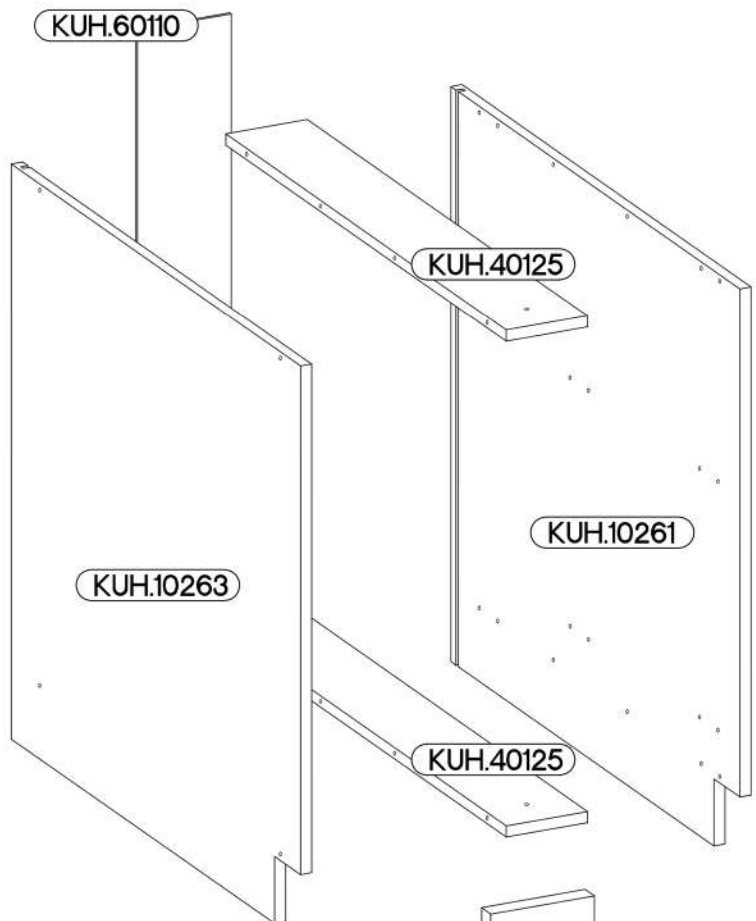
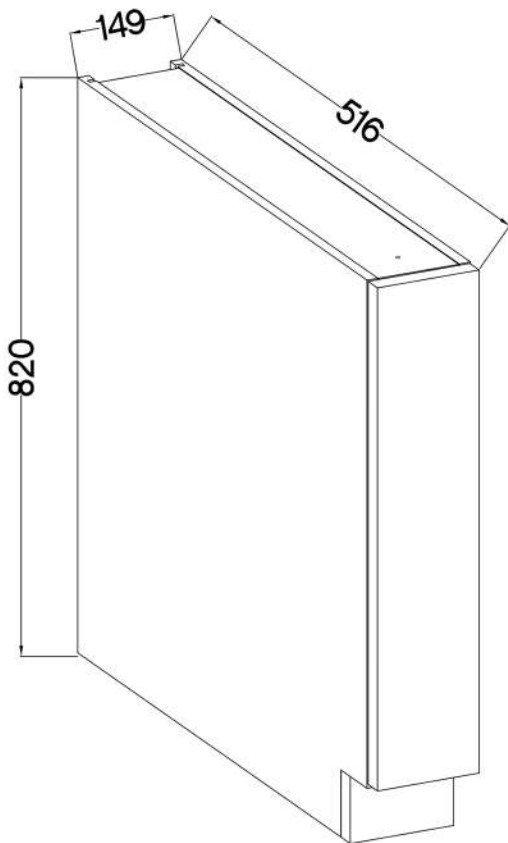
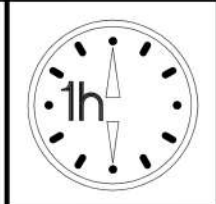
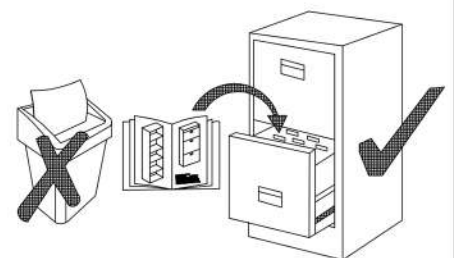


ARSANY 15 D CARGO BB



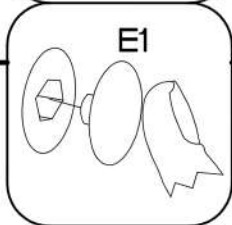
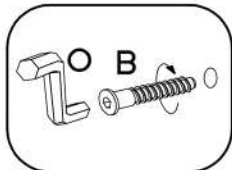
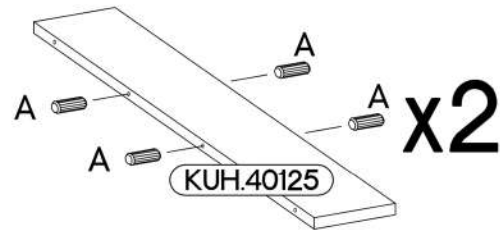
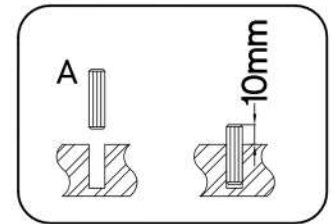
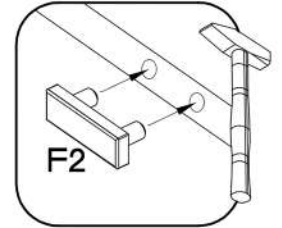
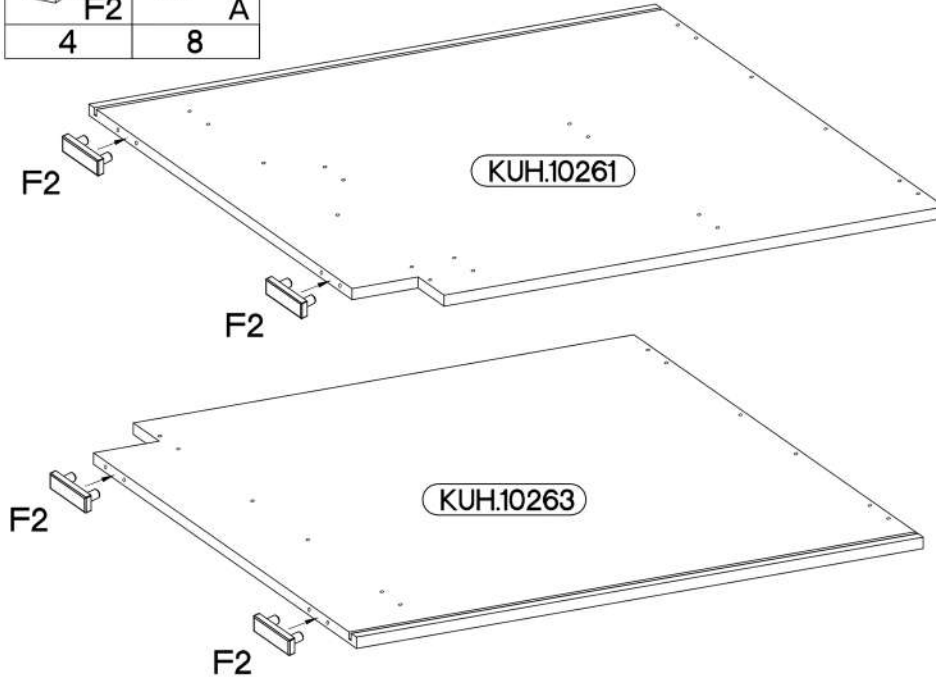
| | |
|--------------|-------------|
| KUH.10261 | 815x500x16 |
| KUH.10263 | 815x500x16 |
| KUH.40125 x2 | 117x485x16 |
| KUH.60110 | 713x135x2,5 |
| KUH.90164 | 149x95x16 |

| | | | | | | |
|-----------|-----------|-----------|----------|-----------|-----------|-----------|
| A | B | | | | | |
| 8 | 8 | | | | | |
| E1 | E9 | F2 | O | P4 | P7 | R3 |
| 8 | 1 | 4 | 1 | 1 | 4 | 1 |

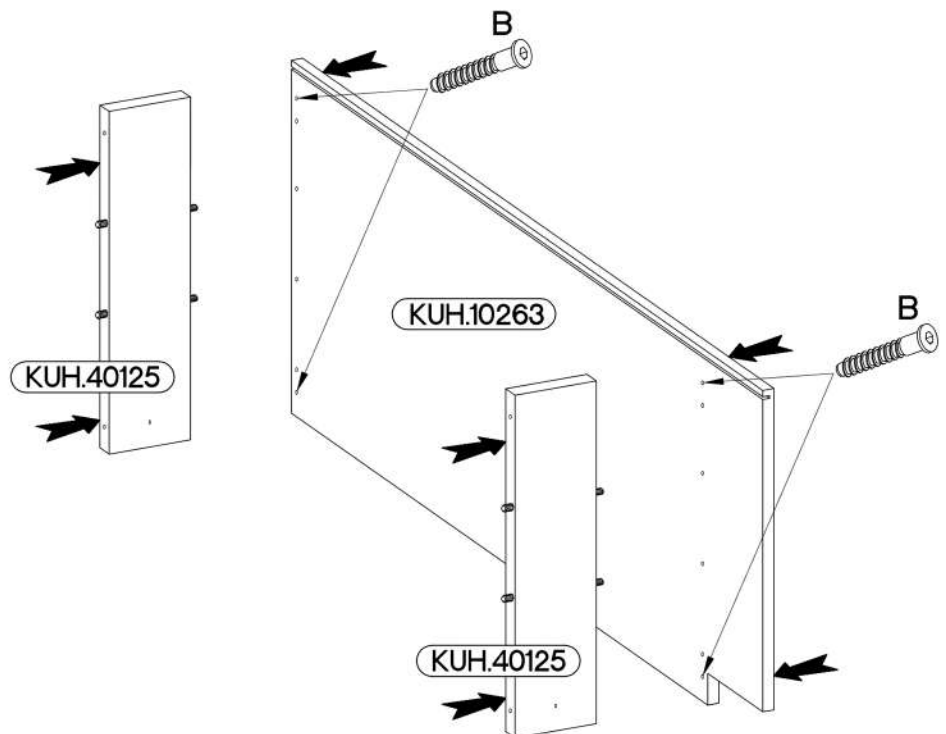


1

| | |
|----------------------|-------------------|
| 6.5x48x16 F2 4 | +8x30mm A 8 |
|----------------------|-------------------|



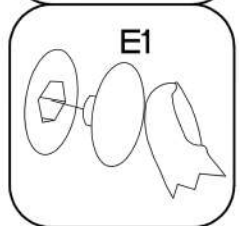
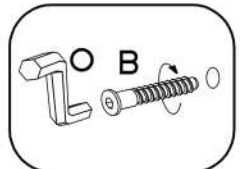
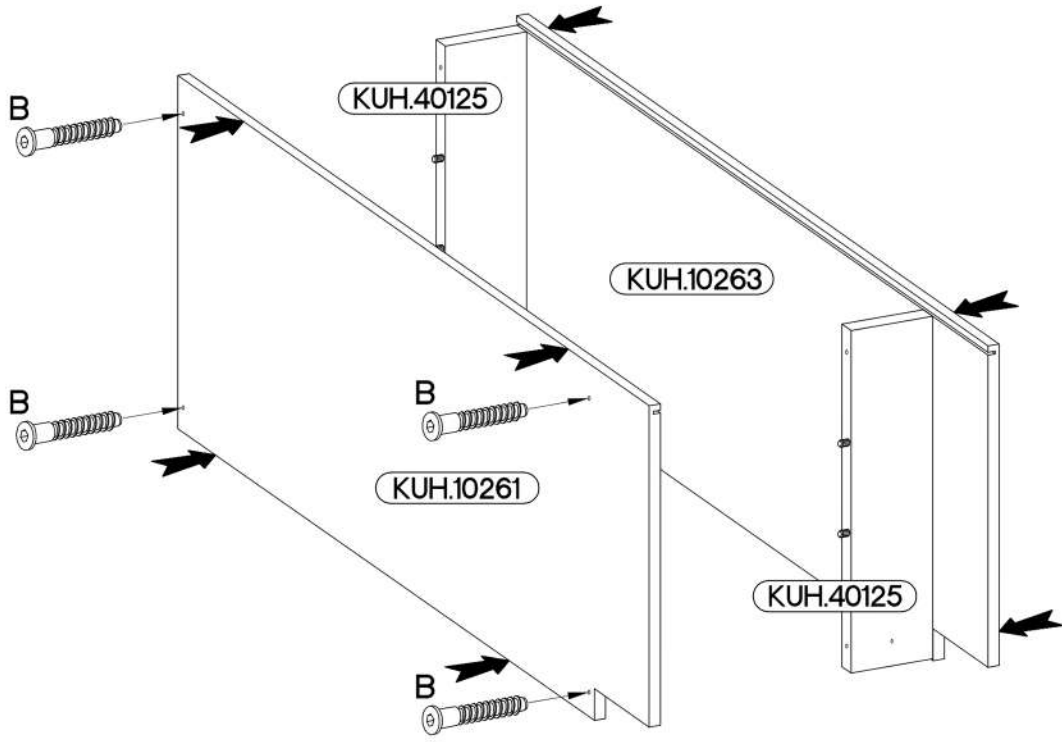
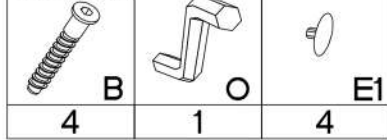
2



| | | |
|----------------------|--------|---------|
| 6,4 x 50mm B 4 | O 1 | E1 4 |
|----------------------|--------|---------|

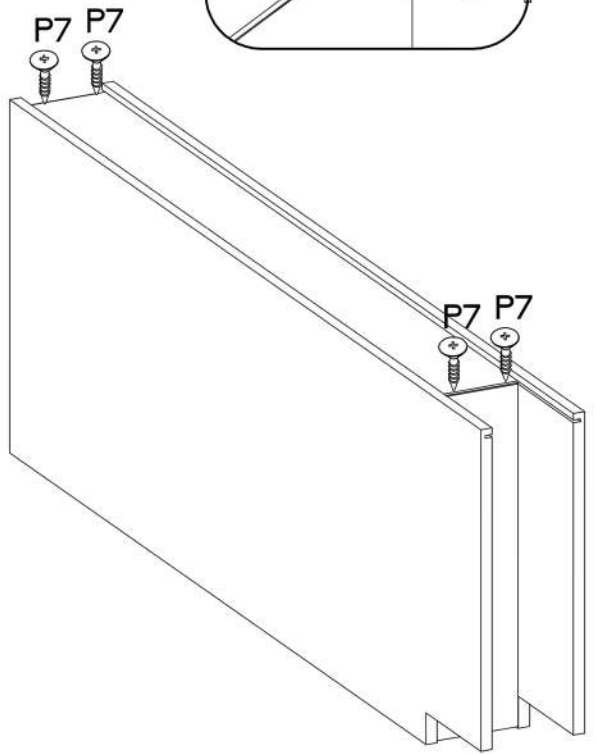
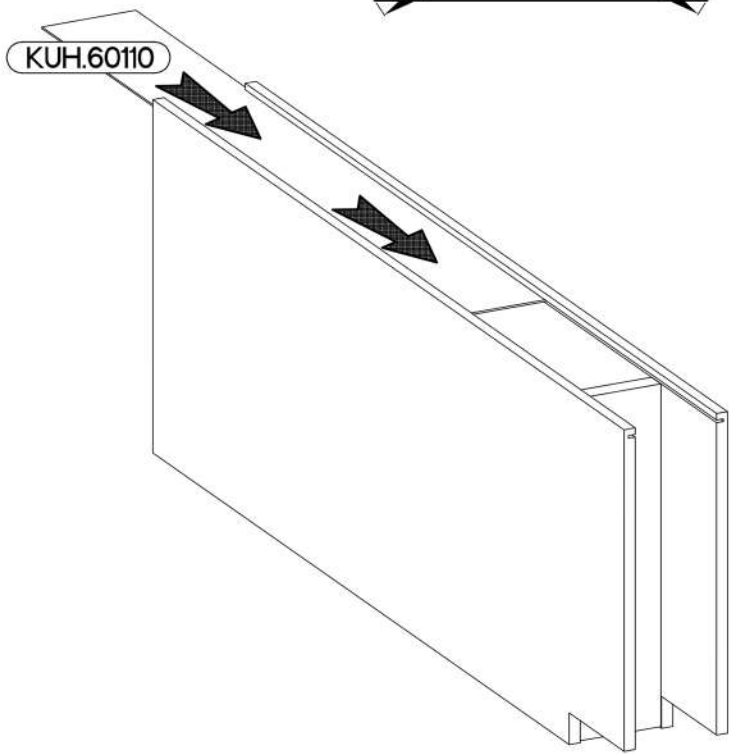
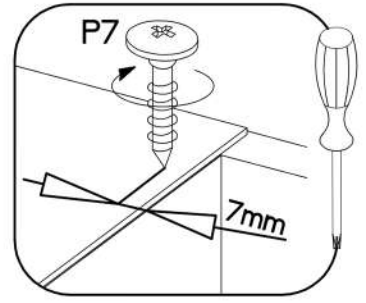
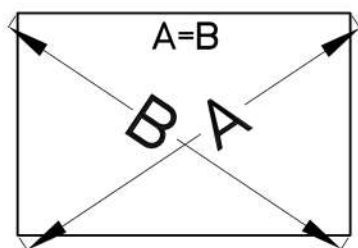
3

6,4 x 50mm






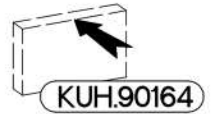
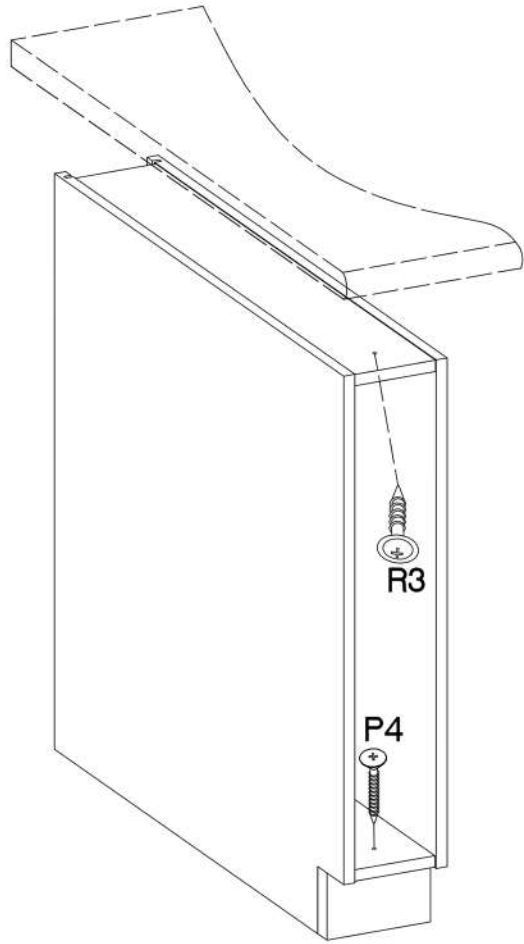
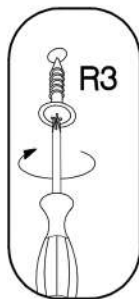
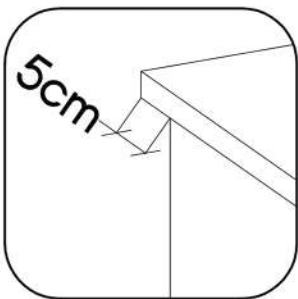
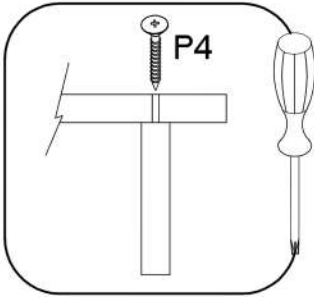
4

±3.0x20mm

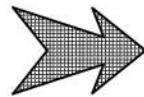
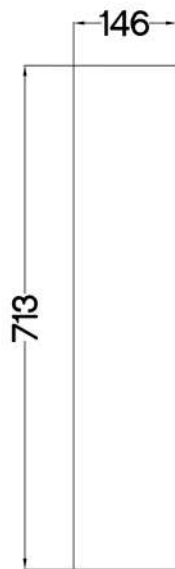


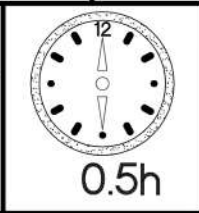
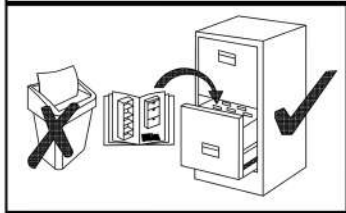
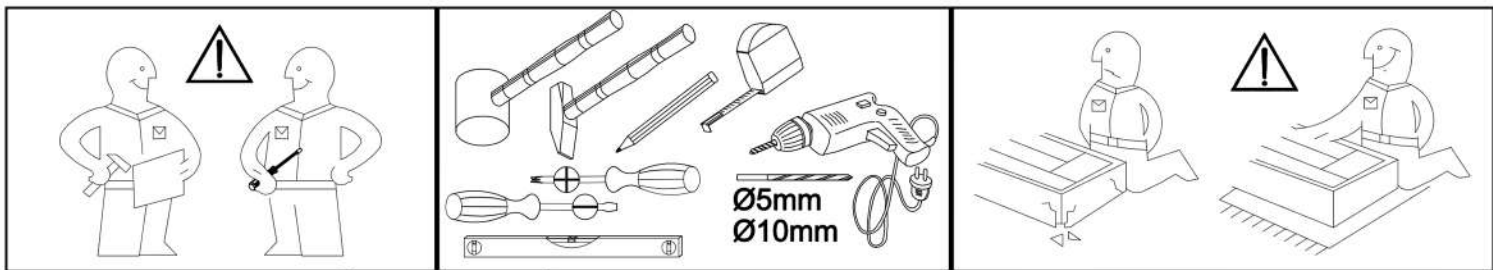
5

| | | |
|---|--|---|
|  +4.0x45mm P4 1 |  E9 1 |  +4.0x35mm R3 1 |
|---|--|---|

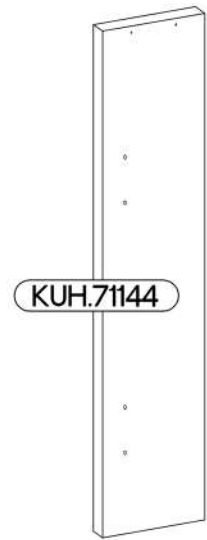
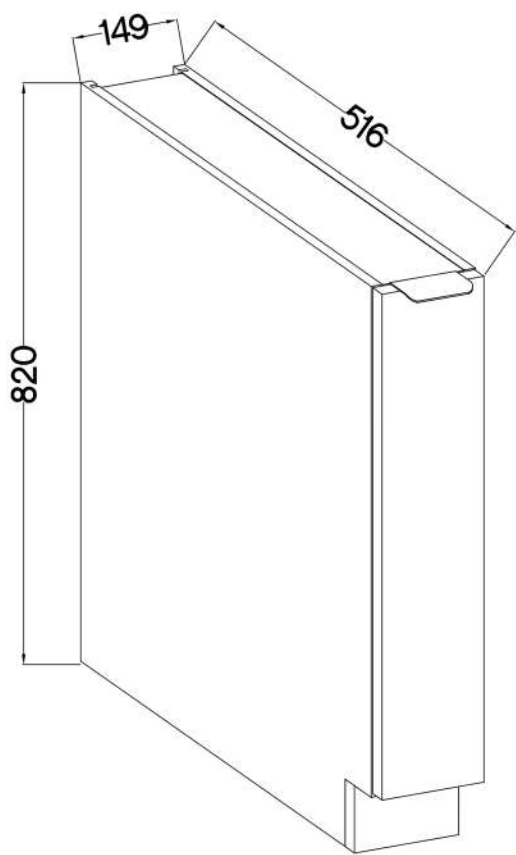
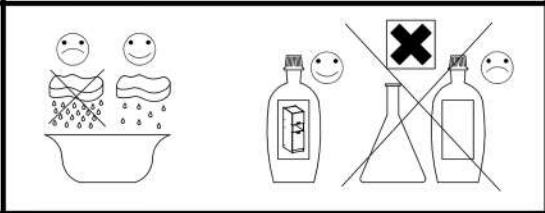


6






15 D CARGO BB

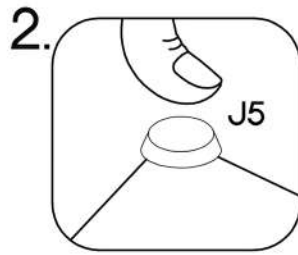
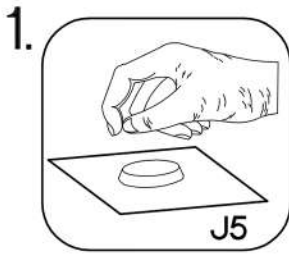
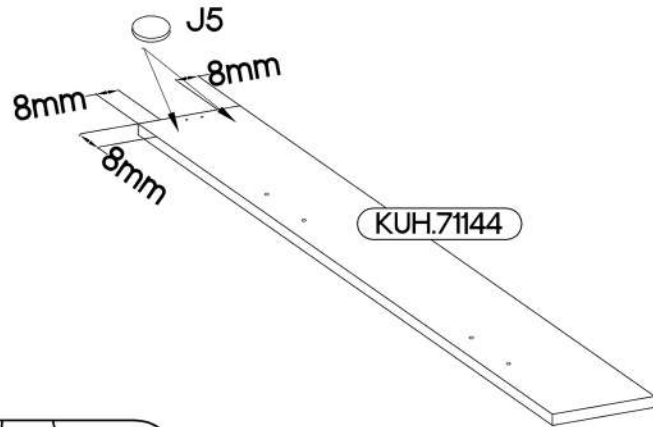


| | |
|--------|--------|
| L=64mm | ±7/2mm |
| | |
| S | J5 |
| 1 | 2 |



| | |
|-----------|------------|
| KUH.71144 | 713x146x16 |
|-----------|------------|

1

| |
|---|
| +7/2mm |
|  |
| J5 |
| 2 |



2

| |
|---|
| L=64mm |
|  |
|  S |
| 1 |

