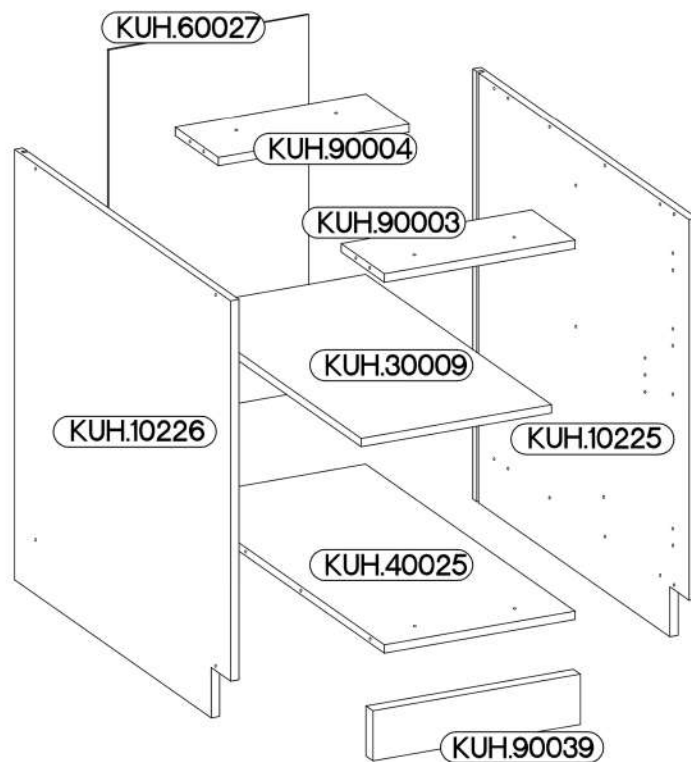
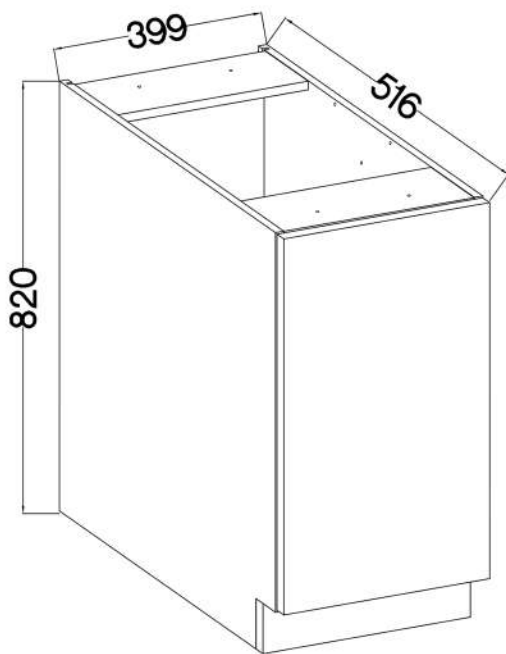


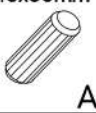



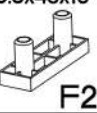


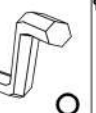
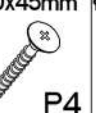
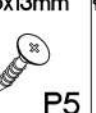


ARSANY 40 D 1F BB

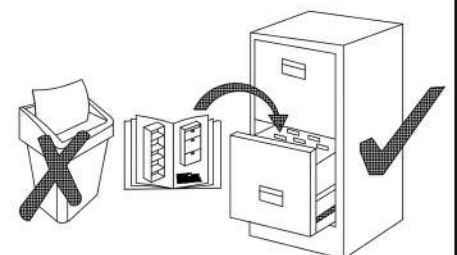


KUH.30009
KUH.40025





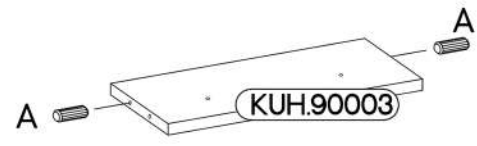
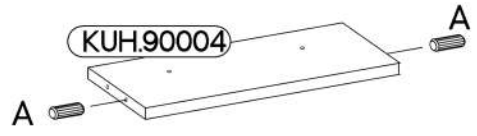
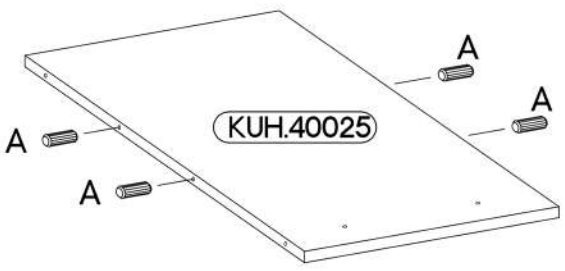
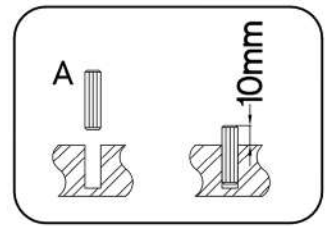
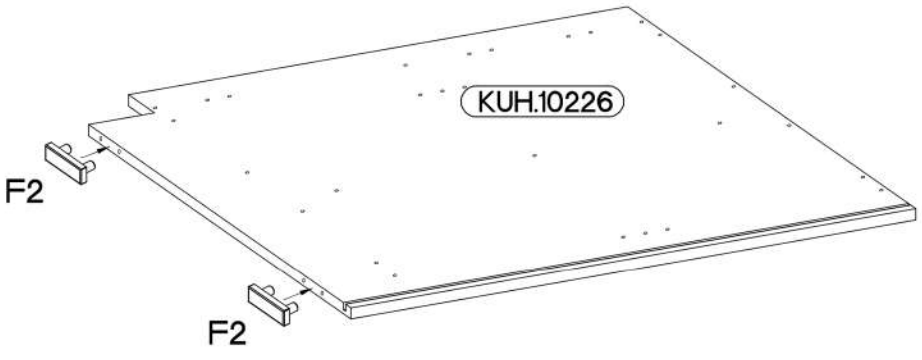
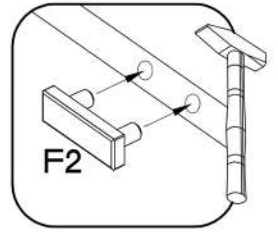
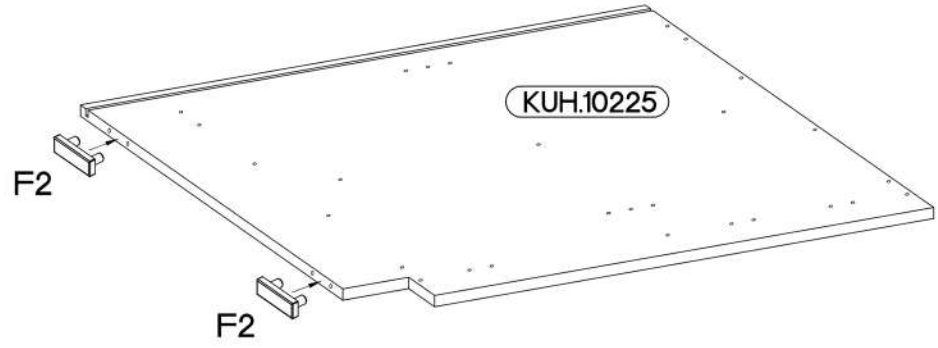
KUH.10225	815x500x16
KUH.10226	815x500x16
KUH.30009	366x430x16
KUH.40025	367x485x16
KUH.60027	713x385x2,5
KUH.90003	367x100x16
KUH.90004	367x100x16
KUH.90039	399x95x16

 A	 B	 E1	 E9	 F2			
8	8	8	2	4			
 HG	 J	 O	 P4	 P5	 P7	 R3	
2	4	1	2	4	8-10	4	



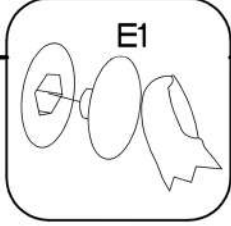
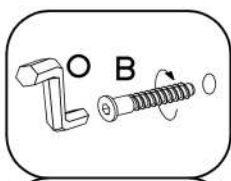
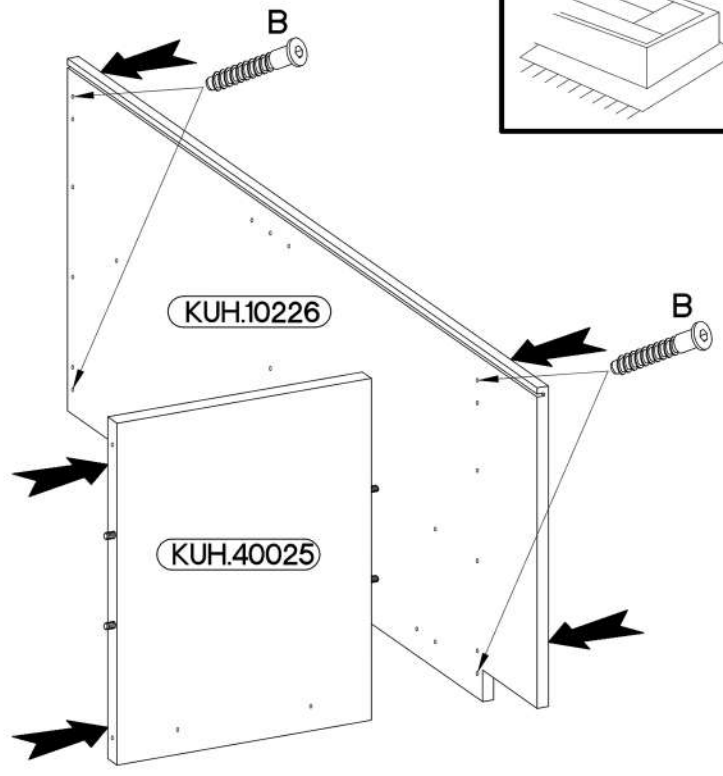
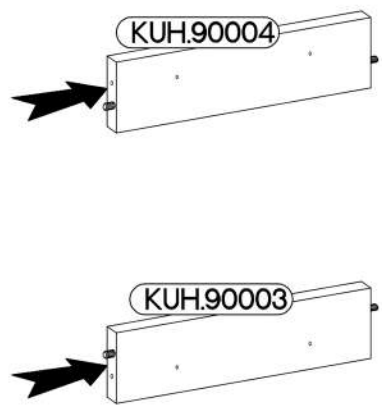
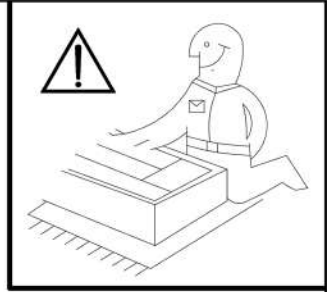
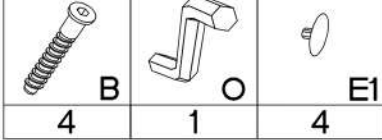
1

6.5x48x16  F2 4	†8x30mm  A 8
---	--

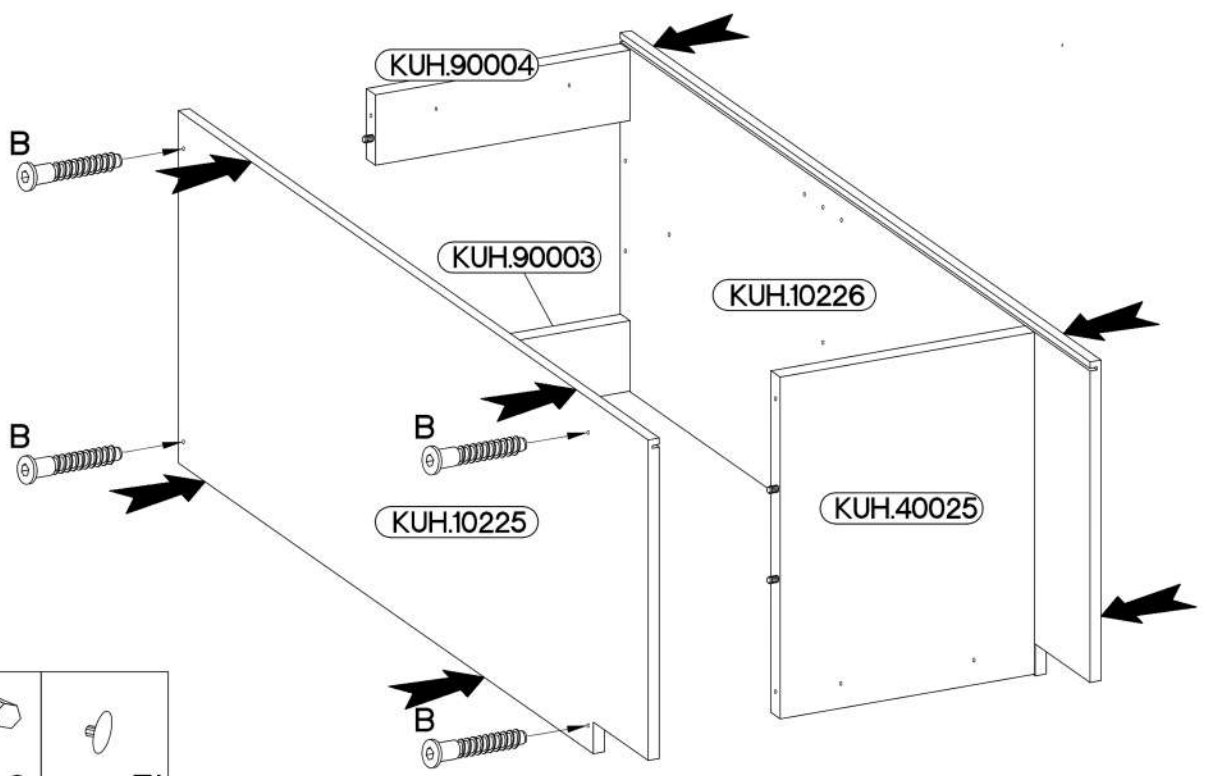


2

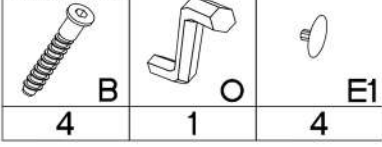
6,4 x 50mm



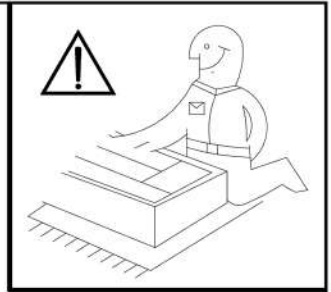
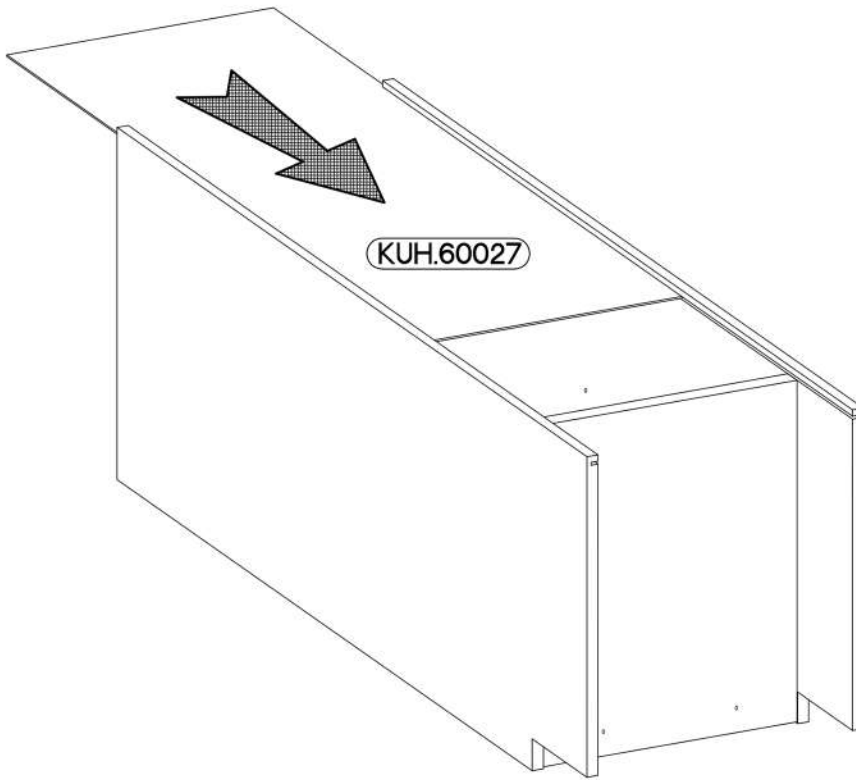
3



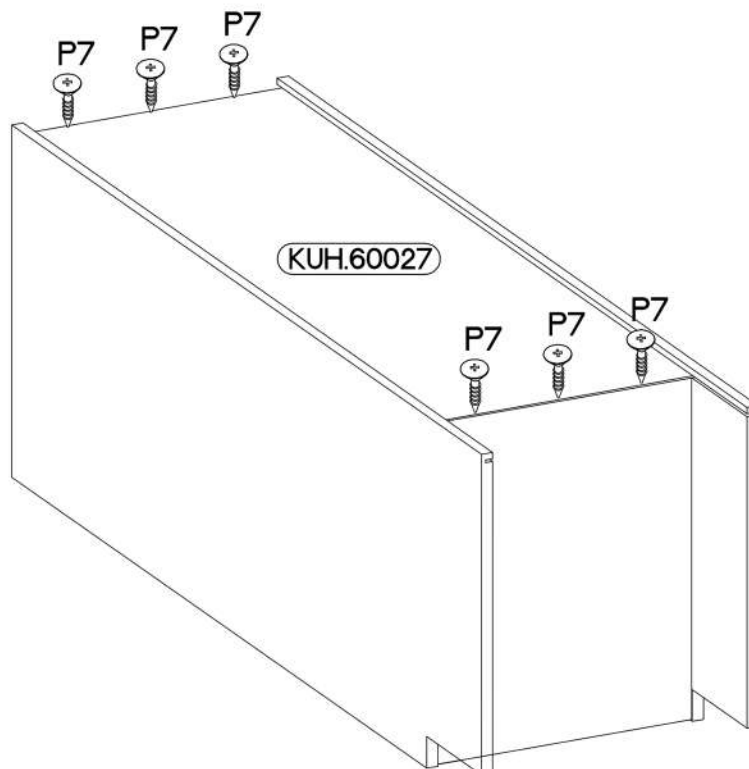
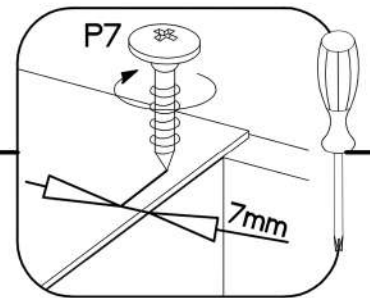
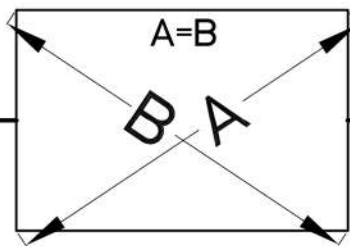
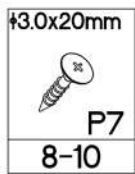
6,4 x 50mm





4

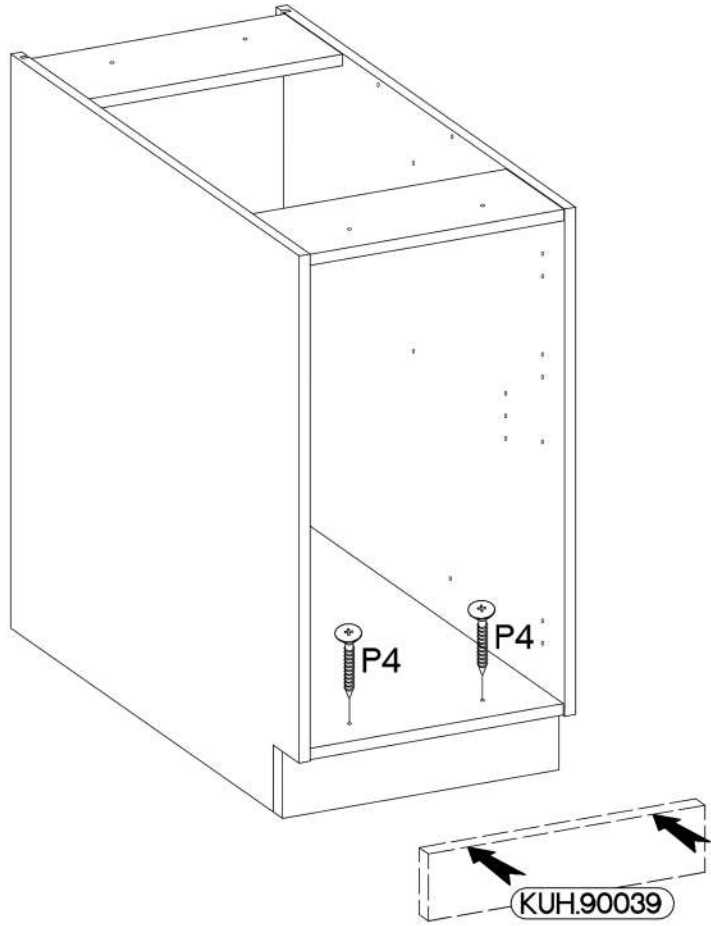
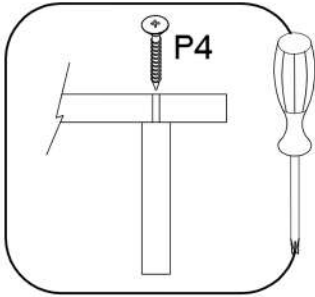


5




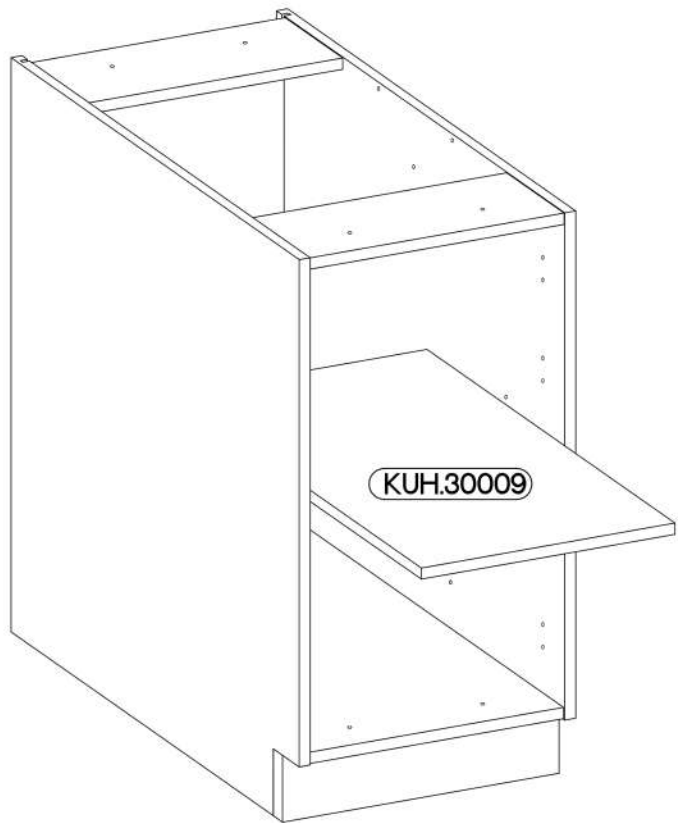
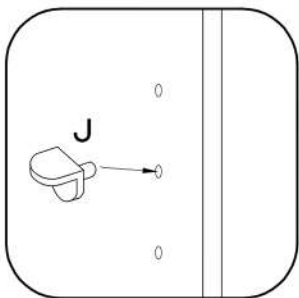
6

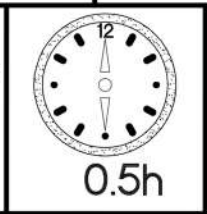
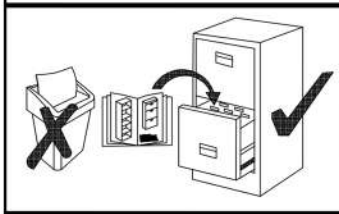
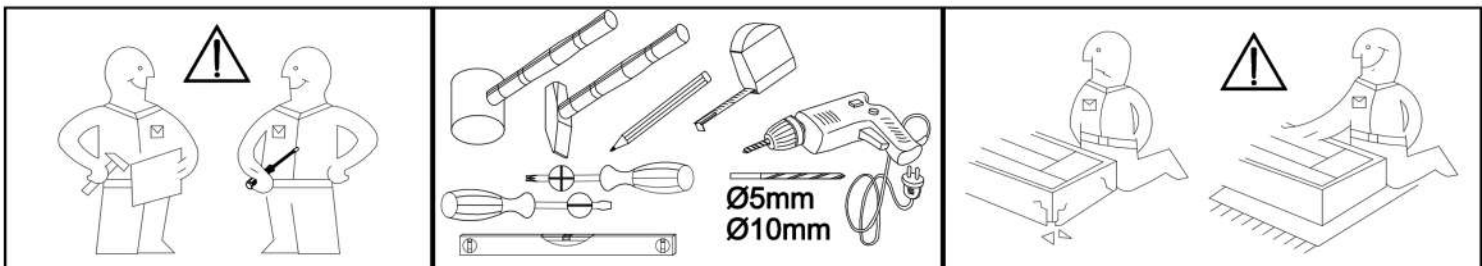
†4.0x45mm	
	P4
2	2



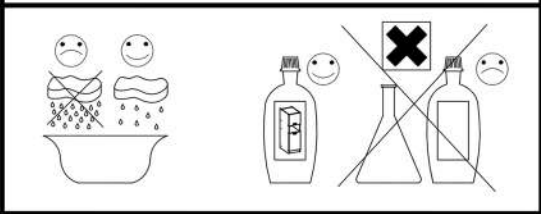
7

†5/19mm	
J	
4	

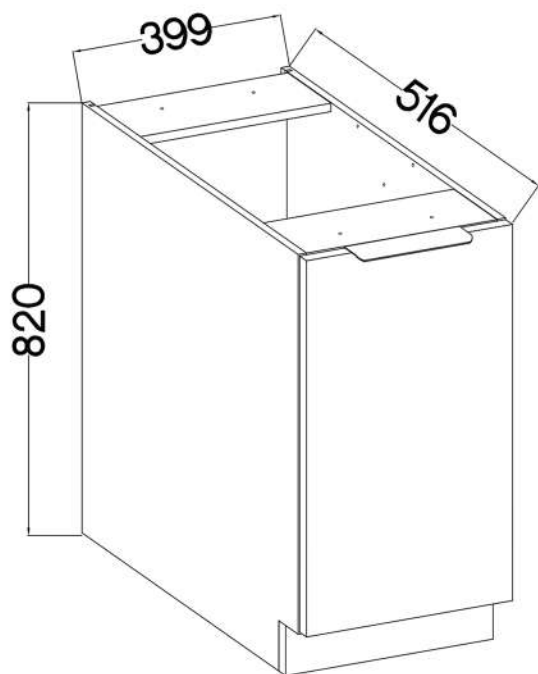




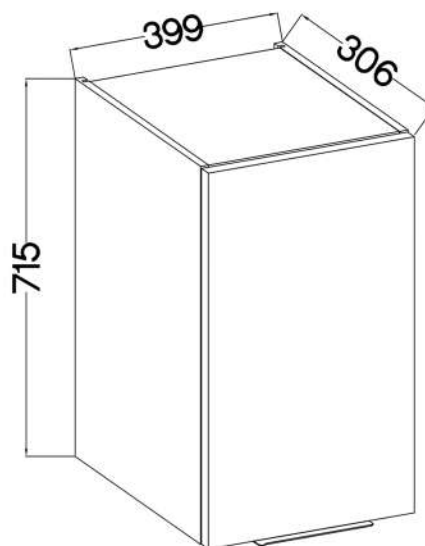
713x396



40 D 1F BB



40 G-72 1F



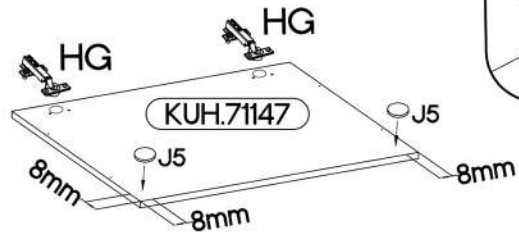
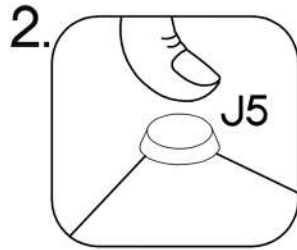
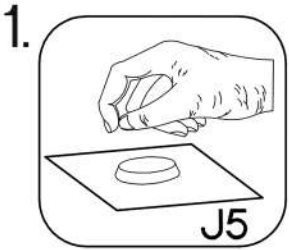
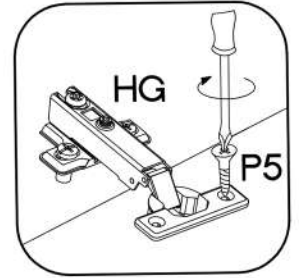
KUH.71147

L=192mm	±7/2mm
S	J5
1	2

KUH.71147	713x396x16
-----------	------------

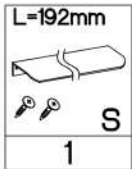
1

$\pm 35/0\text{mm}$ [CD] HG 2	$\pm 3.5 \times 13\text{mm}$ P5 4	$\pm 7/2\text{mm}$ J5 2
-------------------------------------	---	-------------------------------

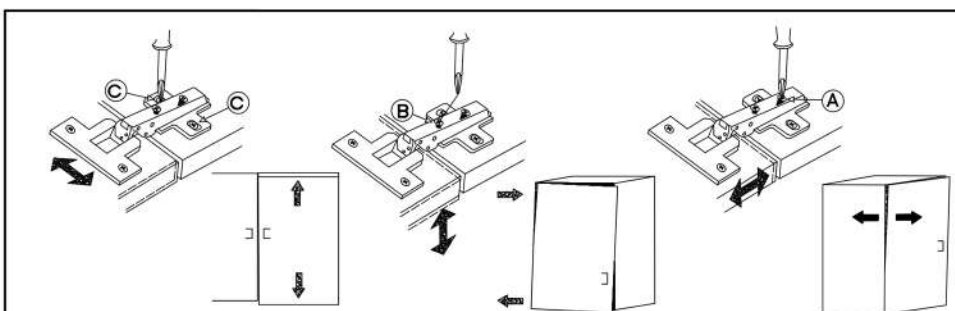
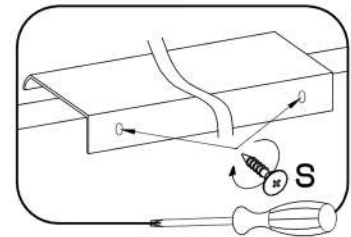
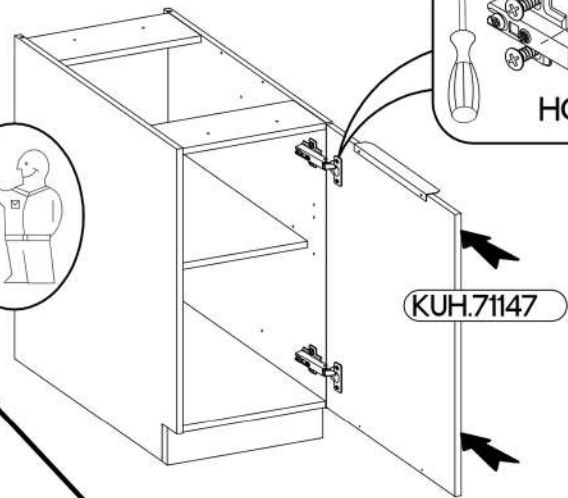


2

40 D 1F BB



KUH.71147



3

40 G-72 1F

