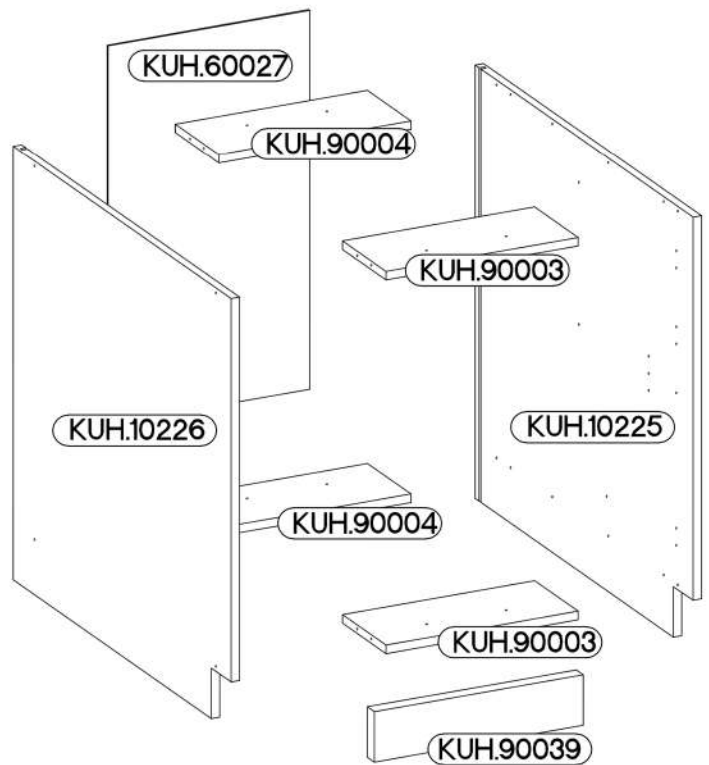
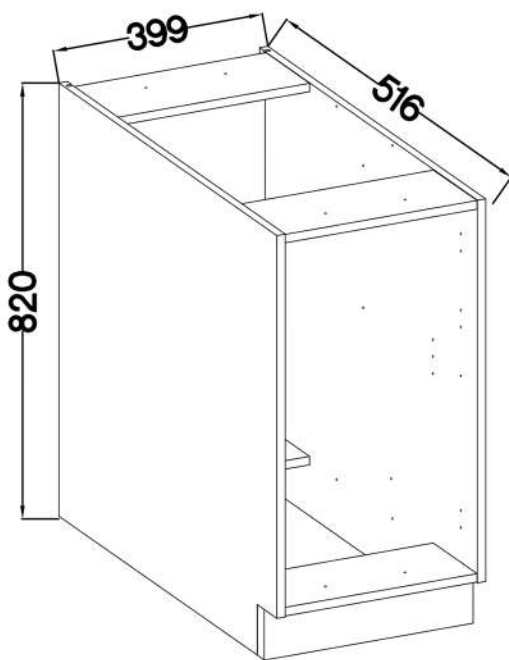
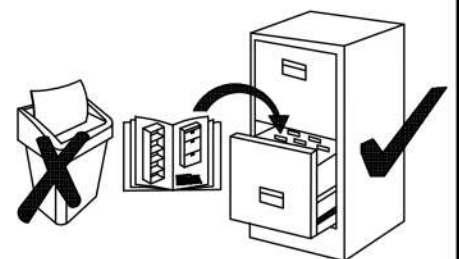


ARSANY 40 D 3S BB





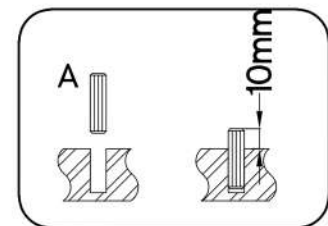
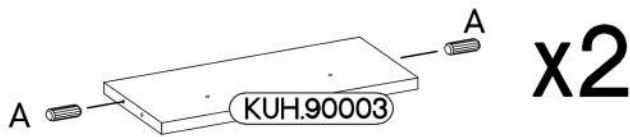
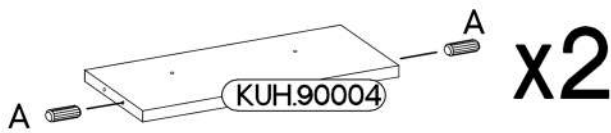
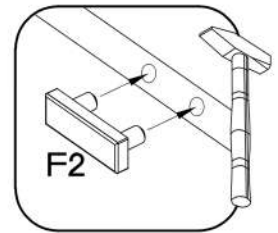
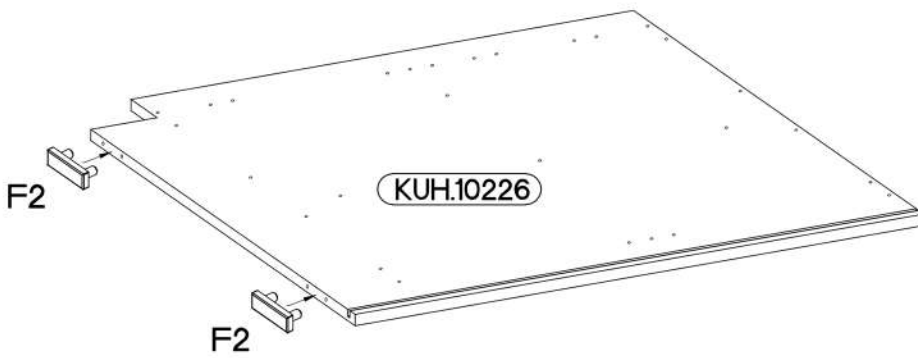
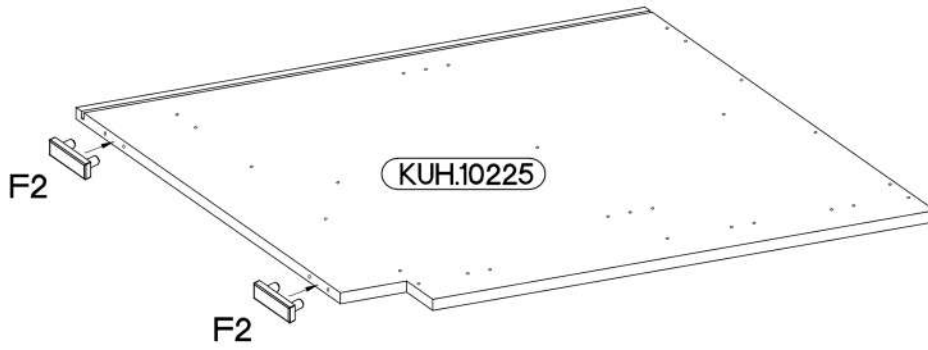
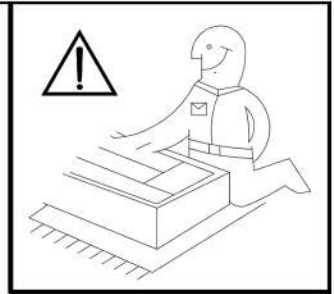
KUH.10225	815x500x16
KUH.10226	815x500x16
KUH.60027	713x385x2,5
KUH.90003 x2	367x100x16
KUH.9004 x2	367x100x16
KUH.90039	399x95x16

$\pm 8 \times 30 \text{mm}$ A 8	$6,4 \times 50 \text{mm}$ B 8	 E1 8	 E9 2	$6,5 \times 48 \times 16$ F2 4	 O 1	$\pm 4,0 \times 45 \text{mm}$ P4 2	$\pm 3,0 \times 20 \text{mm}$ P7 8-10	$\pm 4,0 \times 35 \text{mm}$ R3 4
---	---	-------------	-------------	--	------------	--	---	--






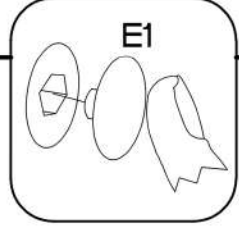
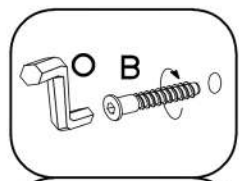
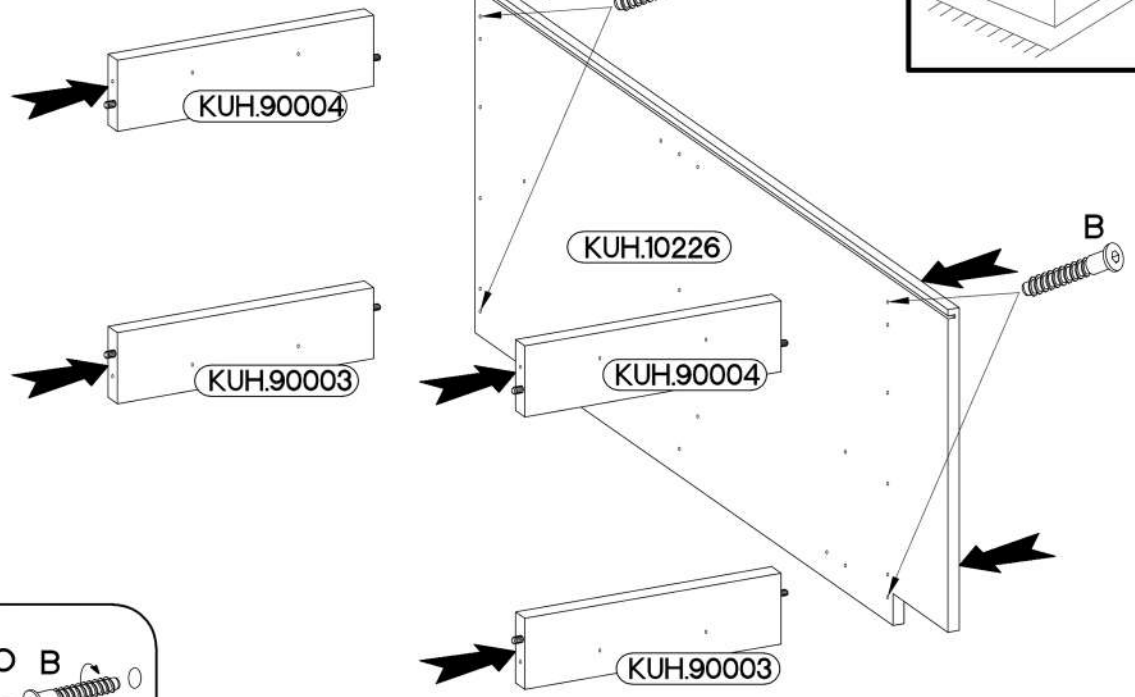
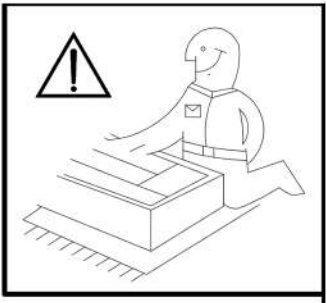
1

6.5x48x16	±8x30mm
 F2	 A
4	8

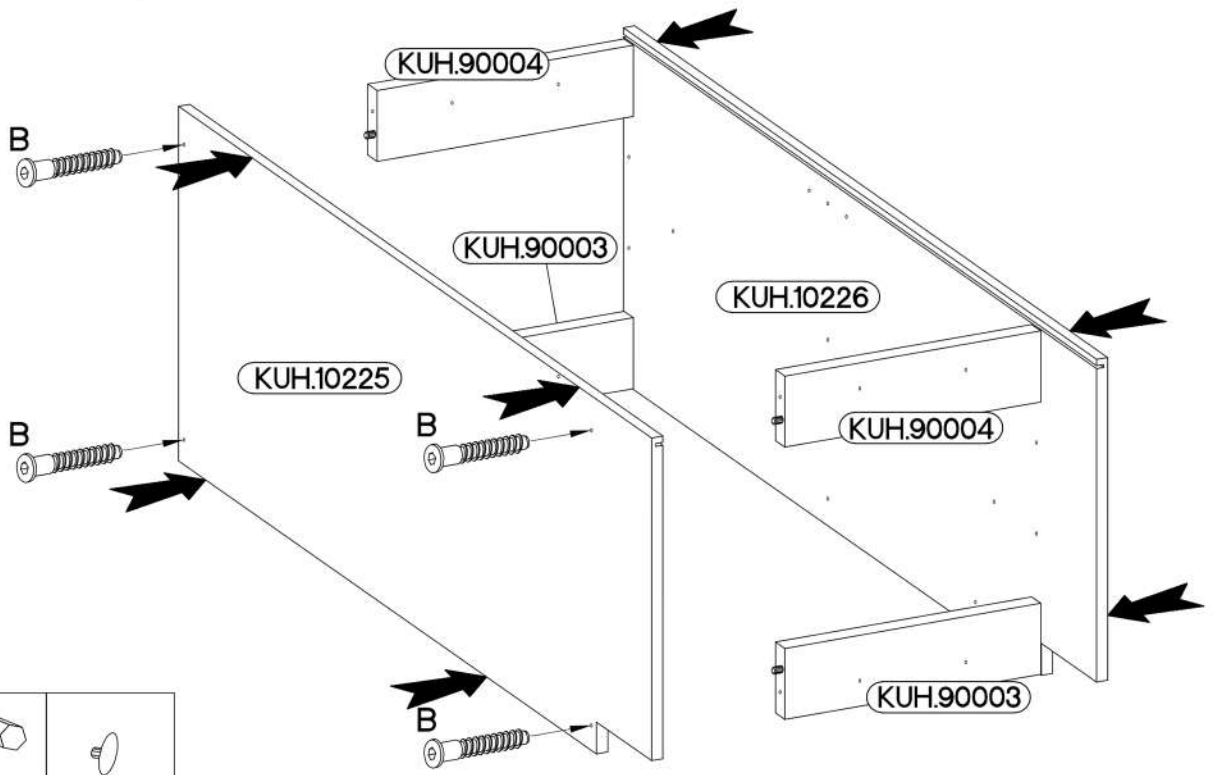





2

6,4 x 50mm		
		
B	O	E1
4	1	4





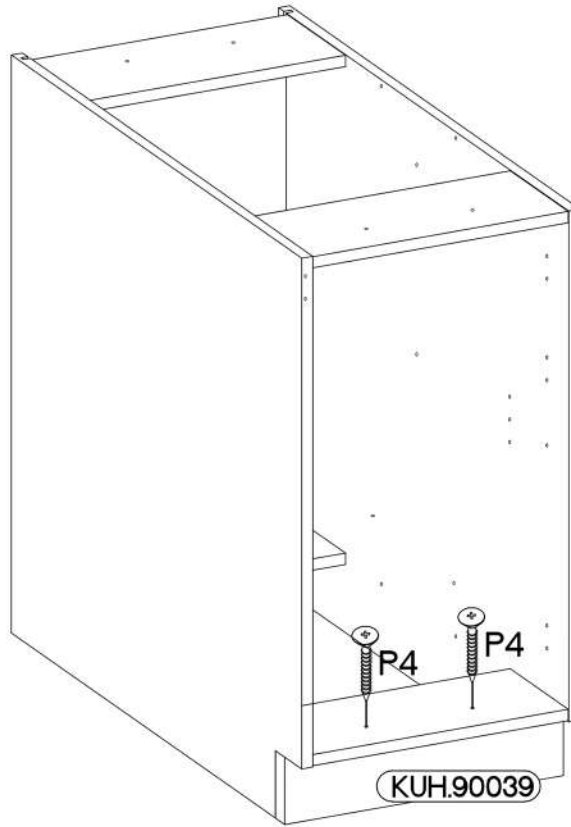
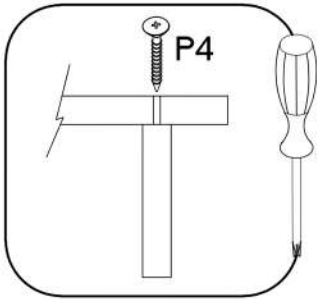
3




6,4 x 50mm		
		
B	O	E1
4	1	4

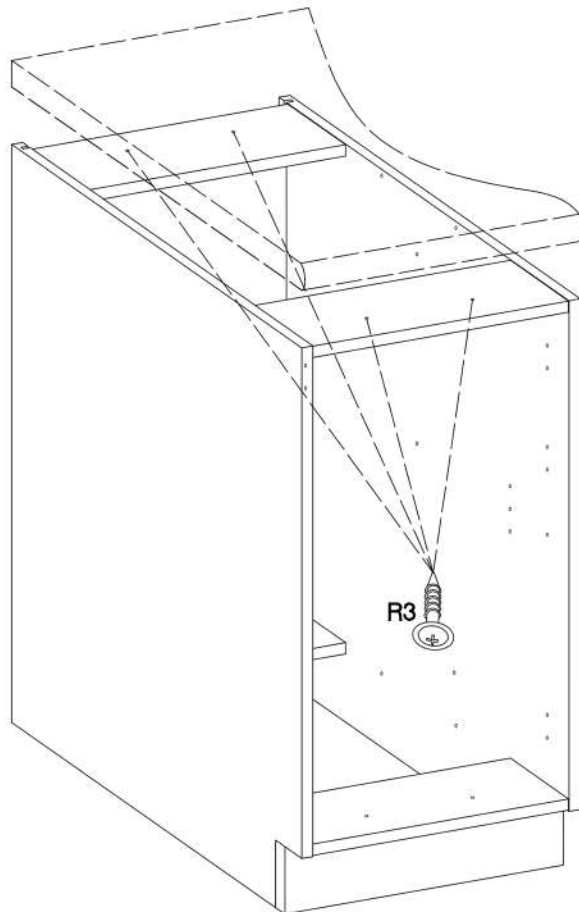
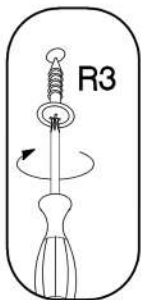
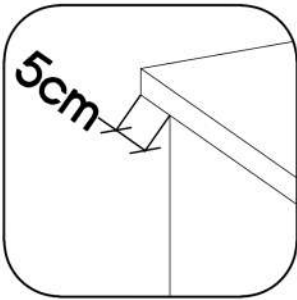
6

4.0x45mm	
	
P4	E9
2	2

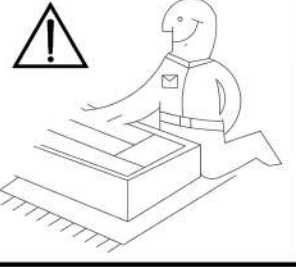
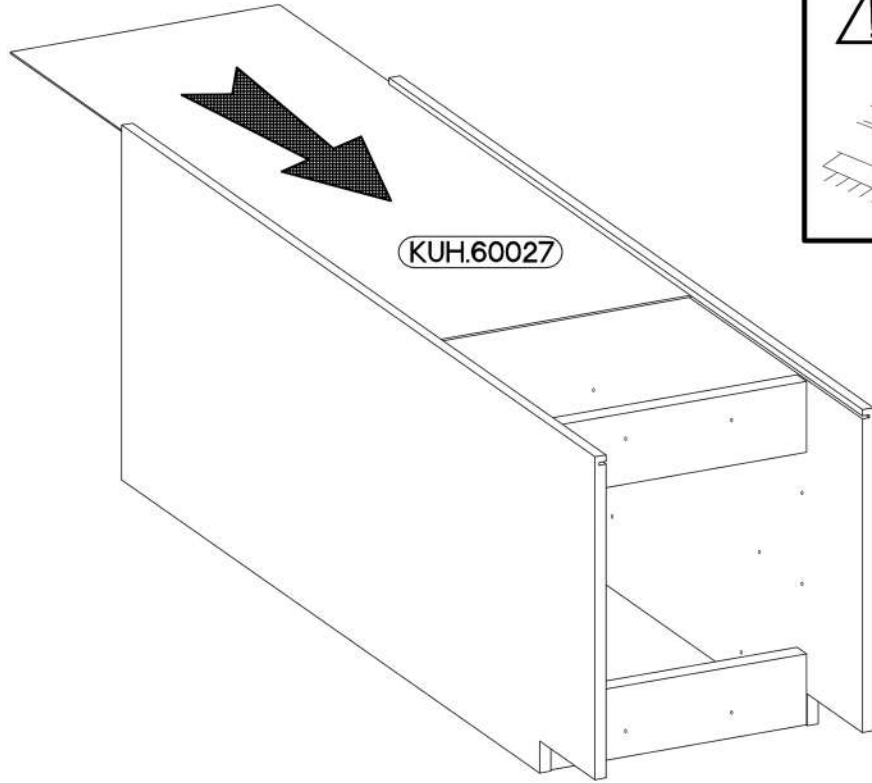


7

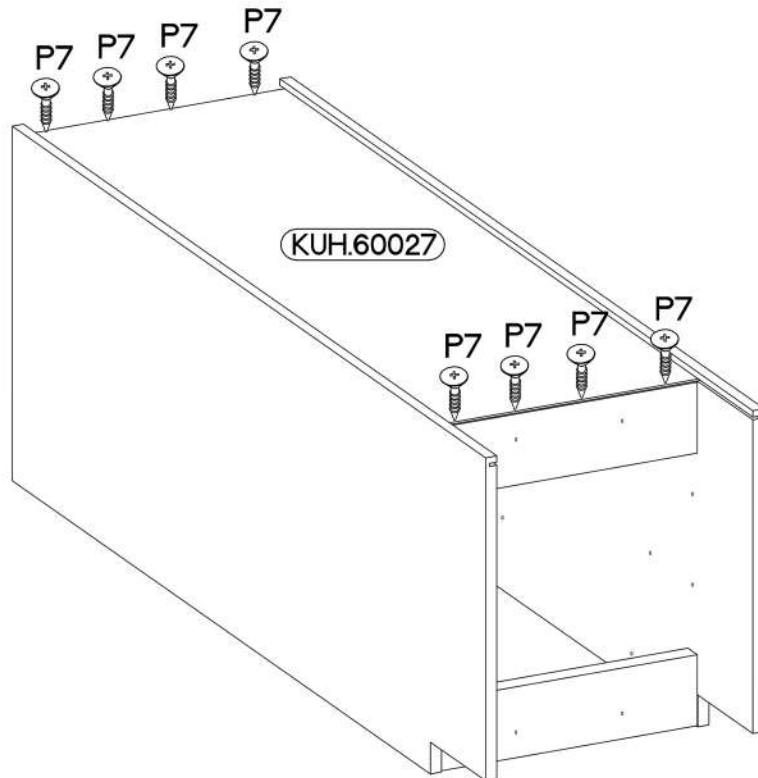
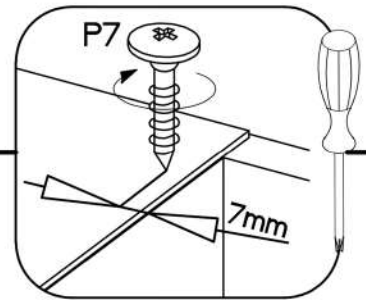
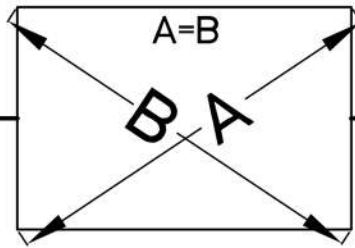
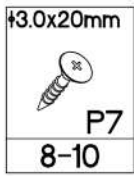
4.0x35mm	
	R3
4	

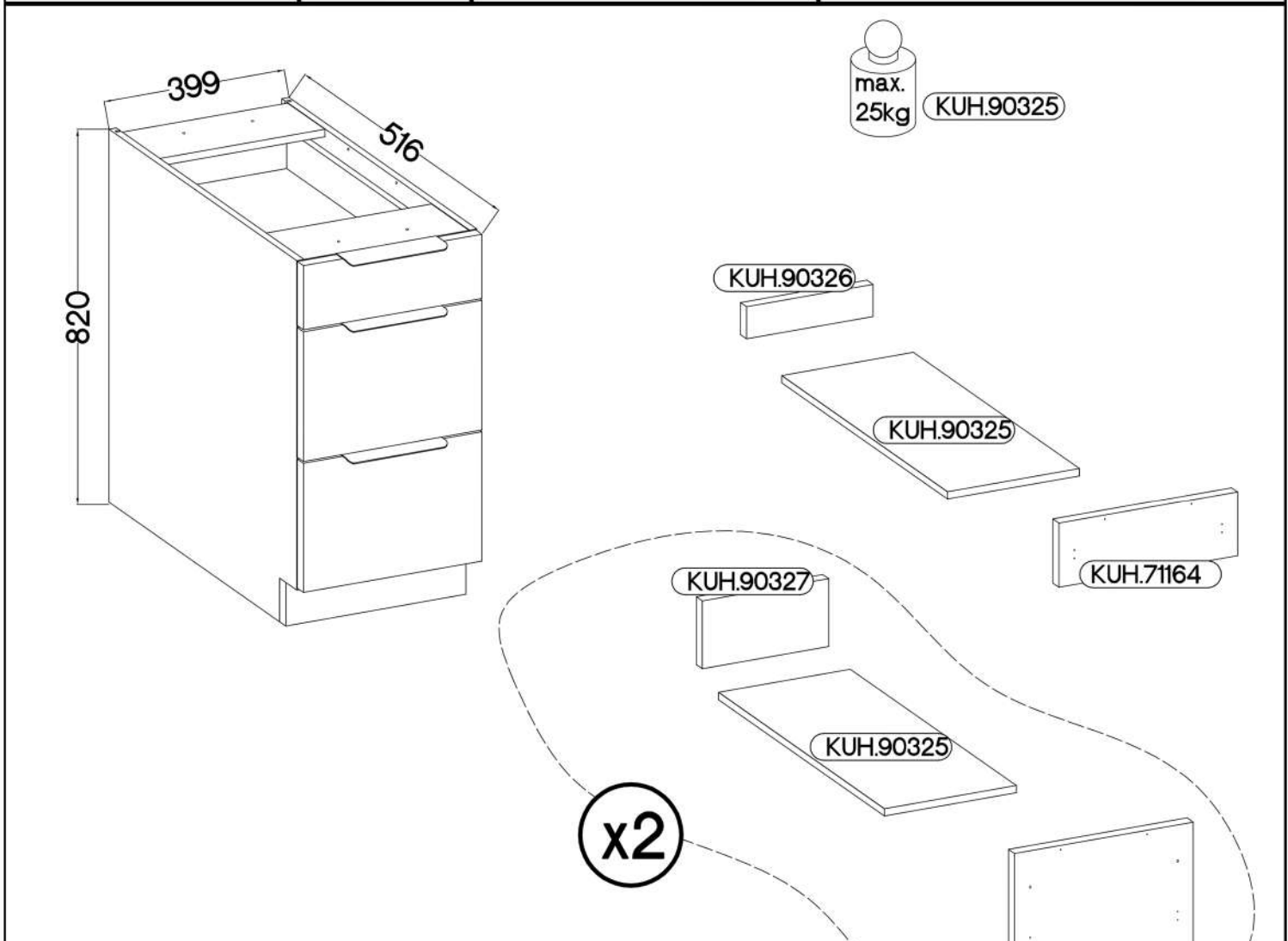
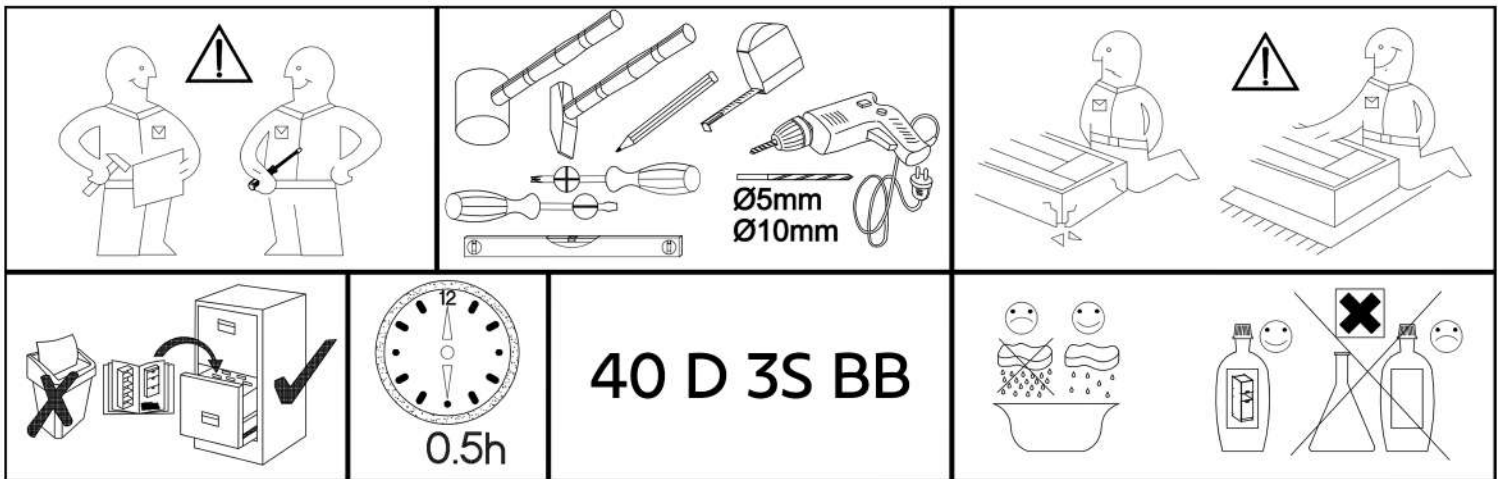


4



5





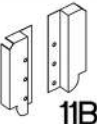



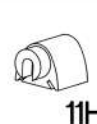
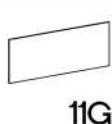
max. 25kg **KUH.90325**

L=192mm S 3	±7/2mm J5 6
-----------------------	-----------------------

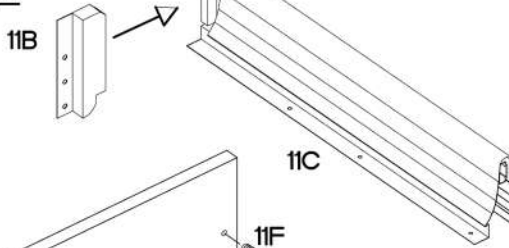
 11A 3	 11B 2	 11C 3	 11D 1	 11E 6		
 11F 4	 11G 6	 11H 4	 M3 12	 P1 12	 P5 24	 P11 12

KUH.71164	140x396x16
KUH.71165 x2	283x396x16
KUH.90325 x3	442x292x16
KUH.90326	280x70x16
KUH.90327 x2	280x148x16

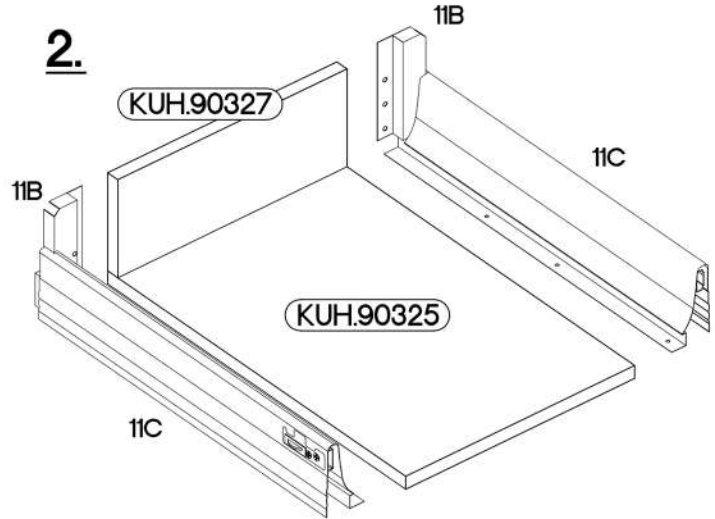
1

 11B	 11C	 11E	 11F	 11H	$\pm 3.0 \times 16\text{mm}$ P11	$\pm 3.5 \times 13\text{mm}$ P5	 11G	$\pm 7/2\text{mm}$ J5
2	2	4	4	4	8	16	4	4

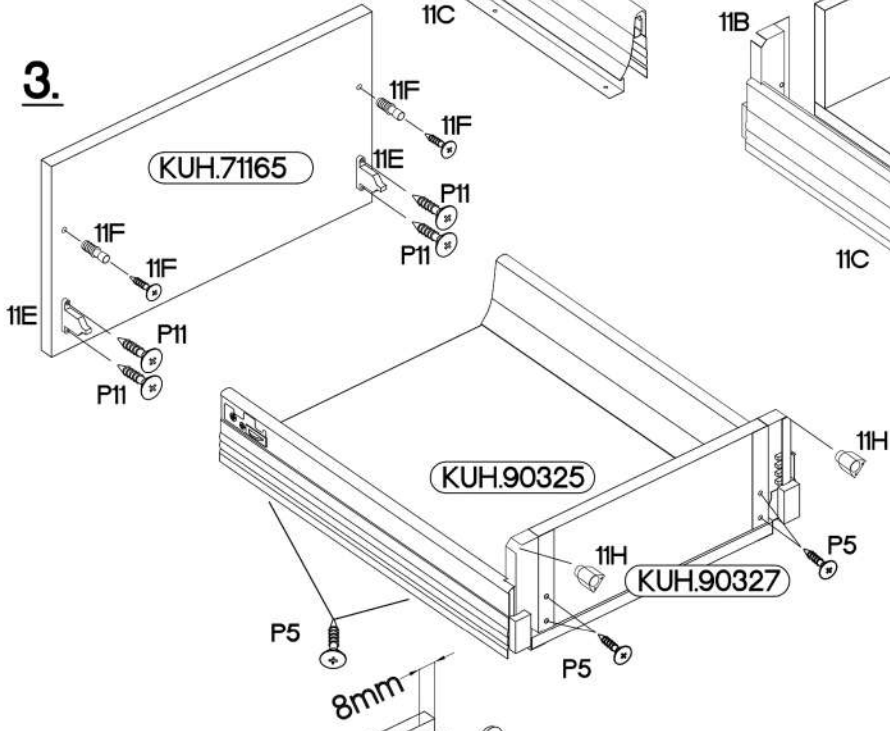
1.



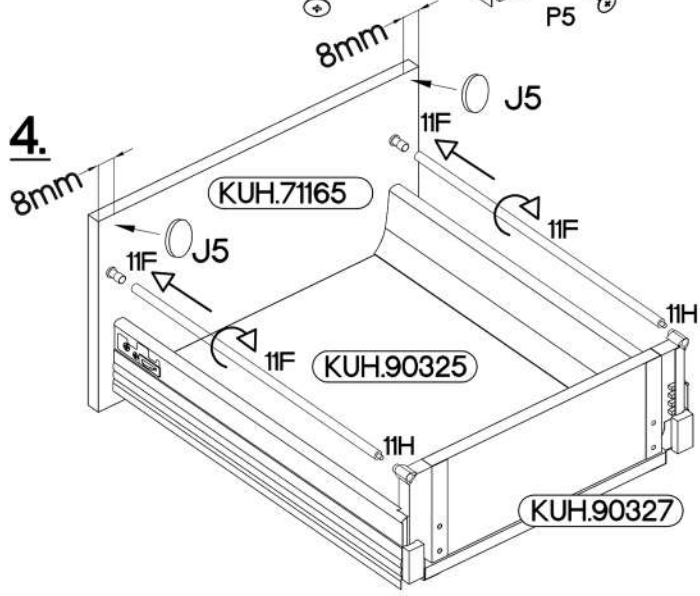
2.



3.

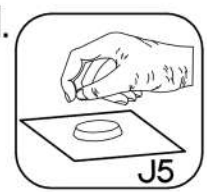


4.

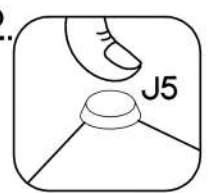


x2

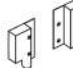
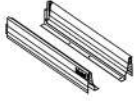





1.

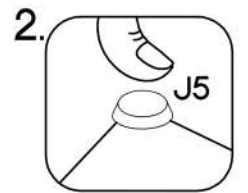
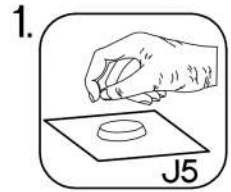
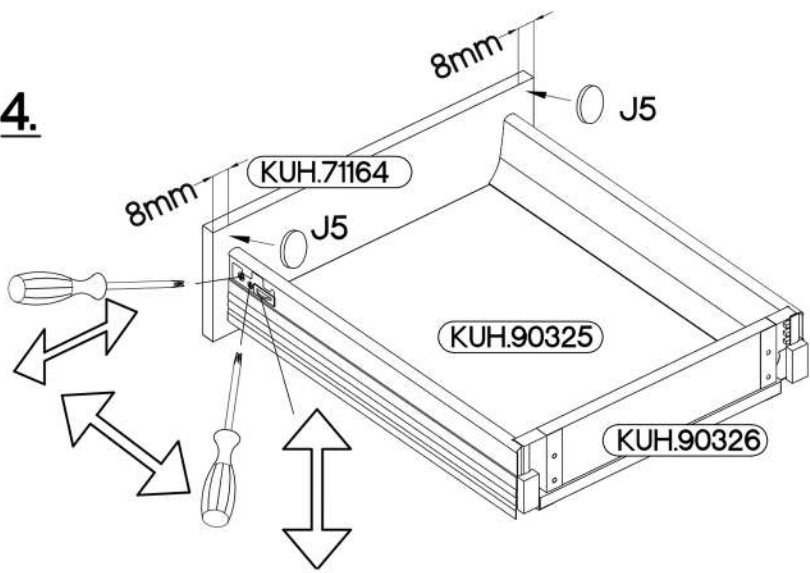
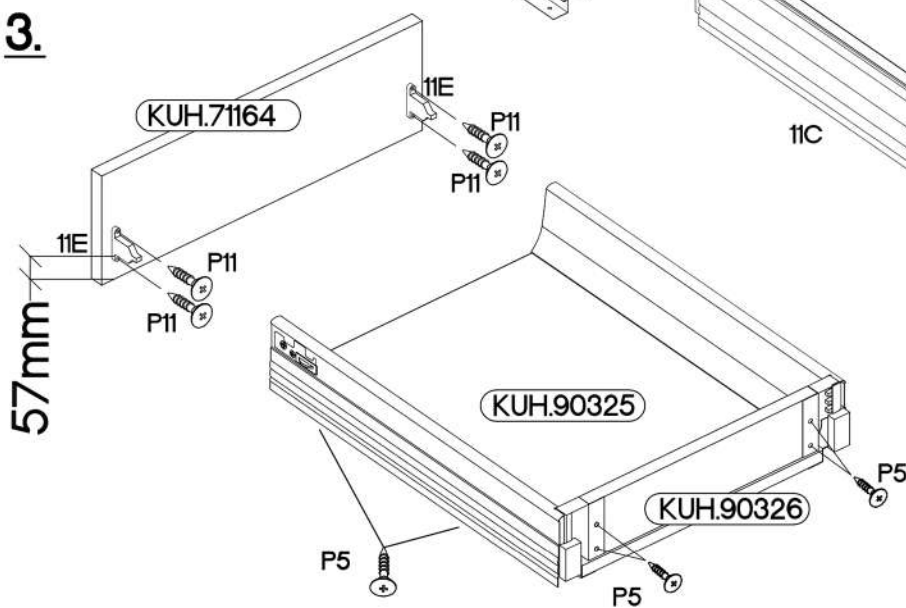
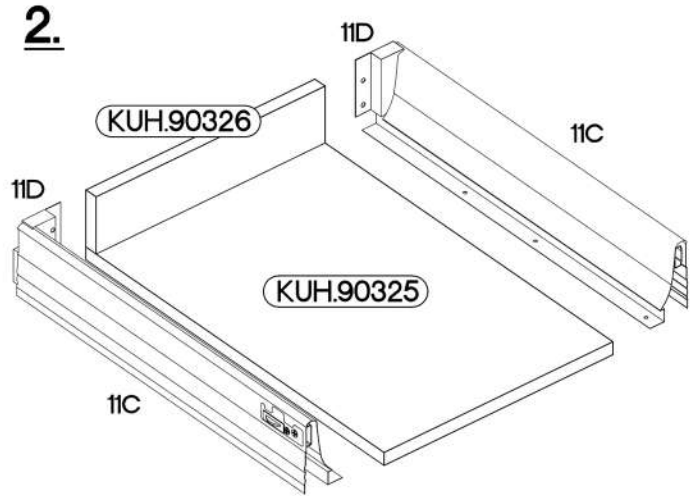
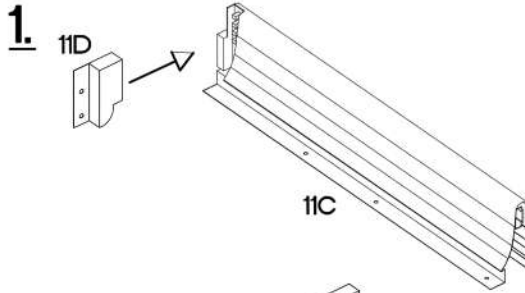


2.






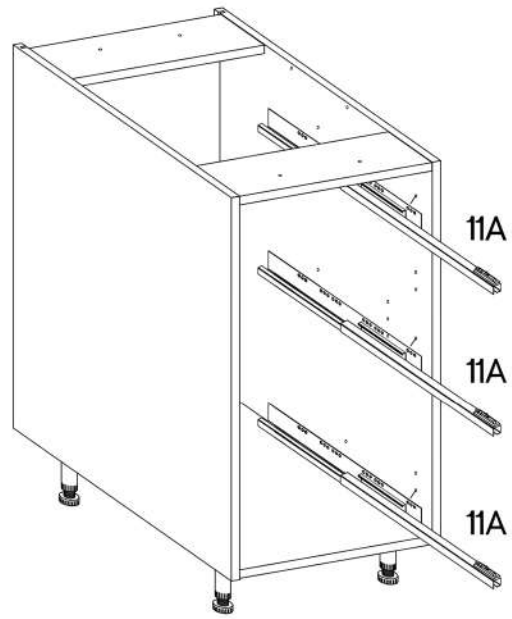
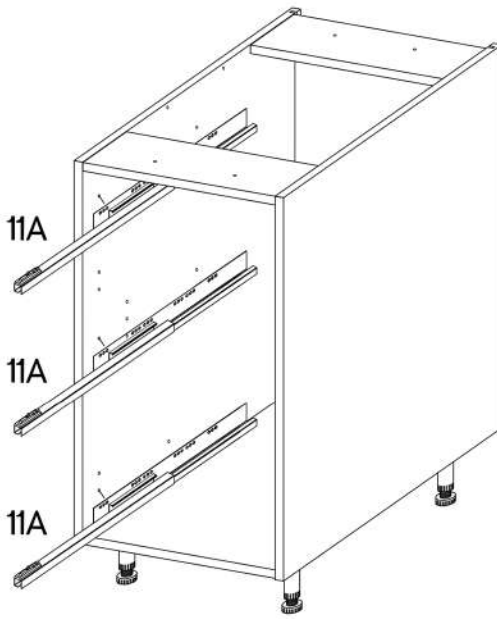
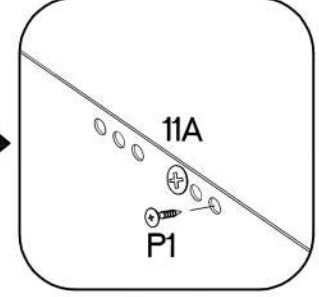
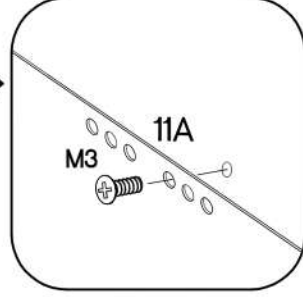
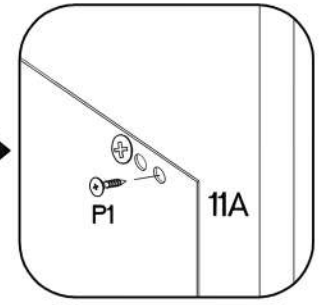
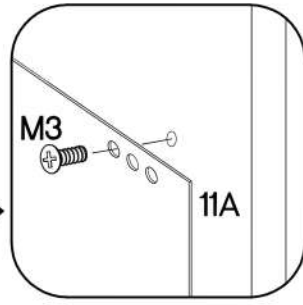
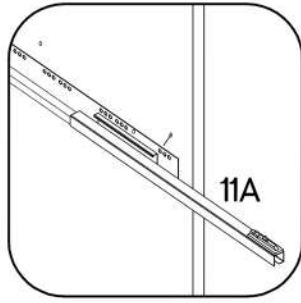
2

						
11D	11C	11E	±3.0x16mm P11	±3.5x13mm P5	11G	±7/2mm J5
1	1	2	4	8	2	2





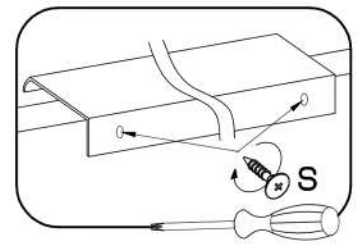
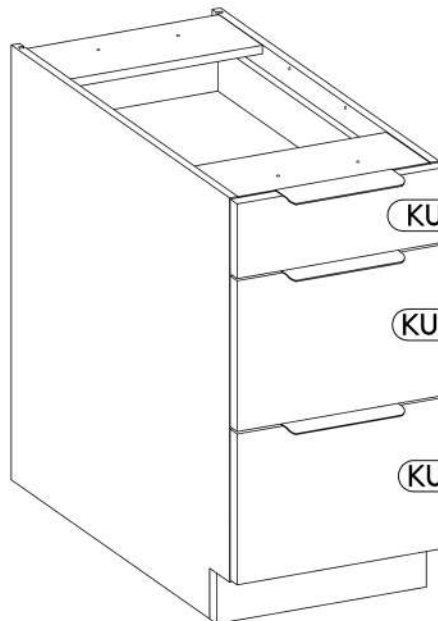
3

		
11A	M3	P1
3	12	12



4


L=192mm

S
3



KUH.71164

KUH.71165

KUH.71165