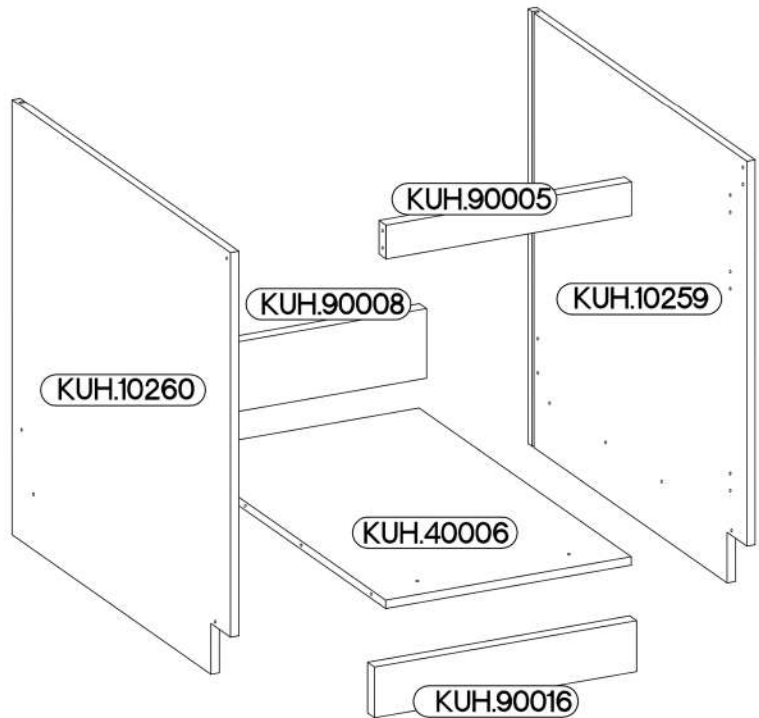
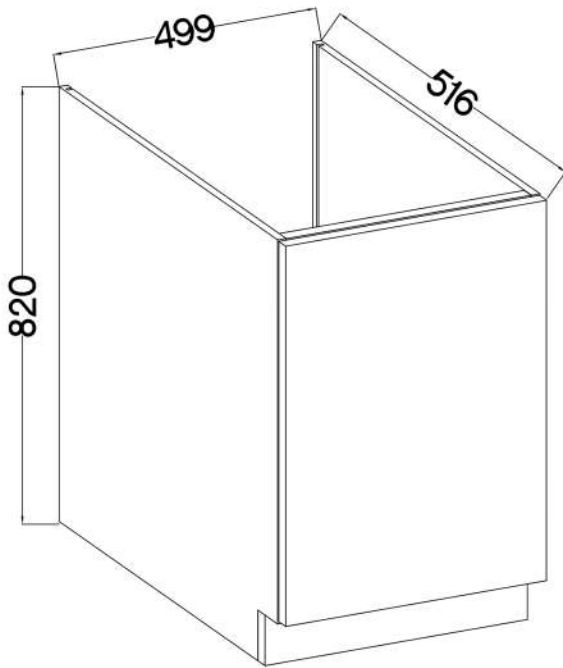


# ARSANY 50 ZL 1F BB



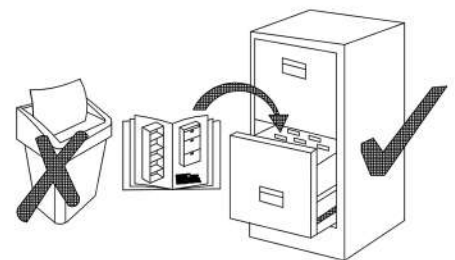
KUH.40006





KUH.10259	815x500x16
KUH.10260	815x500x16
KUH.40006	467x485x16
KUH.90005	467x63x16
KUH.90008	467x130x16
KUH.90016	499x95x16

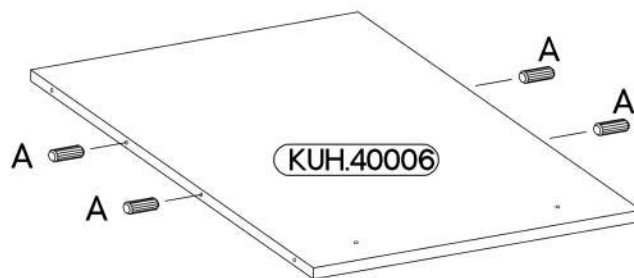
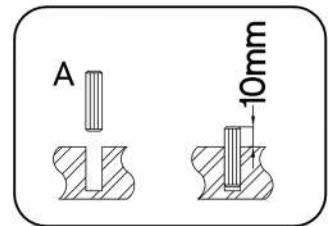
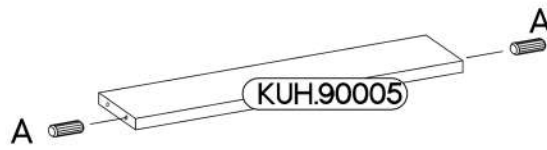
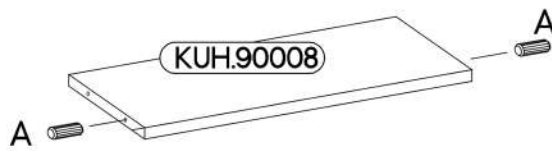
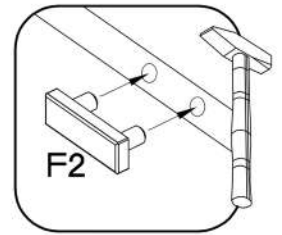
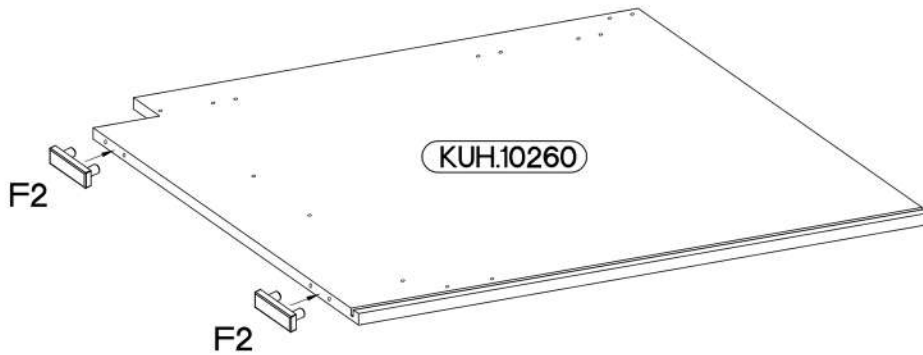
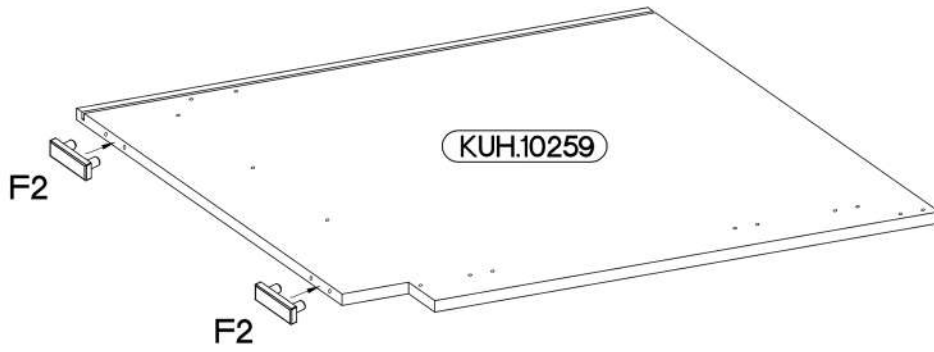
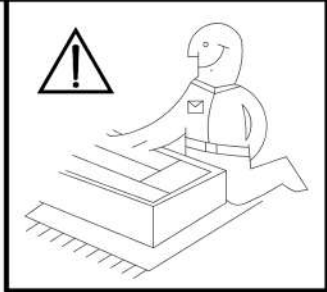
±8x30mm	6,4 x 50mm
A	B
8	8

E1	E9	F2	HG	O	P4	P5
8	2	4	2	1	2	4






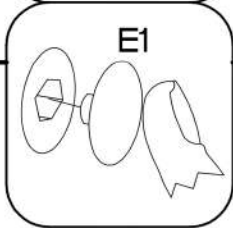
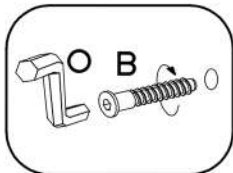
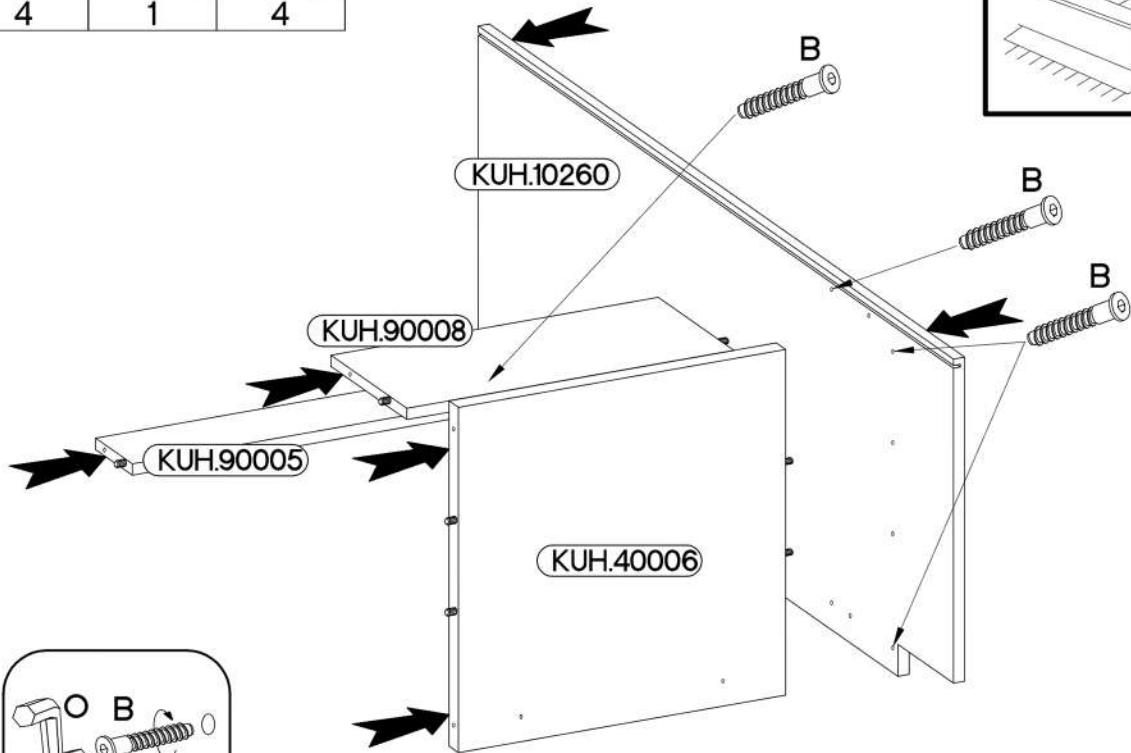
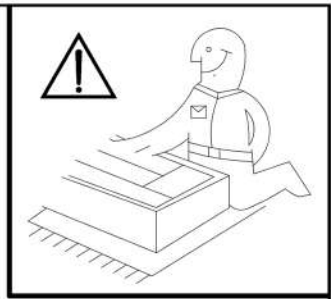
1

6.5x48x16  F2 4	∅8x30mm  A 8
---	--

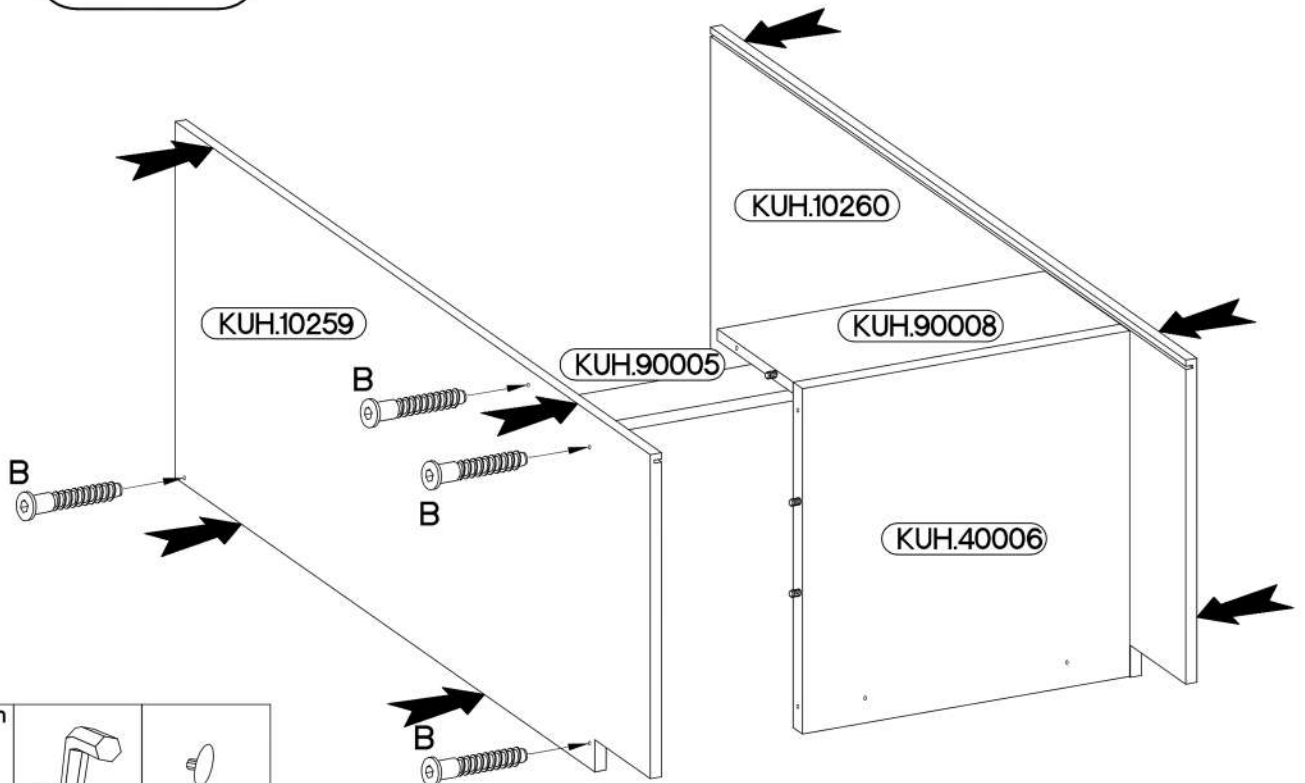





2

6,4 x 50mm		
		
B	O	E1
4	1	4





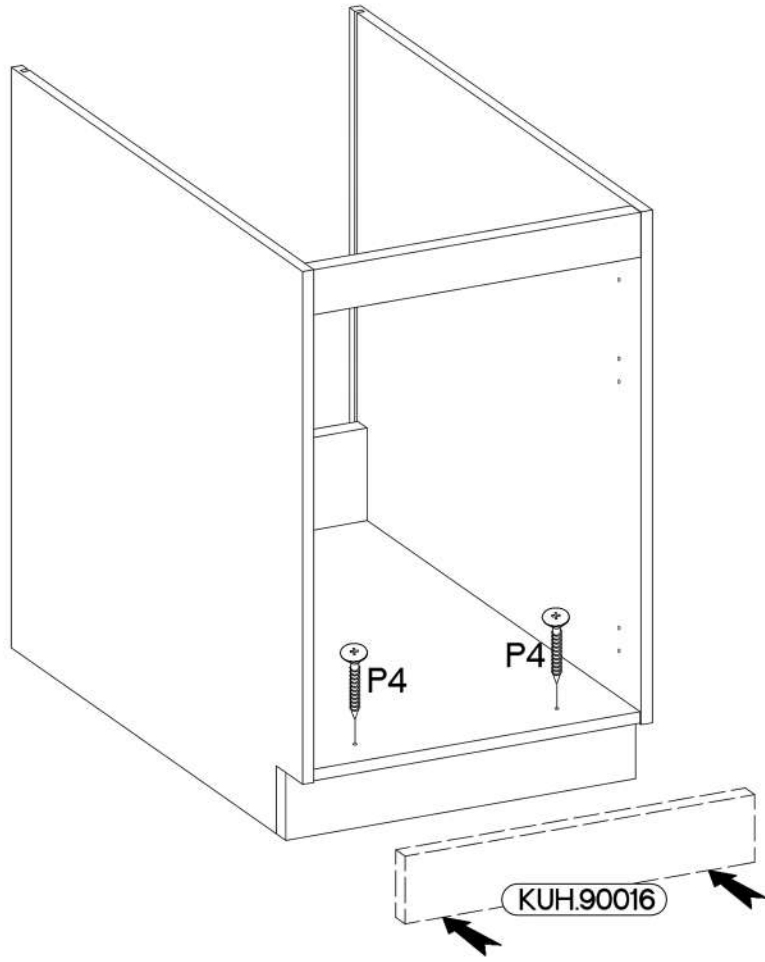
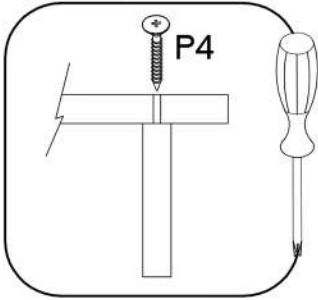
3



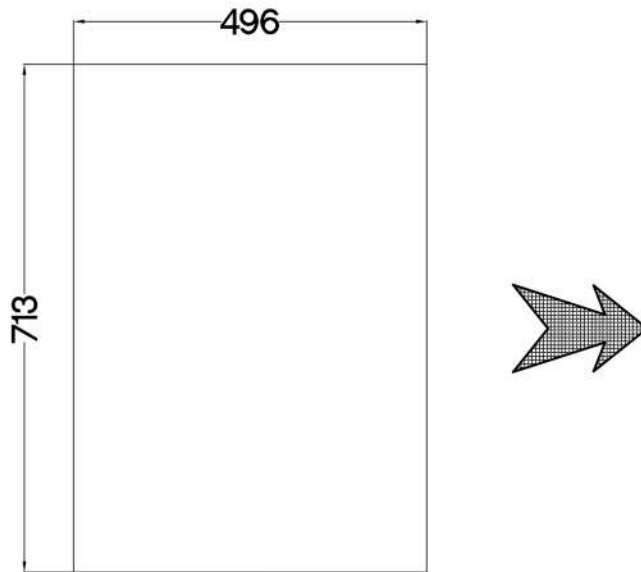
6,4 x 50mm		
		
B	O	E1
4	1	4

4

4.0x45mm	
	E9
P4	
2	2

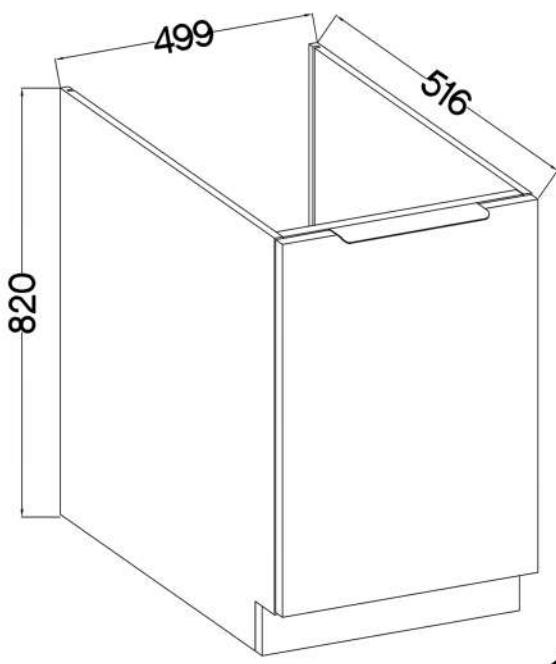


5

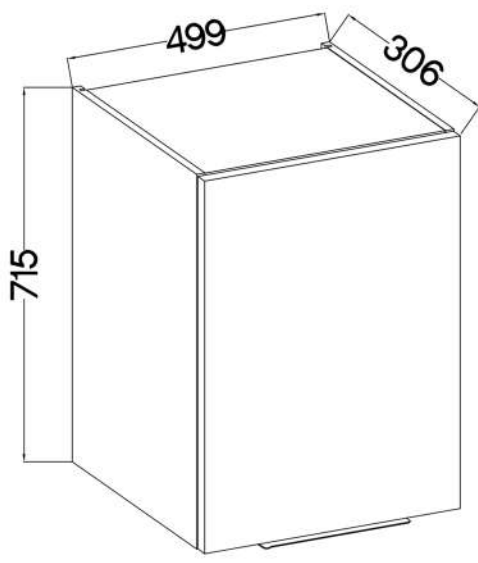


	<p>0.5h</p>	<p><b>713x496</b></p>	

50 ZL 1F BB



50 G-72 1F

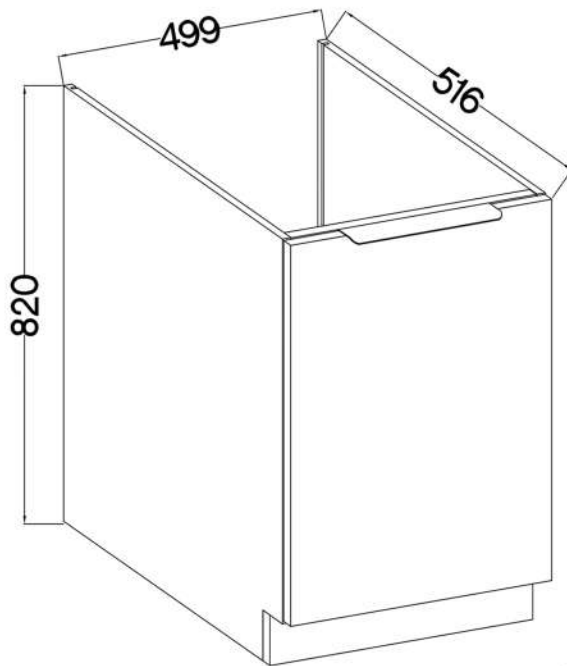


L=256mm	±7/2mm
S	J5
1	2

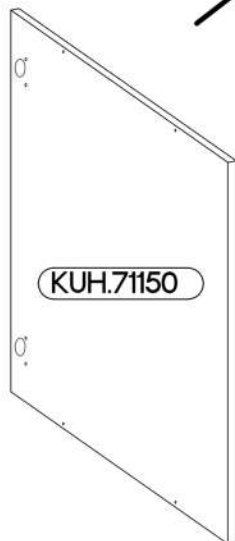
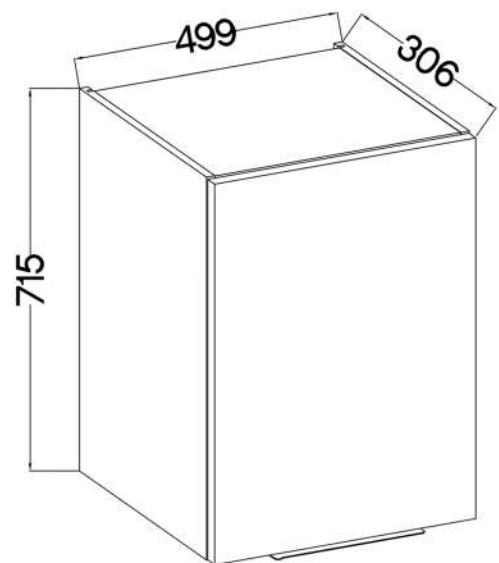
KUH.71150	713x496x16
-----------	------------

	<p>0.5h</p>	<p><b>713x496</b></p>	

50 ZL 1F BB



50 G-72 1F

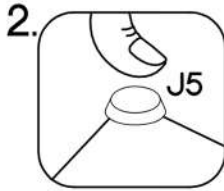
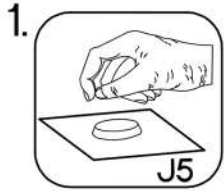
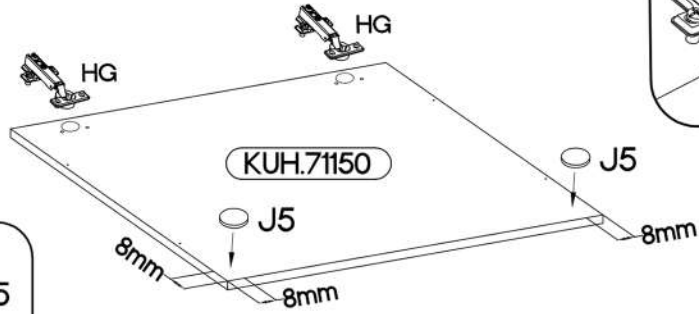
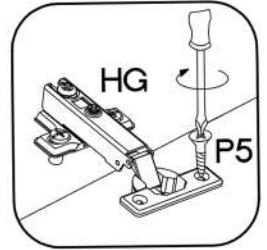


L=256mm	±7/2mm
S	J5
1	2

KUH.71150	713x496x16
-----------	------------

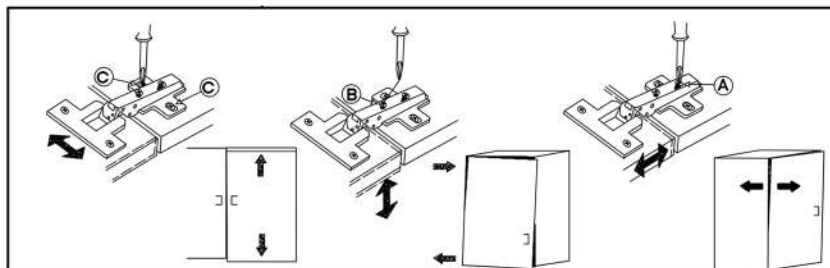
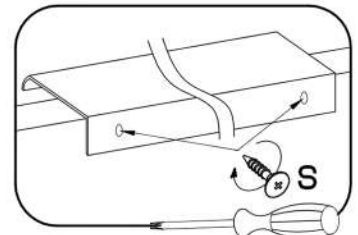
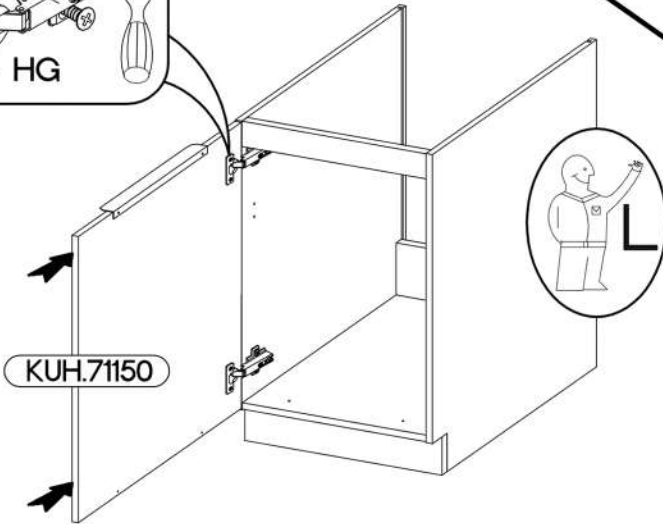
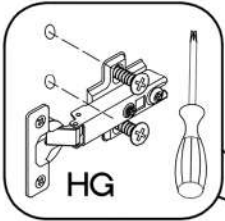
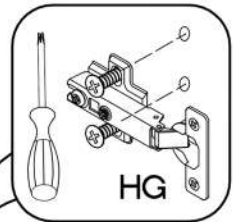
# 1 50 ZL 1F BB

±35/0mm [CD] HG 2	±3.5x13mm P5 4	±7/2mm J5 2
-------------------------	----------------------	-------------------



# 2

L=256mm
S
1



3

50 G-72 1F

L=256mm

