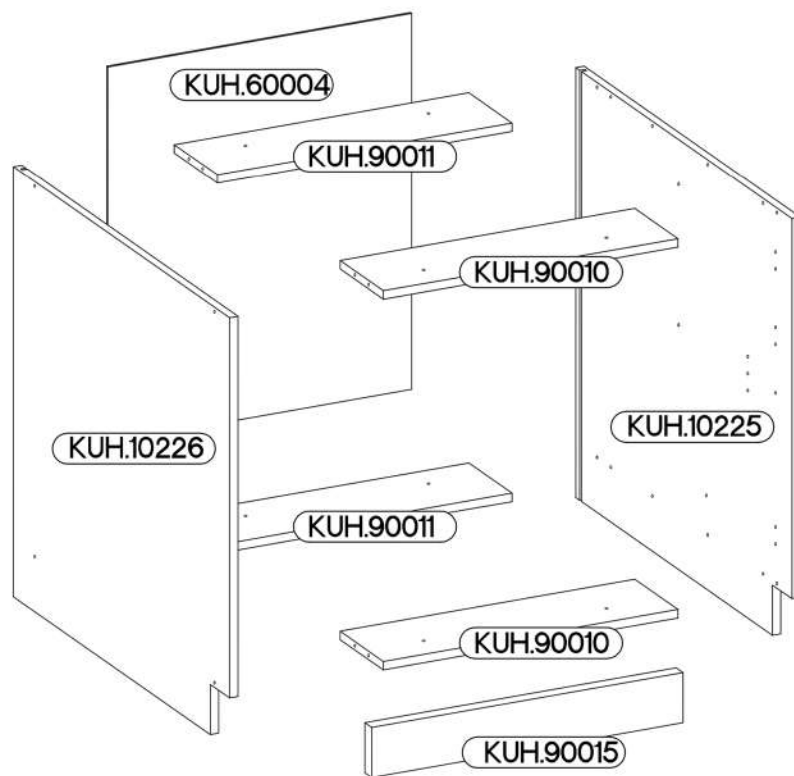
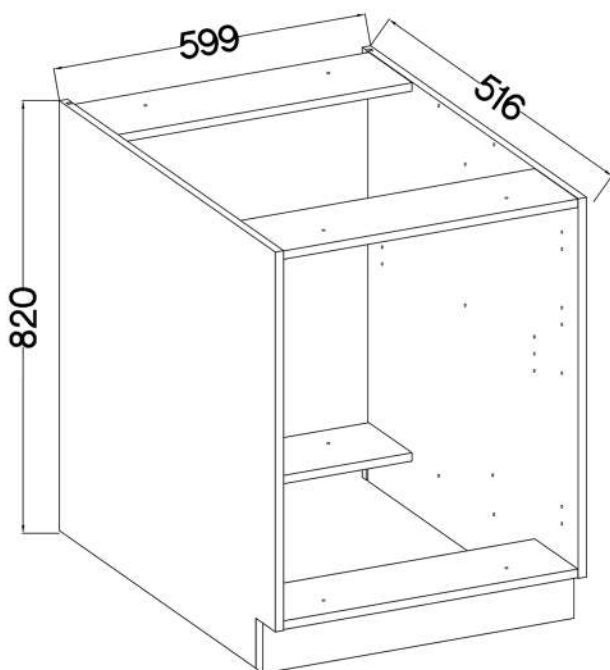
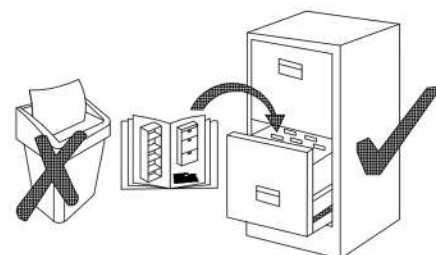


# ARSANY 60 D 3S BB



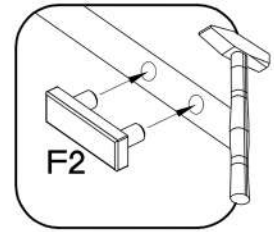
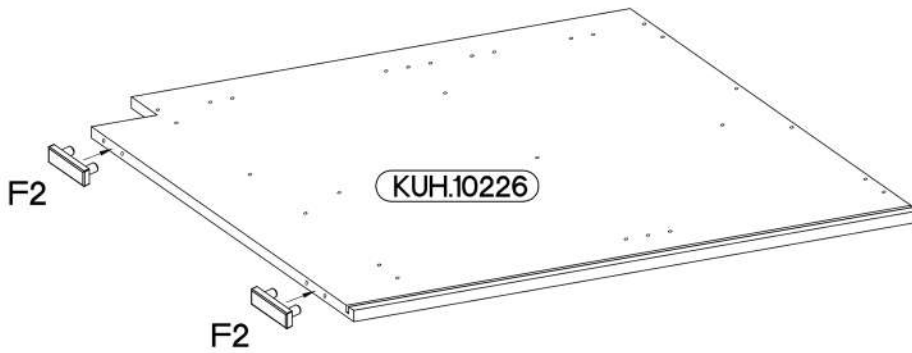
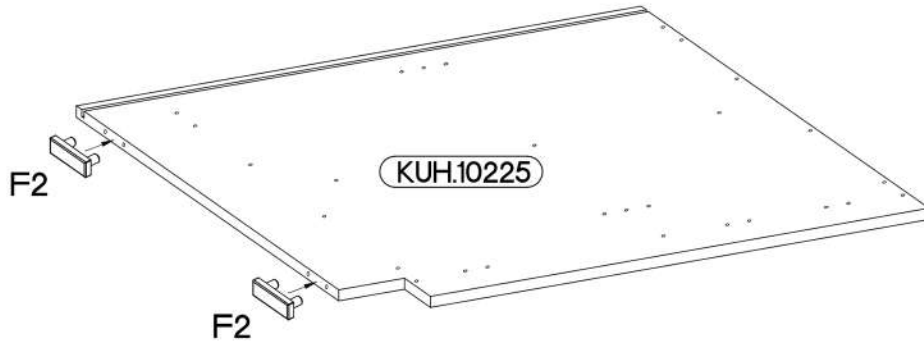
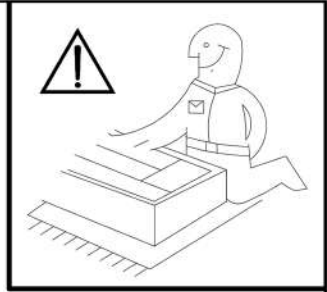
KUH.10225	815x500x16
KUH.10226	815x500x16
KUH.60004	713x585x2,5
KUH.90010 x2	567x100x16
KUH.90011 x2	567x100x16
KUH.90015	599x95x16

 <b>A</b> 8	 <b>B</b> 8	 <b>E1</b> 8	 <b>E9</b> 2	 <b>F2</b> 4	 <b>O</b> 1	 <b>P4</b> 2	 <b>P7</b> 8-10	 <b>R3</b> 4
†8x30mm	6,4 x 50mm			6.5x48x16		†4.0x45mm	†3.0x20mm	†4.0x35mm

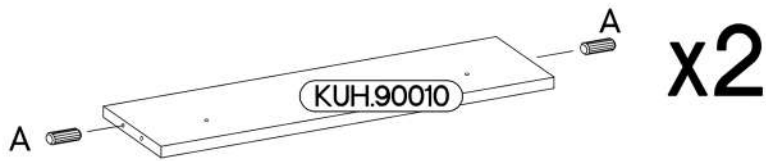


1

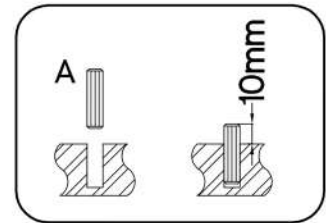
6.5x48x16 F2 4	±8x30mm A 8
----------------------	-------------------



x2

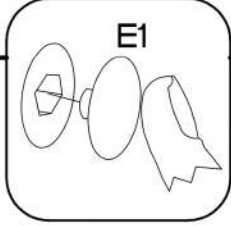
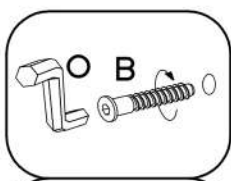
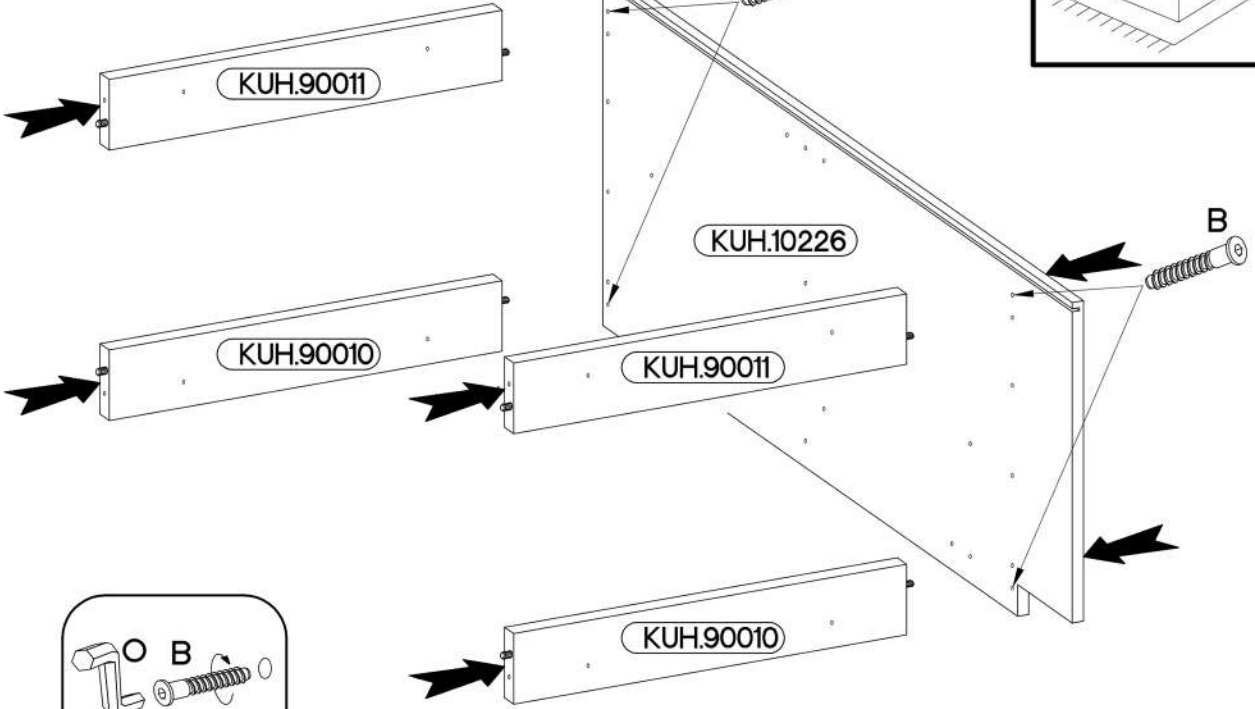
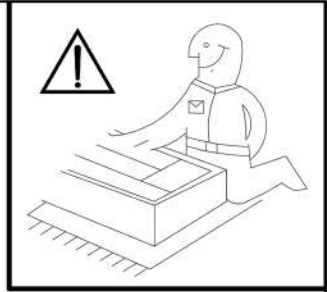
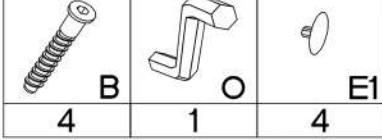


x2

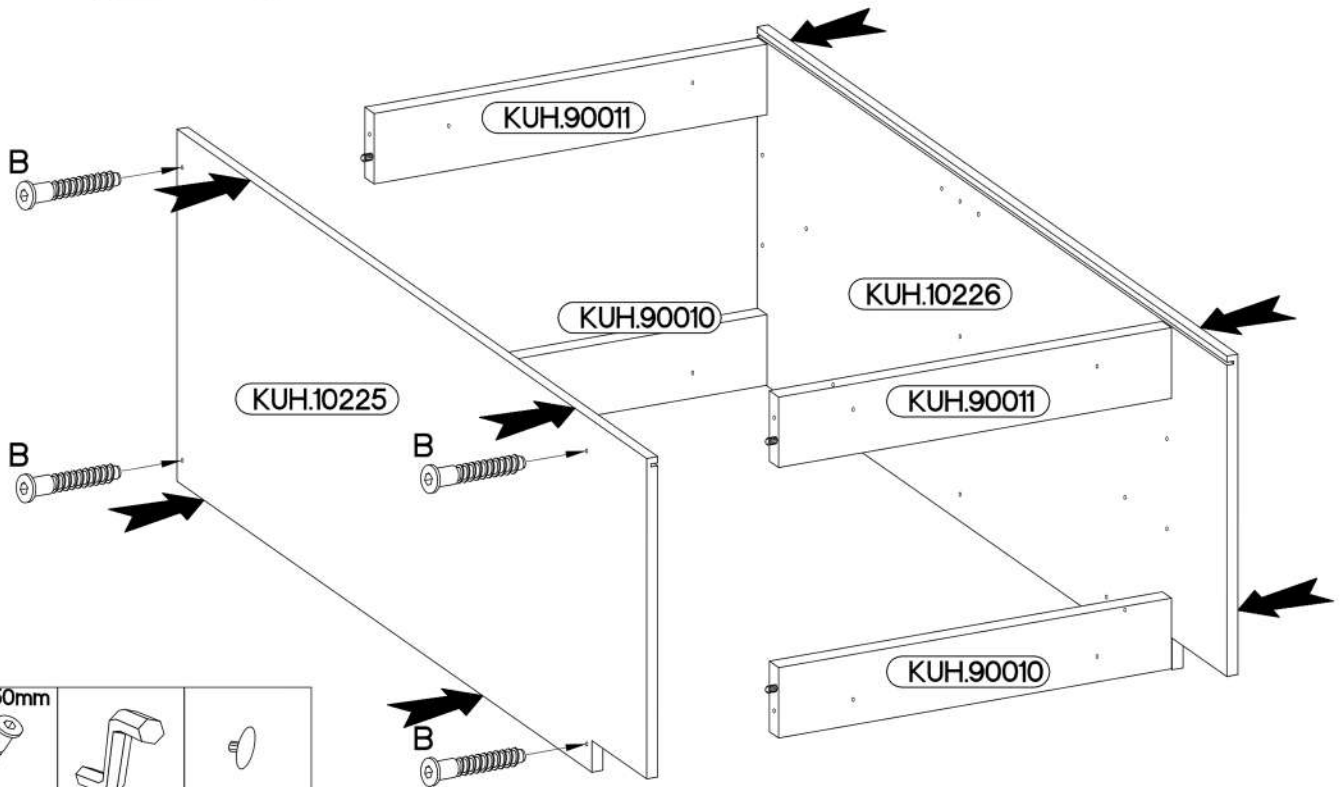


2

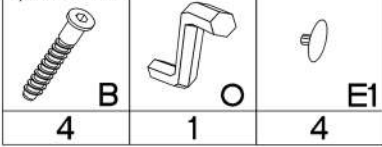
6,4 x 50mm



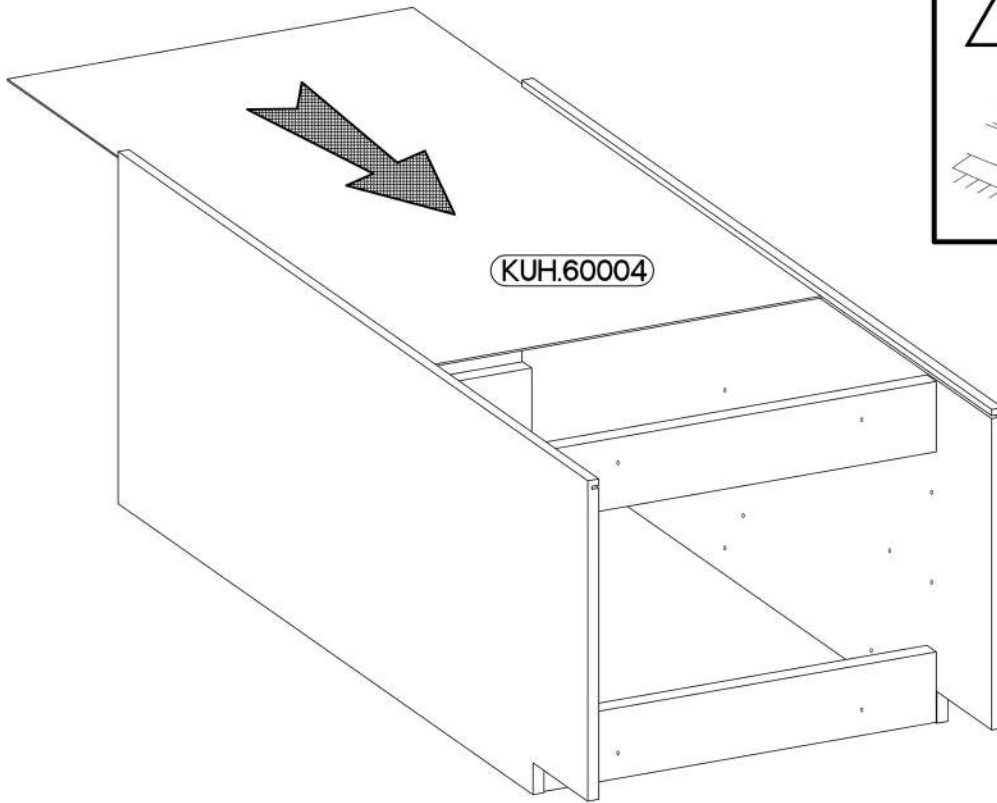
3



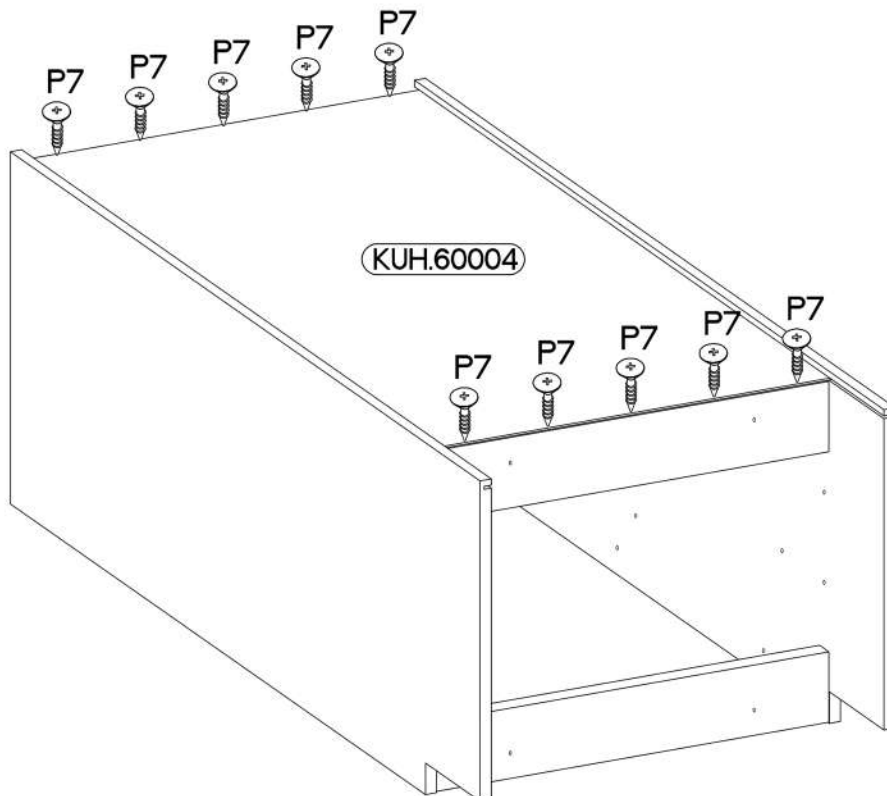
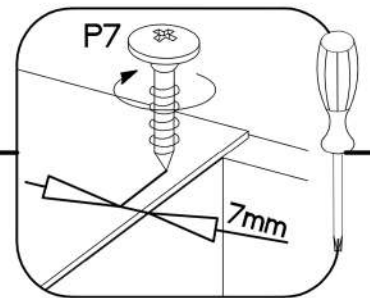
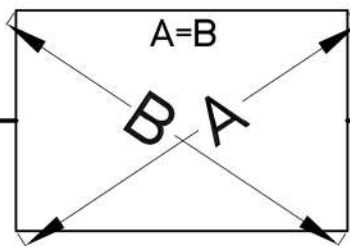
6,4 x 50mm





4

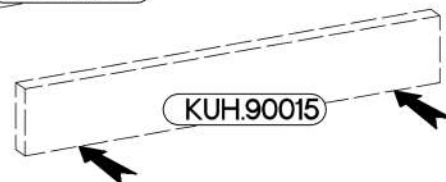
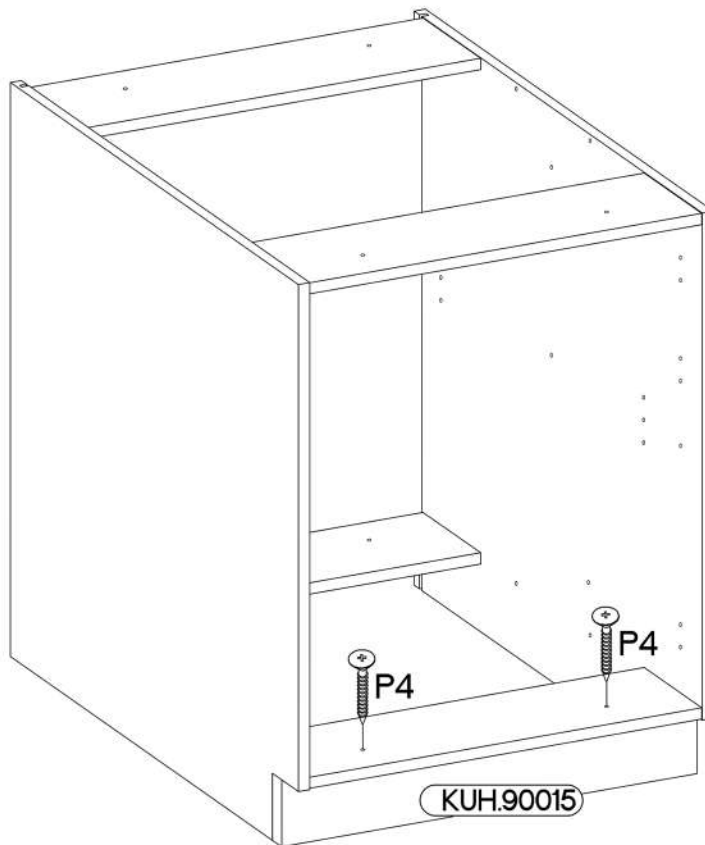
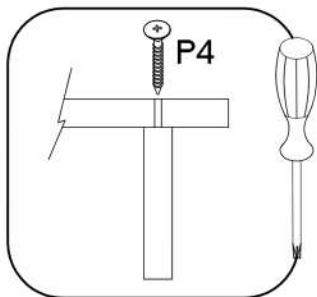


5



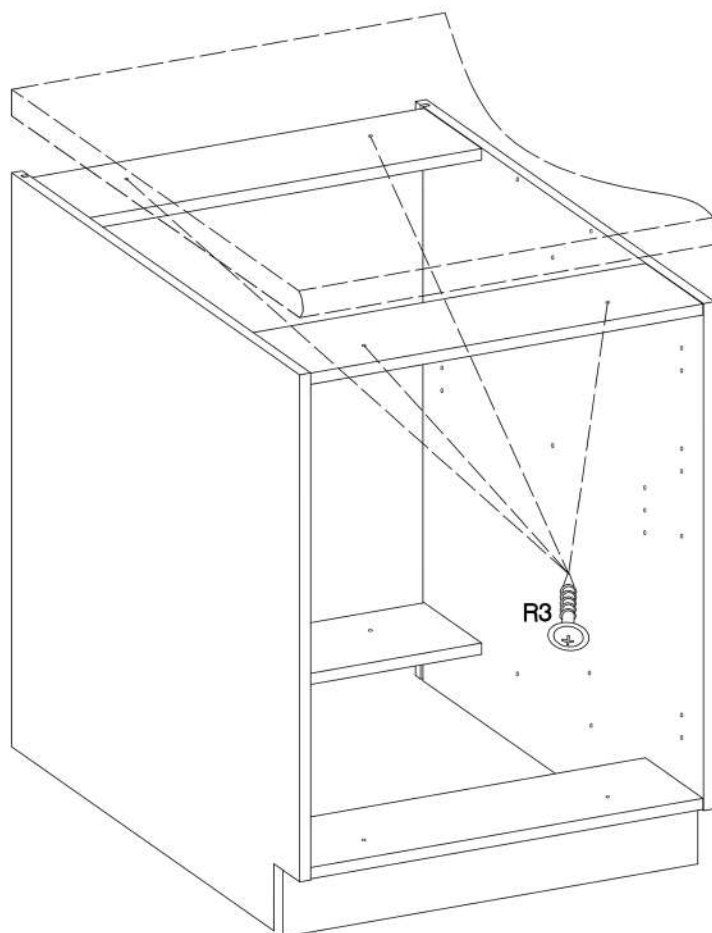
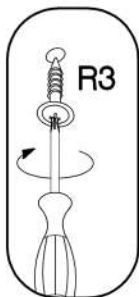
6

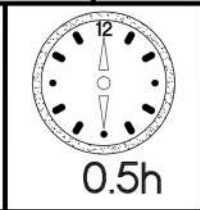
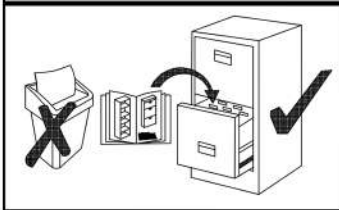
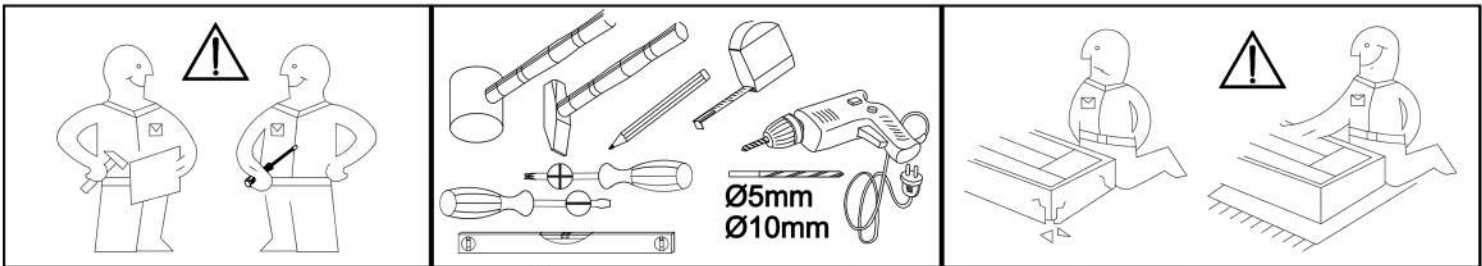
4.0x45mm	
	P4
2	2



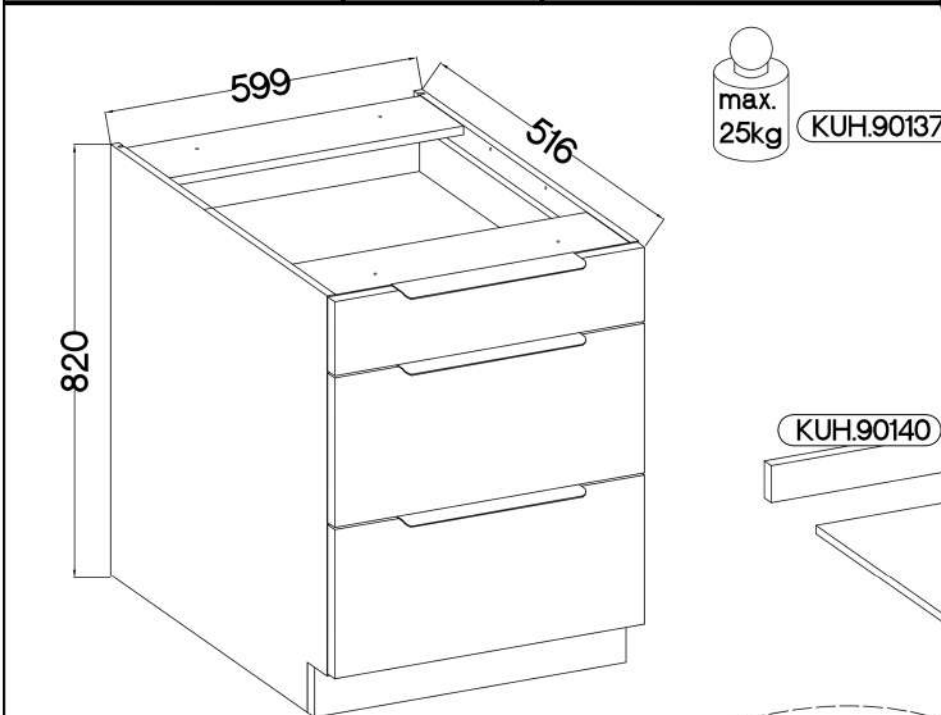
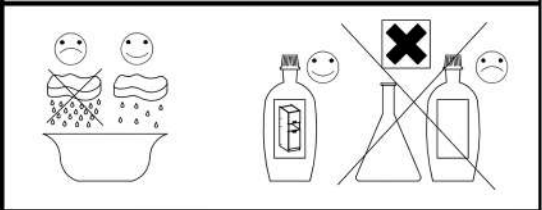
7

4.0x35mm	
R3	
4	

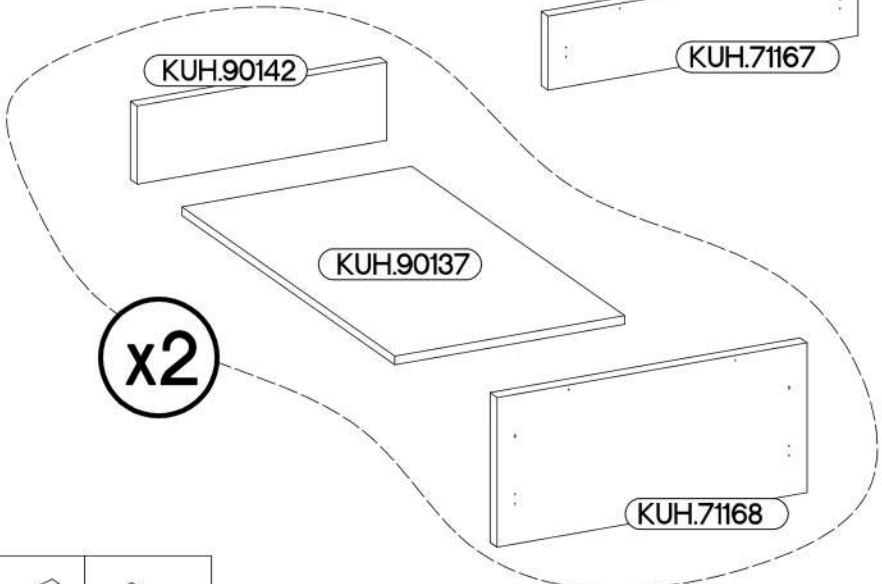
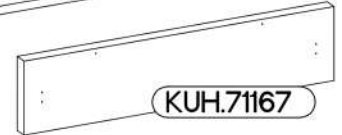
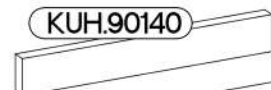
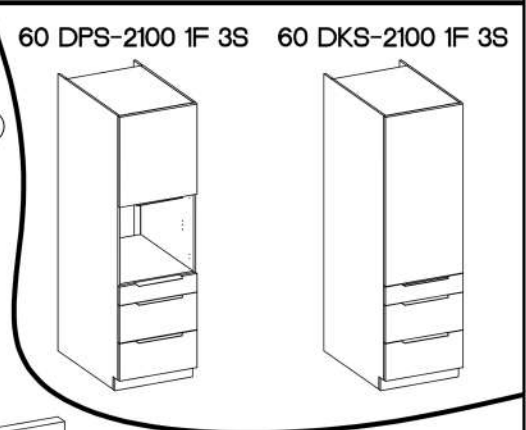




**60 D 3S BB**



max. 25kg  
KUH.90137



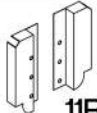






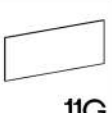

L=320mm	+7/2mm
S	J5
3	6

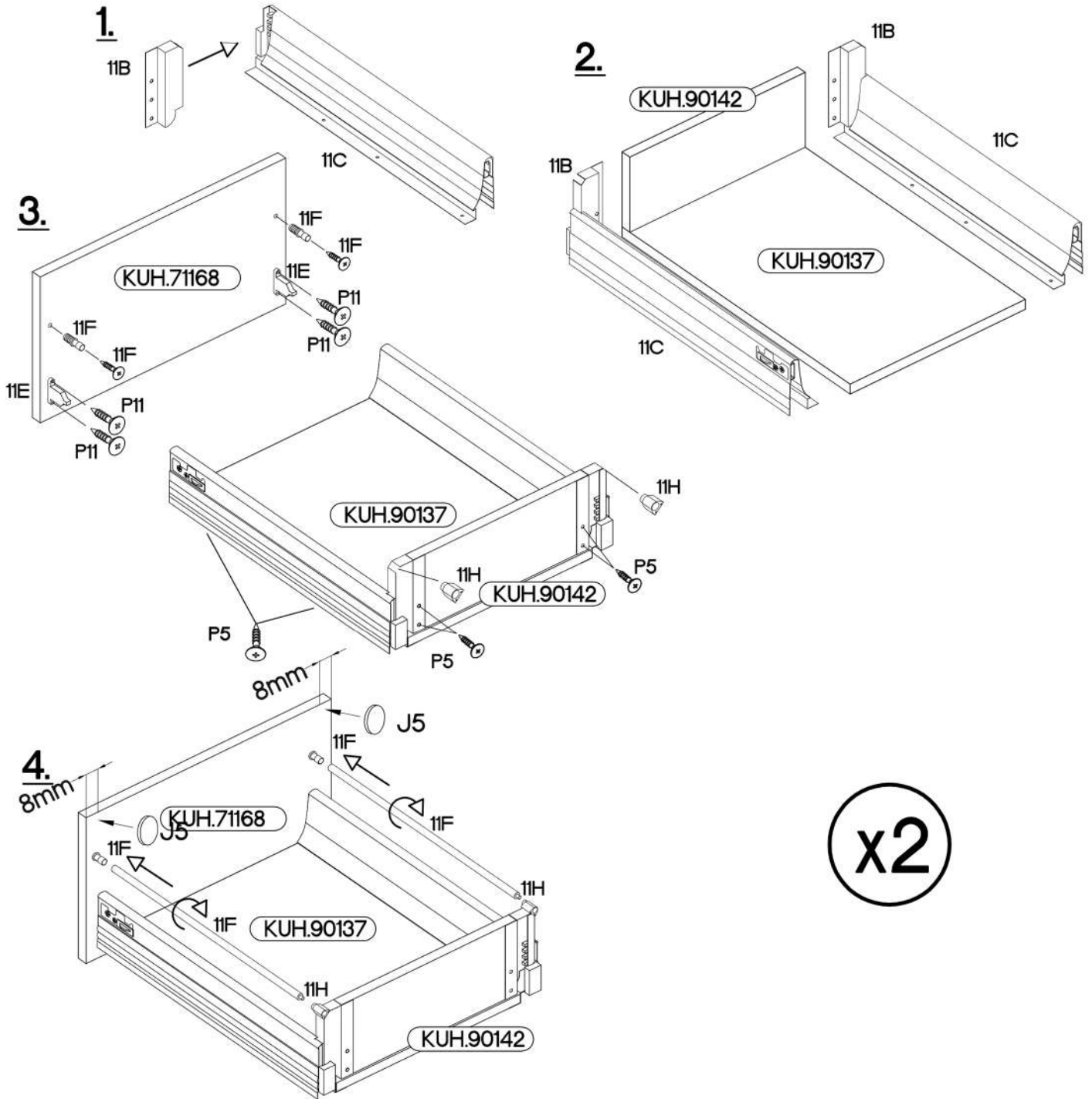
11A	11B	11C	11D	11E
3	2	3	1	6

11F	11G	11H	M3	P1	P5	P11
4	6	4	12	12	24	12

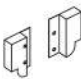






KUH.71167	140x596x16
KUH.71168 x2	283x596x16
KUH.90137 x3	442x492x16
KUH.90140	480x70x16
KUH.90142 x2	480x148x16

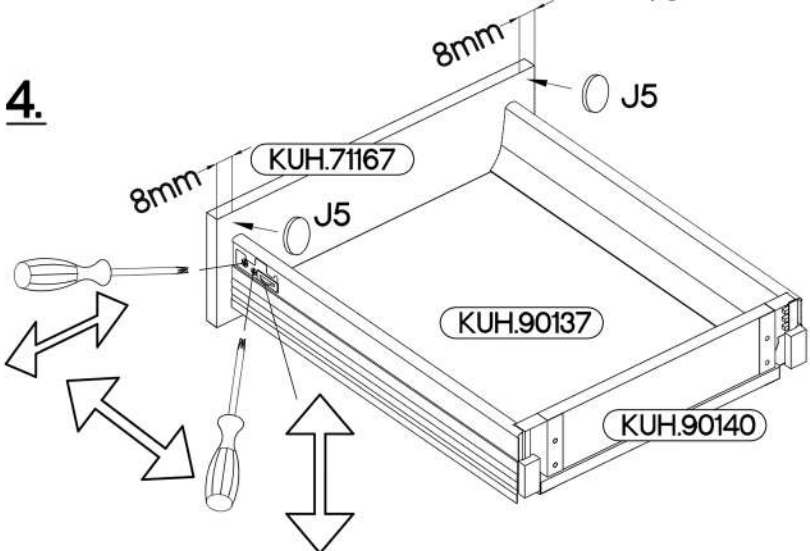
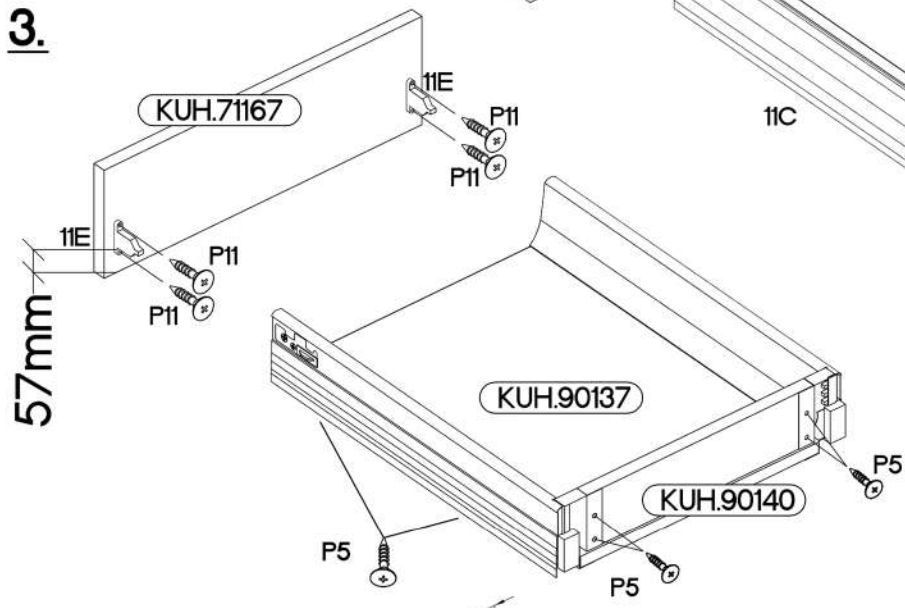
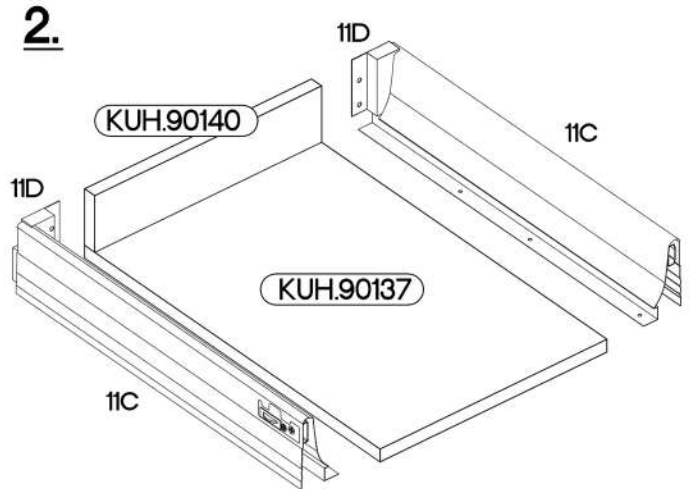
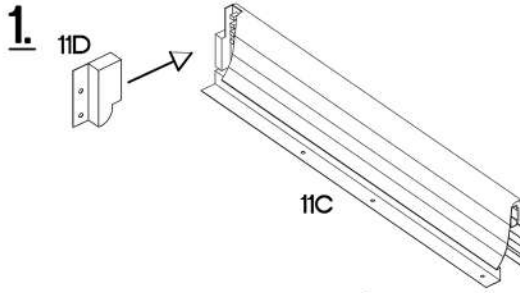
1

 11B	 11C	 11E	 11F	 11H	 P11	 P5	 11G	 J5
2	2	4	4	4	8	16	4	4






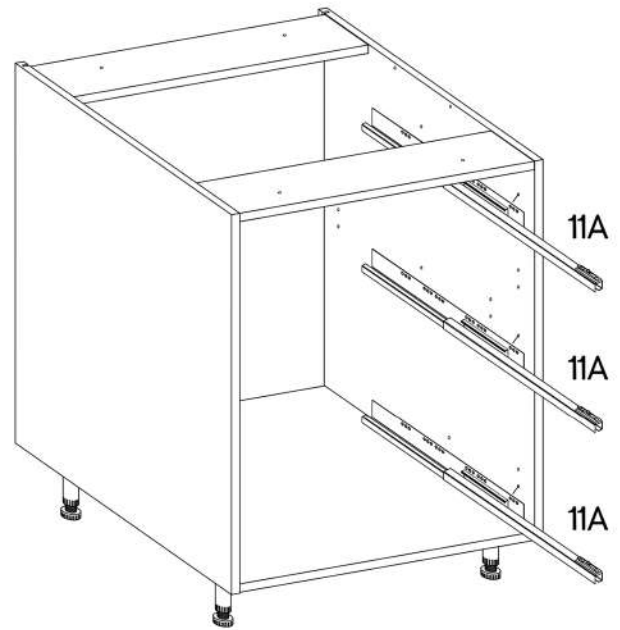
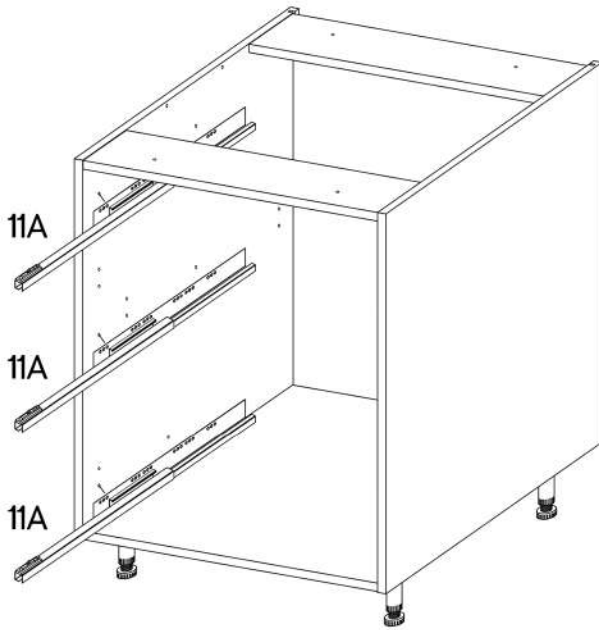
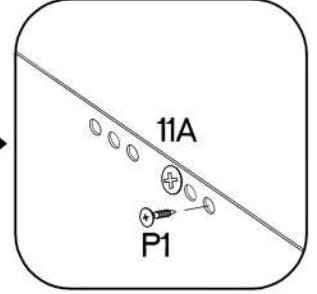
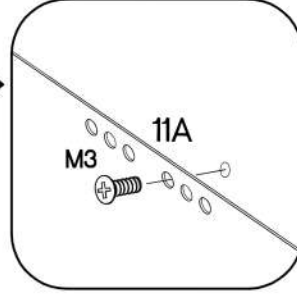
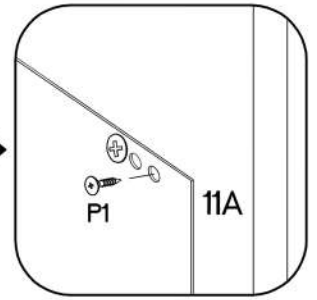
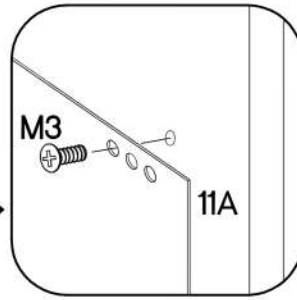
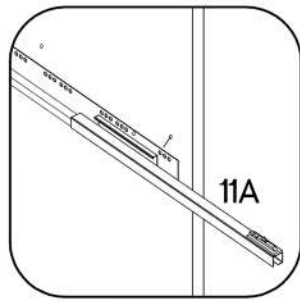
# 2

						
11D	11C	11E	P11	P5	11G	J5
1	1	2	4	8	2	2





# 3

	$\pm 6.3 \times 13 \text{mm}$ 	$\pm 4.0 \times 16 \text{mm}$ 
11A	M3	P1
3	12	12



# 4

$L=320 \text{mm}$ 
 S
3

