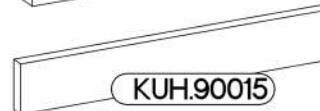
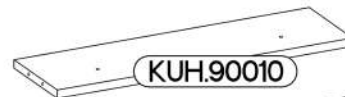
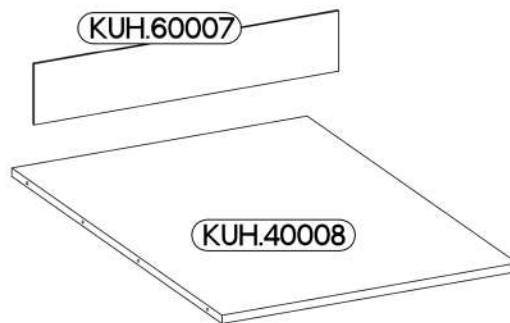
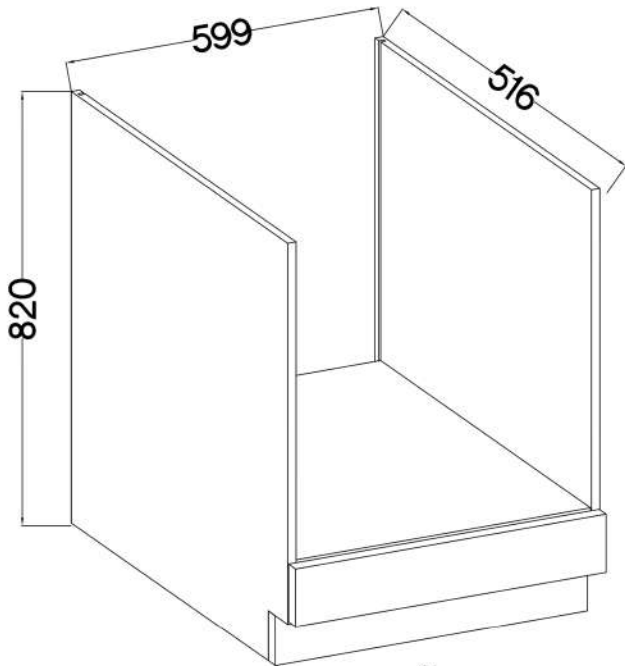
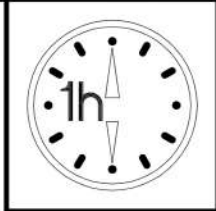


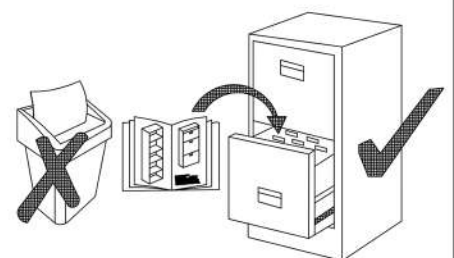
ARSANY 60D GAZ BB





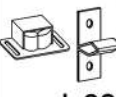

KUH.10045	815x500x16
KUH.10046	815x500x16
KUH.40008	567x485x16
KUH.60007	115x585x2,5
KUH.90010	567x100x165
KUH.90011	567x100x165
KUH.90015	599x95x16

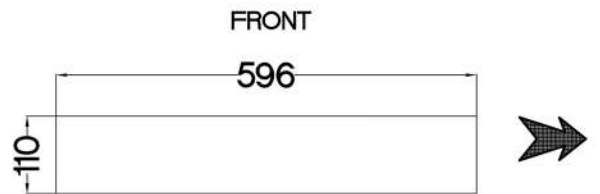
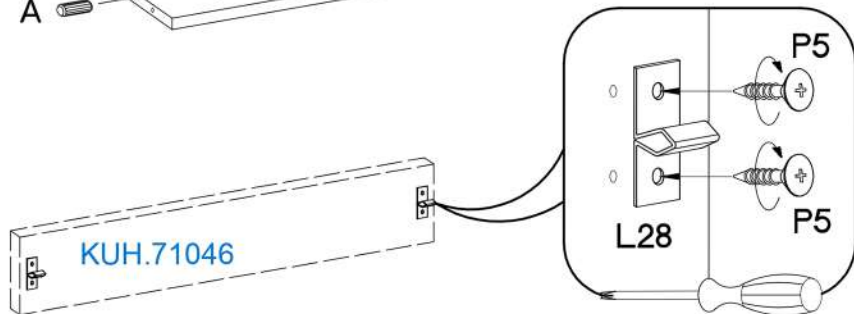
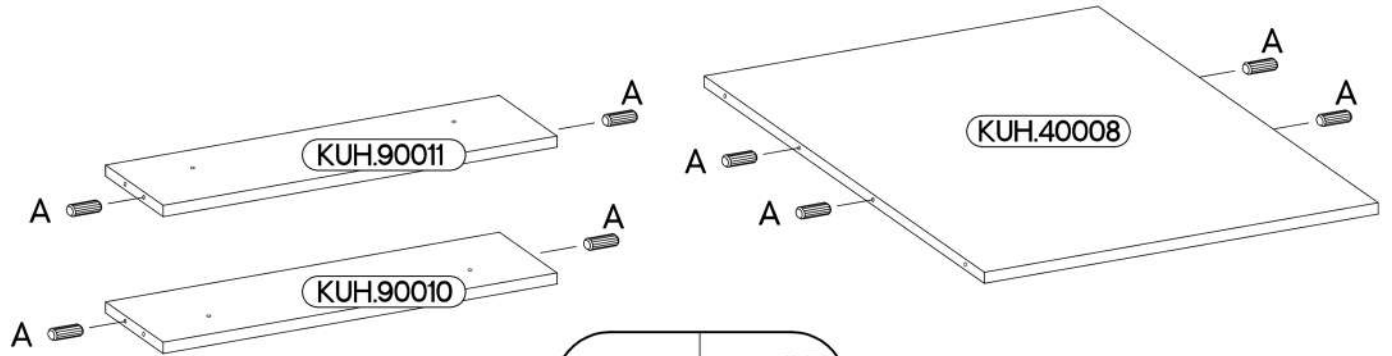
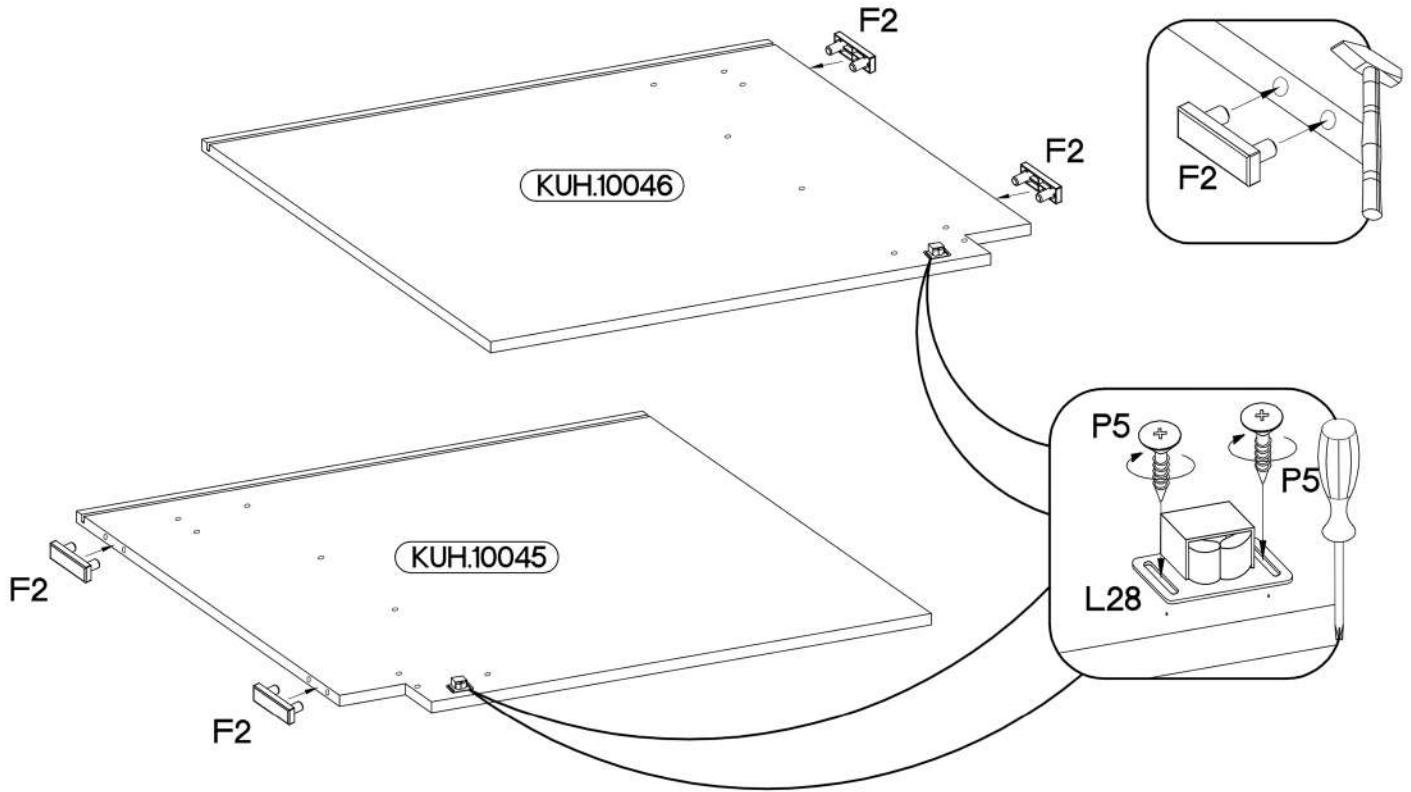
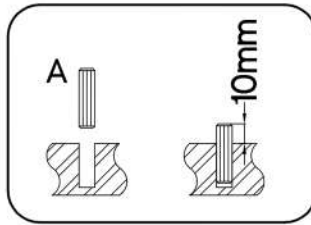
+8x30mm	6,4 x 50mm
A	B
8	8

	6.5x48x16				+4.0x45mm	+3.5x13mm	+3.0x20mm
E1	F2	L28	O	P4	P5	P7	
8	4	2	1	2	8	8-10	



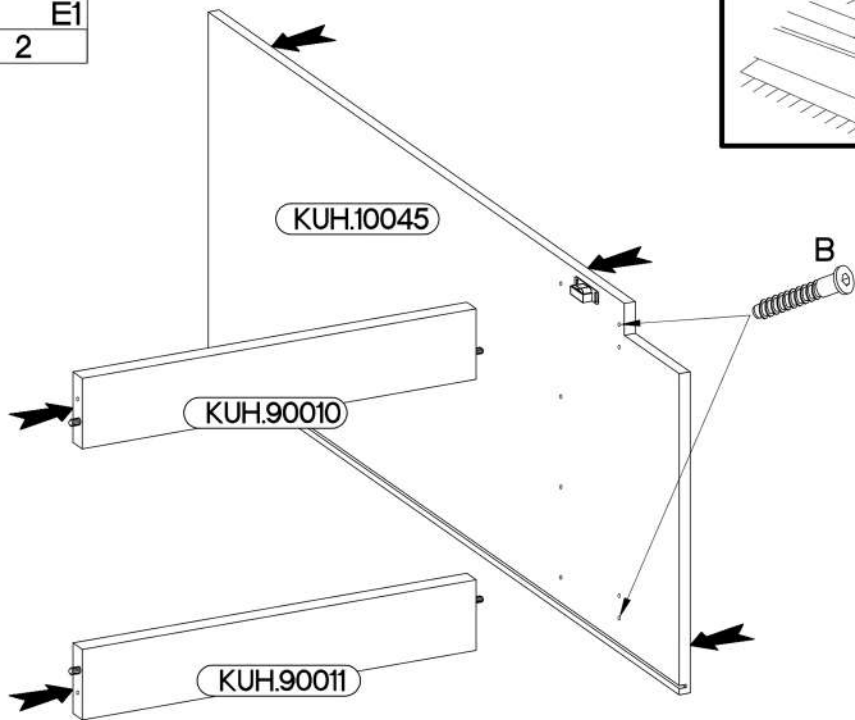
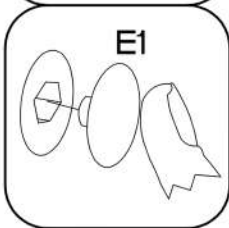
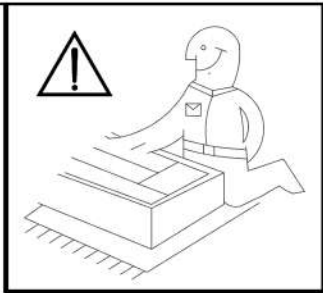
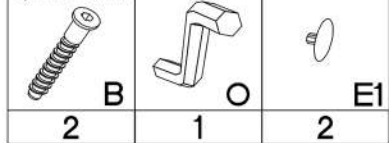
1

 #8x30mm A 8	 6.5x48x16 F2 4	 L28 2	 #3.5x13mm P5 8
--	---	---	---



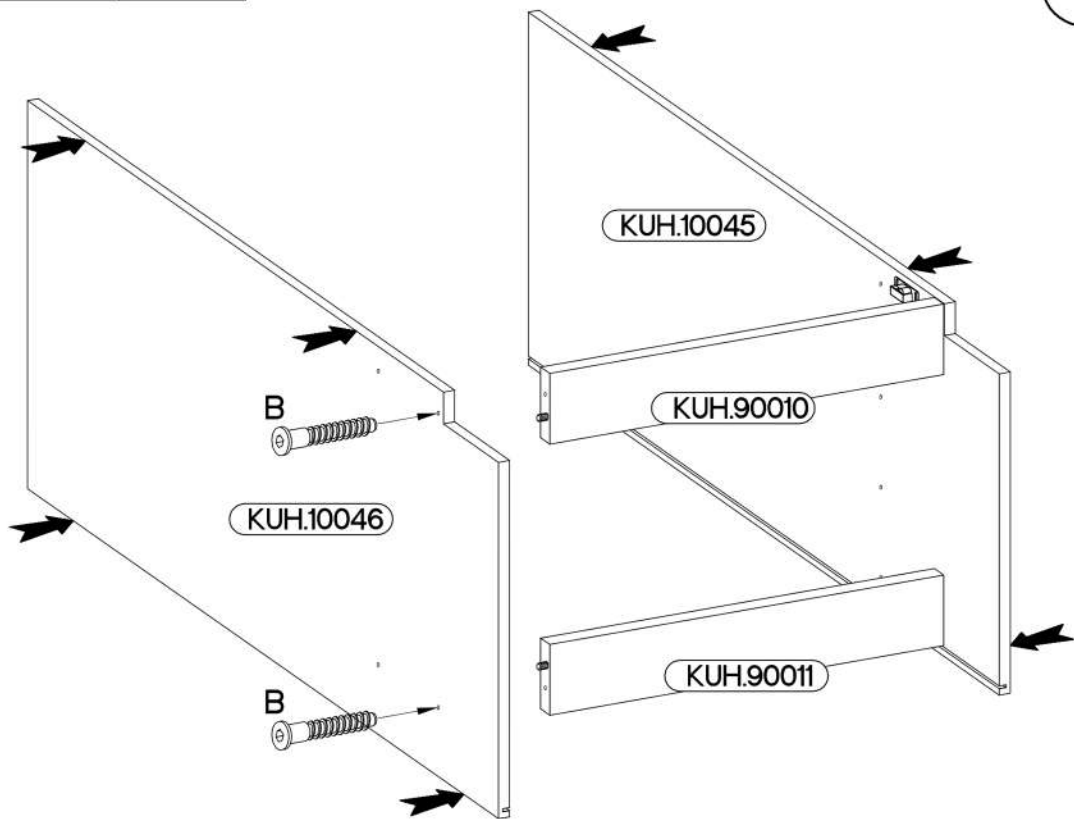
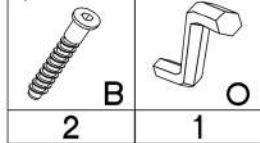
2

6,4 x 50mm

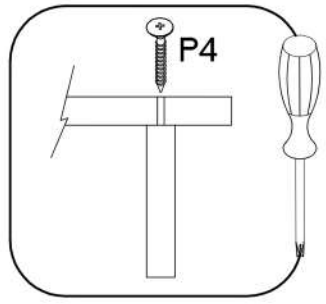
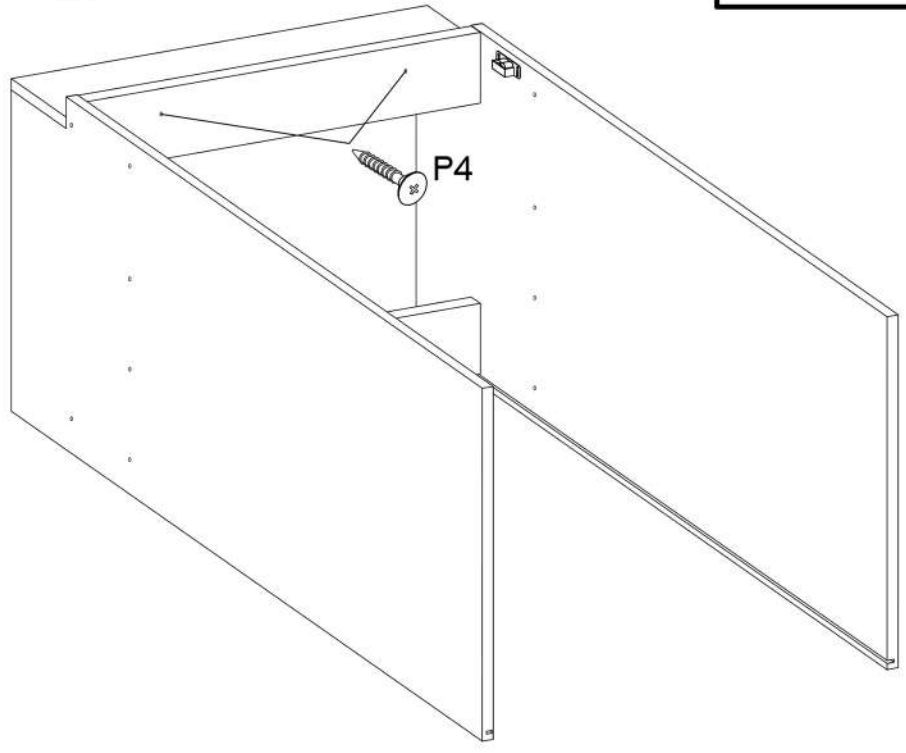
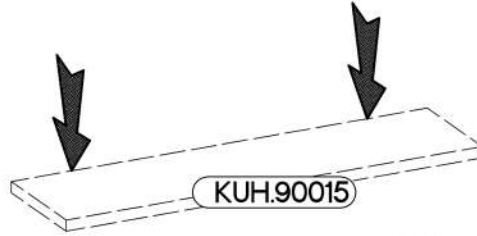
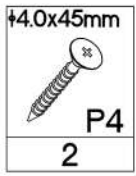


3

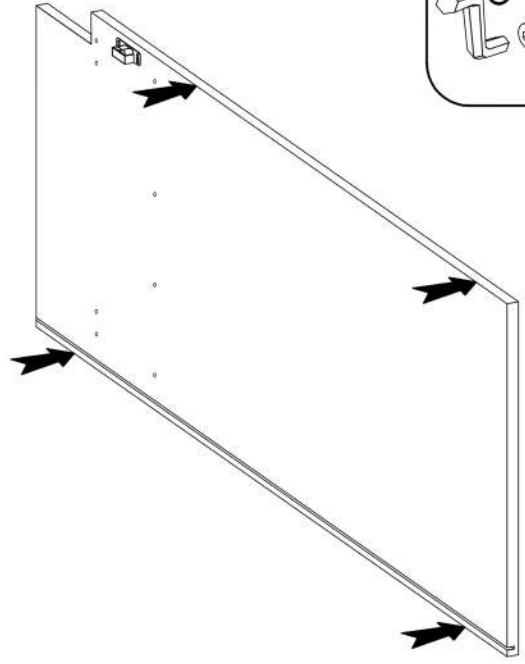
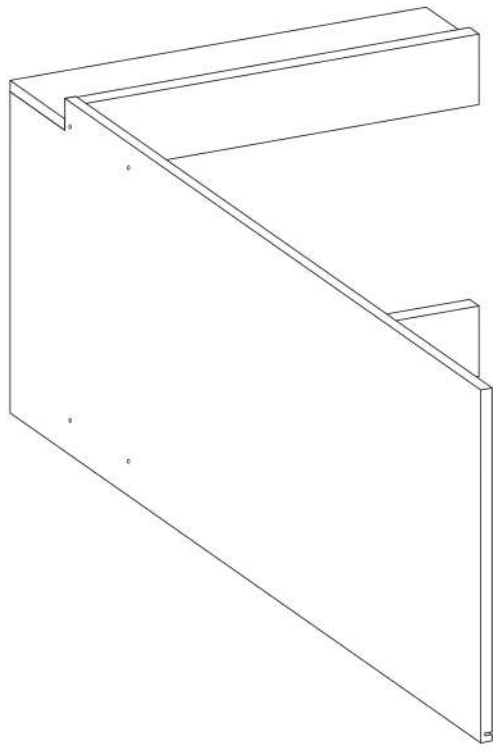
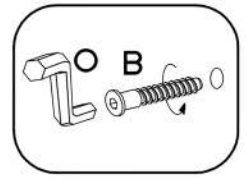
6,4 x 50mm






4

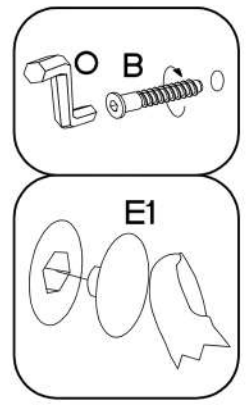
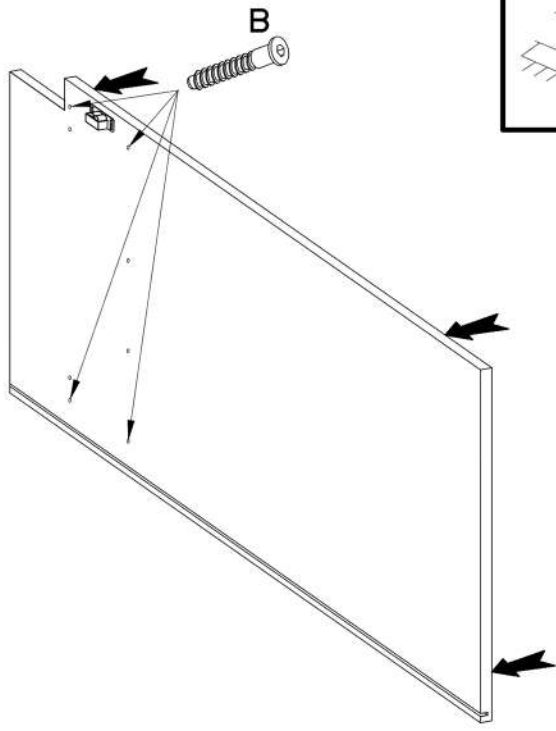
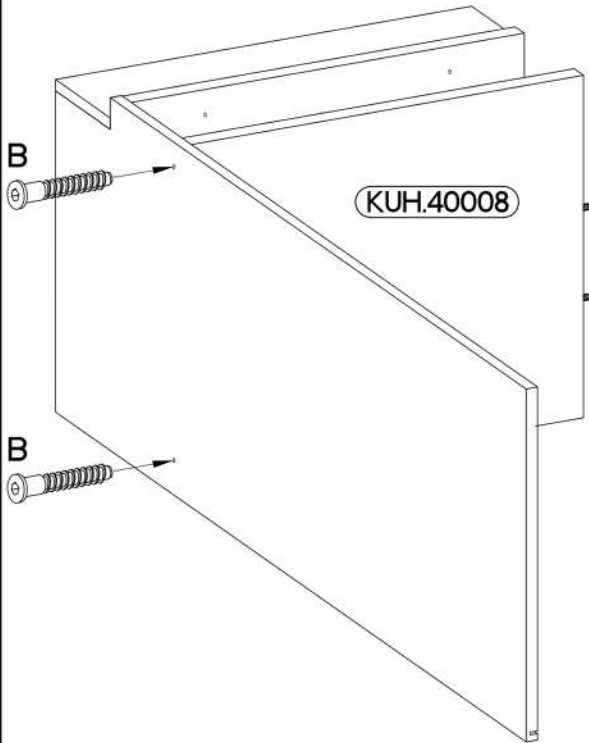


5



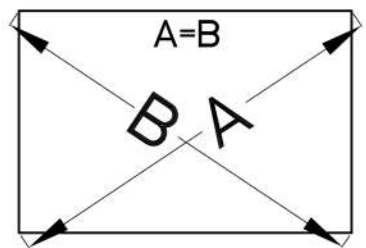
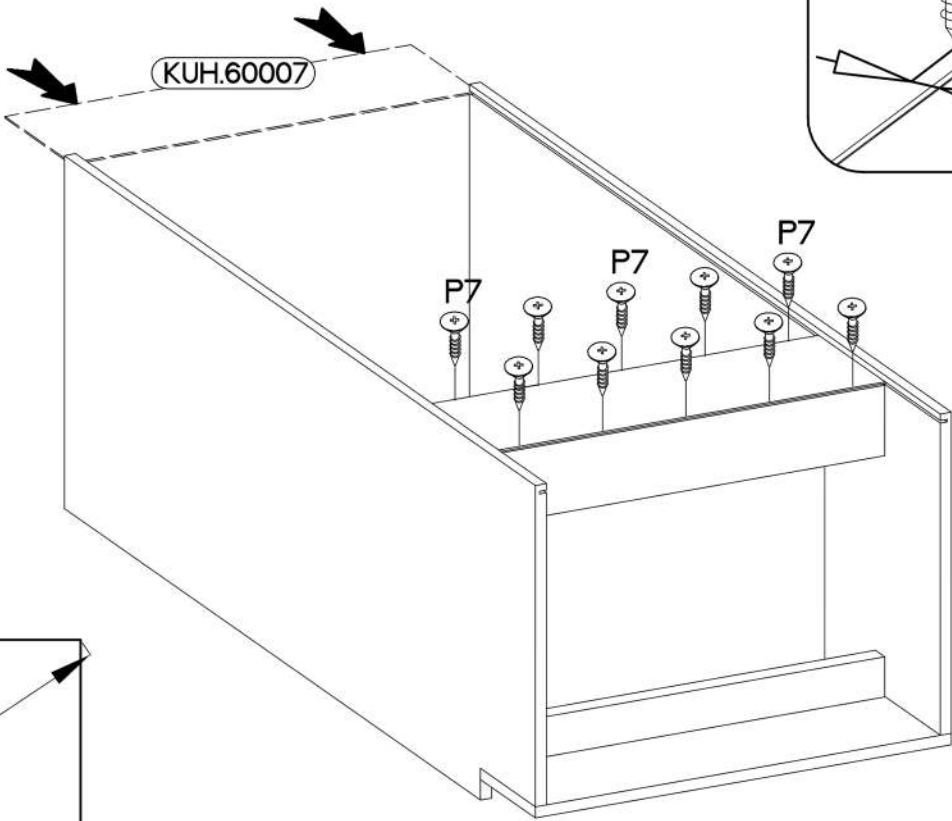
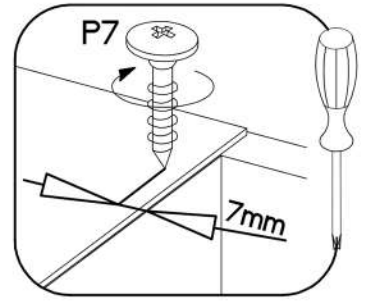
6

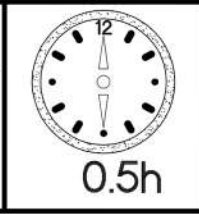
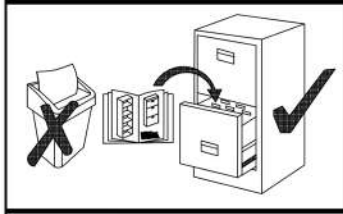
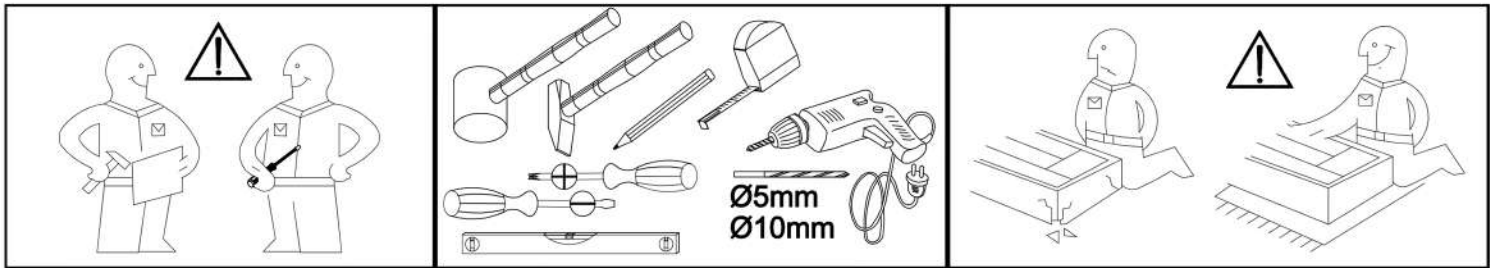
6,4 x 50mm		
		
B	O	E1
6	1	6



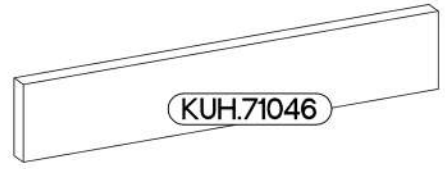
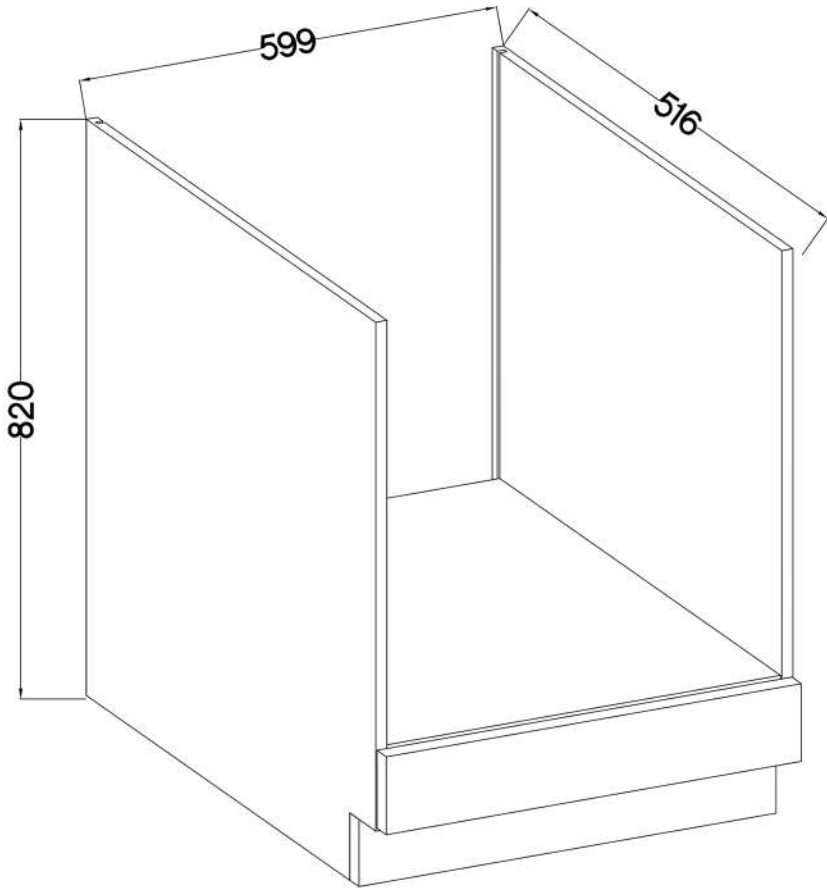
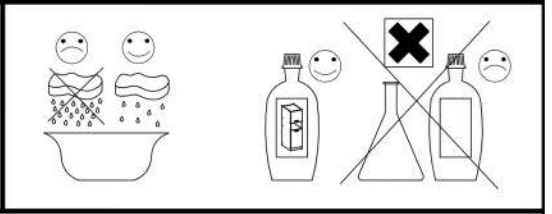
7

#3.0x20mm	
	P7
8-10	



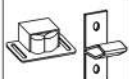


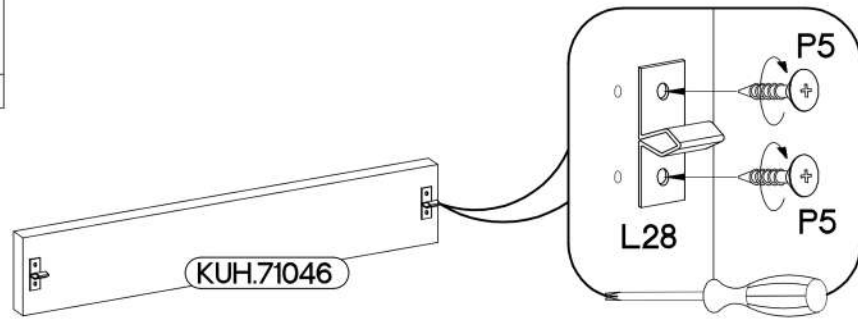
60 D GAZ BB



KUH.71046	110x596x16
-----------	------------

1

	$\pm 3.5 \times 13 \text{mm}$
L28	P5
2	4



2

