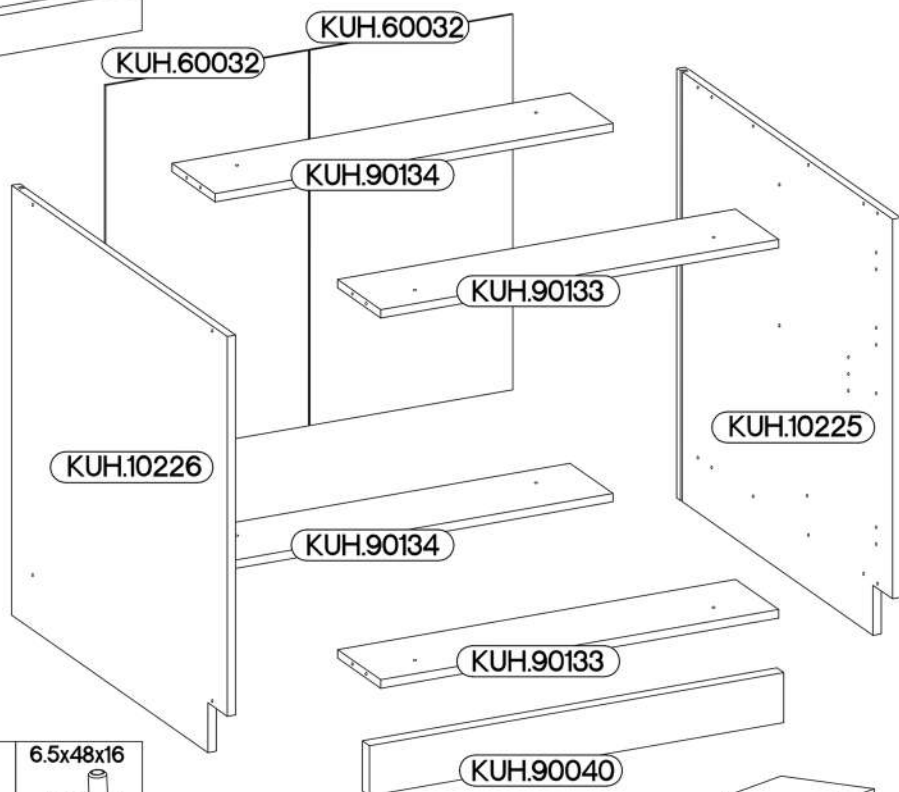
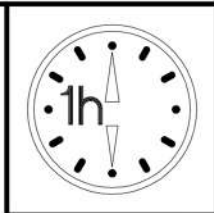
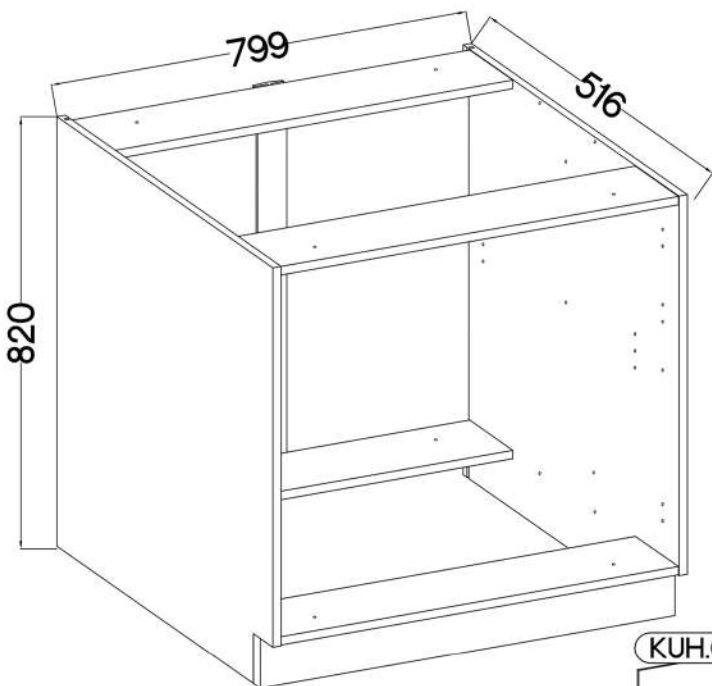
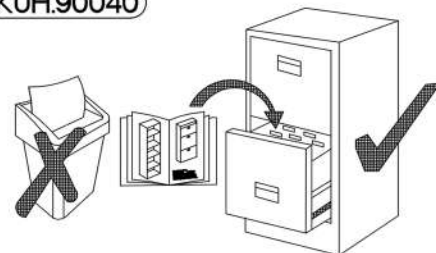


ARSANY 80 D 3S BB



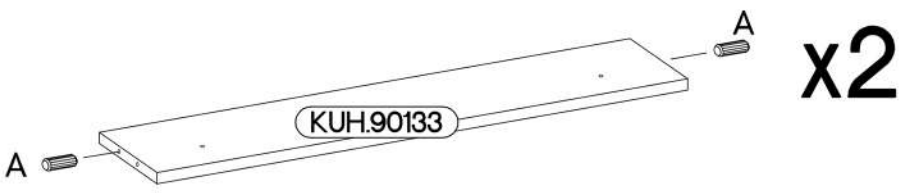
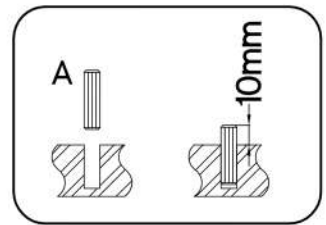
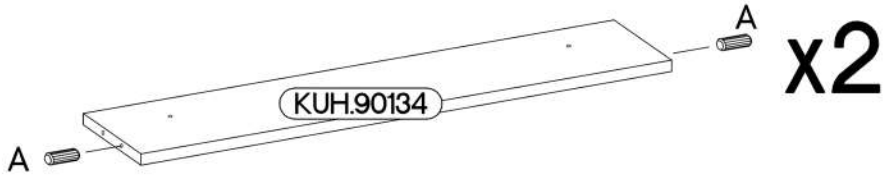
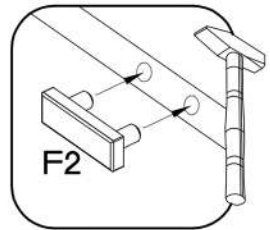
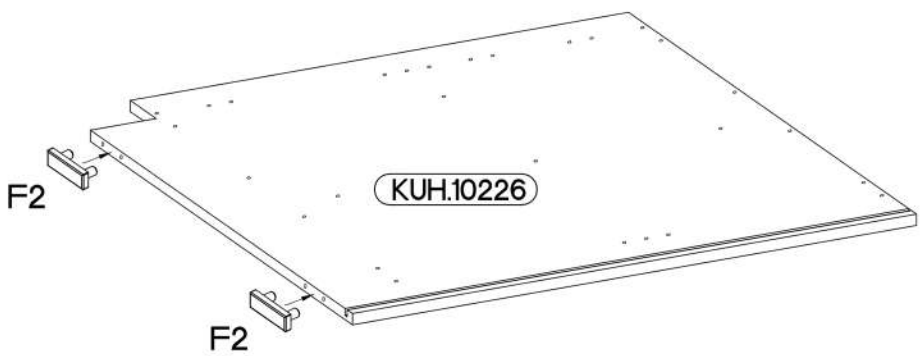
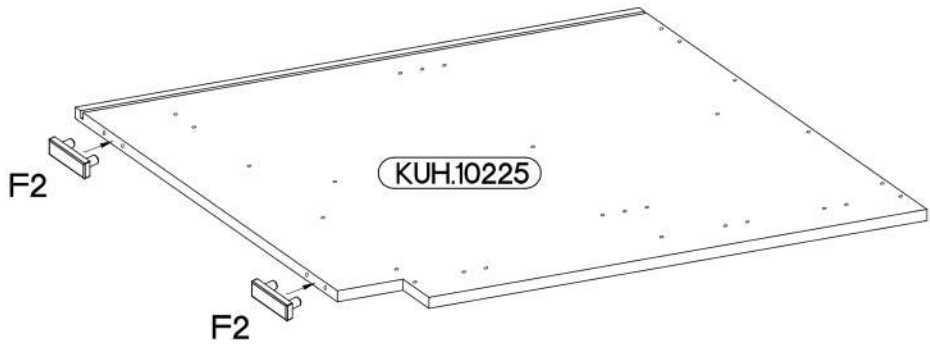
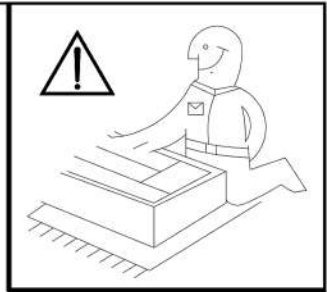
KUH.10225	815x500x16
KUH.10226	815x500x16
KUH.60032 x2	713x390x2,5
KUH.90133 x2	767x100x16
KUH.90134 x2	767x100x16
KUH.90040	799x95x16

+8x30mm A	6,4 x 50mm B	 E1	 E9	6.5x48x16 F2
8	8	8	2	4
L1=680mm L1	 O	+4.0x45mm P4	+3.0x20mm P7	+4.0x35mm R3
1	1	2	10-15	4






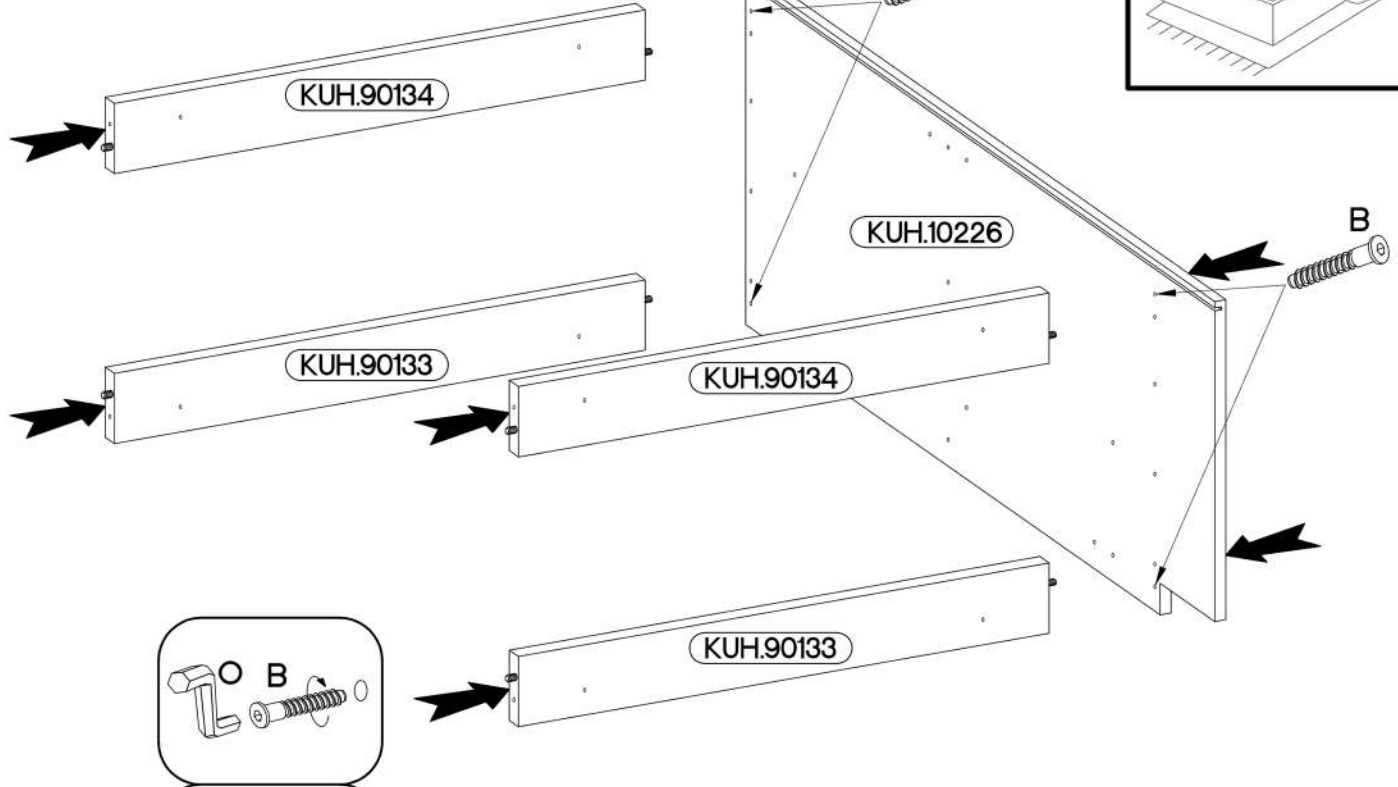
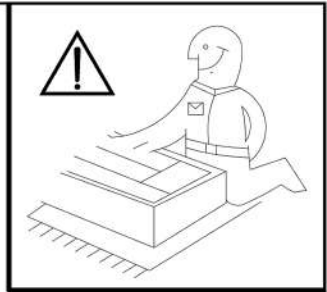
1

6.5x48x16 F2 4	+8x30mm A 8
----------------------	-------------------

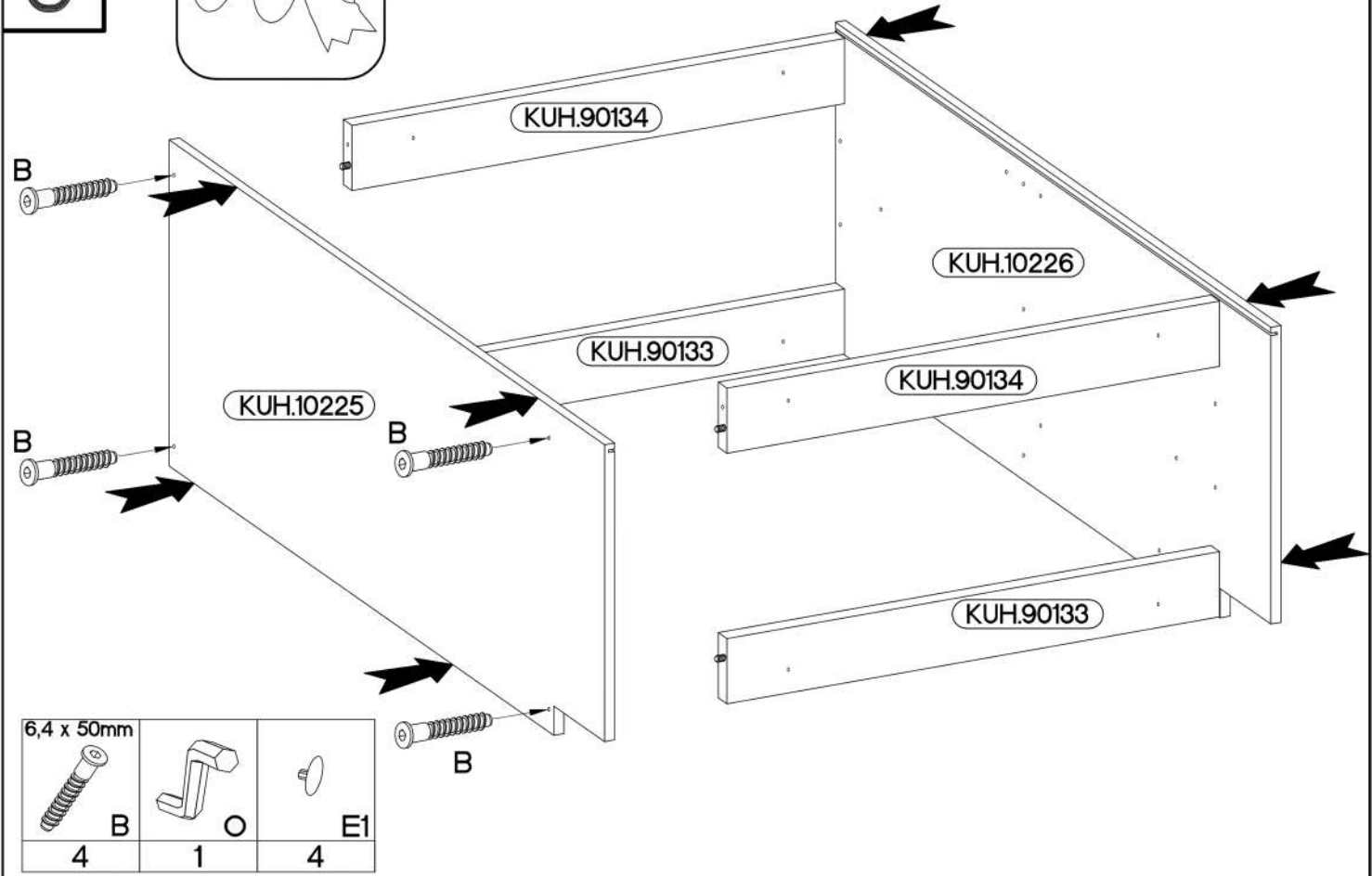
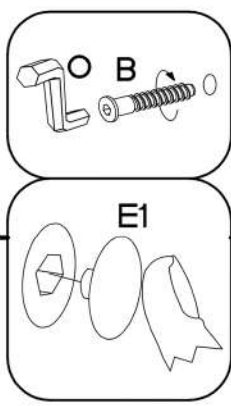





2

6,4 x 50mm		
		
B	O	E1
4	1	4

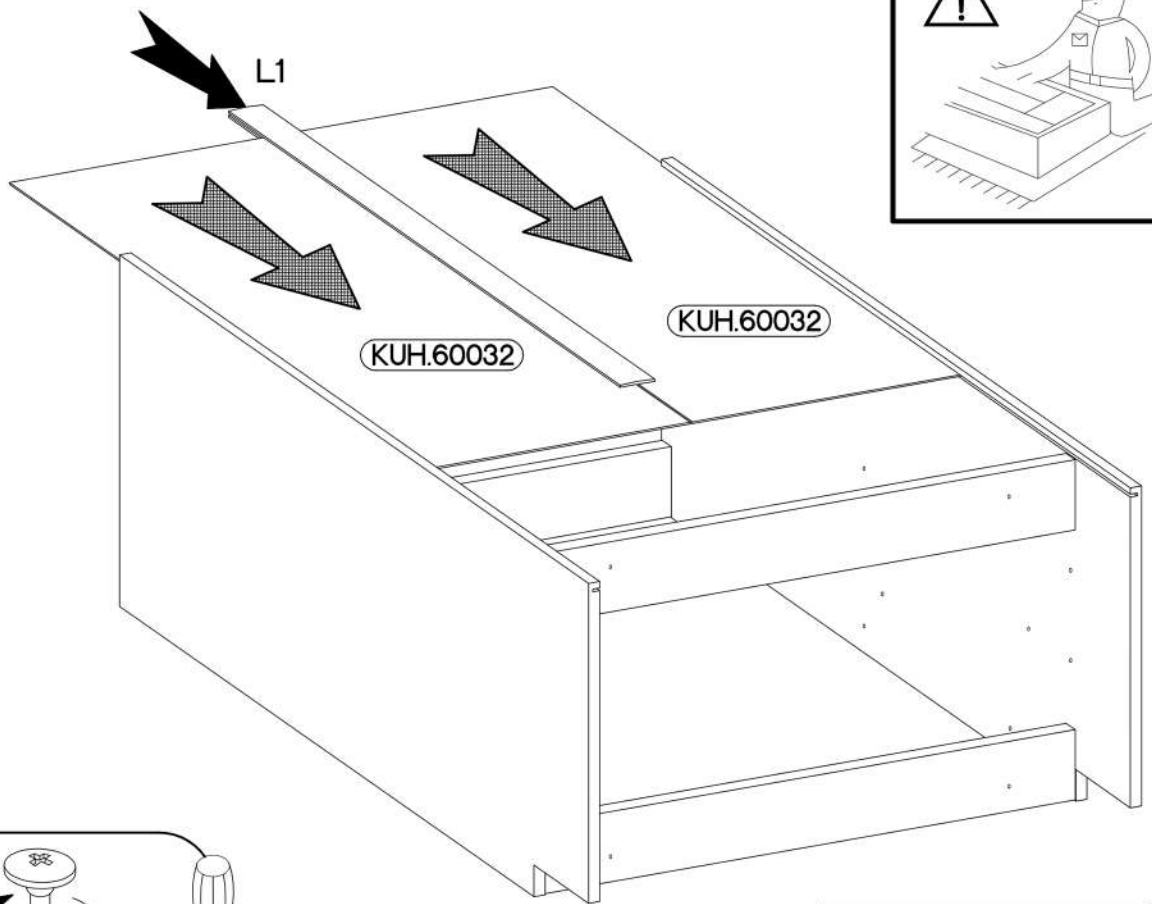
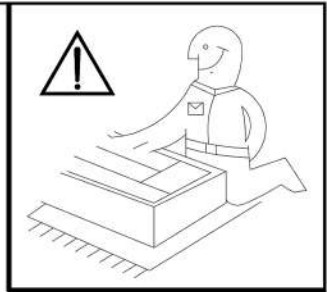
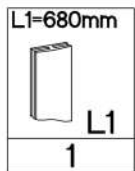


3

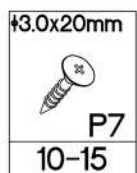
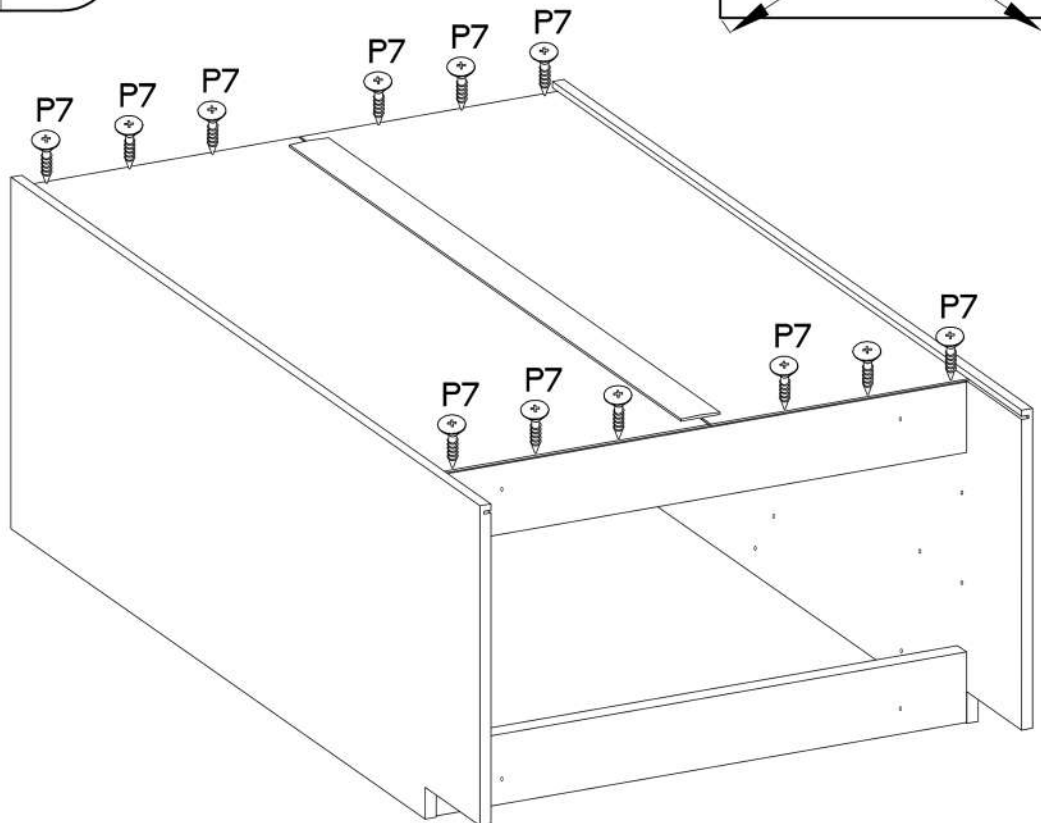
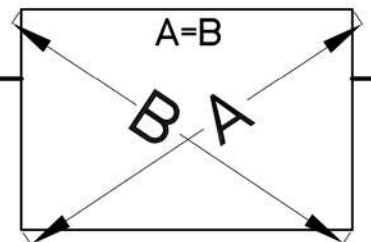
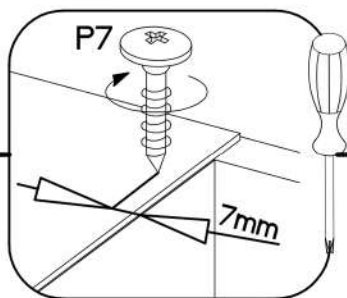


6,4 x 50mm		
		
B	O	E1
4	1	4



4

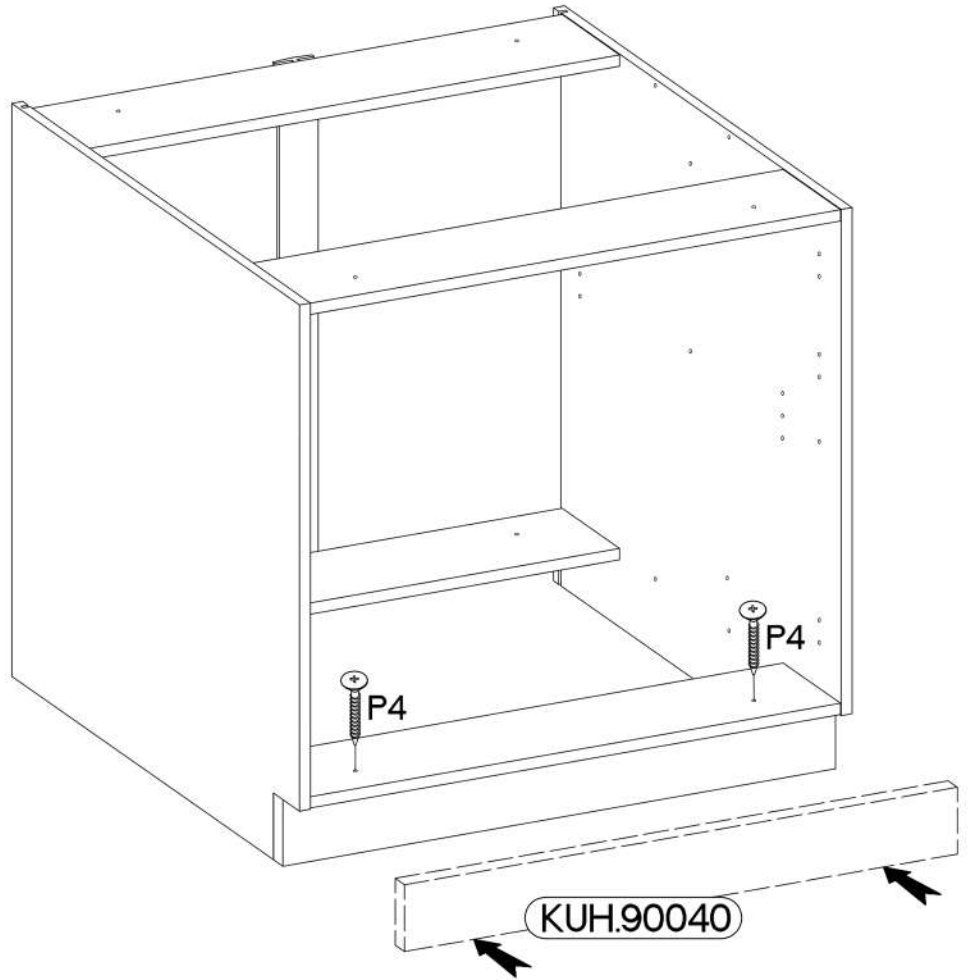
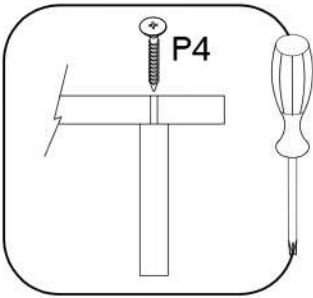


5



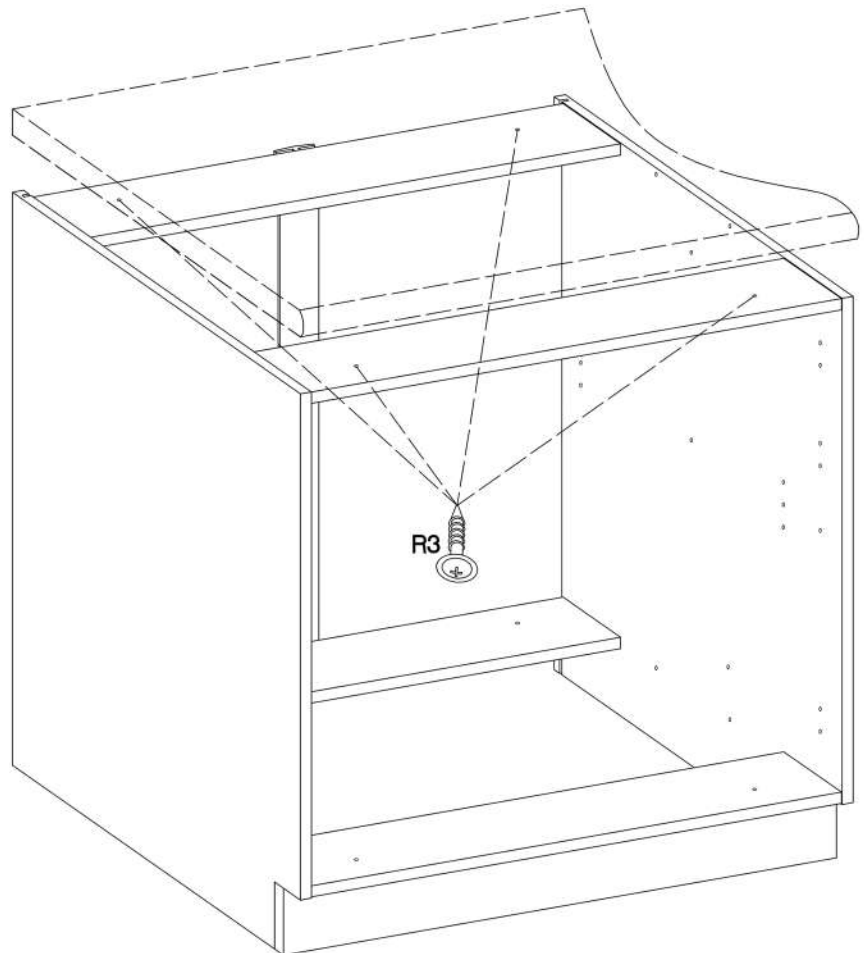
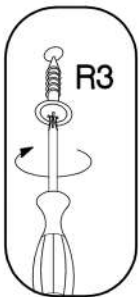
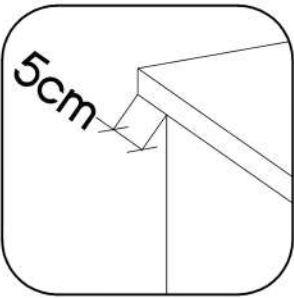
6

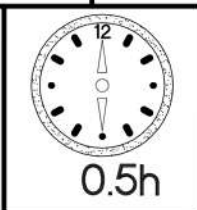
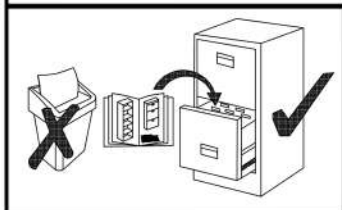
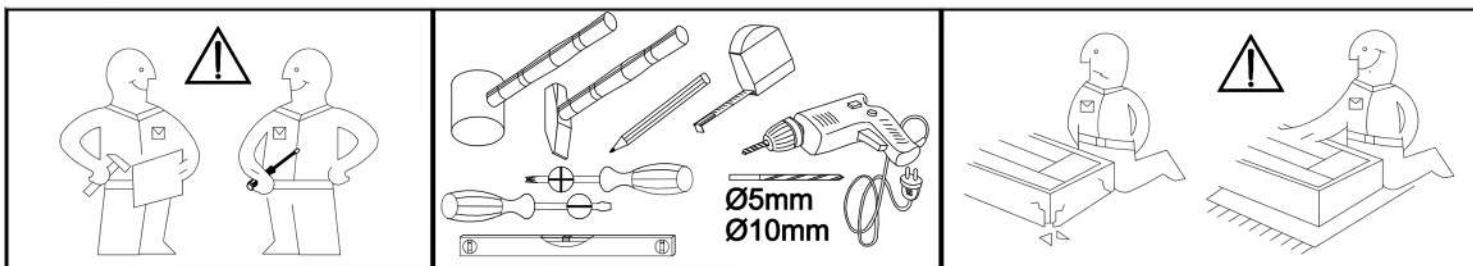
4.0x45mm		
P4		E9
2		2



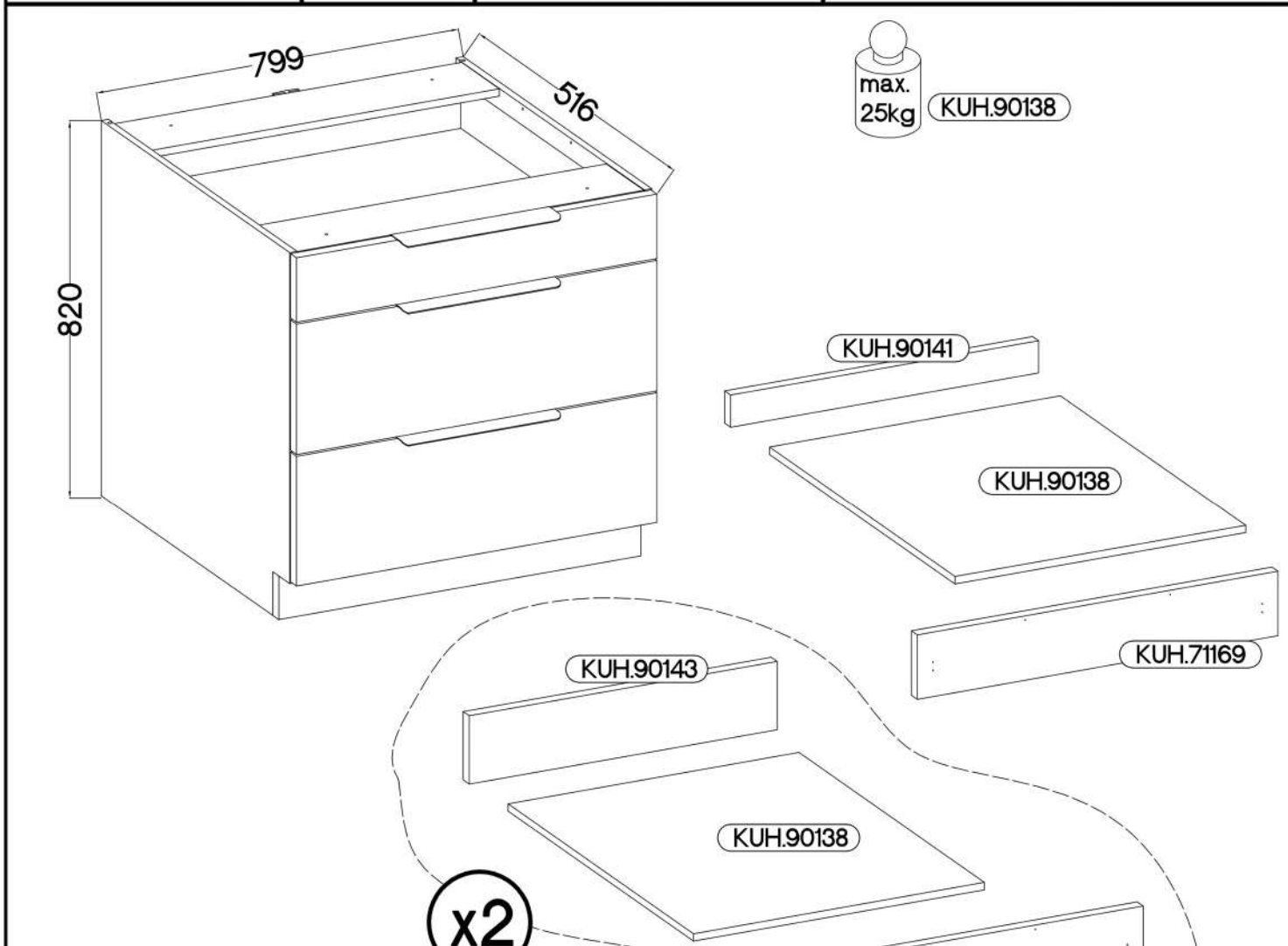
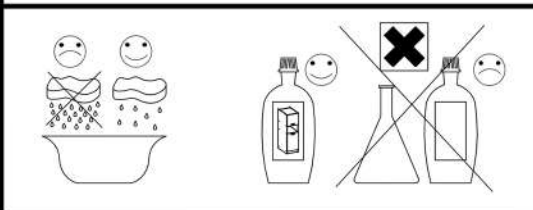
7

4.0x35mm	
R3	
4	





80 D 3S BB

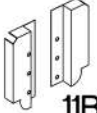










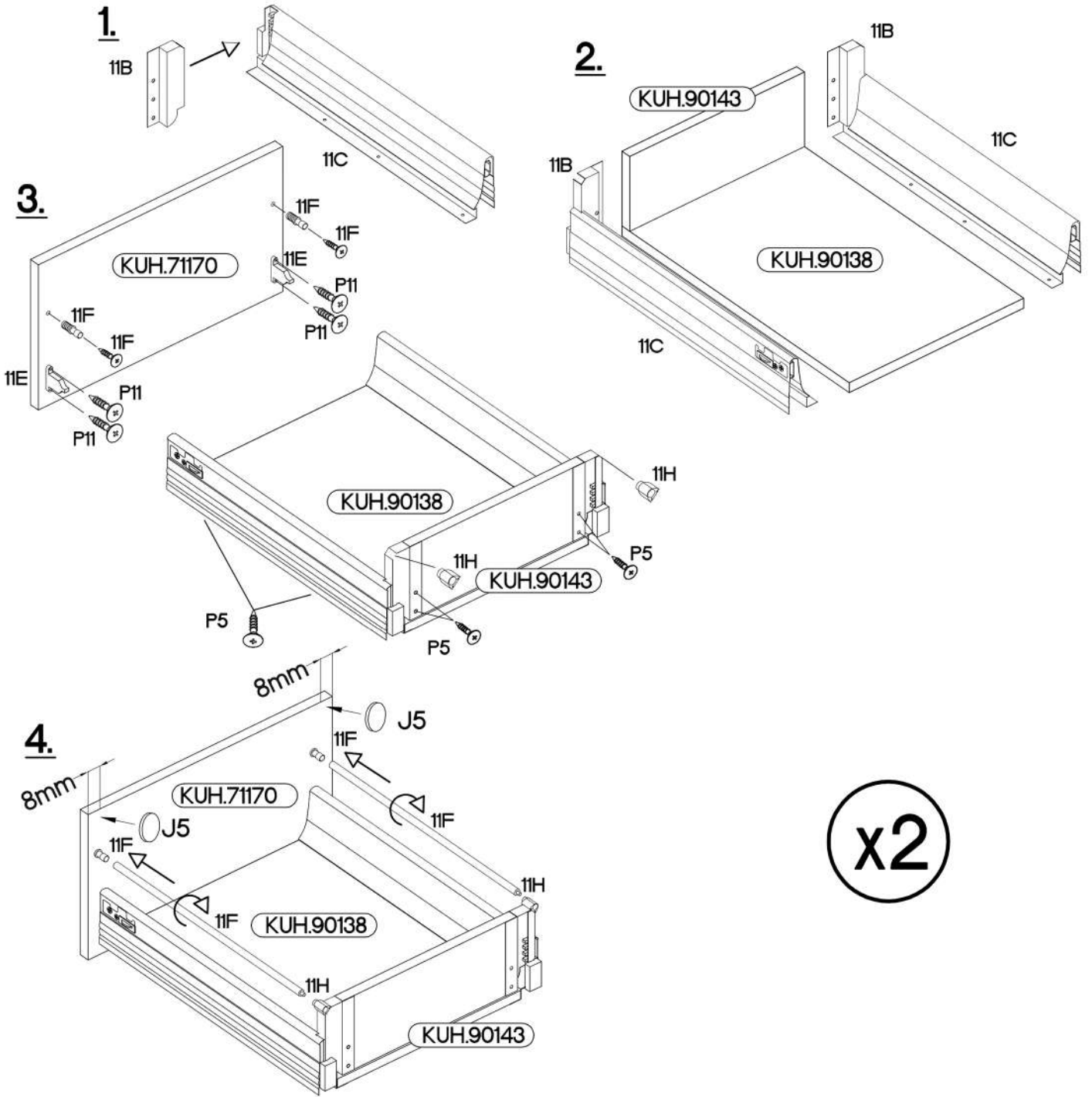
L=320mm	+7/2mm
S	J5
3	6

11A	11B	11C	11D	11E		
3	2	3	1	6		
11F	11G	11H	M3	P1	P5	P11
4	6	4	12	12	24	12

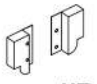






KUH.71169	140x796x16
KUH.71170 x2	283x796x16
KUH.90138 x3	442x692x16
KUH.90141	680x70x16
KUH.90143 x2	680x148x16

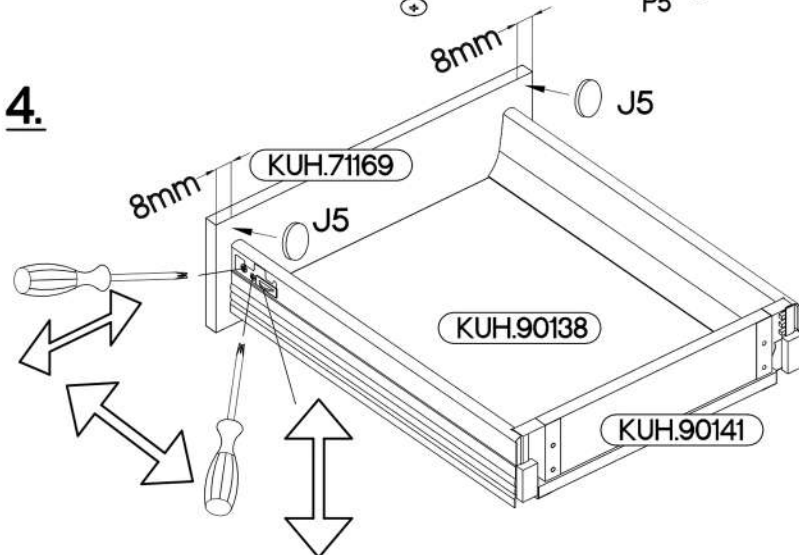
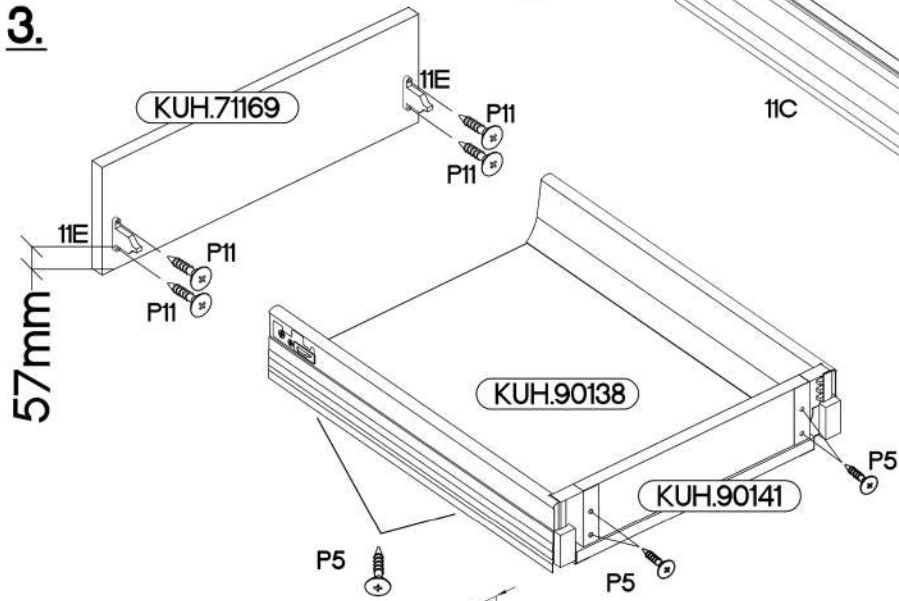
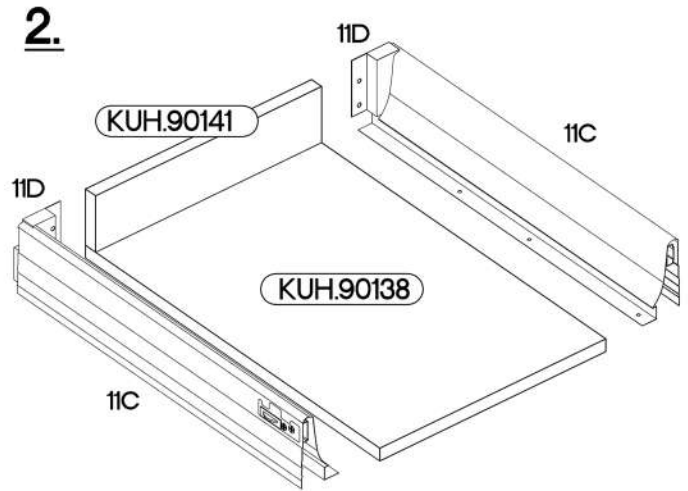
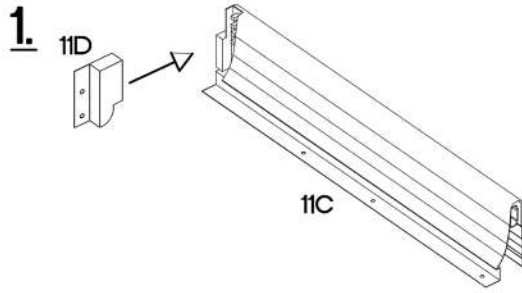
1

 11B	 11C	 11E	 11F	 11H	 P11	 P5	 11G	 J5
2	2	4	4	4	8	16	4	4






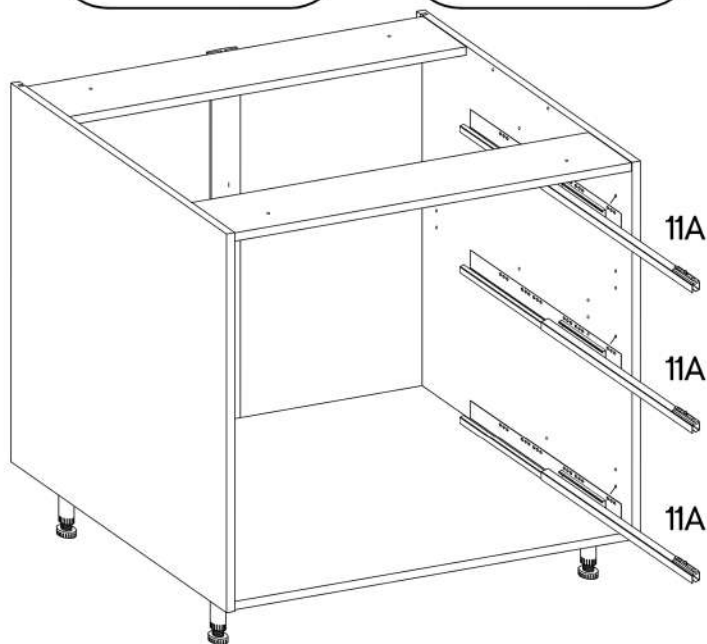
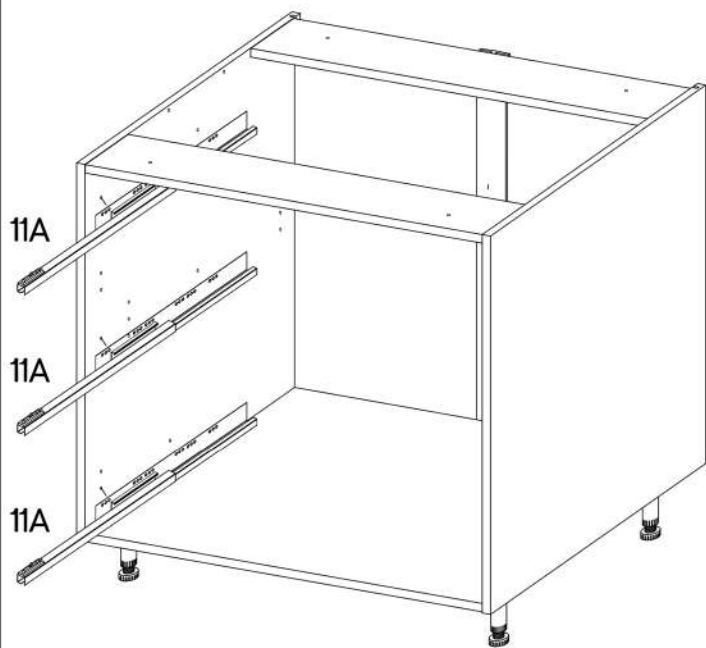
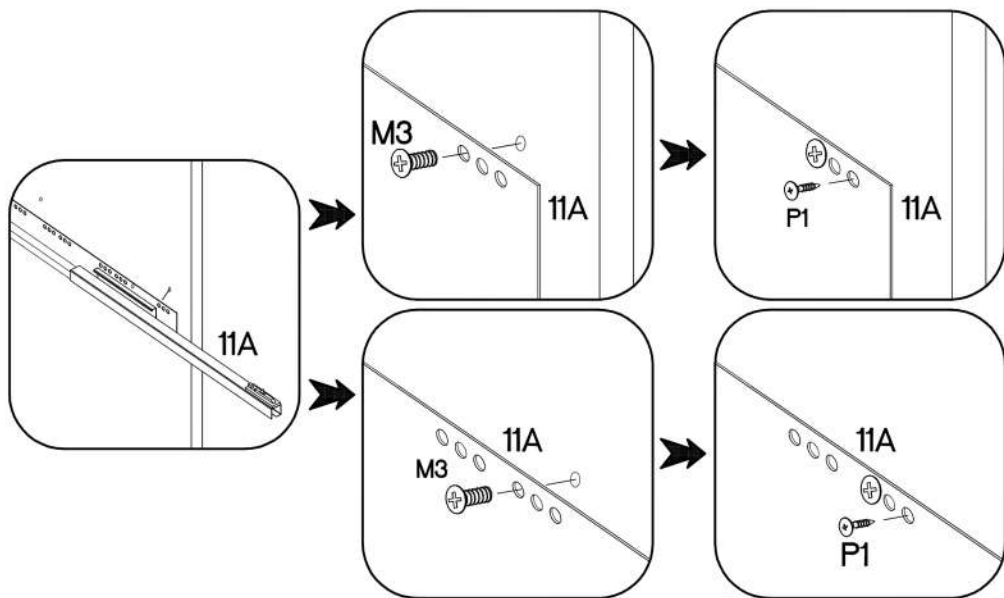
2

 11D	 11C	 11E	 P11 +3.0x16mm	 P5 +3.5x13mm	 11G	 J5 +7/2mm
1	1	2	4	8	2	2




3

 11A 3	 M3 12	 P1 12
--	---	---



4

 L=320mm S 3
--

