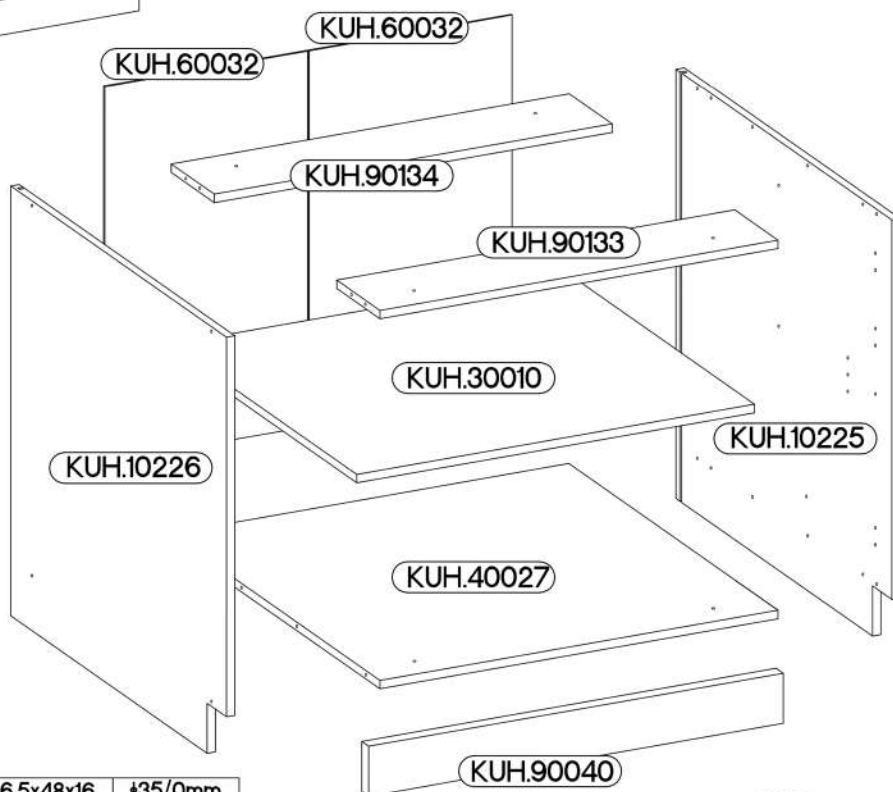
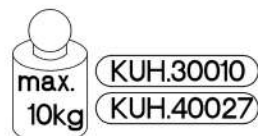
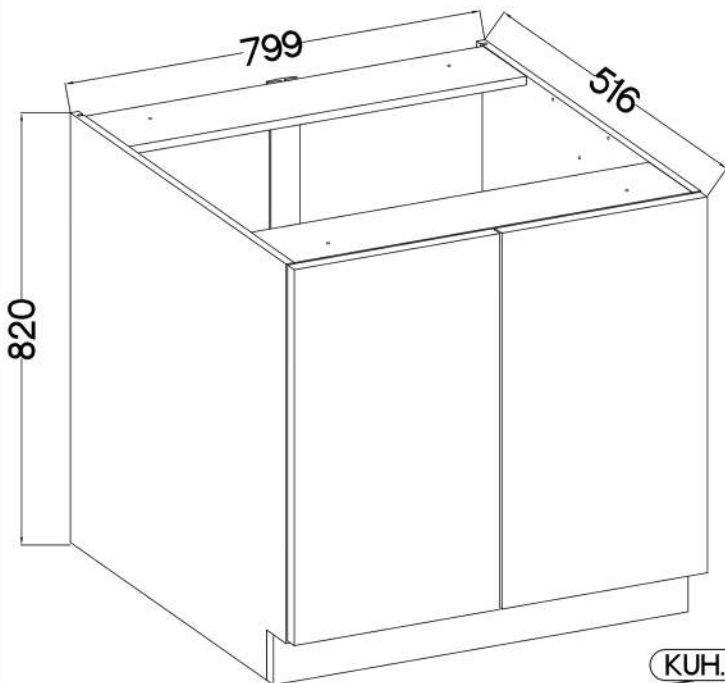













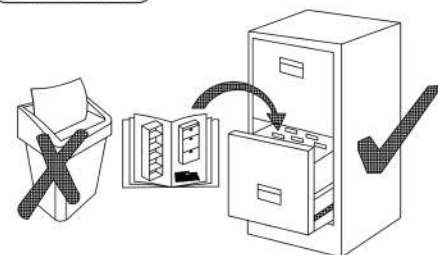


# ARSANY 80 D 2F BB



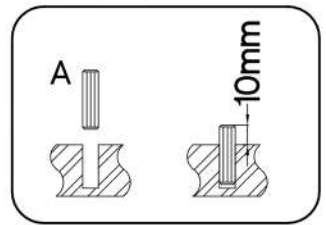
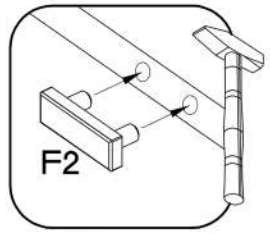
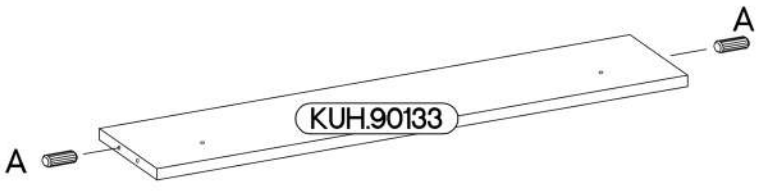
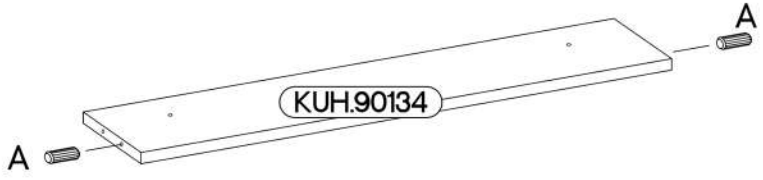
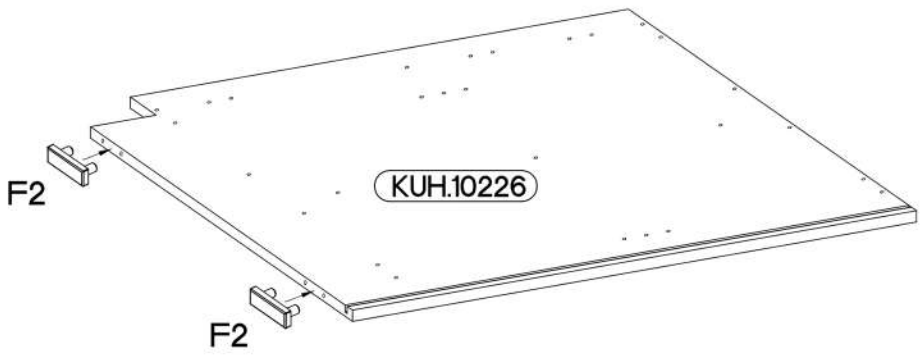
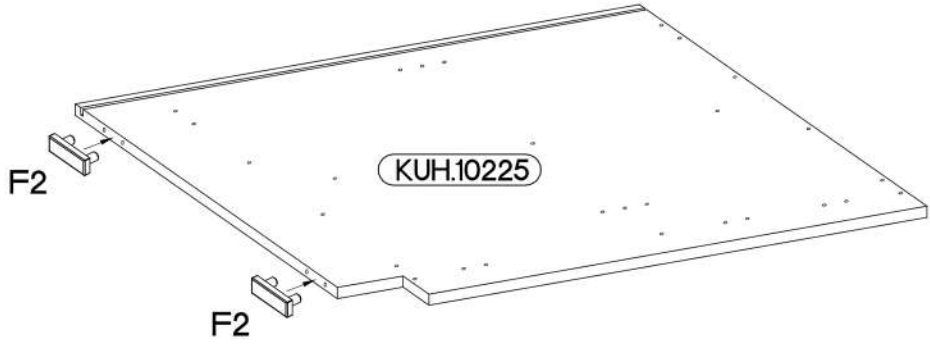
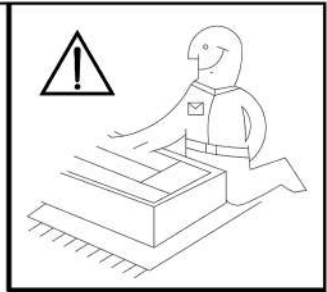
KUH.10225	815x500x16
KUH.10226	815x500x16
KUH.30010	766x430x16
KUH.40027	767x485x16
KUH.60032 x2	713x391x2,5
KUH.90133	767x100x16
KUH.90134	767x100x16
KUH.90040	799x95x16

 A	 B	 E1	 E9	 F2	 HG	
8	8	8	2	4	4	
 J	 L1	 O	 P4	 P5	 P7	 R3
4	1	1	2	8	10-15	4



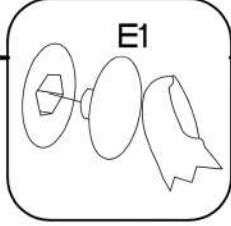
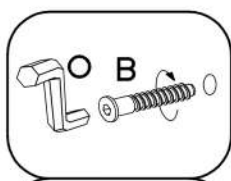
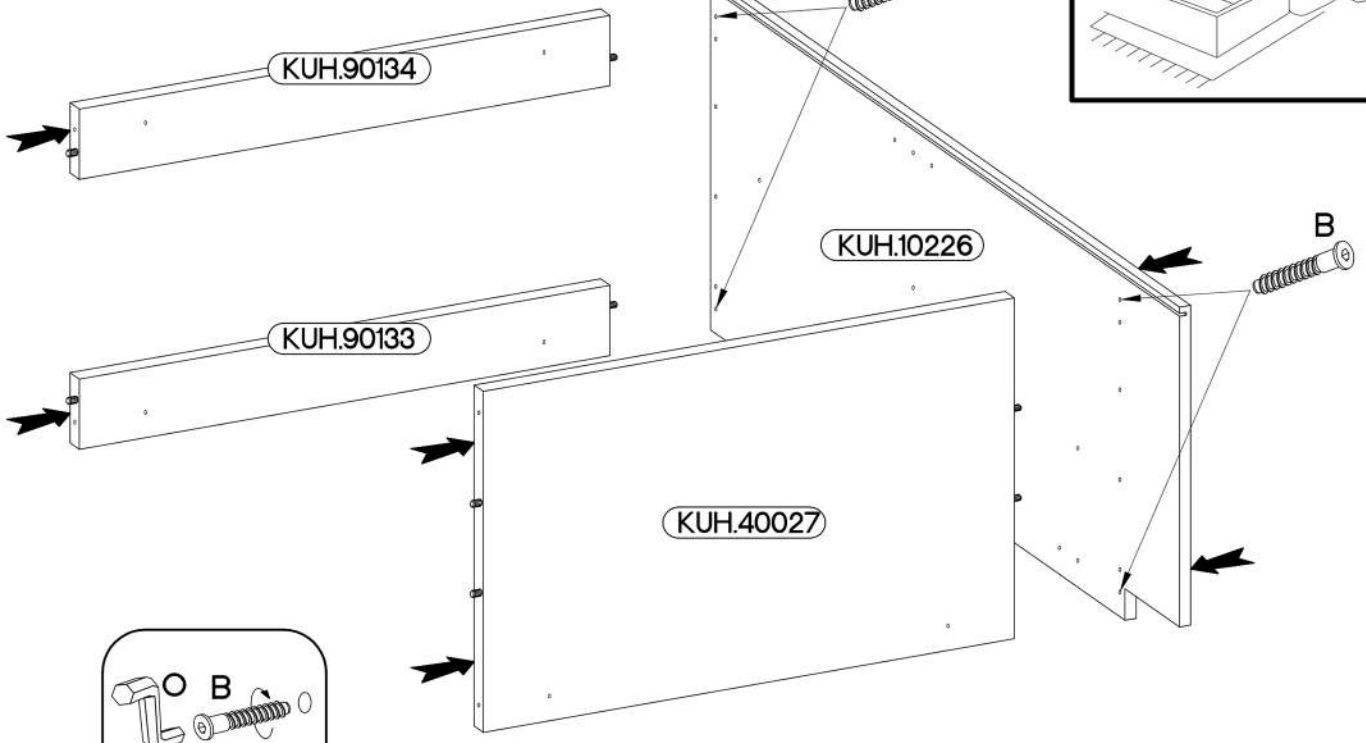
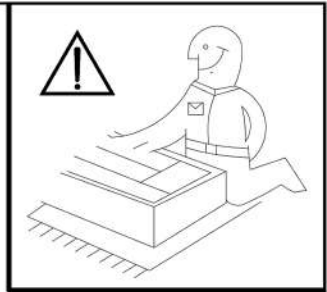
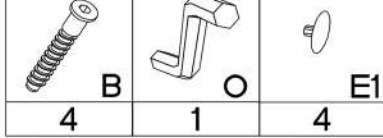
1

6.5x48x16 F2 4	+8x30mm A 8
----------------------	-------------------

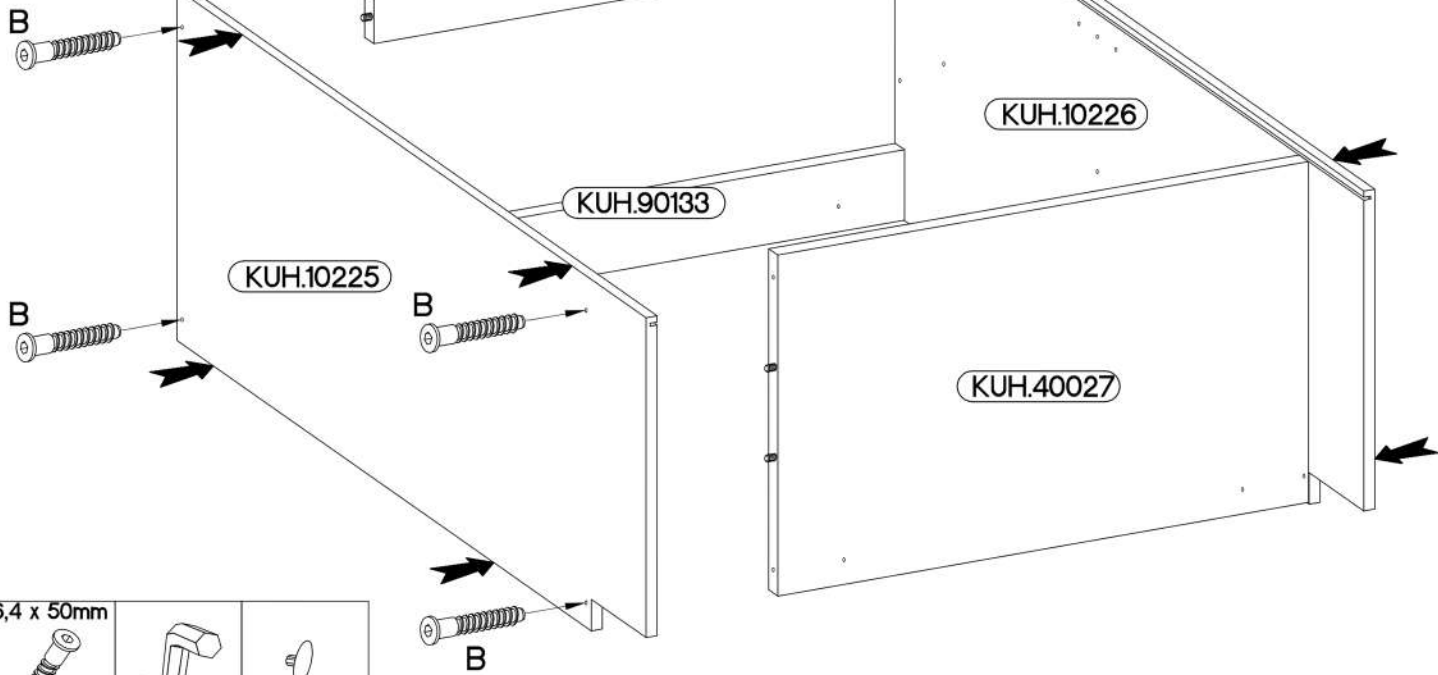


# 2

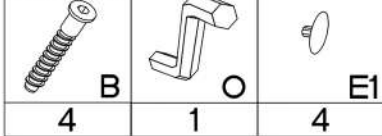
6,4 x 50mm



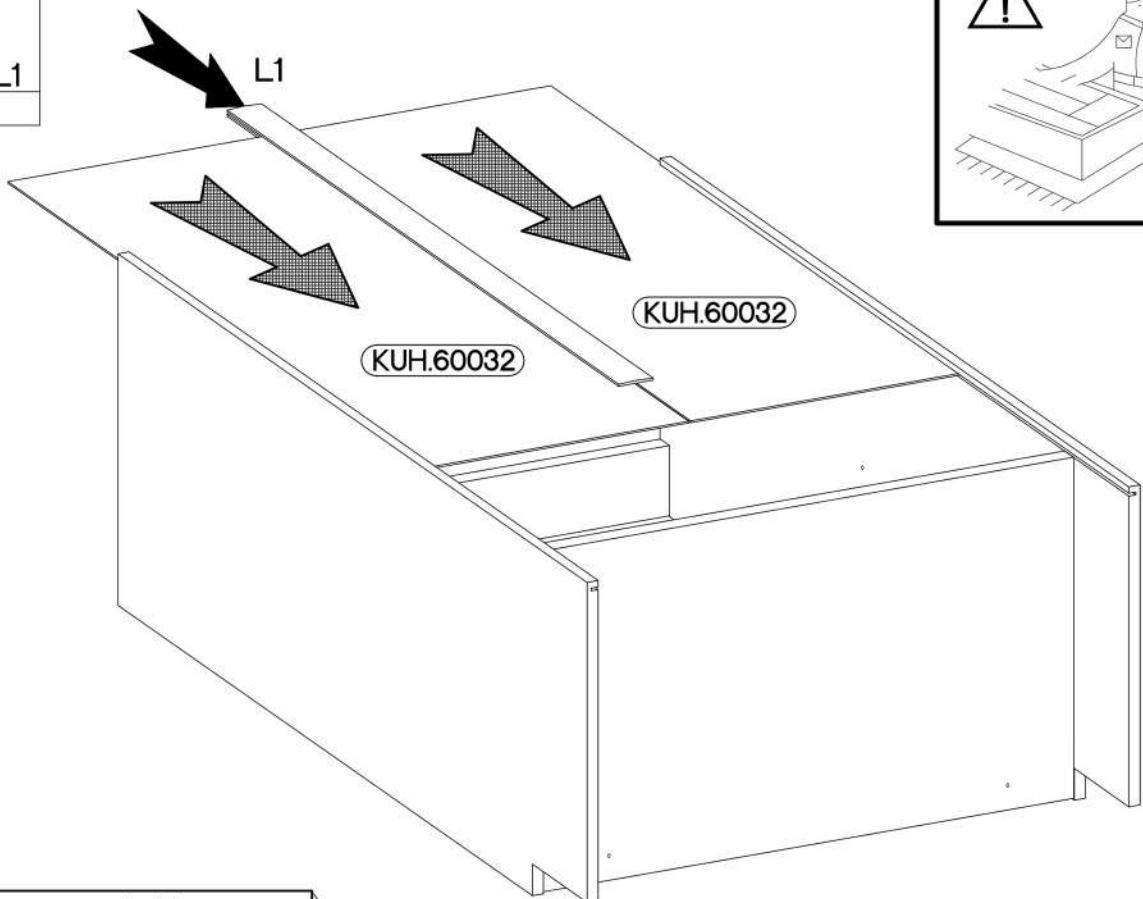
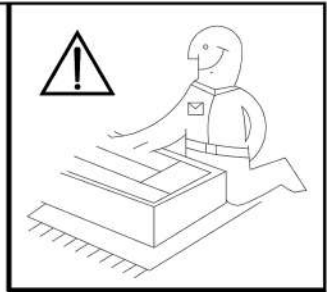
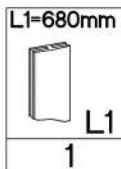
# 3



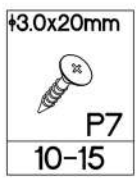
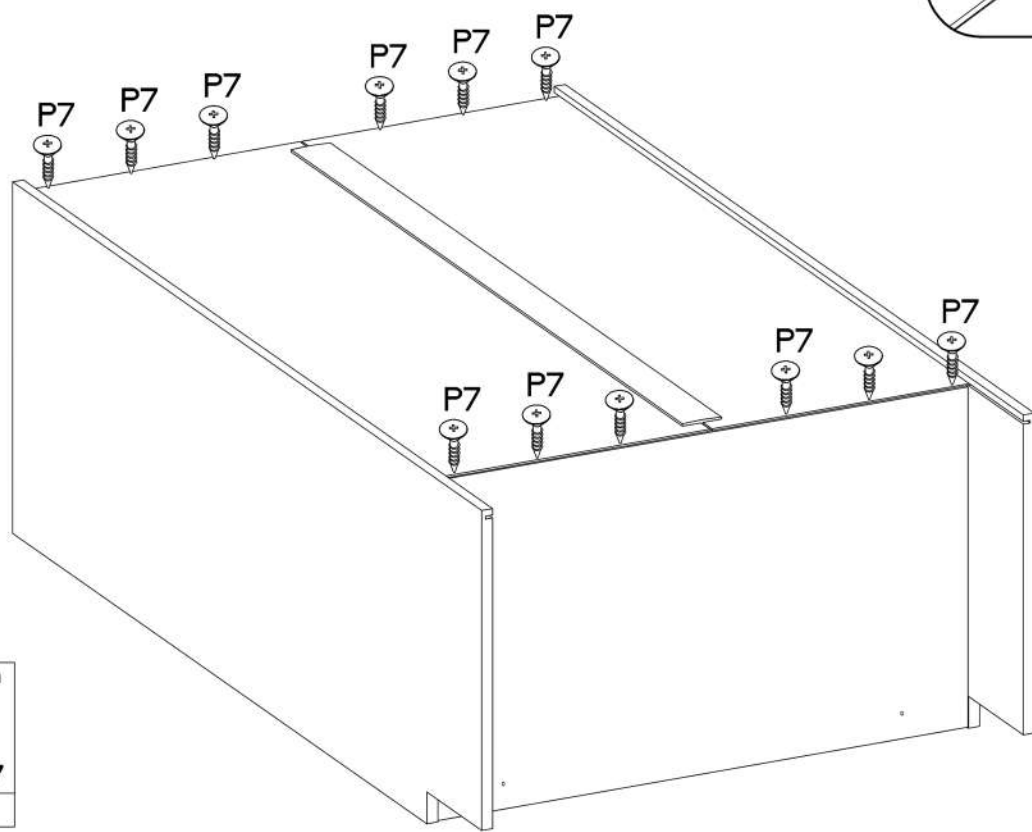
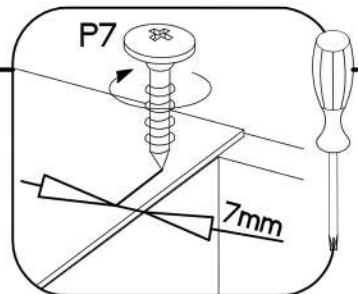
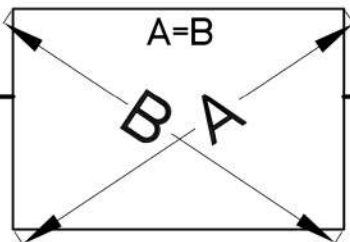
6,4 x 50mm




4

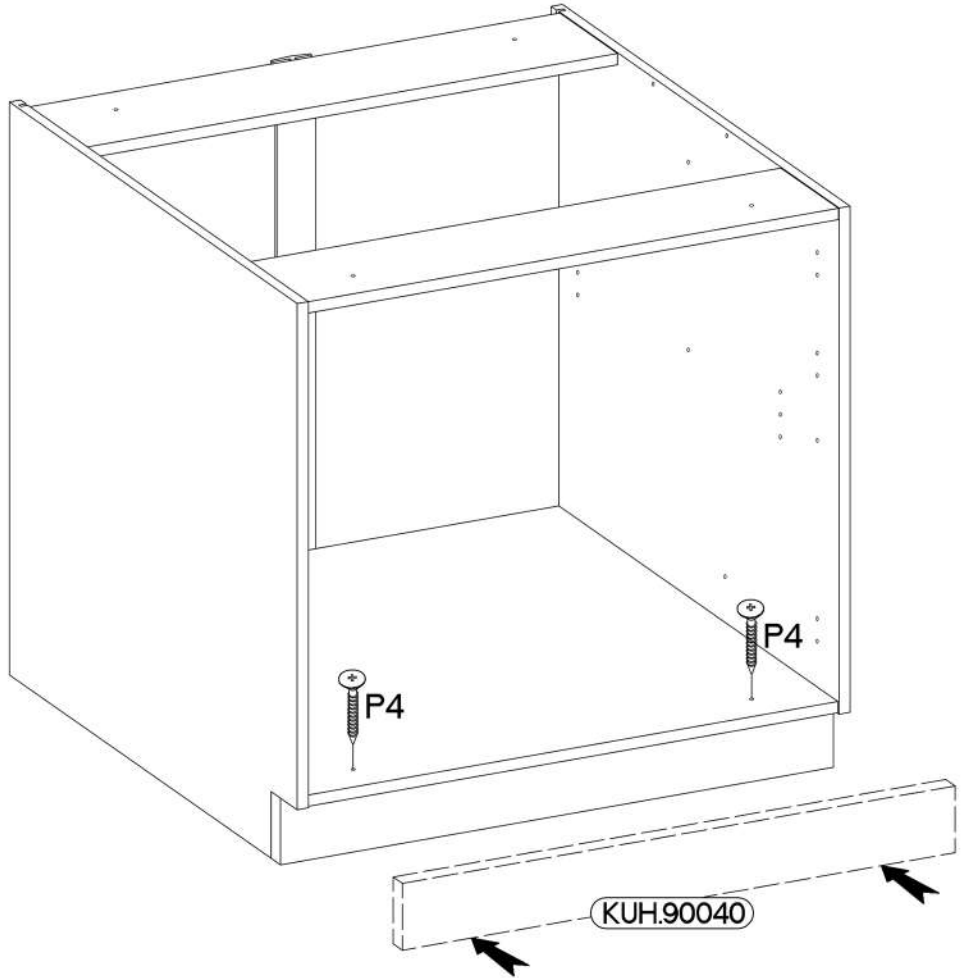
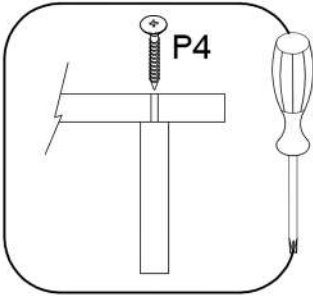


5




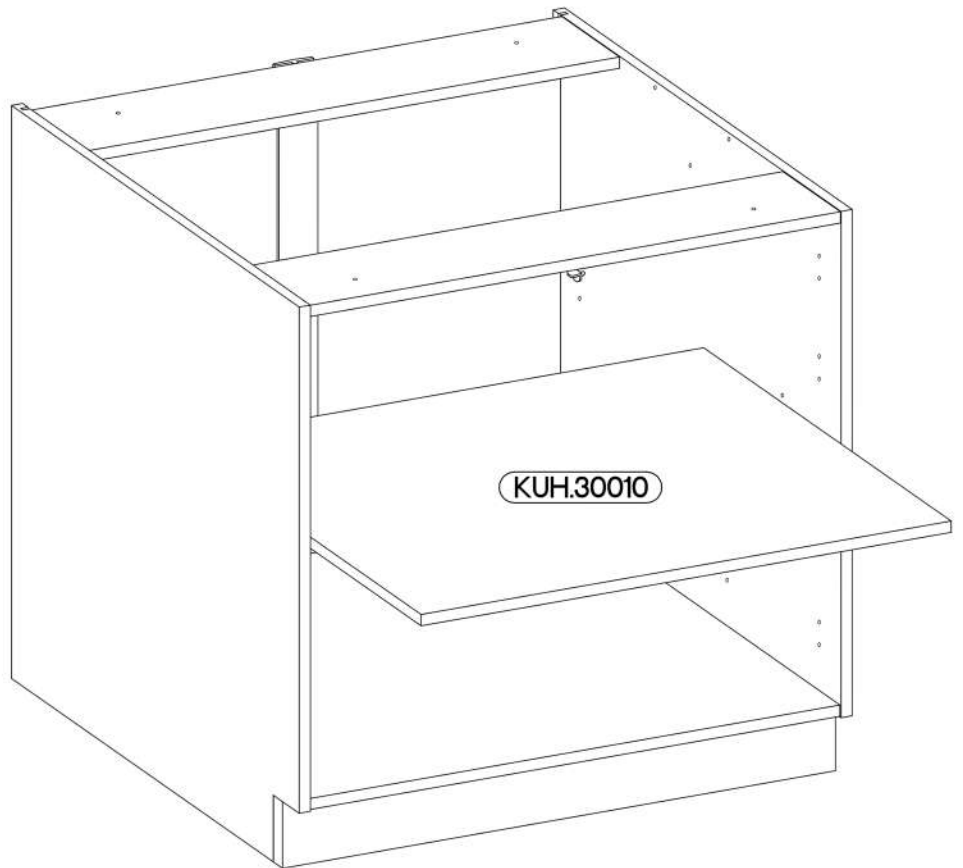
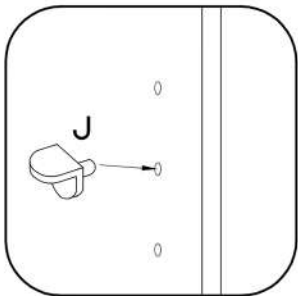
6

†4.0x45mm	
P4	E9
2	2

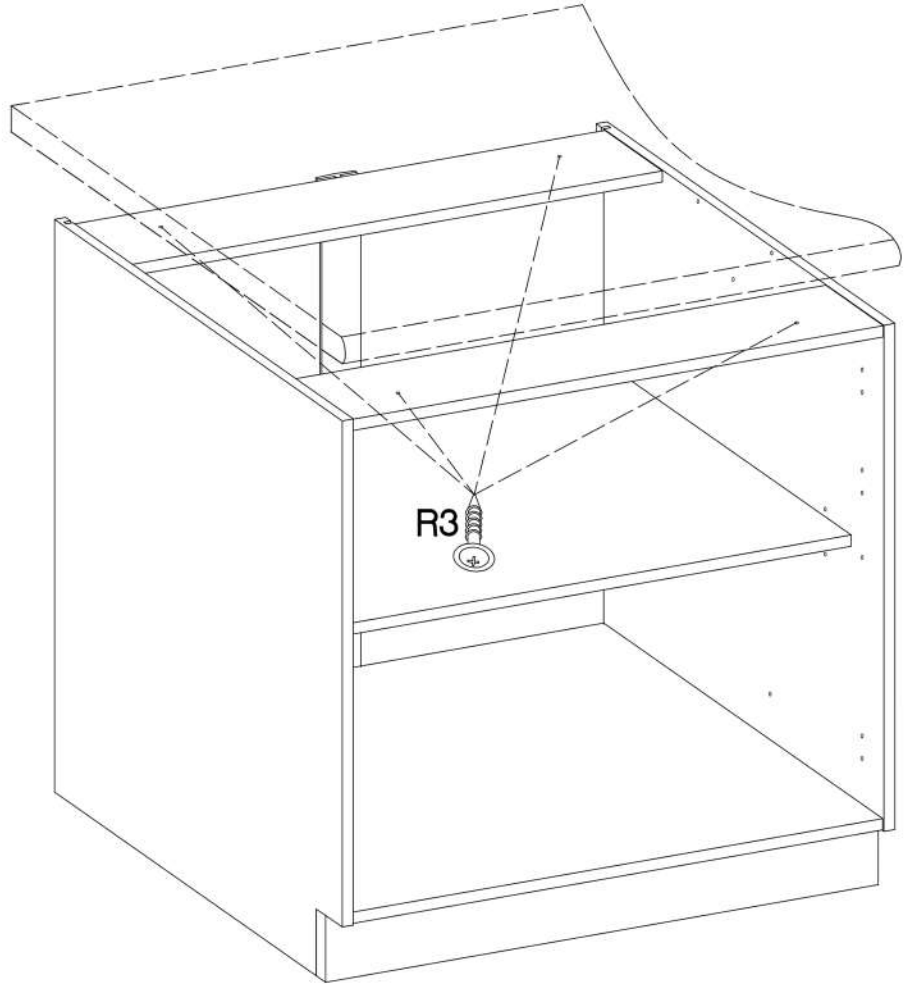
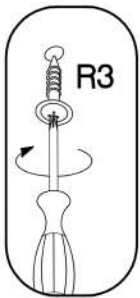
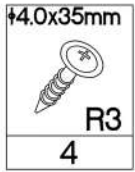


7

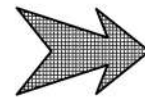
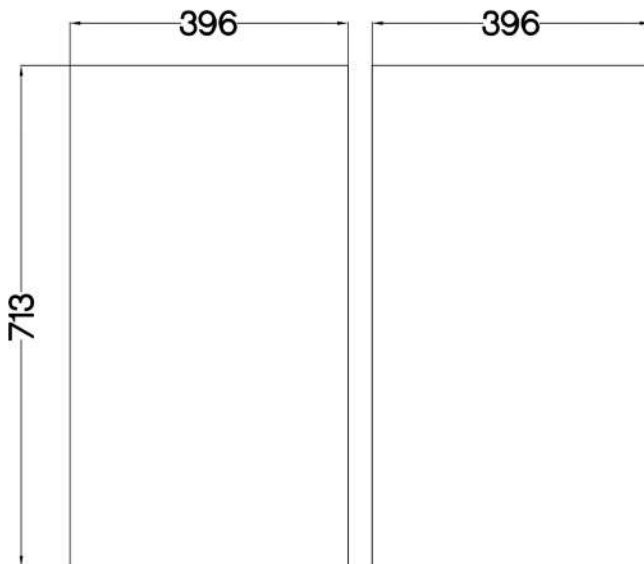
†5/19mm	
J	
4	

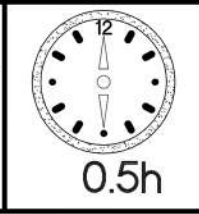
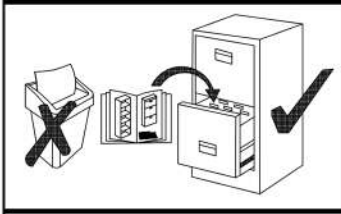
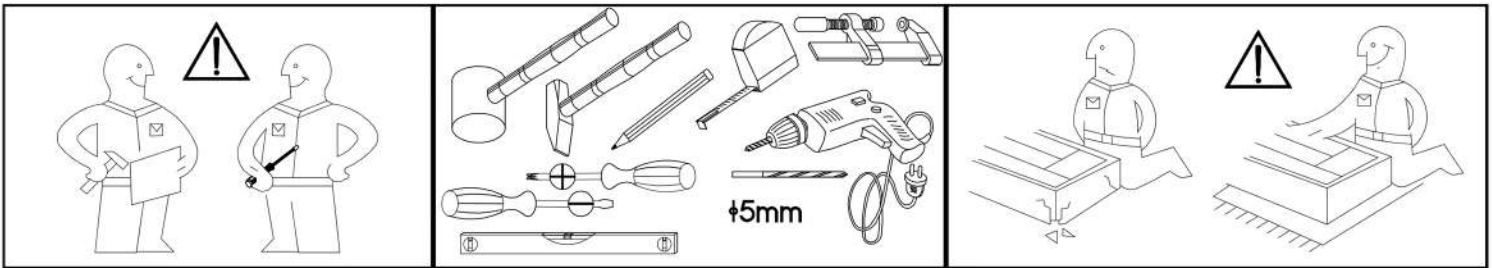


8

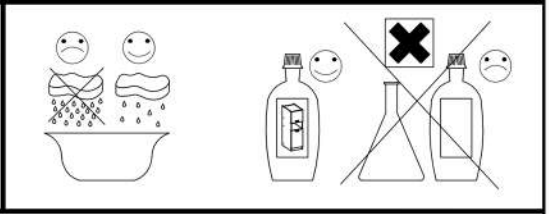


9

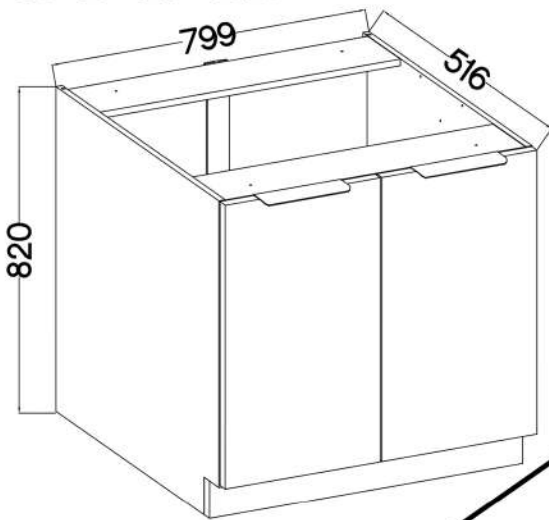




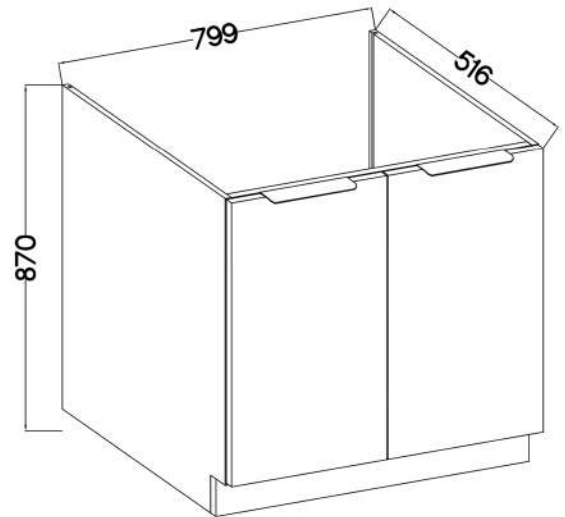
**713x396**



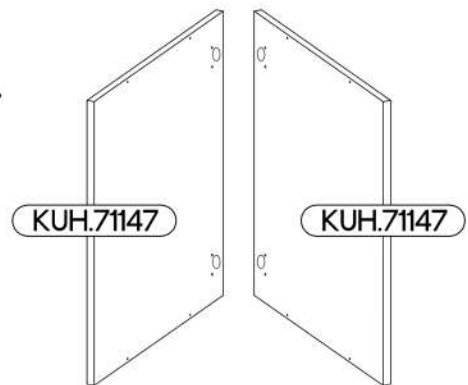
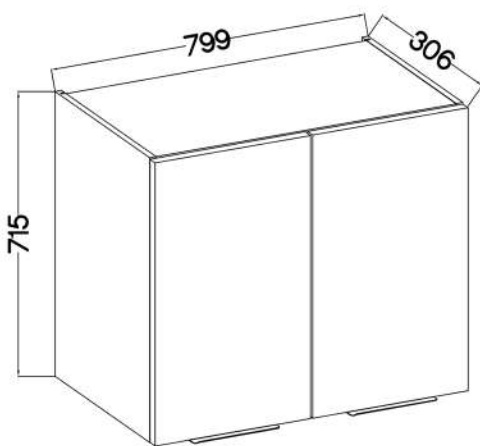
**80 D 2F BB**



**80 ZL 2F BB**



**80 G-72 2F**

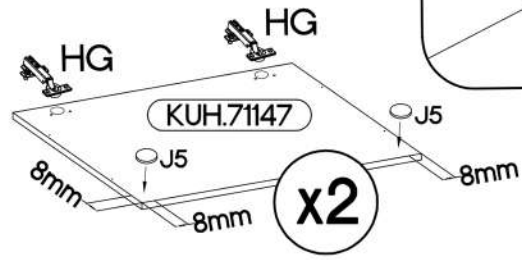
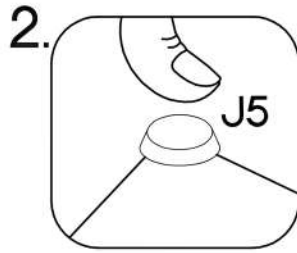
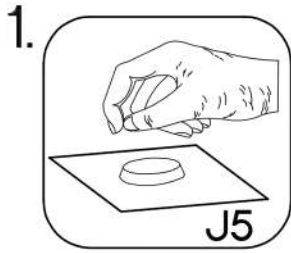
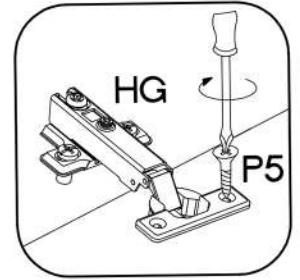


L=192mm	±7/2mm
S	J5
2	4

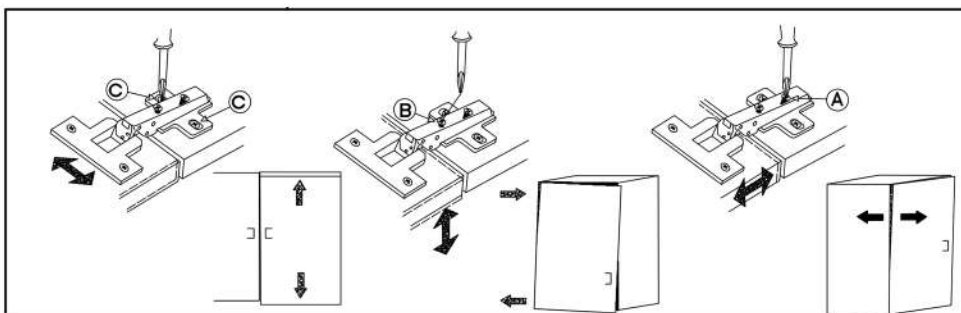
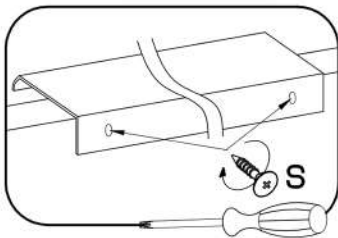
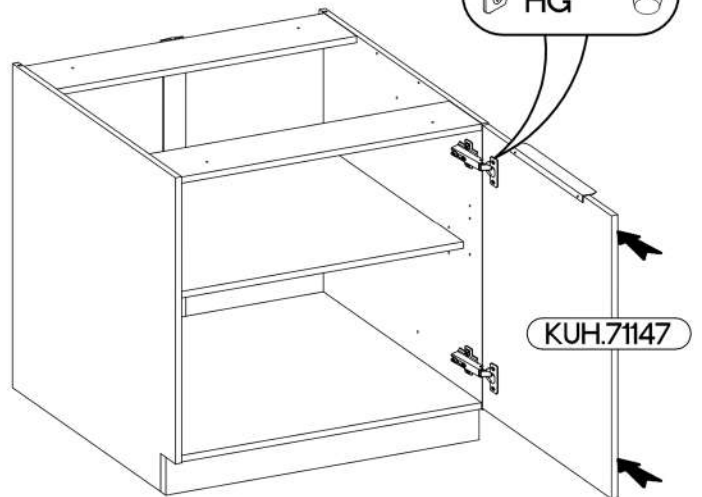
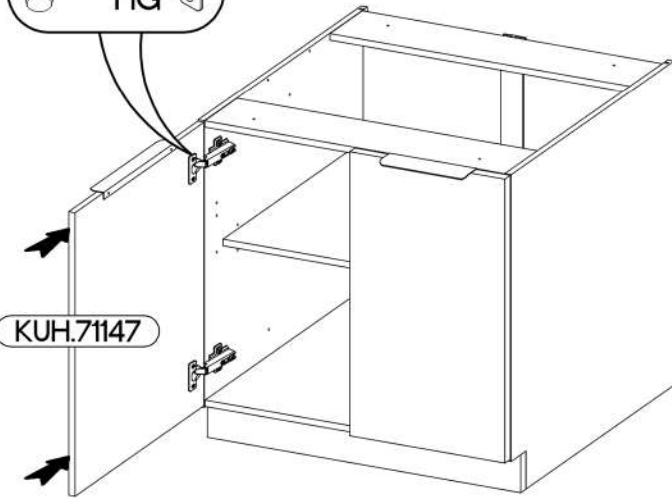
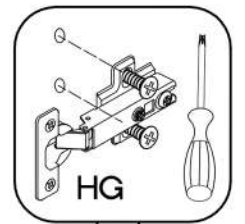
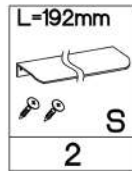
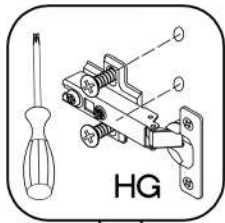
KUH.71147 x2    713x396x16

# 1 80 D 2F BB

±35/0mm [CD] HG 4	±3.5x13mm P5 8	±7/2mm J5 4
-------------------------	----------------------	-------------------

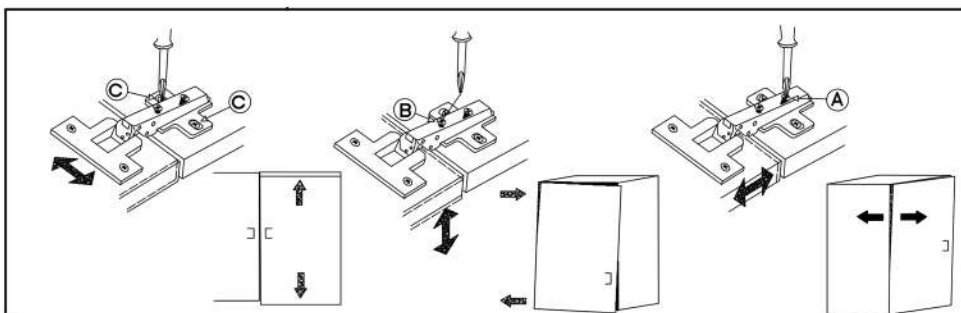
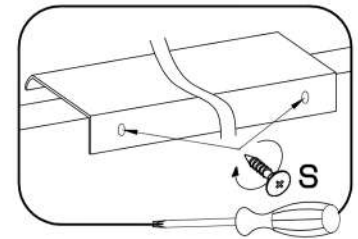
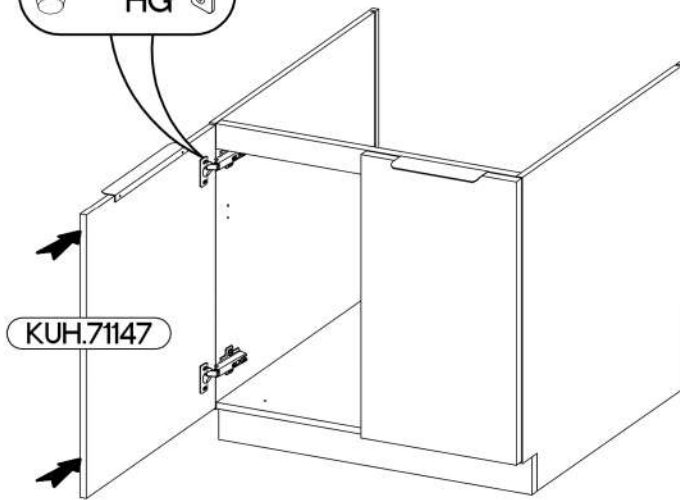
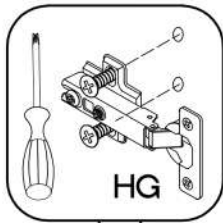
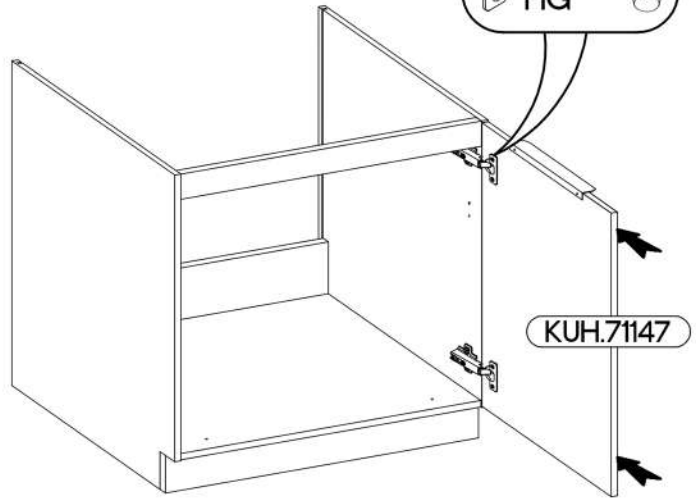
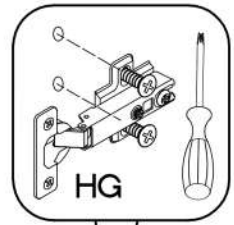


# 2



3

80 ZL 2F BB



# 4 80 G-72 2F

L=192mm  
S  
2

