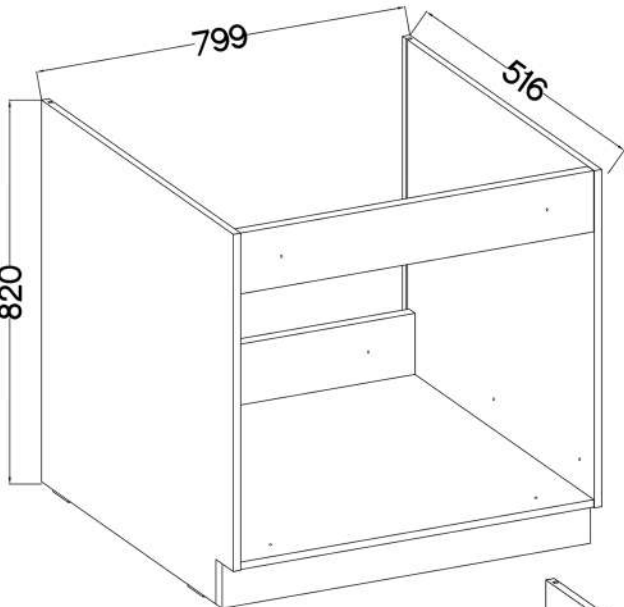
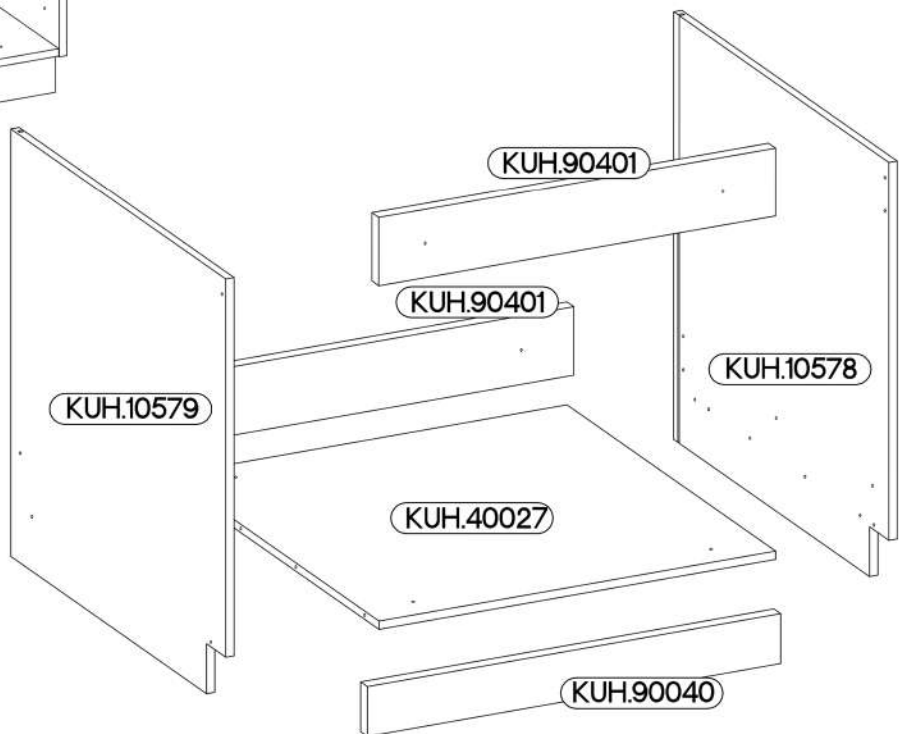


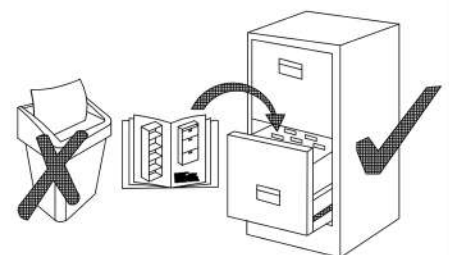
ARSANY 80 ZL 1S BB





KUH.10578	815x500x16
KUH.10579	815x500x16
KUH.40027	767x485x16
KUH.90040	799x95x16
KUH.90401 x2	767x130x16

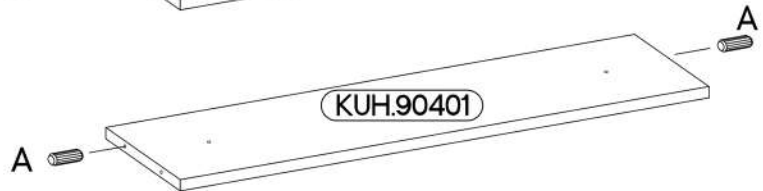
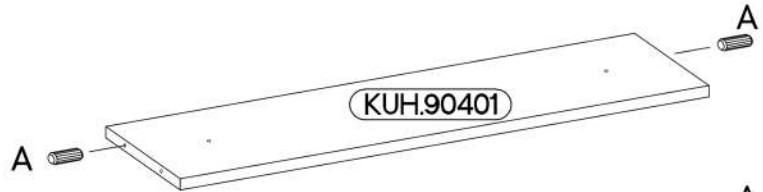
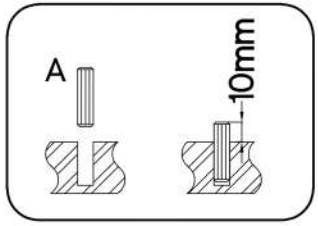
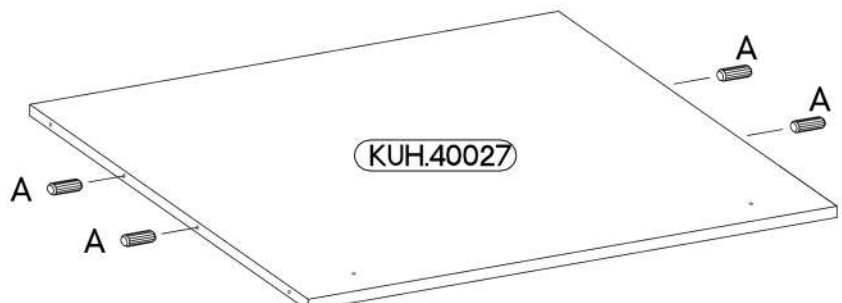
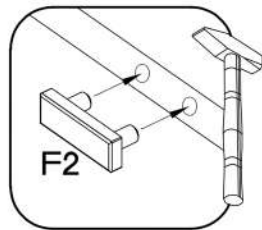
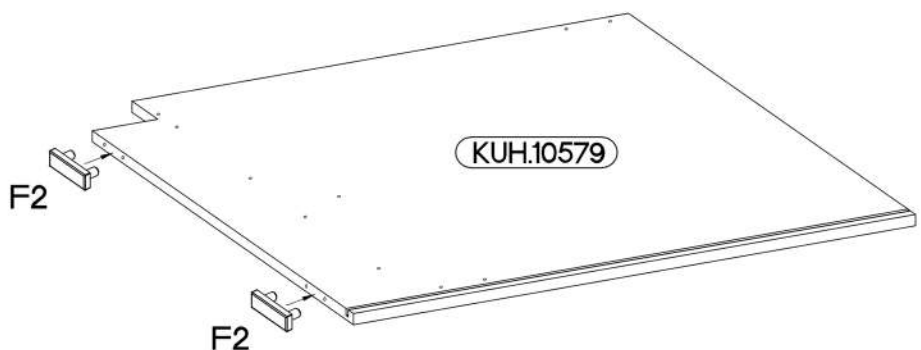
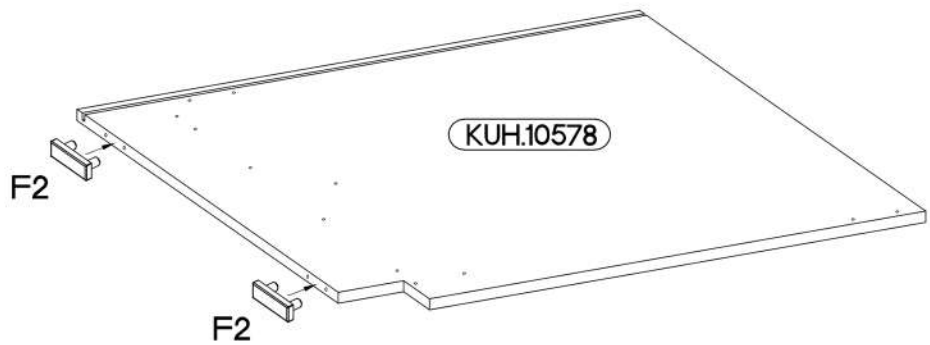
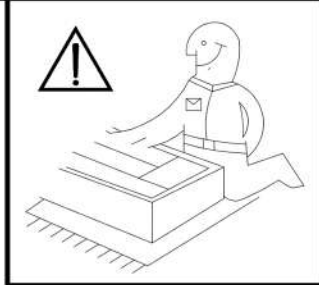


1	1	1	2	1	2	2
2	2	4	4	14	2	1
8	8	8	2	4	1	2






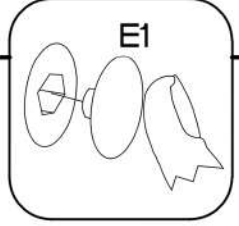
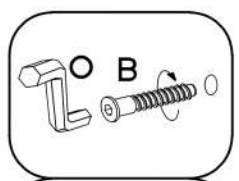
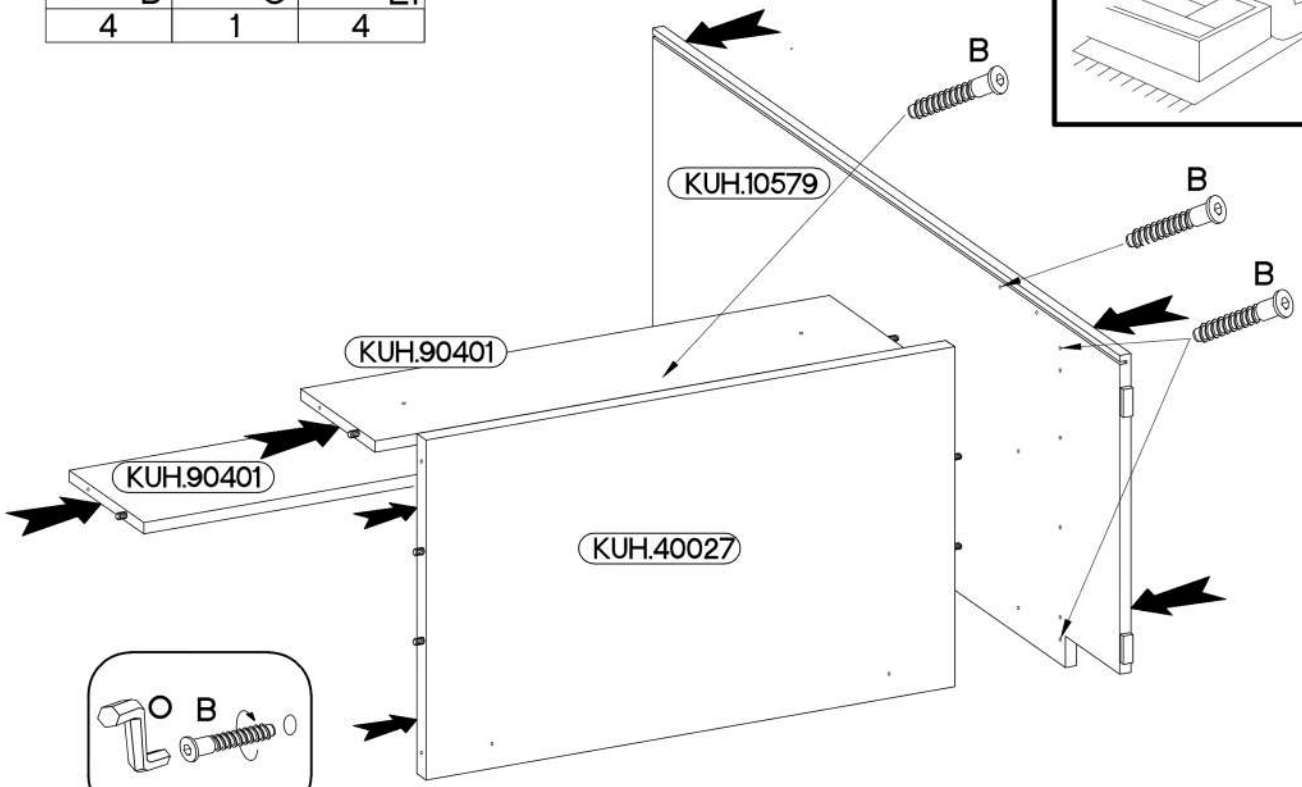
1

6.5x48x16	∅8x30mm
	
F2	A
4	8






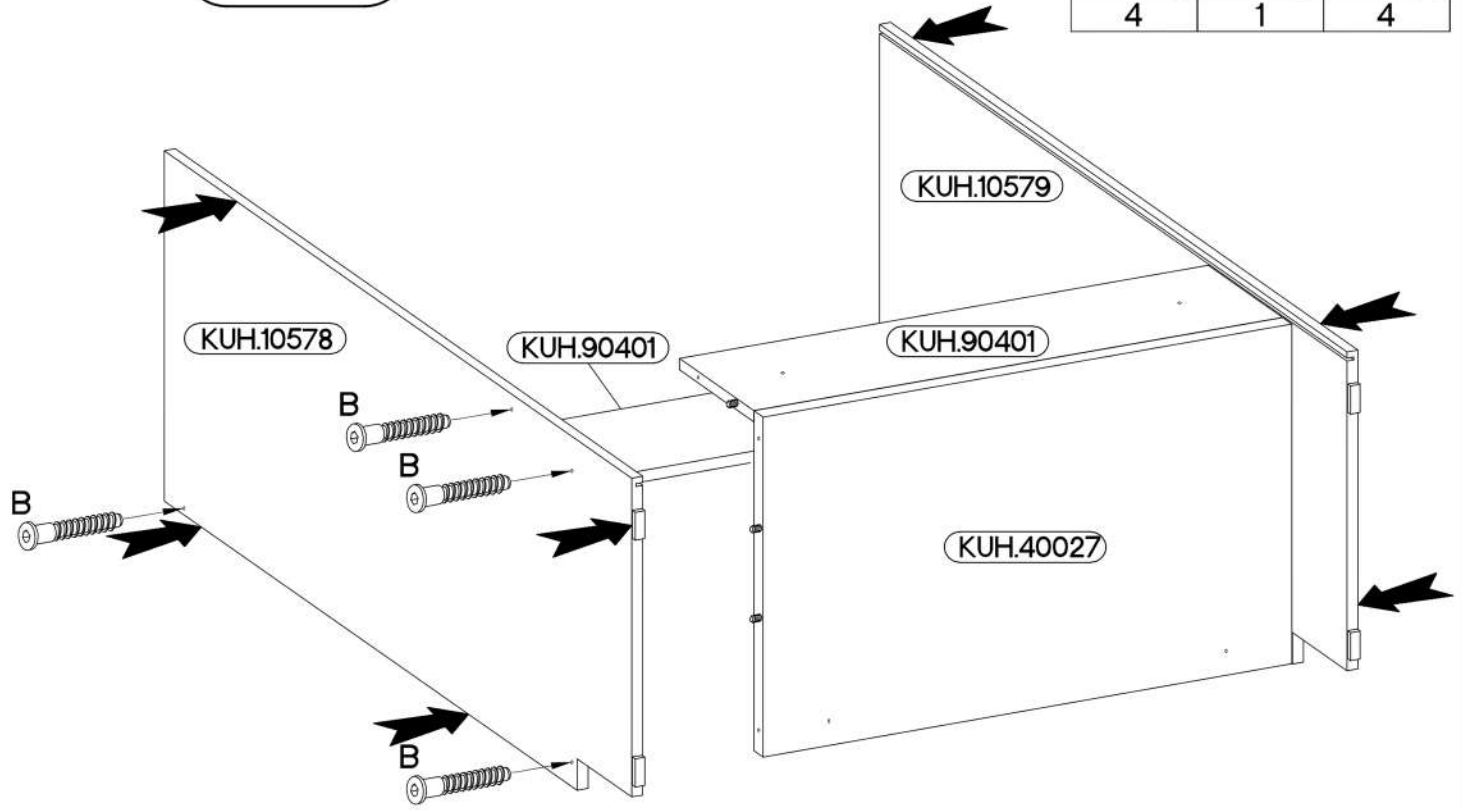
2

6,4 x 50mm		
		
B	O	E1
4	1	4





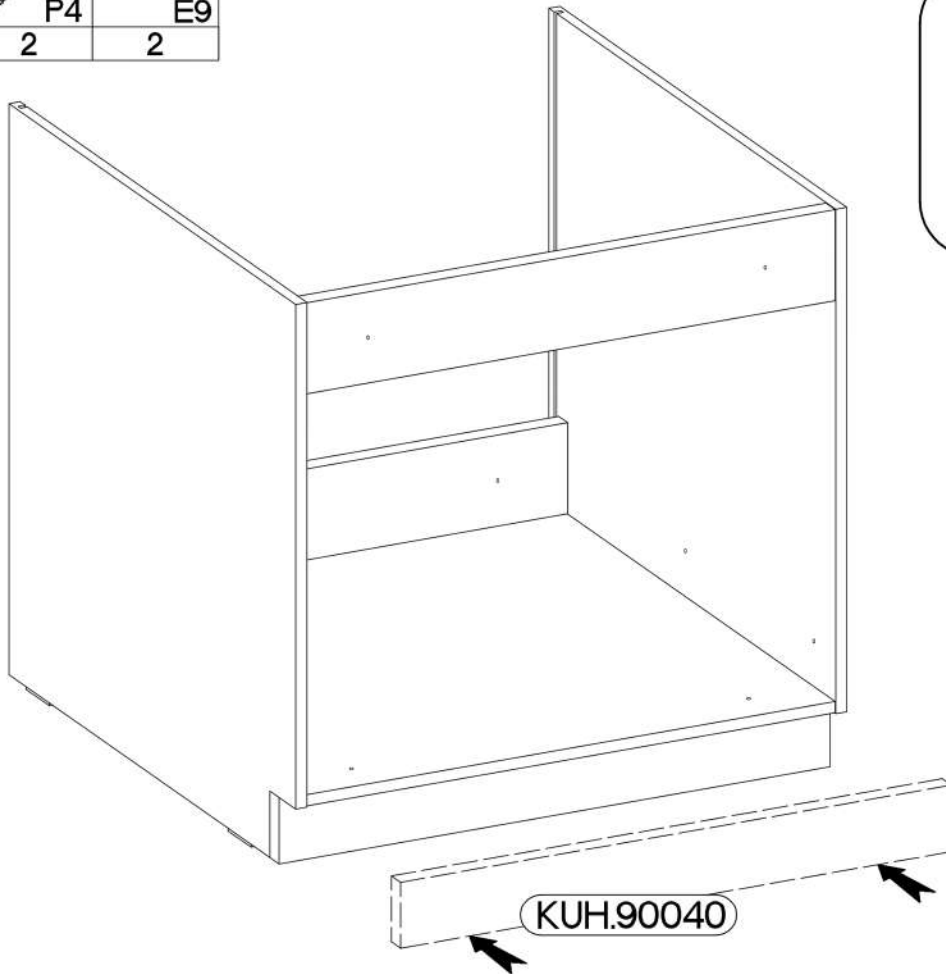
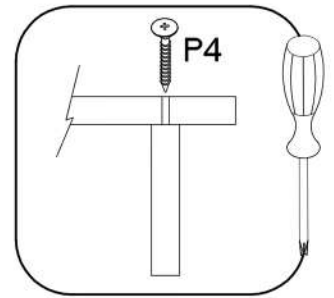
3

6,4 x 50mm		
		
B	O	E1
4	1	4

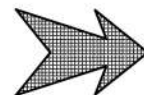
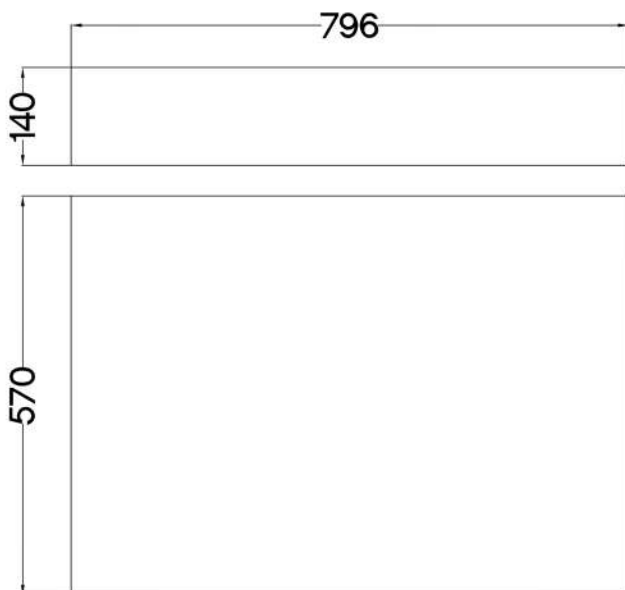
















4

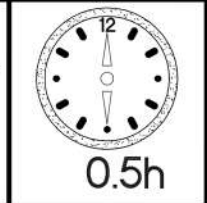
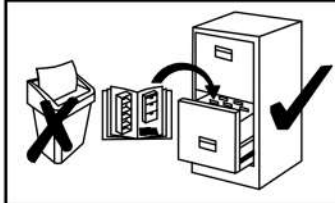
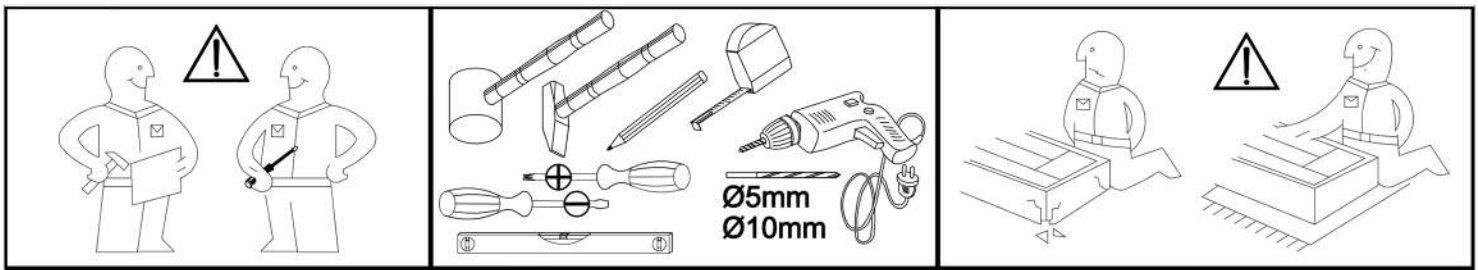
 #4.0x45mm P4 2	 E9 2
---	--



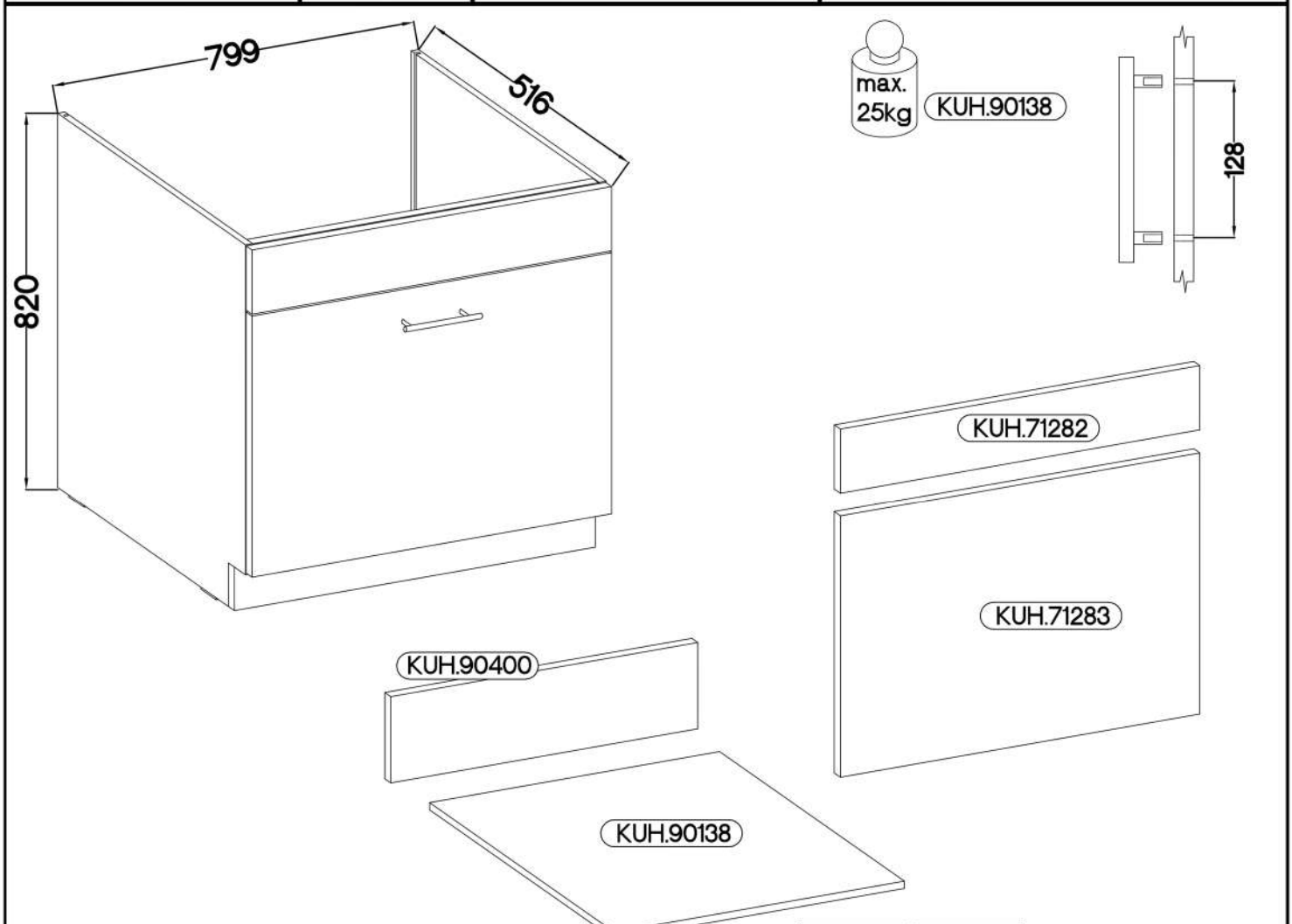
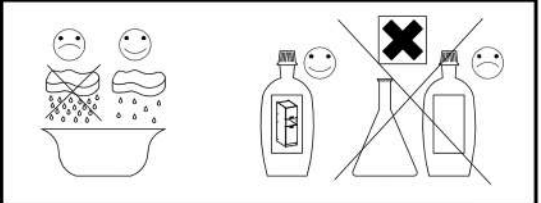
5



 11A 1	 11J 1	 11C 1	 11E 2	 11L 1	 11K 2	 11G 2
 11FH 2	 11FI 2	 M3 4	 P1 4	 P5 14	 R 2	 T17 1



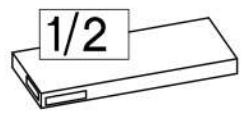
80 ZL 1S BB



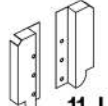









	KUH.71282	796x140x16
	KUH.71283	570x796x16
	KUH.90138	642x492x16
	KUH.90400	680x188x16

M4x22mm	L=128mm	
2	1	

1	1	1	2	1	2	2
		+6.3x13mm	+4.0x16mm	+3.5x13mm	+4.0x25mm	17x17x15mm
2	2	M3	P1	P5	R	T17
		4	4	14	2	1



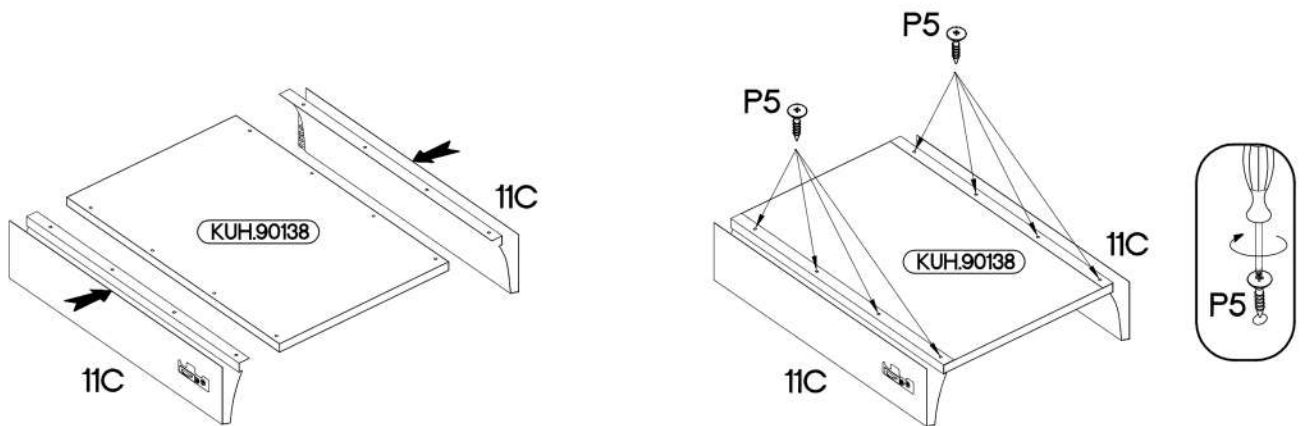
1

 11J	 11C	 11E	 11L	 11K
1	1	2	1	2
 11G	 17x17x15mm T17	 11FH	 11FI	 #3.5x13mm P5
2	1	2	2	14

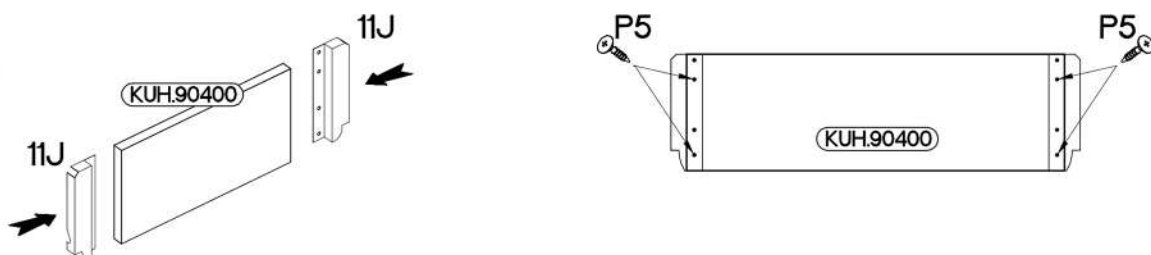
1.



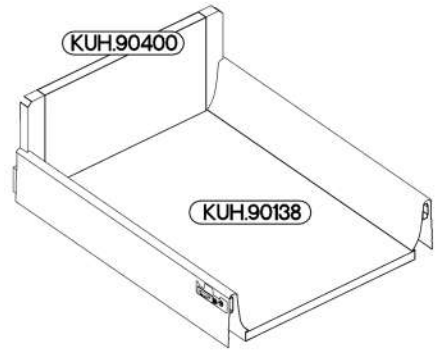
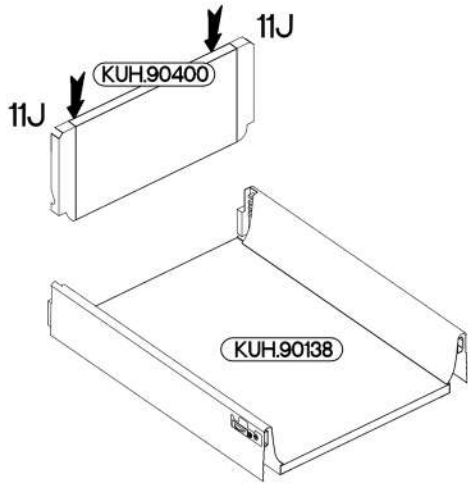
2.



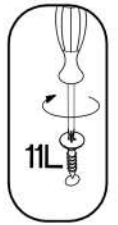
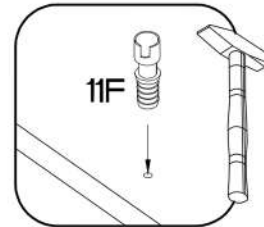
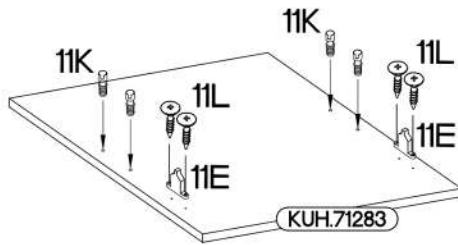
3.



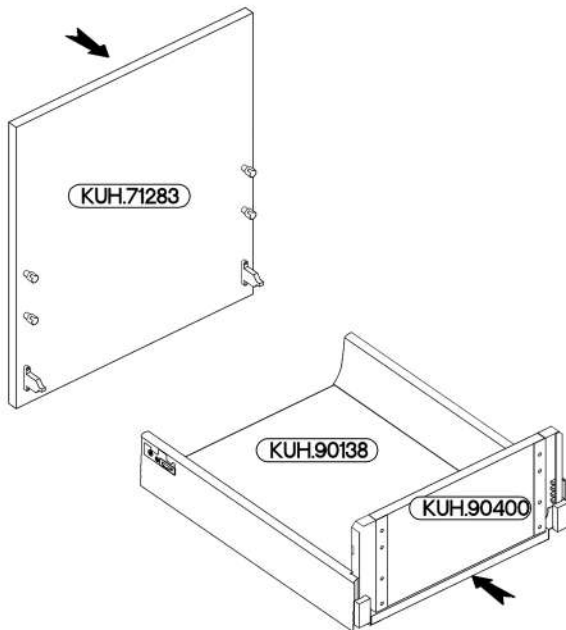
4.



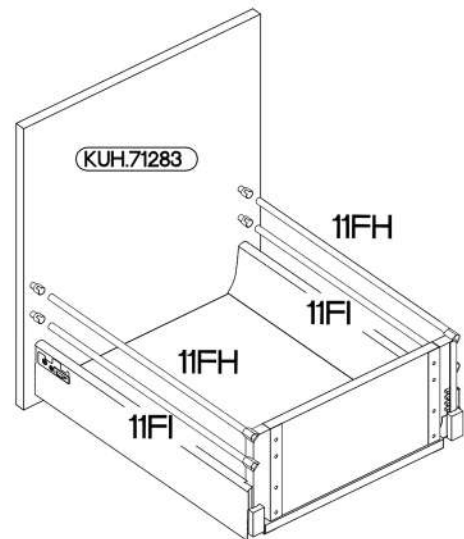
5.



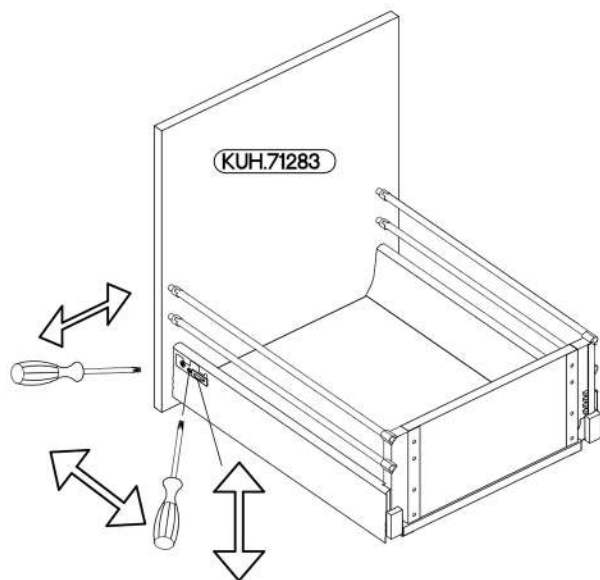
6.



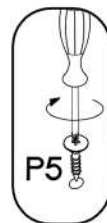
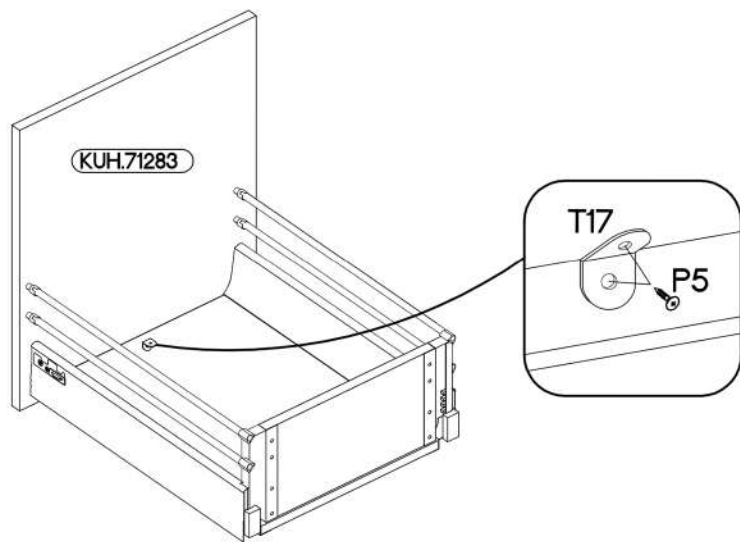
7.



8.



9.



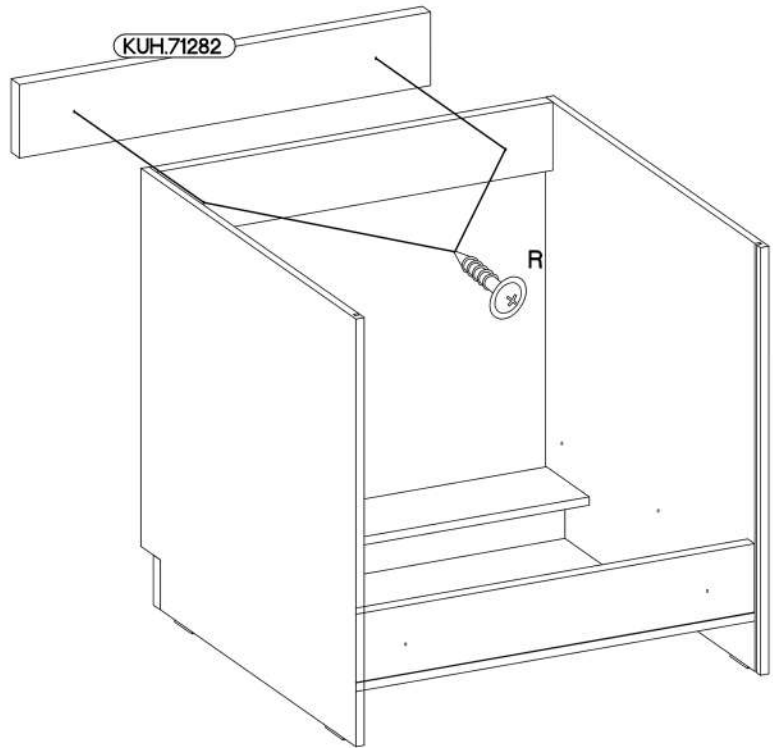
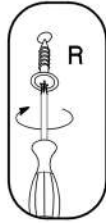
2

4.0x25mm



R

2



3



11A

1



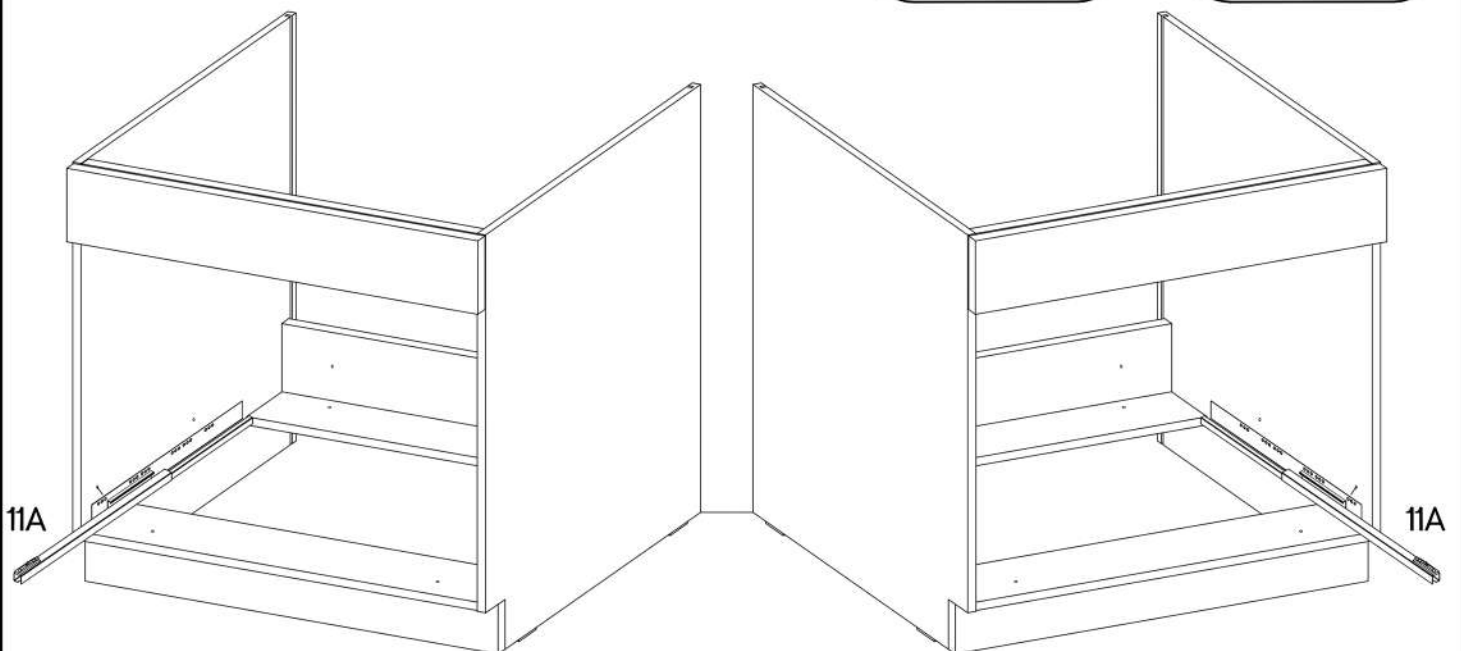
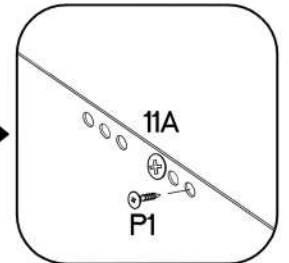
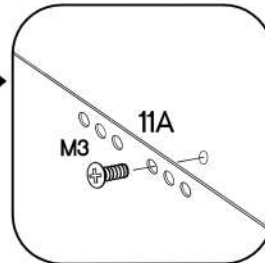
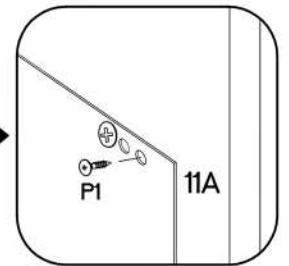
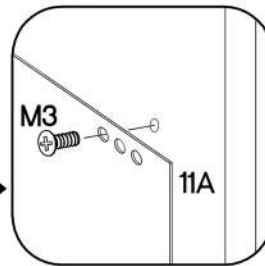
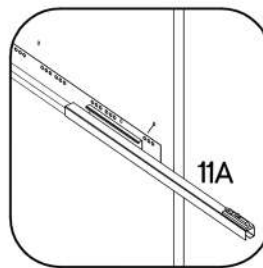
M3

4





P1

4



4

M4x22mm	L=128mm
	
U	S
2	1

