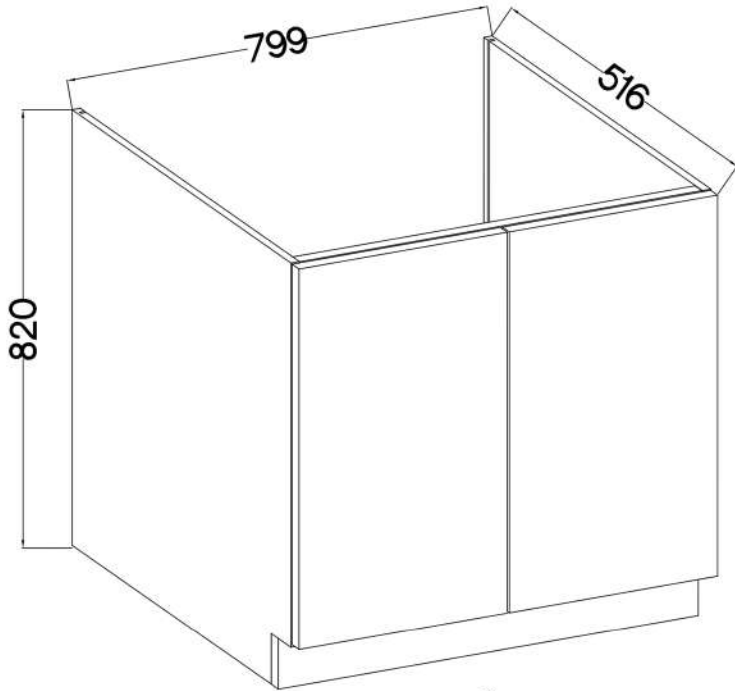
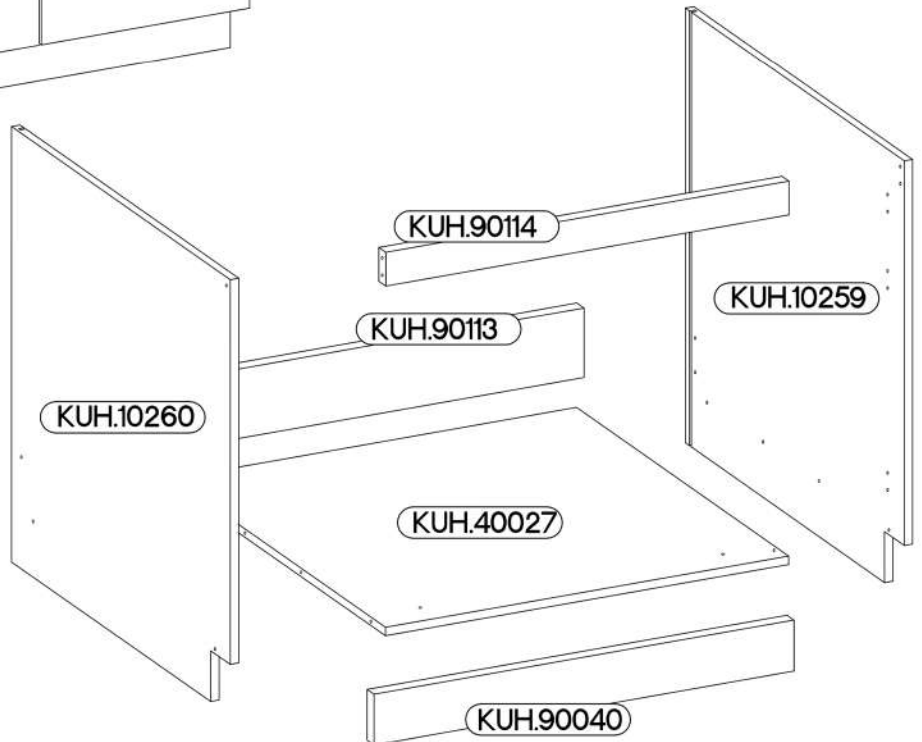


# ARSANY 80 ZL 2F BB

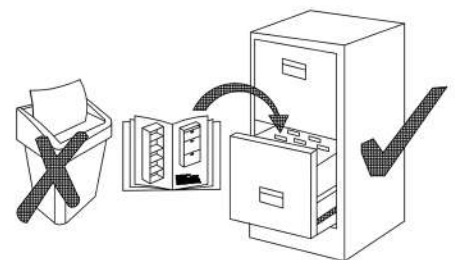


KUH.40027



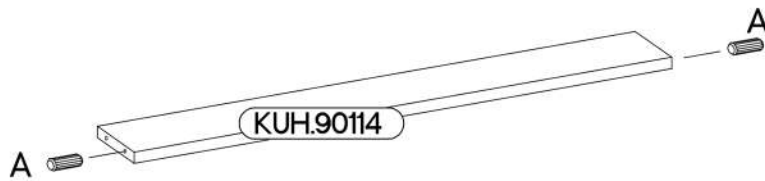
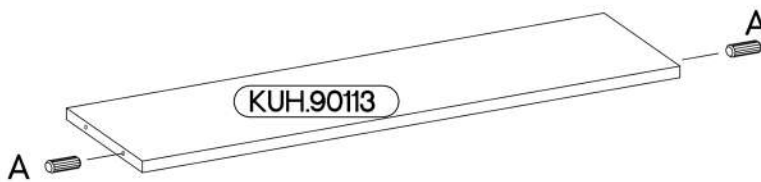
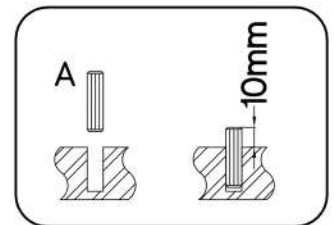
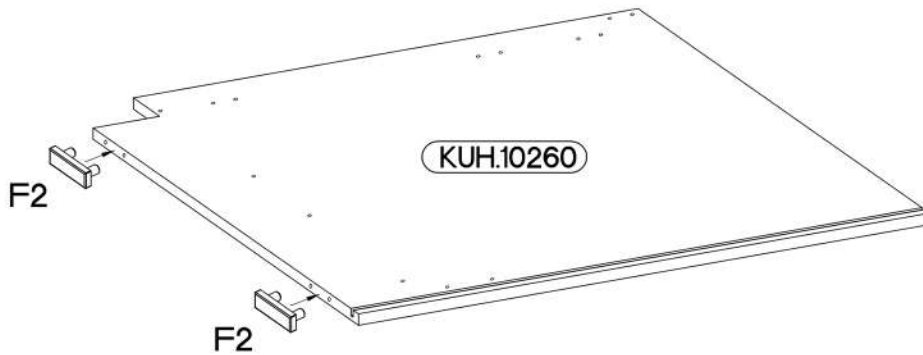
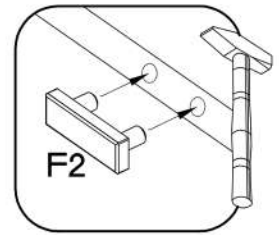
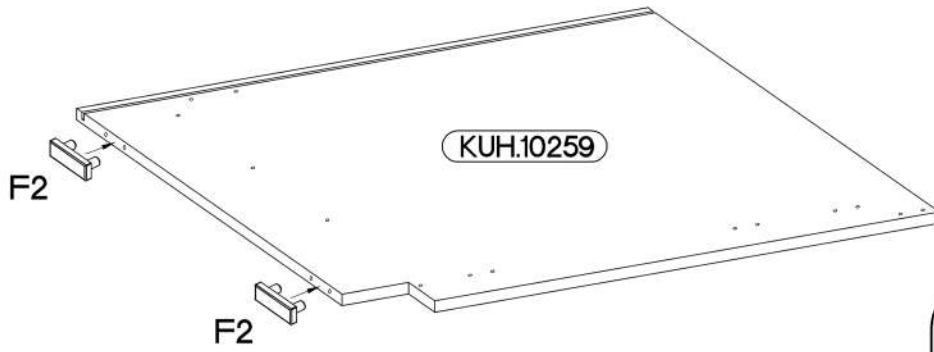
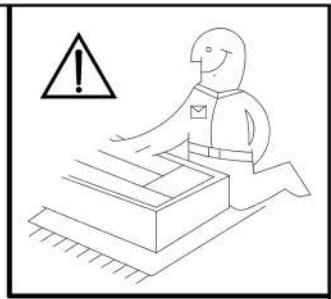
KUH.10259	815x500x16
KUH.10260	815x500x16
KUH.40027	767x485x16
KUH.90114	767x63x16
KUH.90113	767x130x16
KUH.90040	799x95x16

<b>A</b>	<b>B</b>	<b>E1</b>			
8	8	8			
<b>E9</b>	<b>F2</b>	<b>HG</b>	<b>O</b>	<b>P4</b>	<b>P5</b>
2	4	4	1	2	8



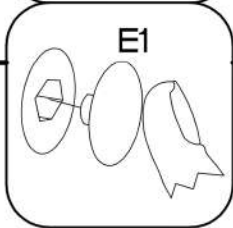
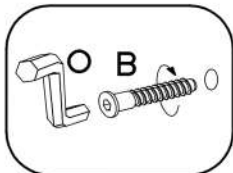
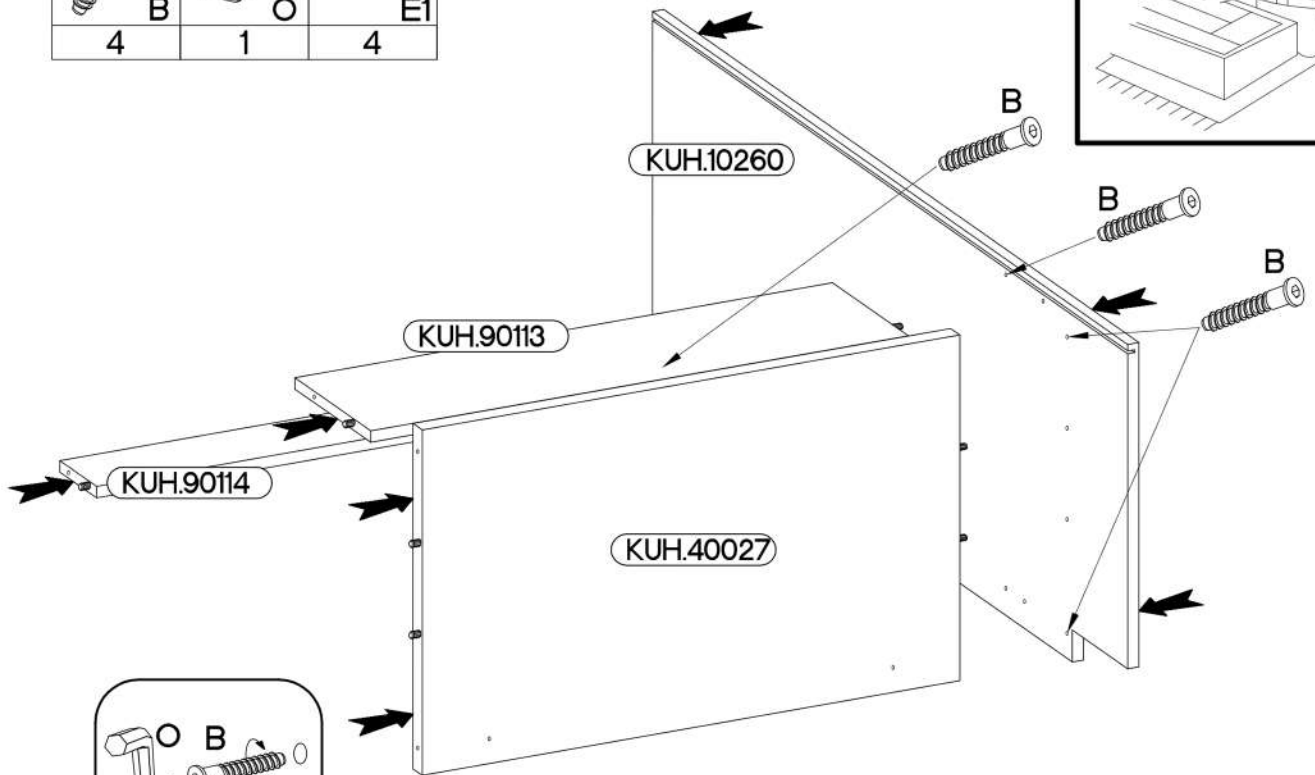
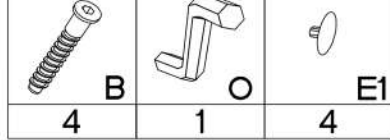
1

6.5x48x16 F2	∅8x30mm A
4	8

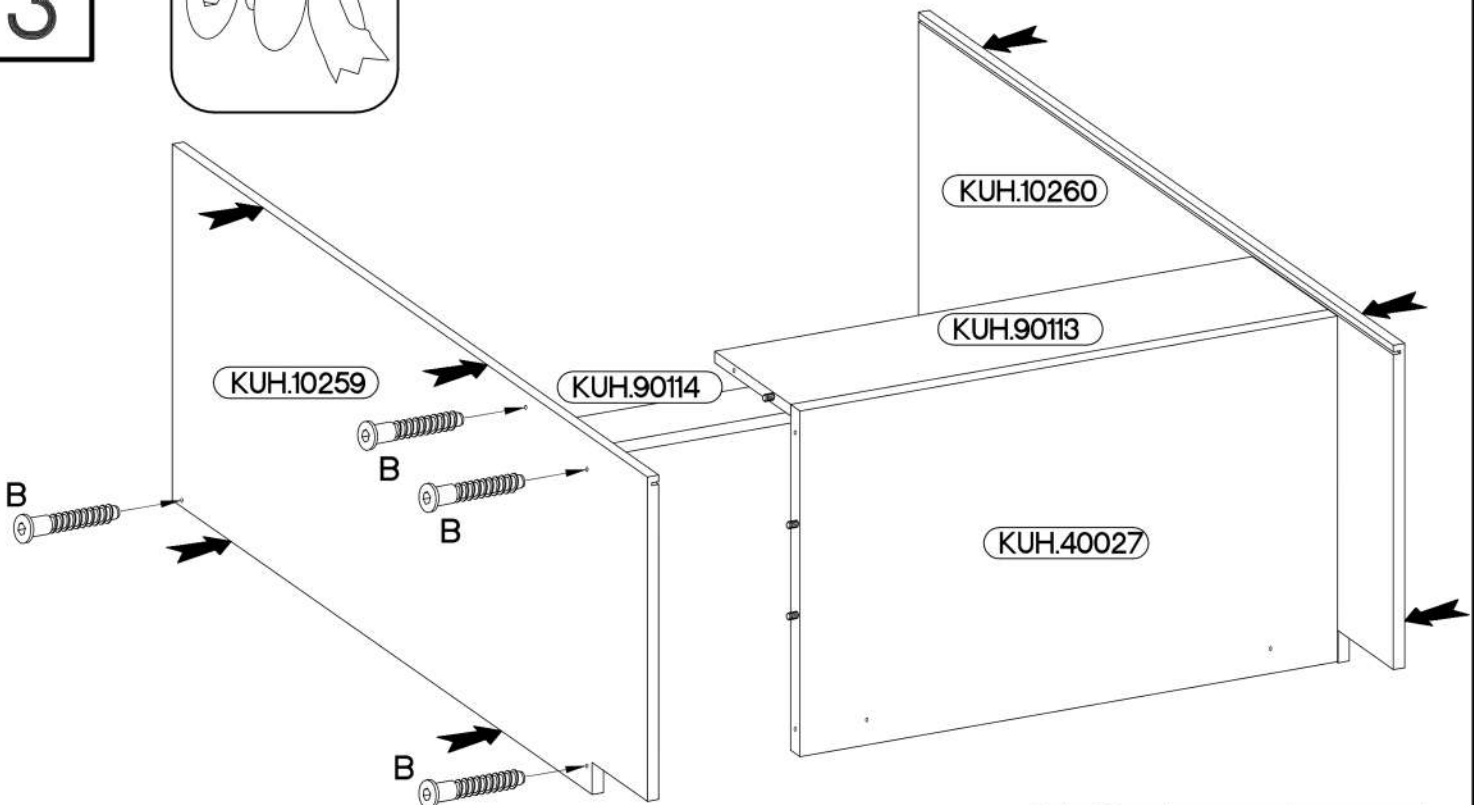


2

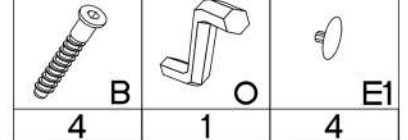
6,4 x 50mm





3

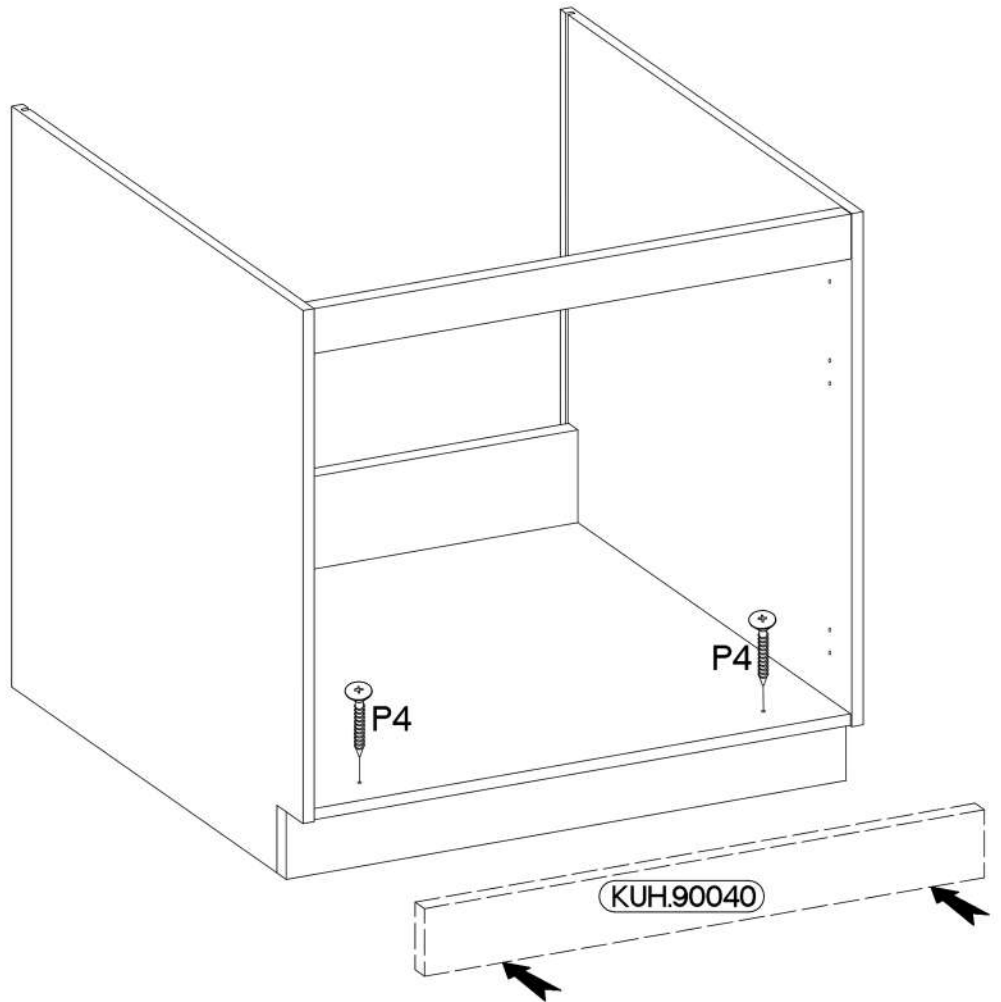
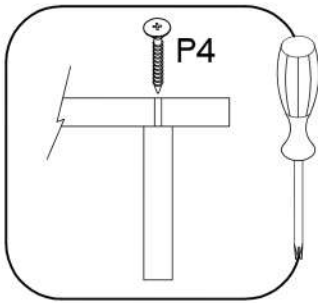


6,4 x 50mm

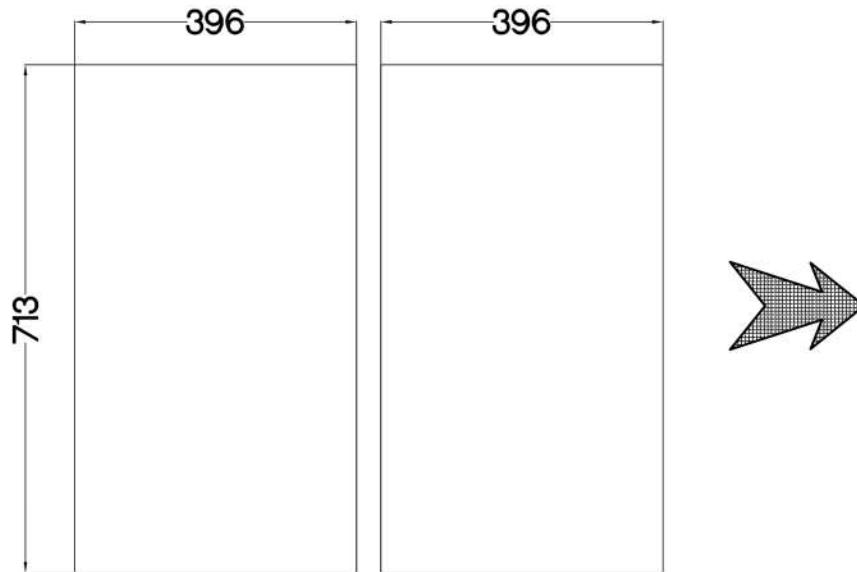


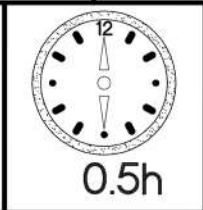
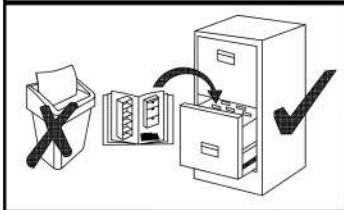
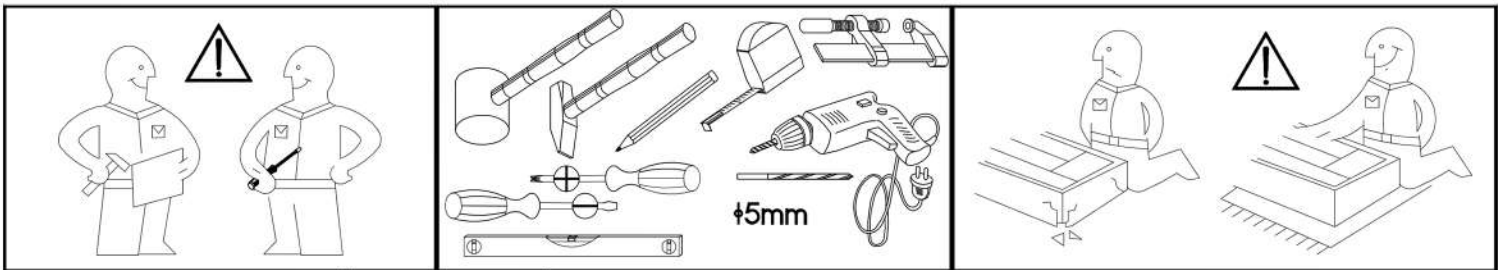
4

4.0x45mm  P4 2	 E9 2
--	--

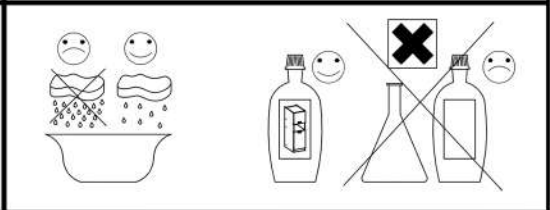


5

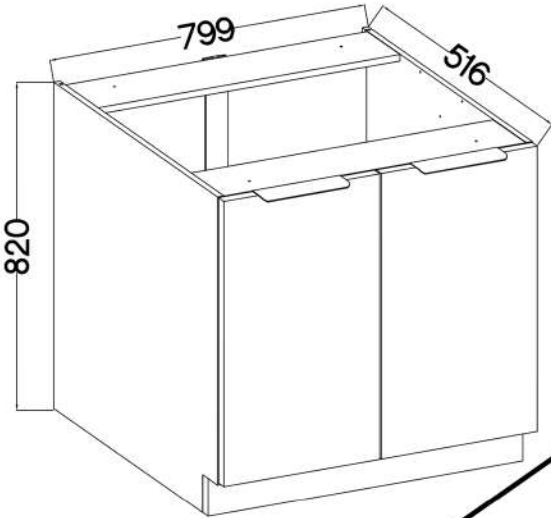




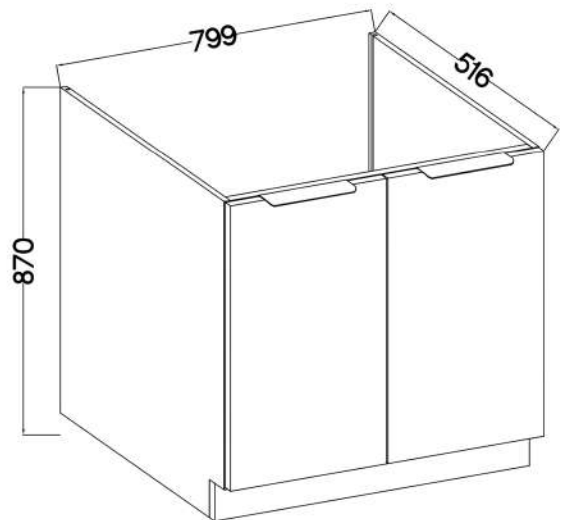
**713x396**



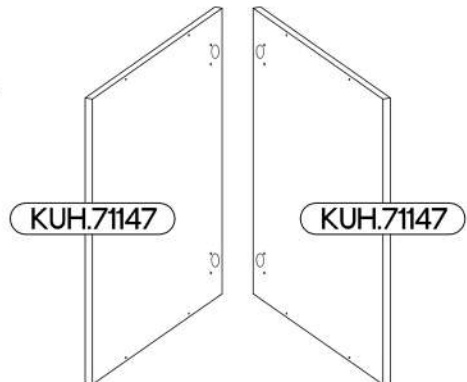
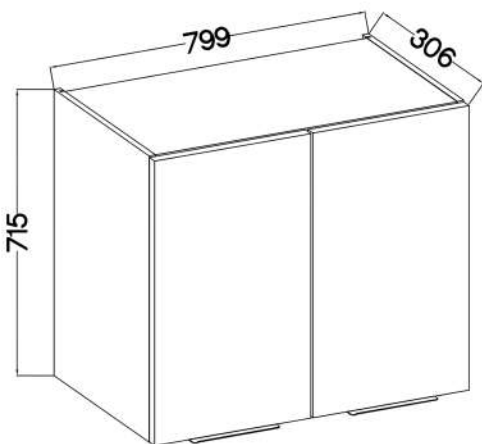
**80 D 2F BB**



**80 ZL 2F BB**



**80 G-72 2F**



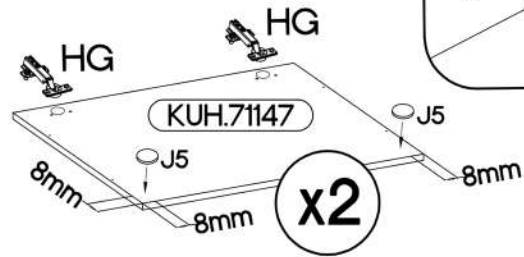
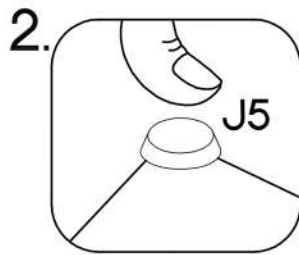
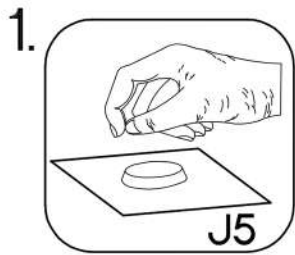
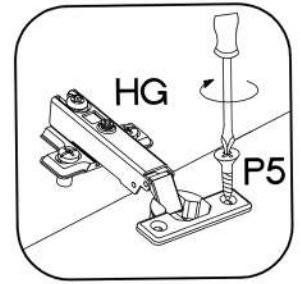
L=192mm	$\pm 7/2\text{mm}$
S	J5
2	4

KUH.71147 x2 | 713x396x16

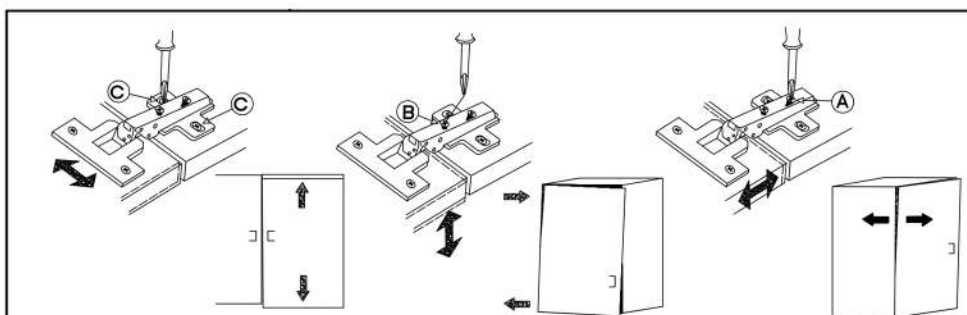
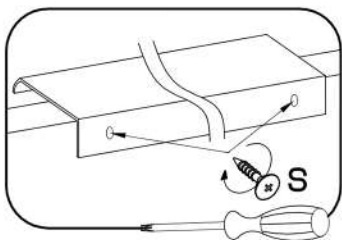
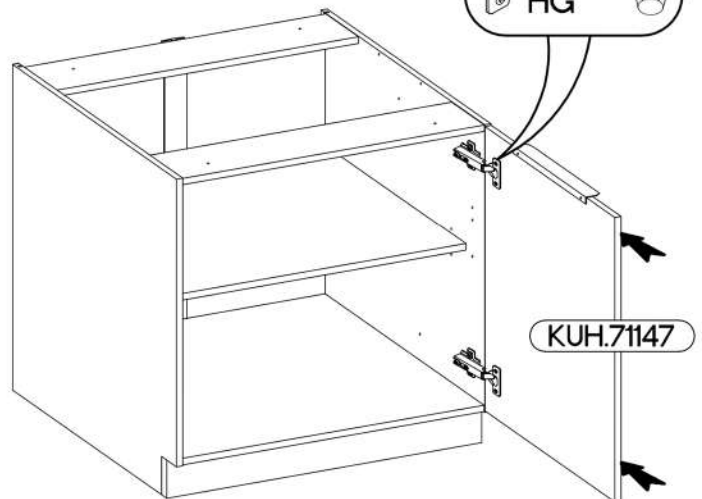
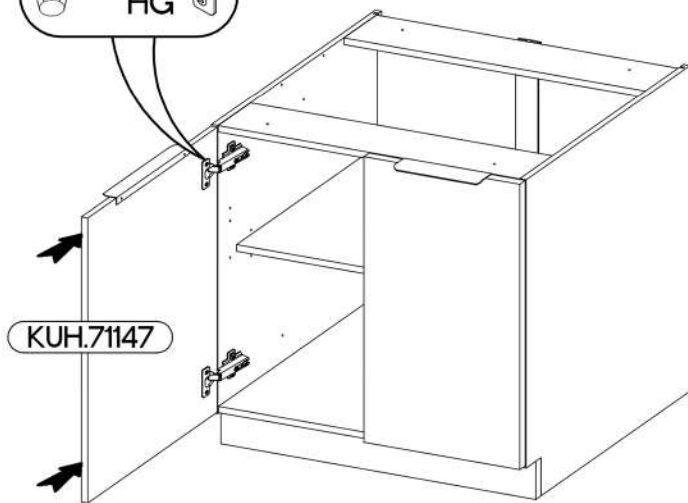
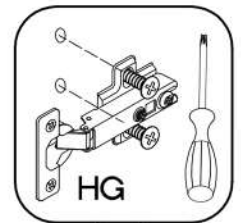
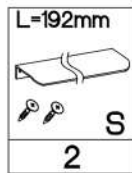
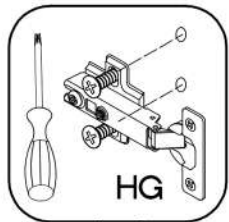
# 1

# 80 D 2F BB

±35/0mm [CD] HG	±3.5x13mm P5	±7/2mm J5
4	8	4

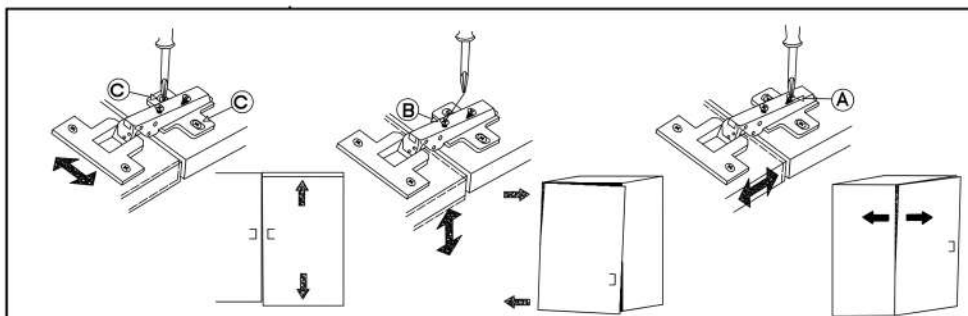
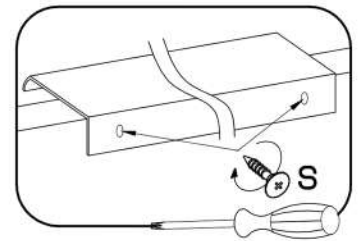
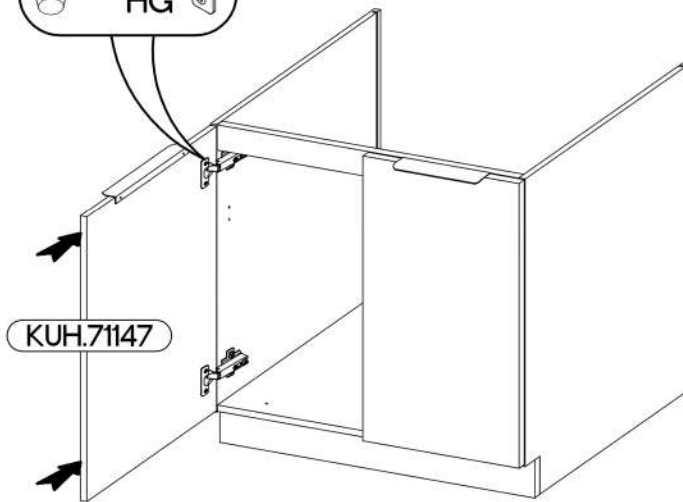
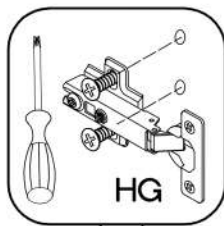
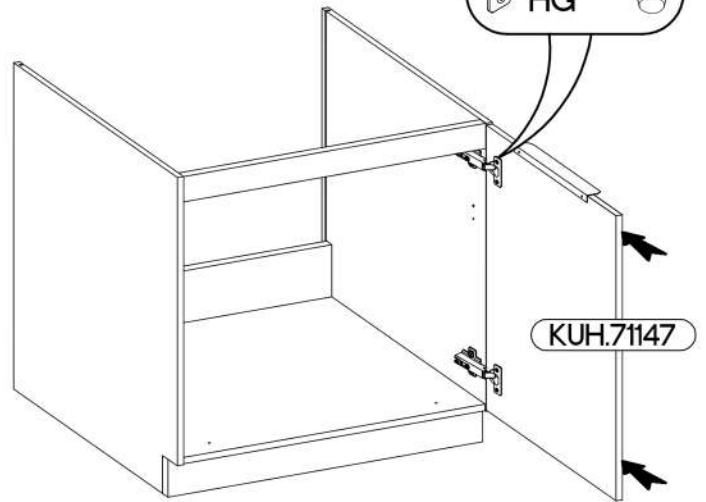
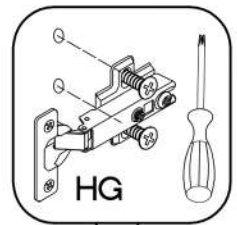


# 2



3

80 ZL 2F BB



4

80 G-72 2F

