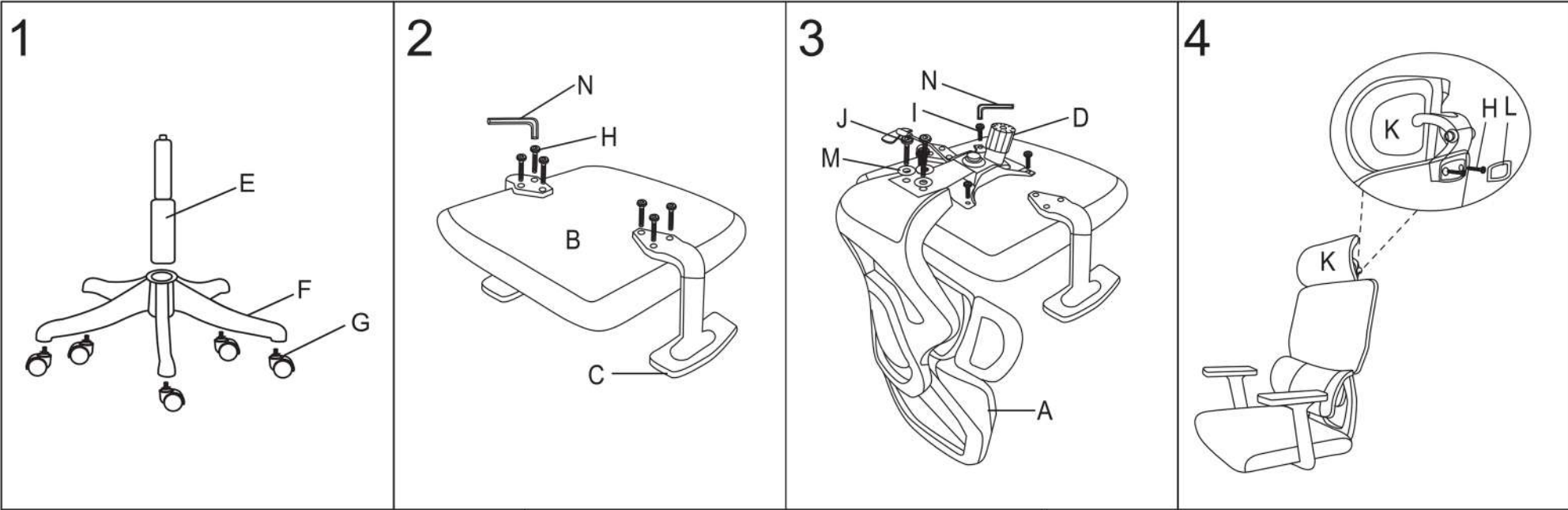


JANIK SD-2036



A		1 x	H		8 x
B		1 x	I		4 x
C		2 x	J		3. x.
D		1 x	K		1 x
E		1 x	L		1 x
F		1 x	M		3 x
G		5 x	N		1 x