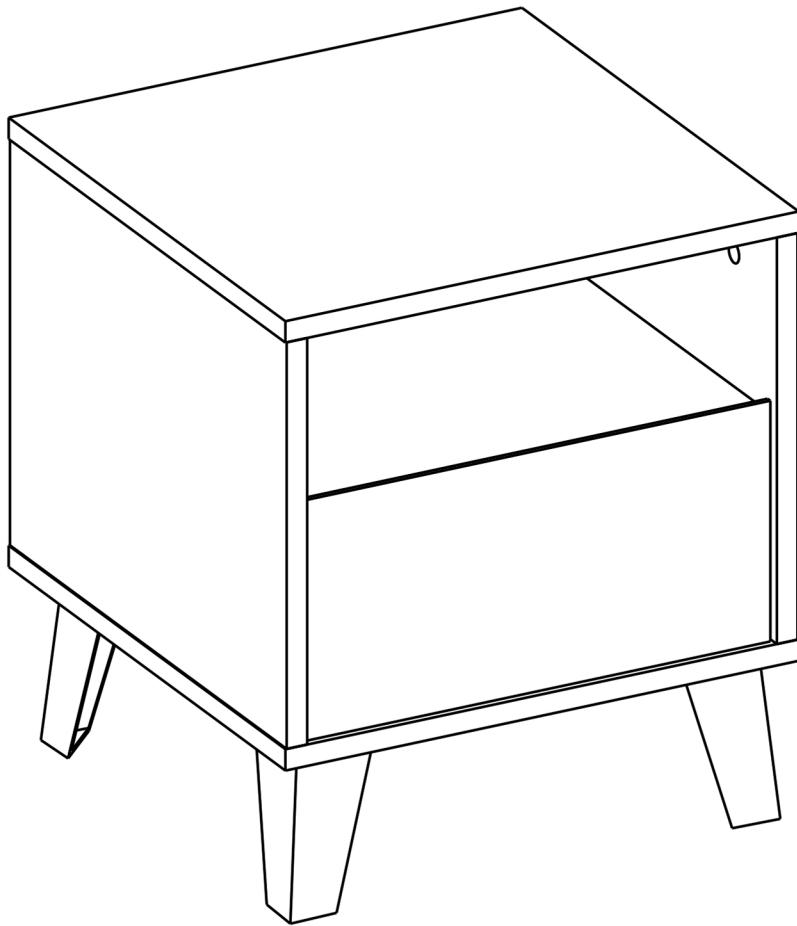
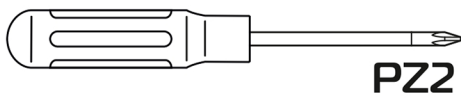
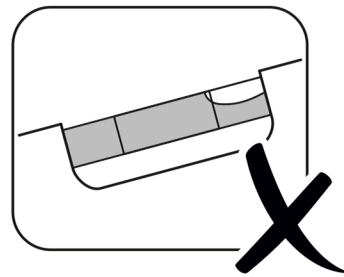
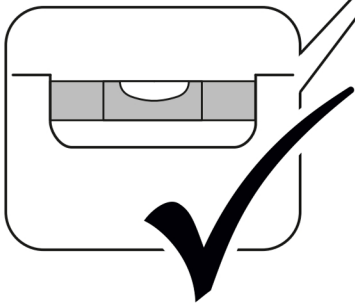
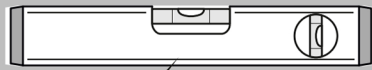
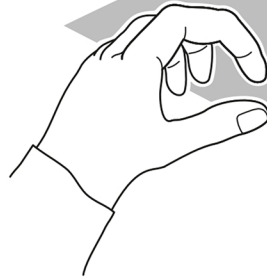
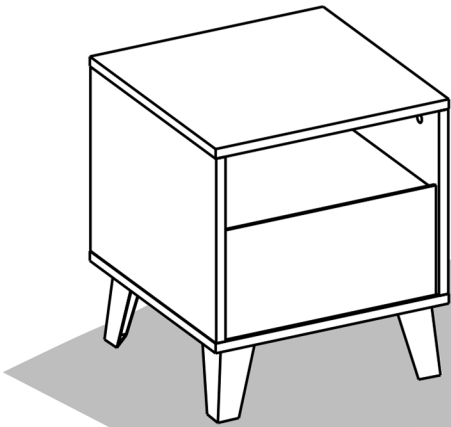
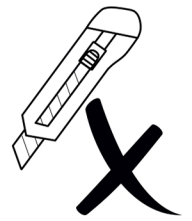
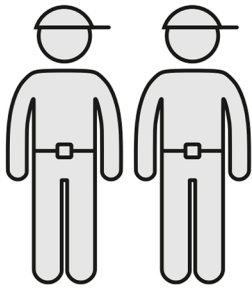
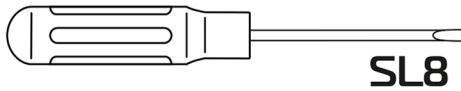


BOGAN 1S

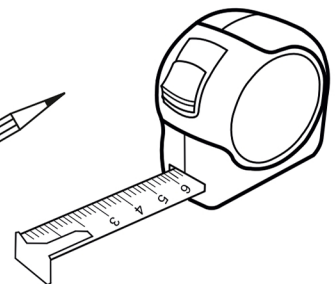
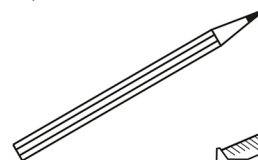
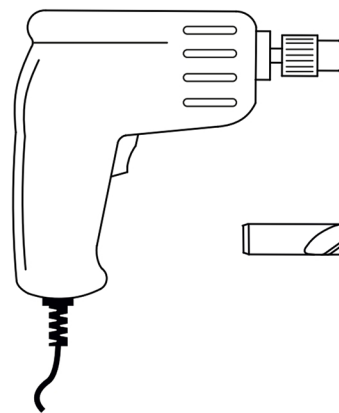
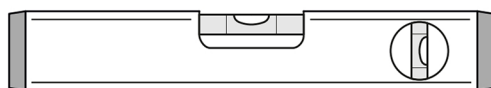
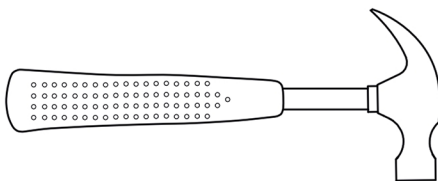


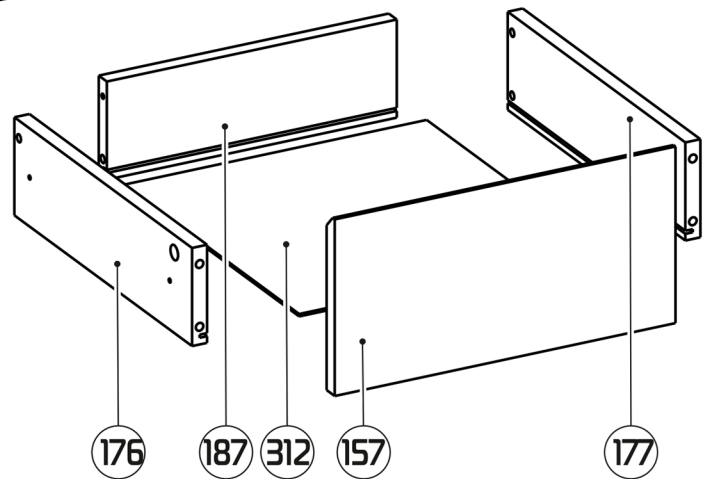
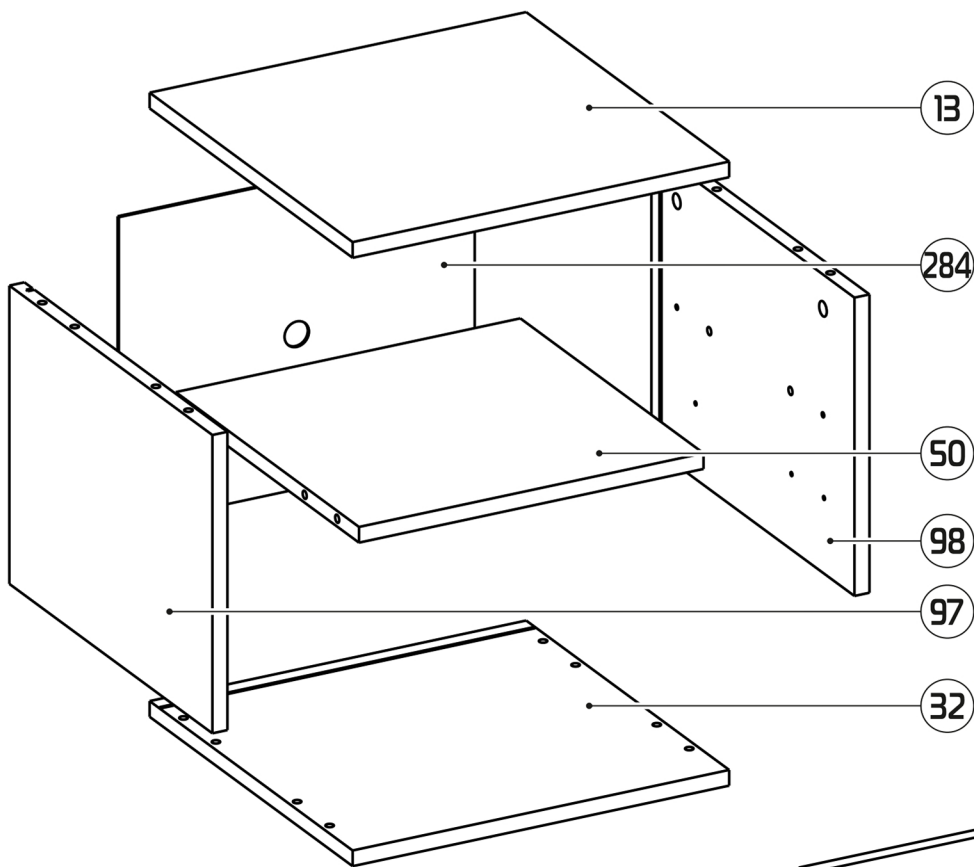


PZ2



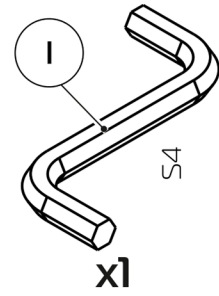
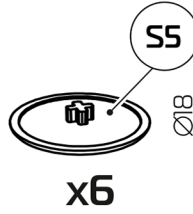
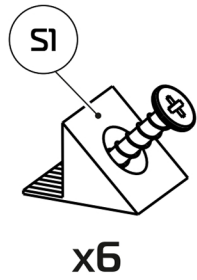
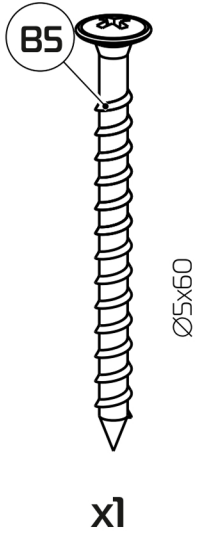
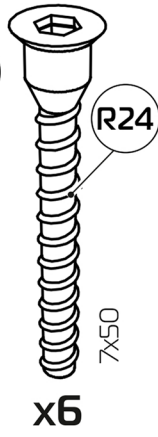
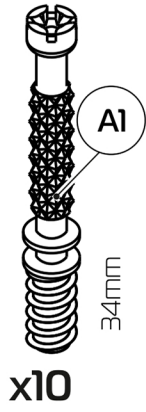
SL8



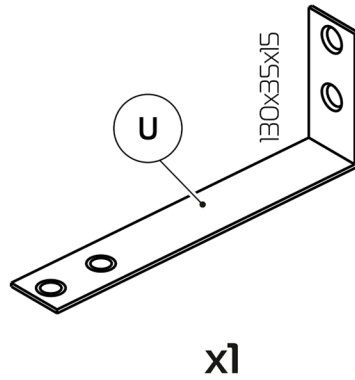


- ⑬ 400x389x16 (x1)
- ③② 400x389x16 (x1)
- ⑤① 366x356x16 (x1)
- ⑨⑦ 304x388x16 (x1)
- ⑨⑧ 304x388x16 (x1)
- ①⑤⑦ 362x180x16 (x1)
- ①⑦⑥ 350x100x16 (x1)
- ①⑦⑦ 350x100x16 (x1)
- ①⑧⑦ 308x100x16 (x1)
- ②⑧④ 316x378x2,5 (x1)
- ③①② 322x346x2,5 (x1)

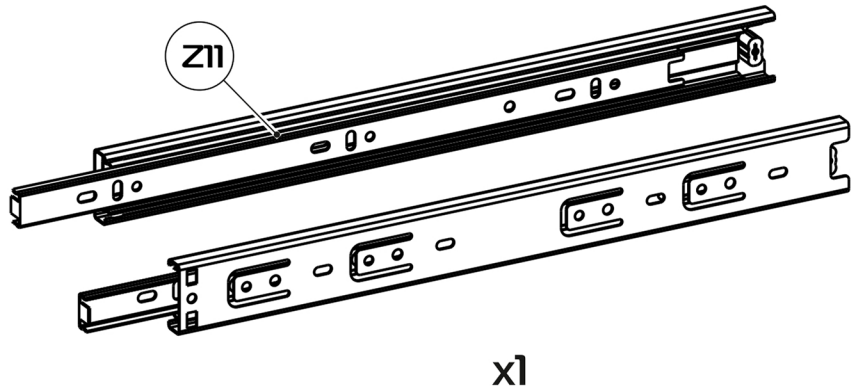
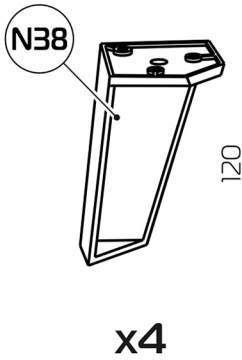
1:1



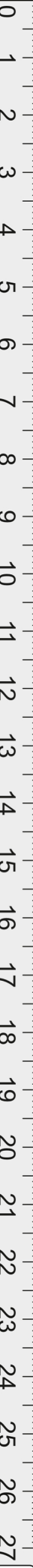
1:2



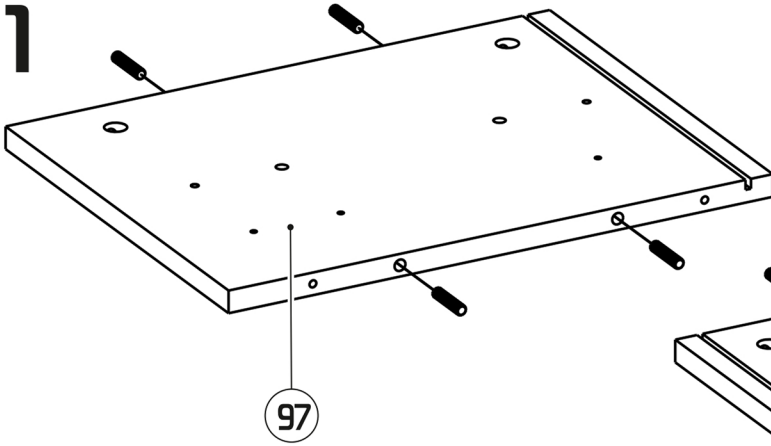
1:4



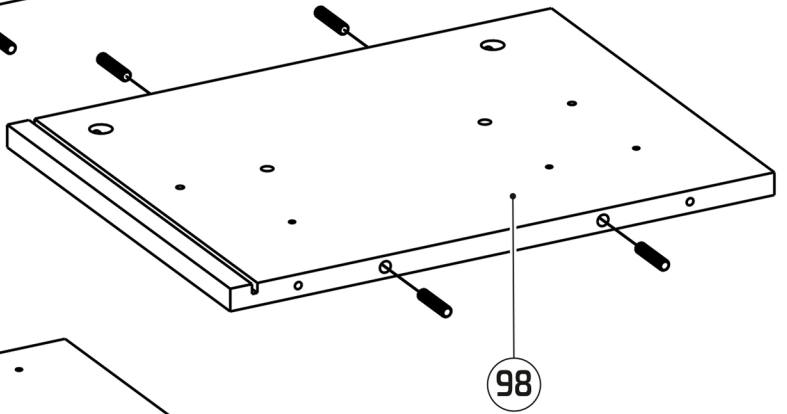
05E



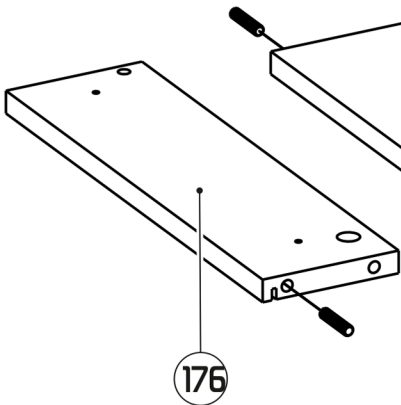
1



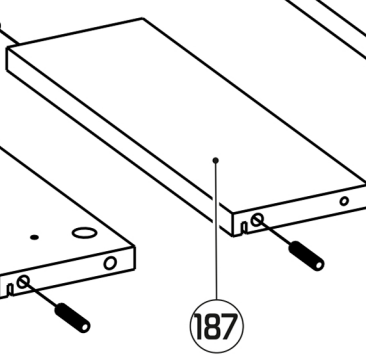
97



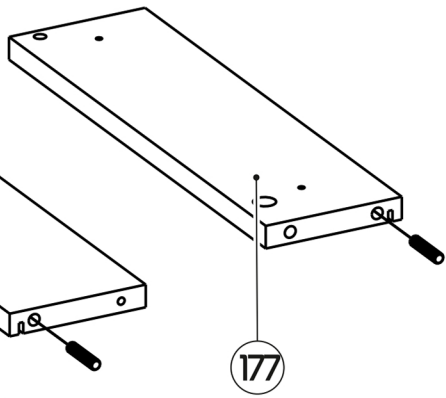
98



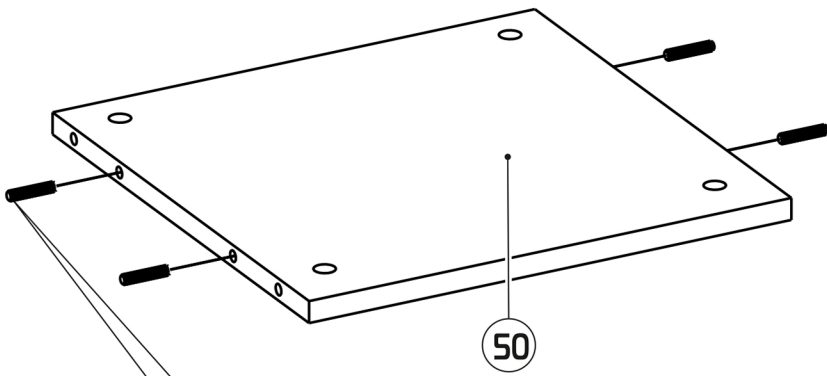
176



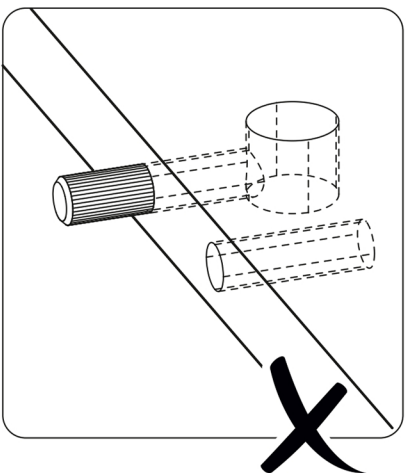
187



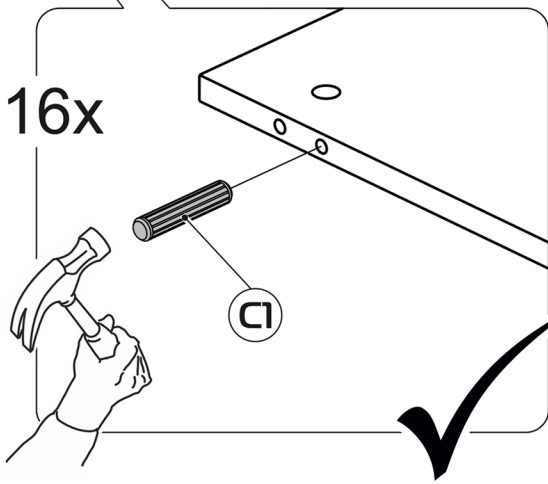
177



50

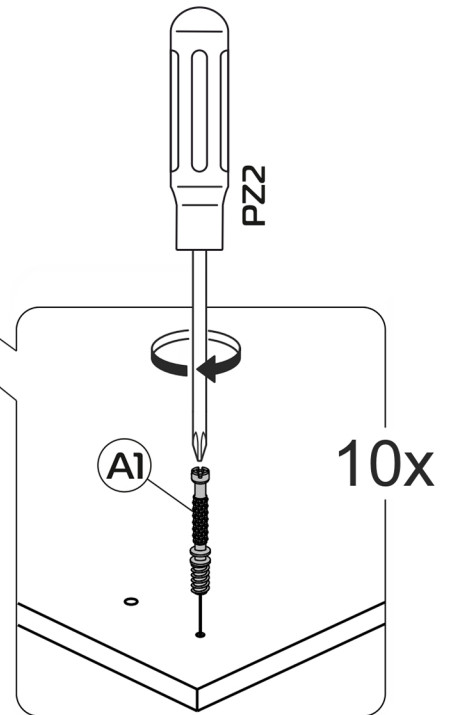
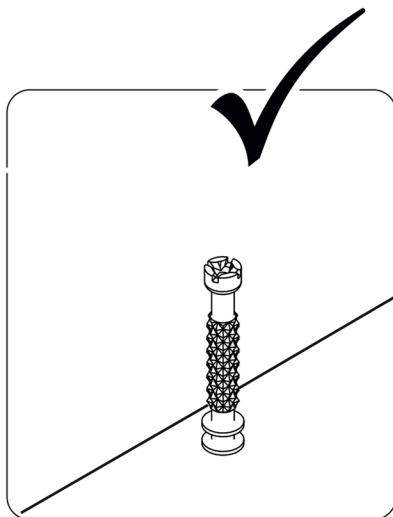
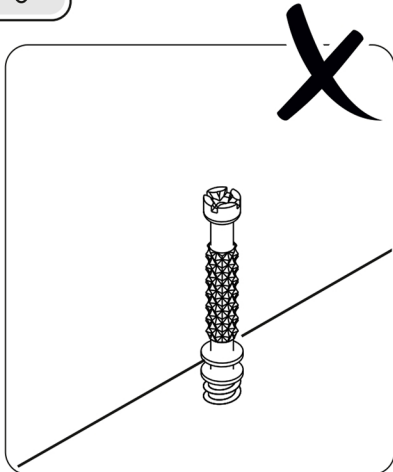
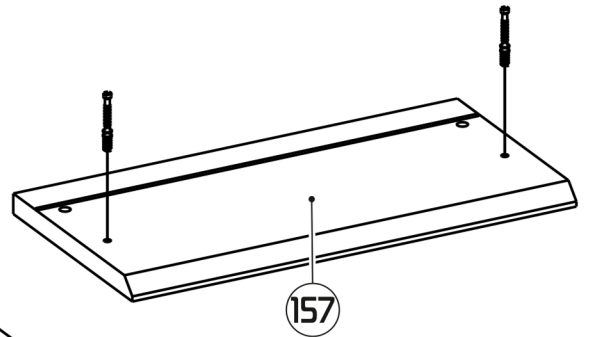
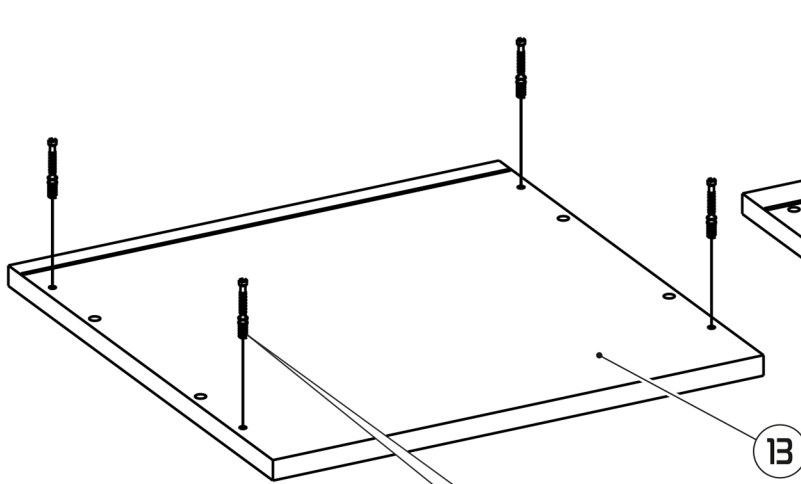
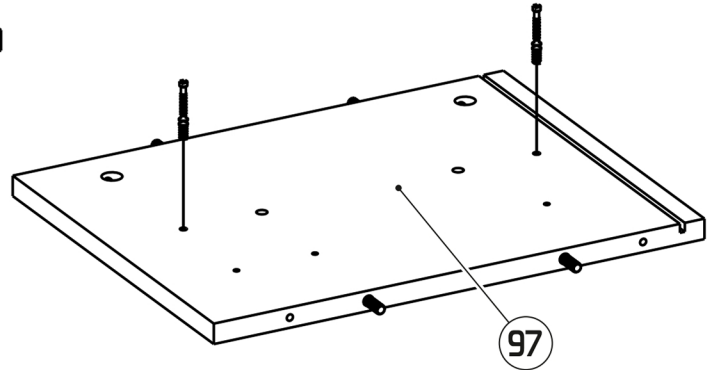
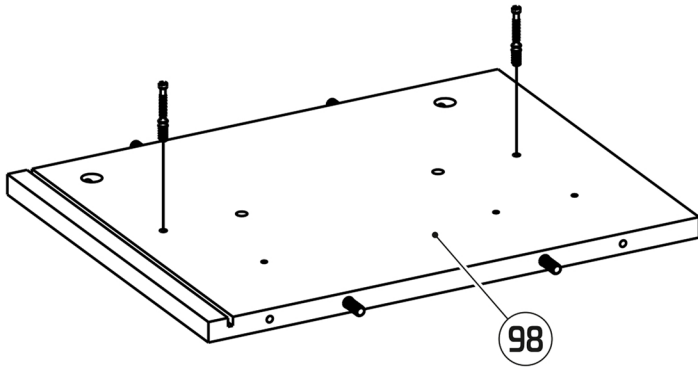


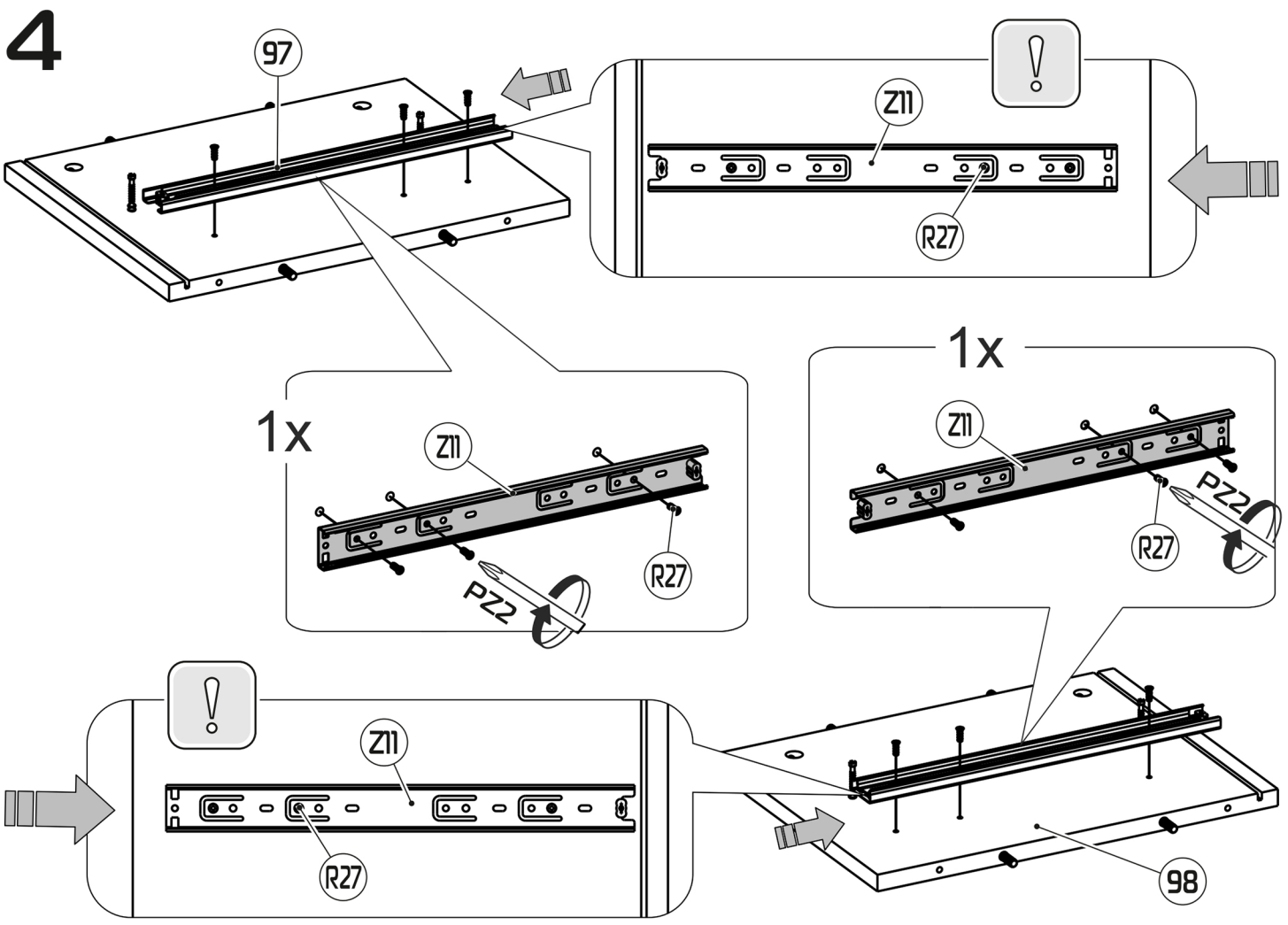
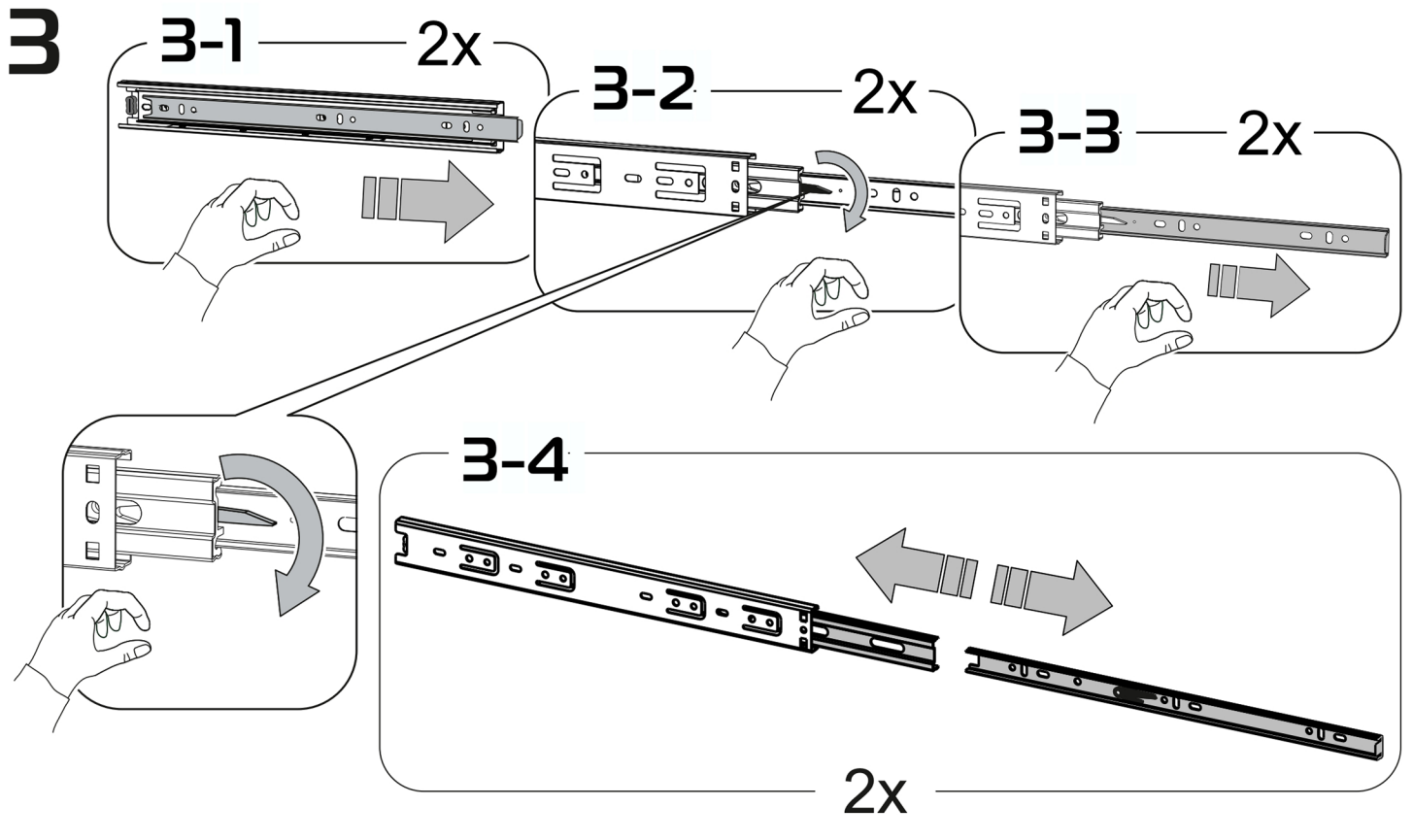
16x



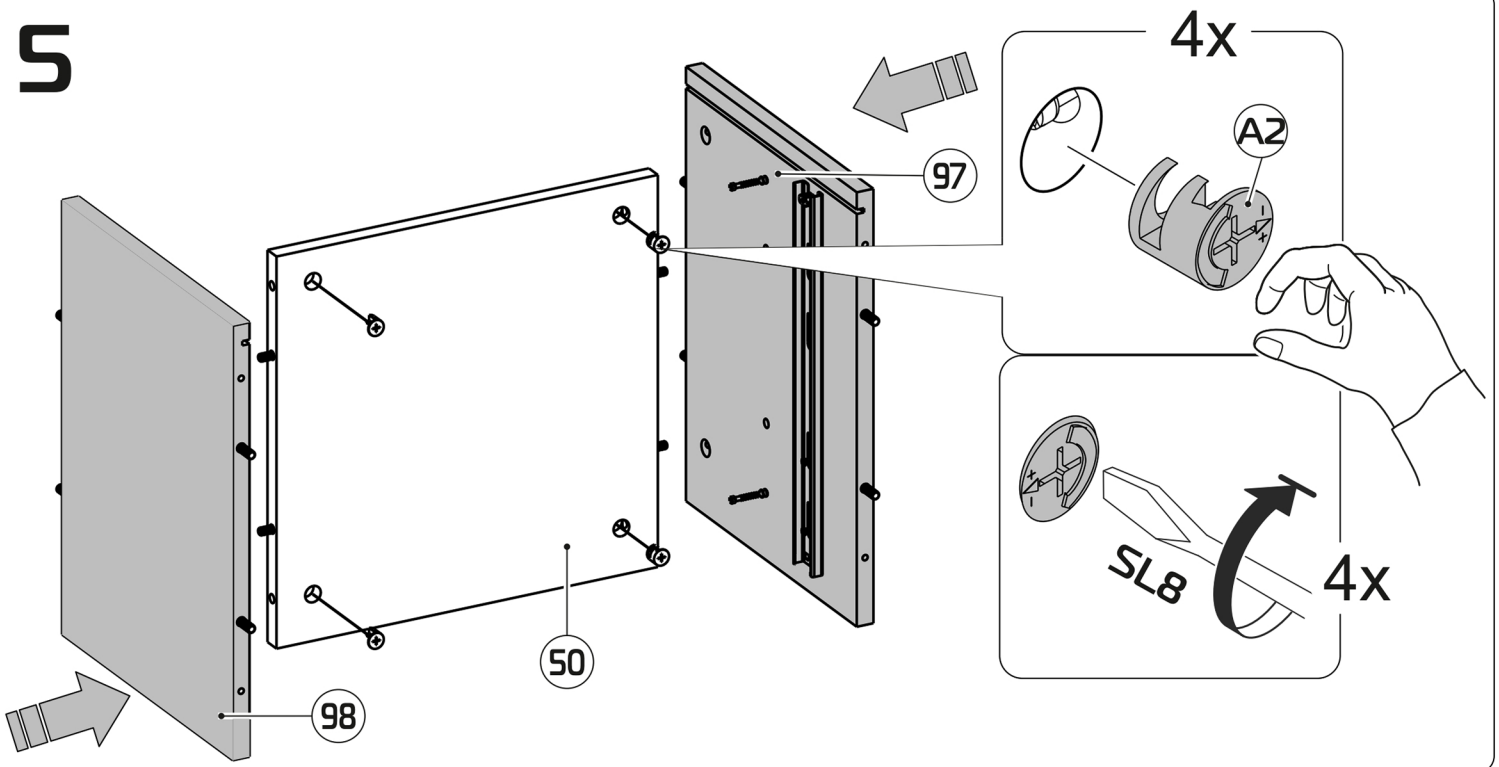
16x

2

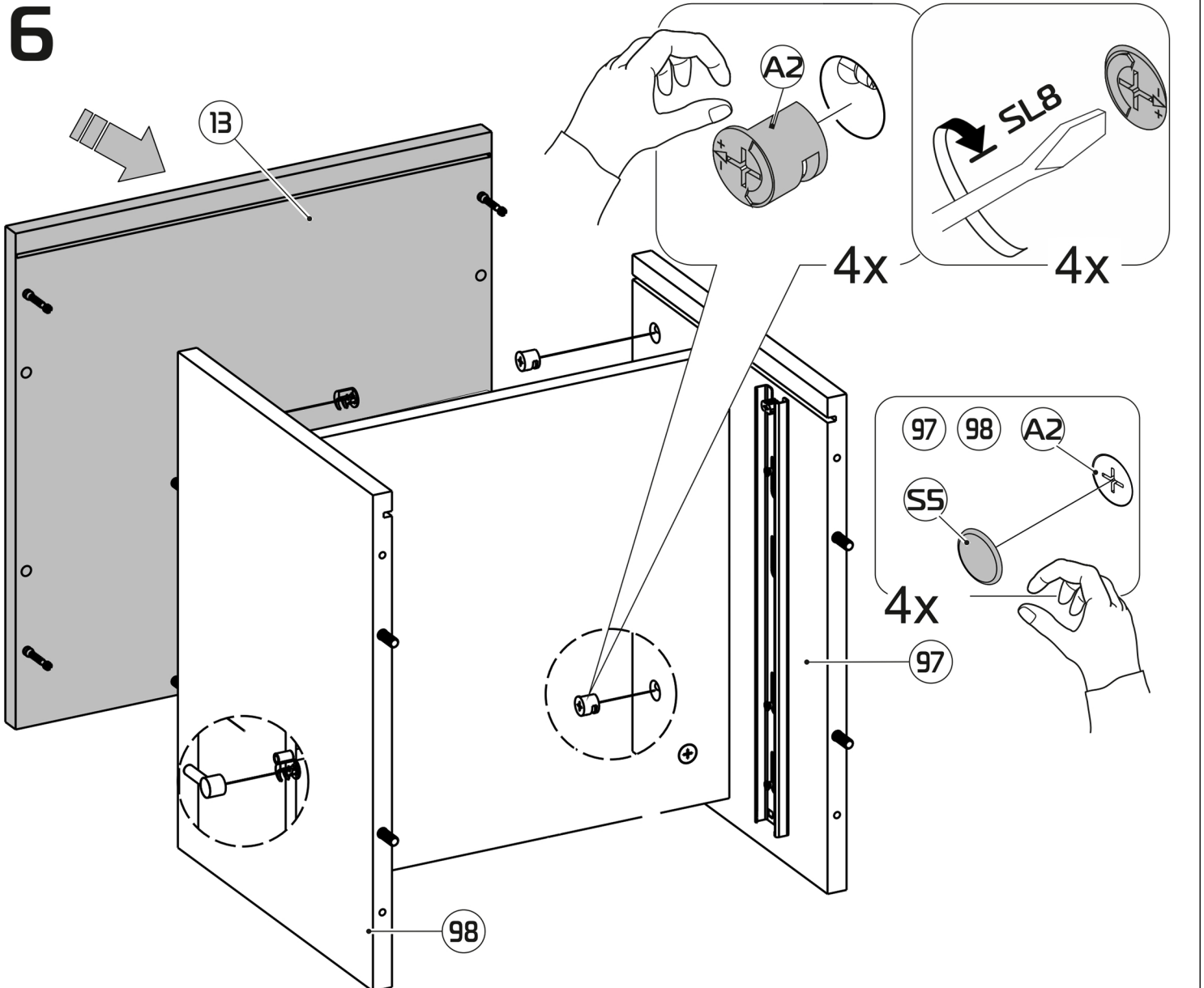




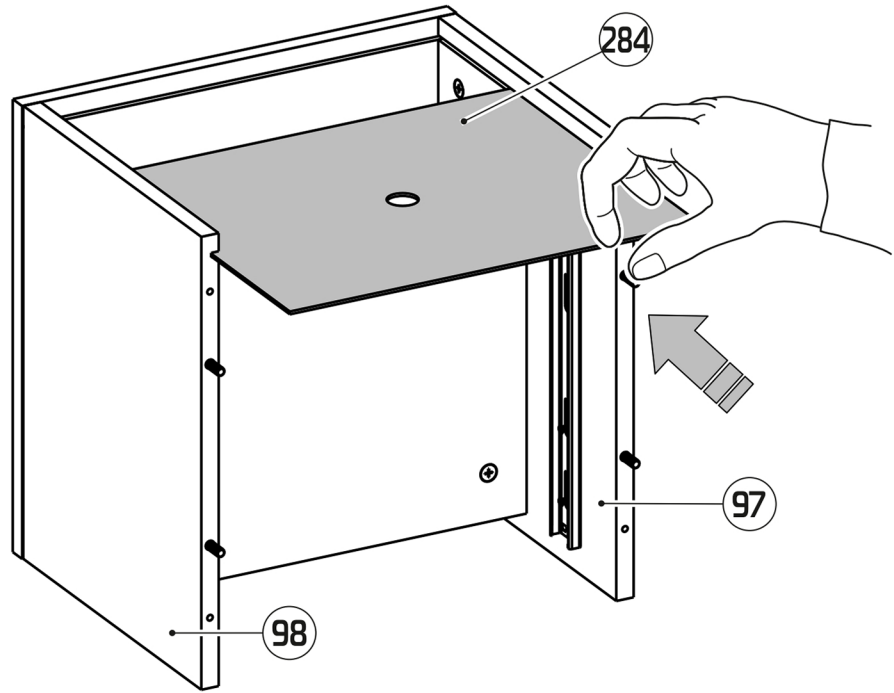
5



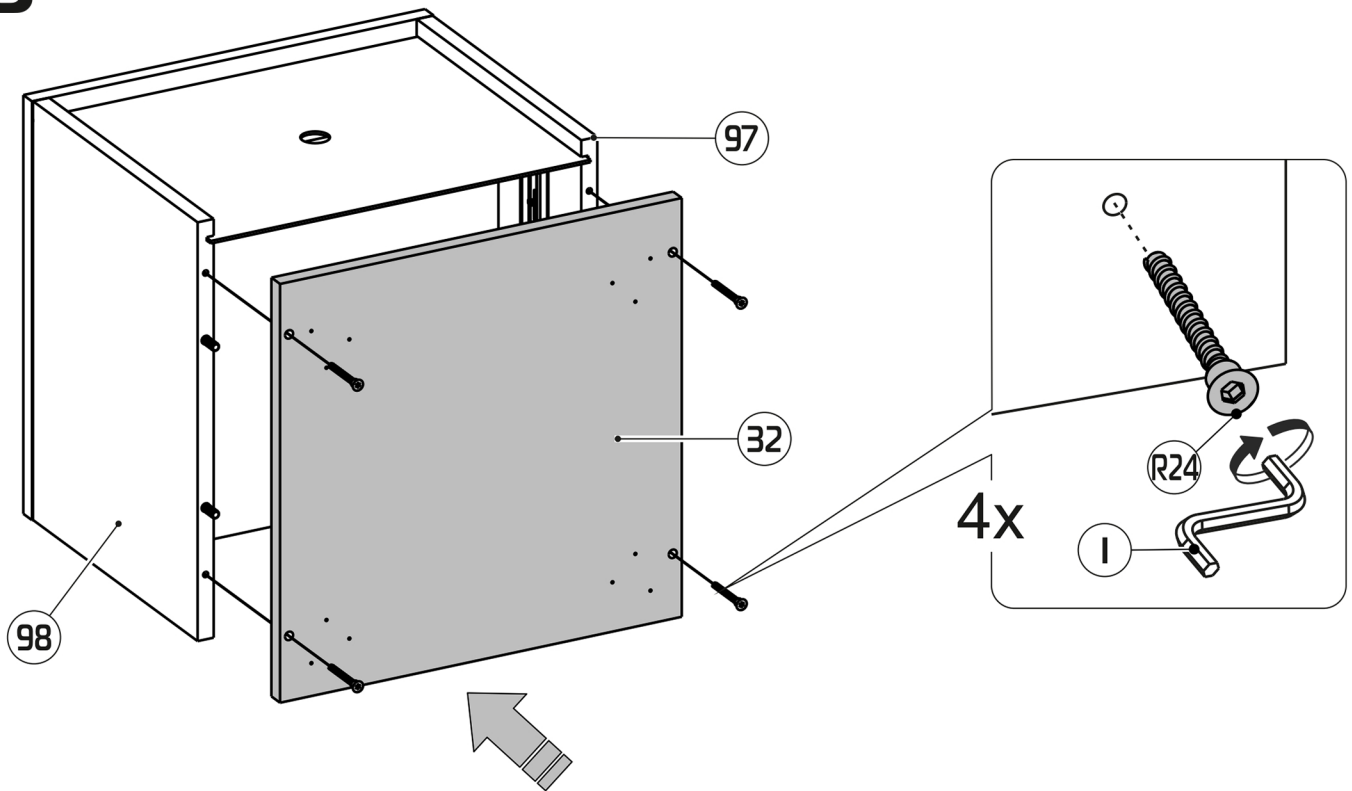
6



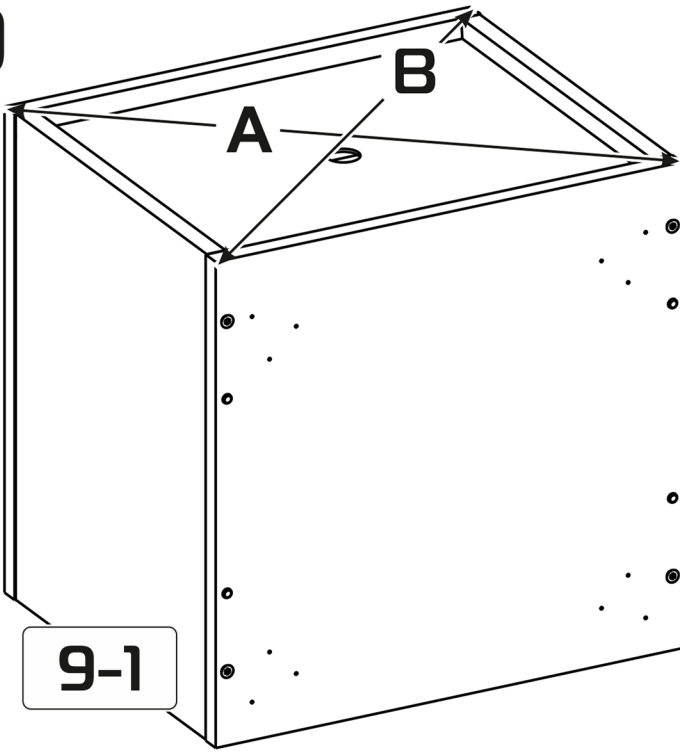
7



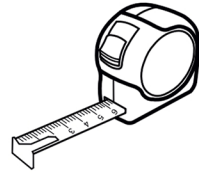
8



9

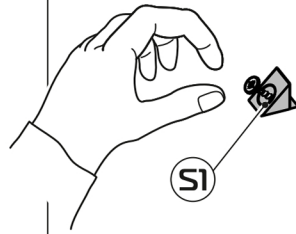


9-1



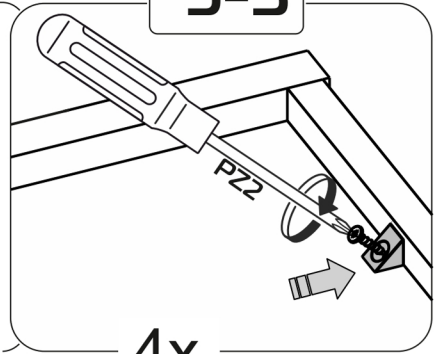
A=B

9-2

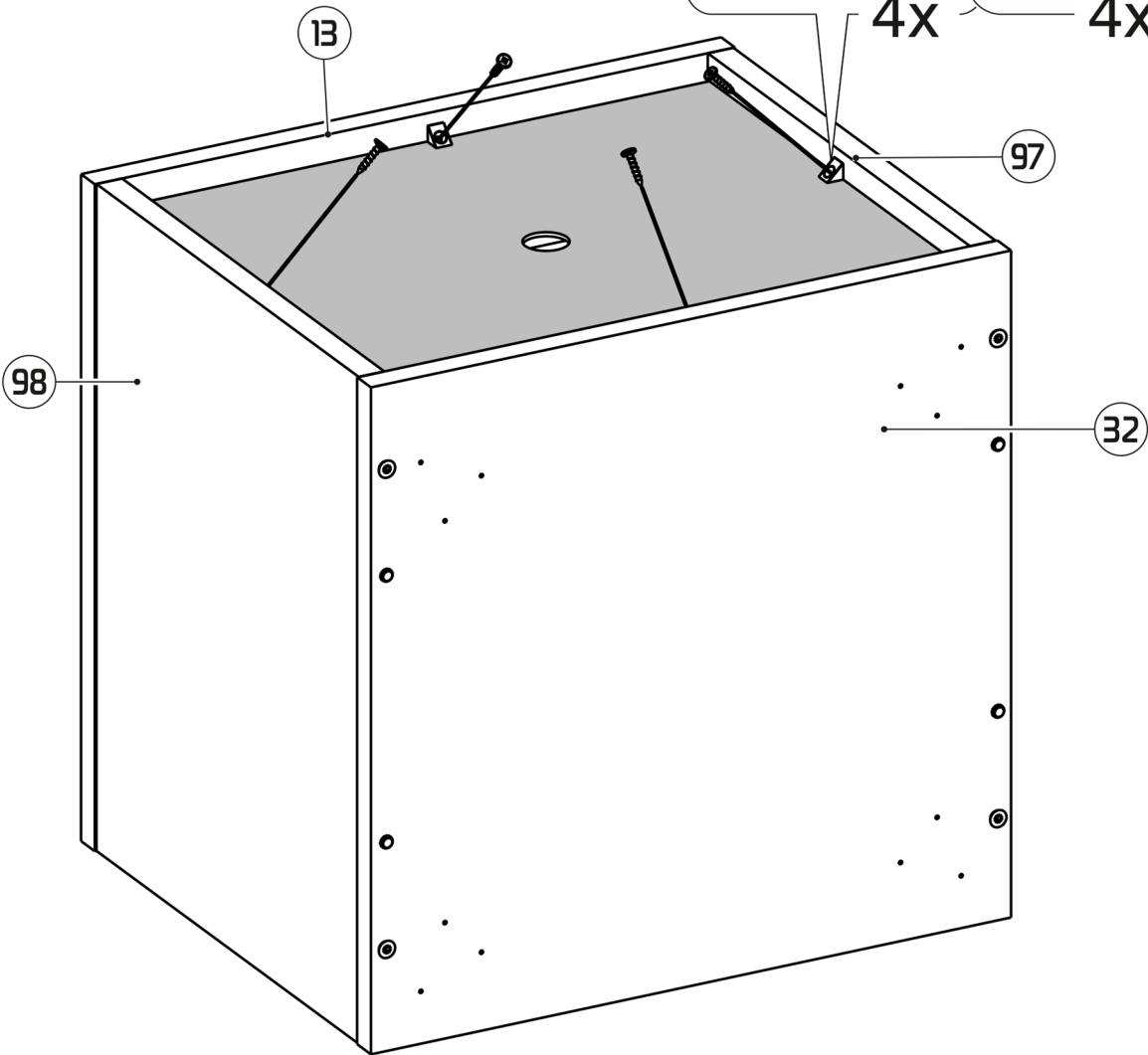


4x

9-3



4x

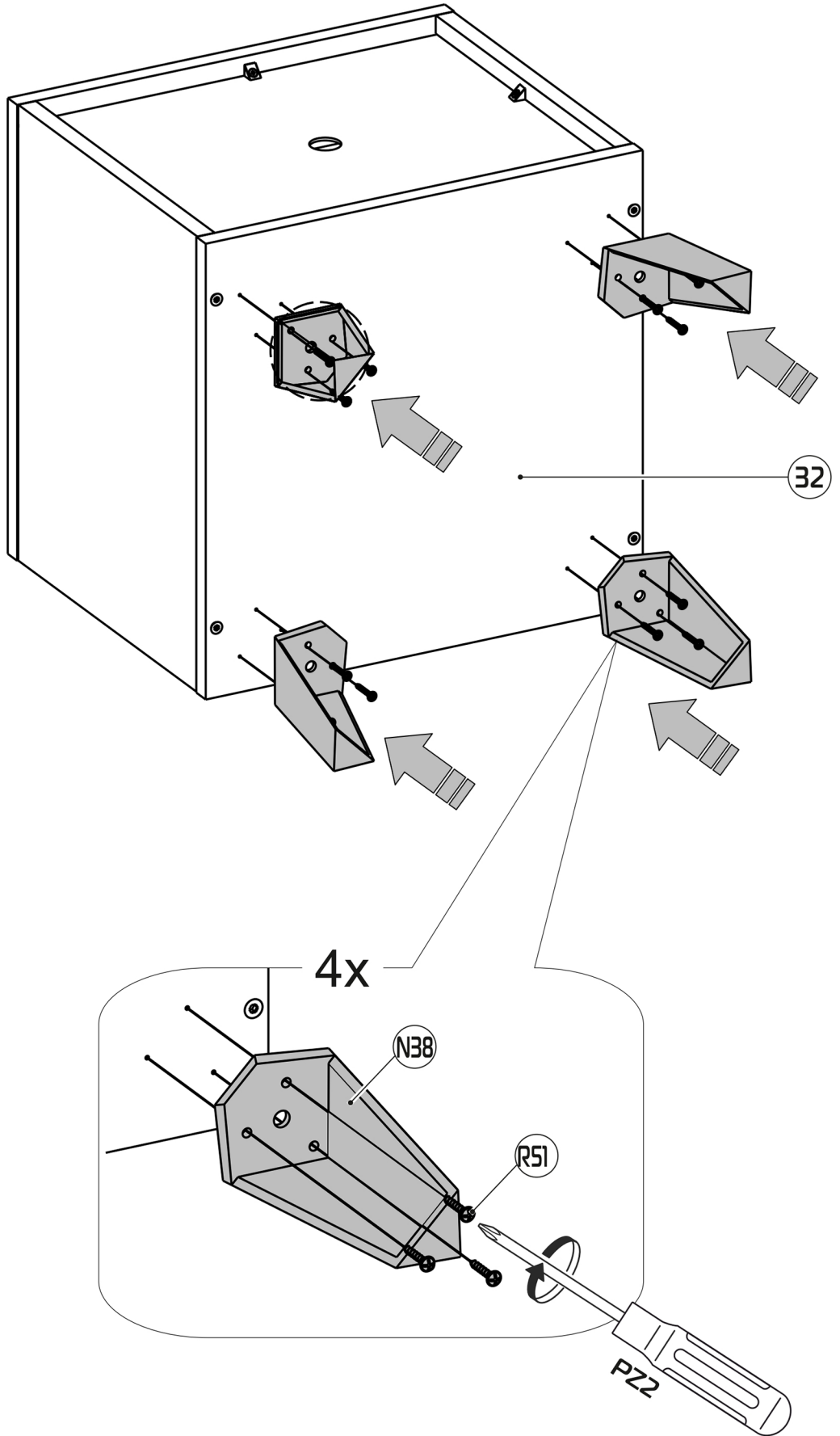


13

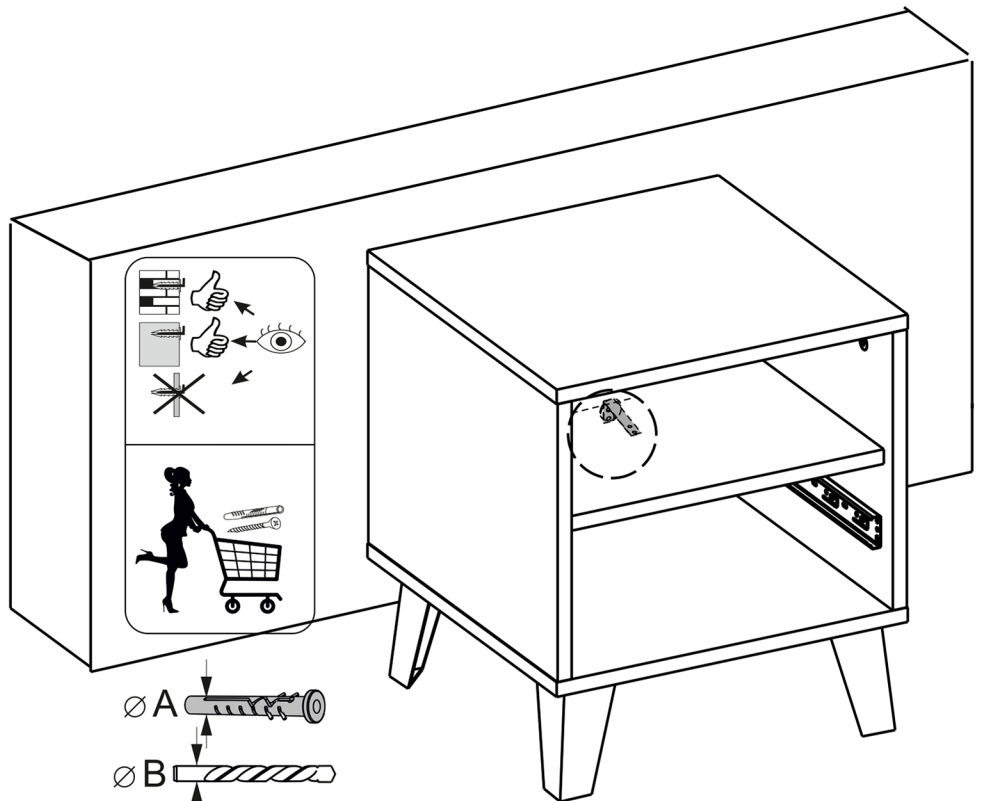
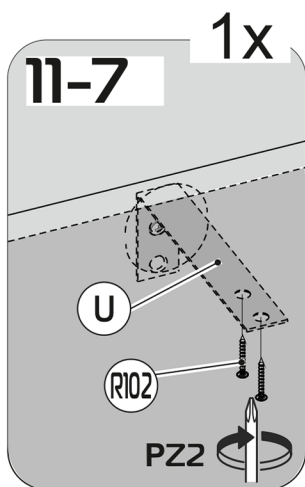
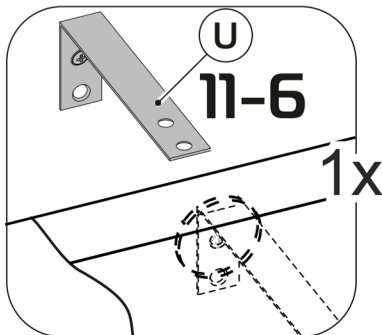
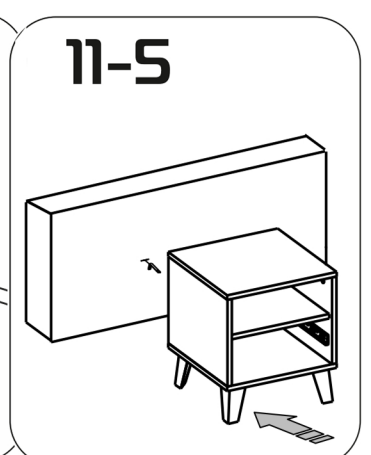
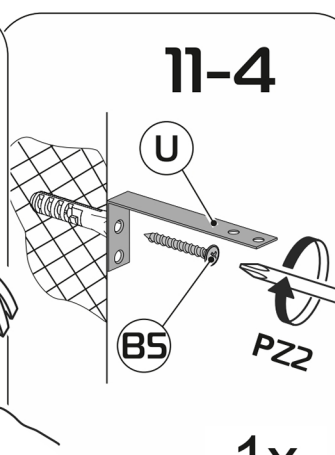
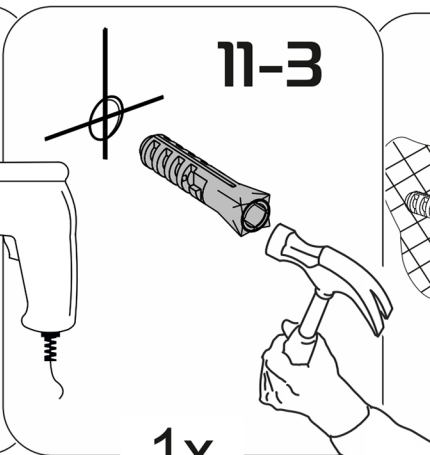
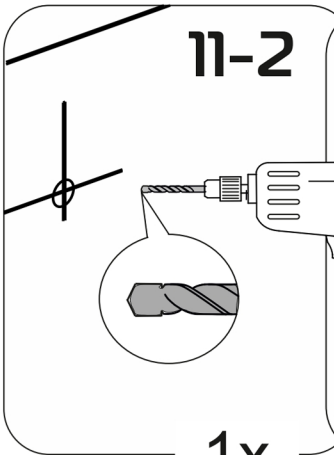
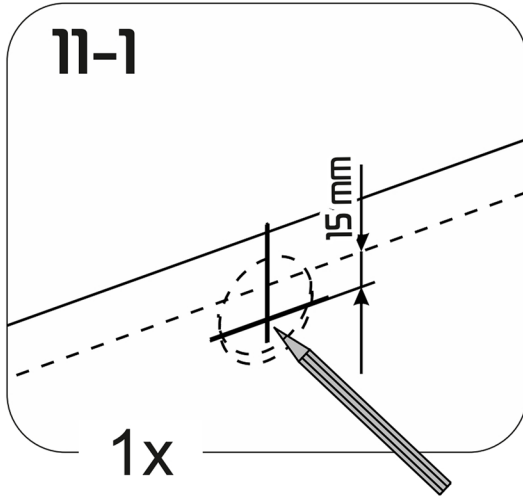
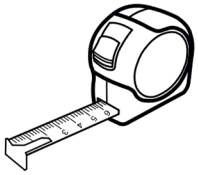
97

98

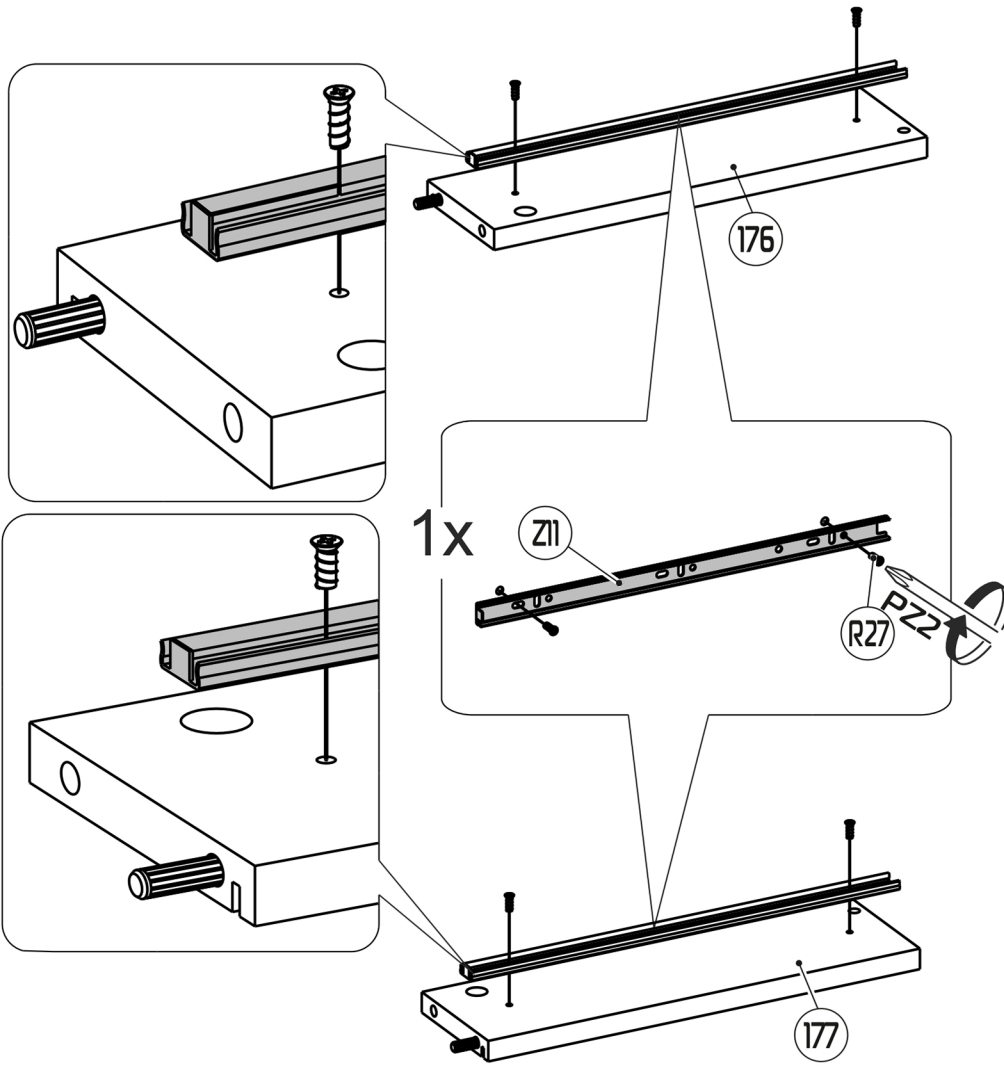
32



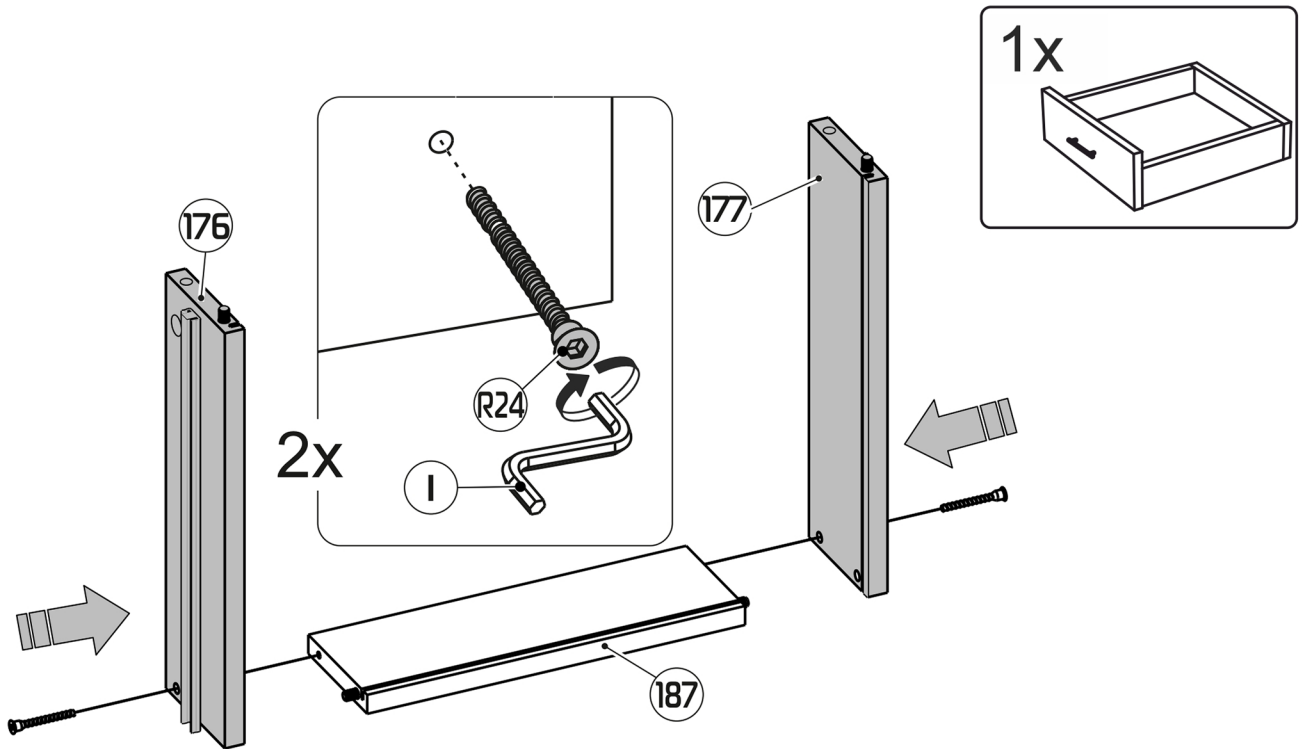
11



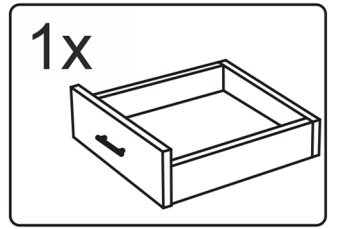
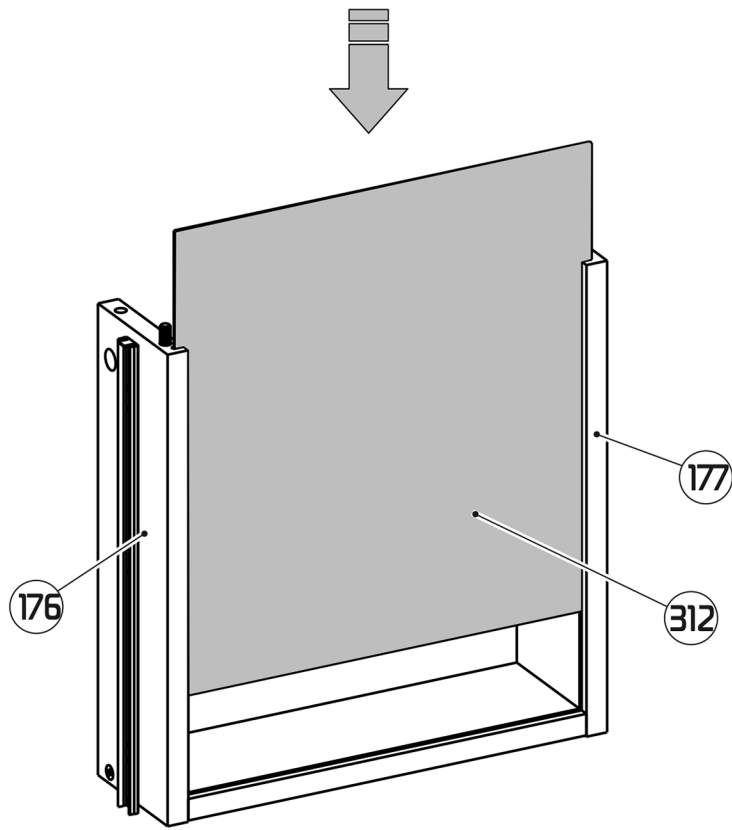
12



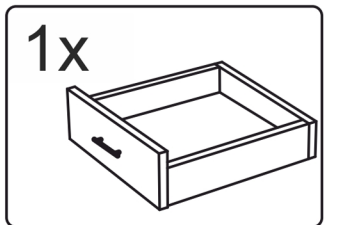
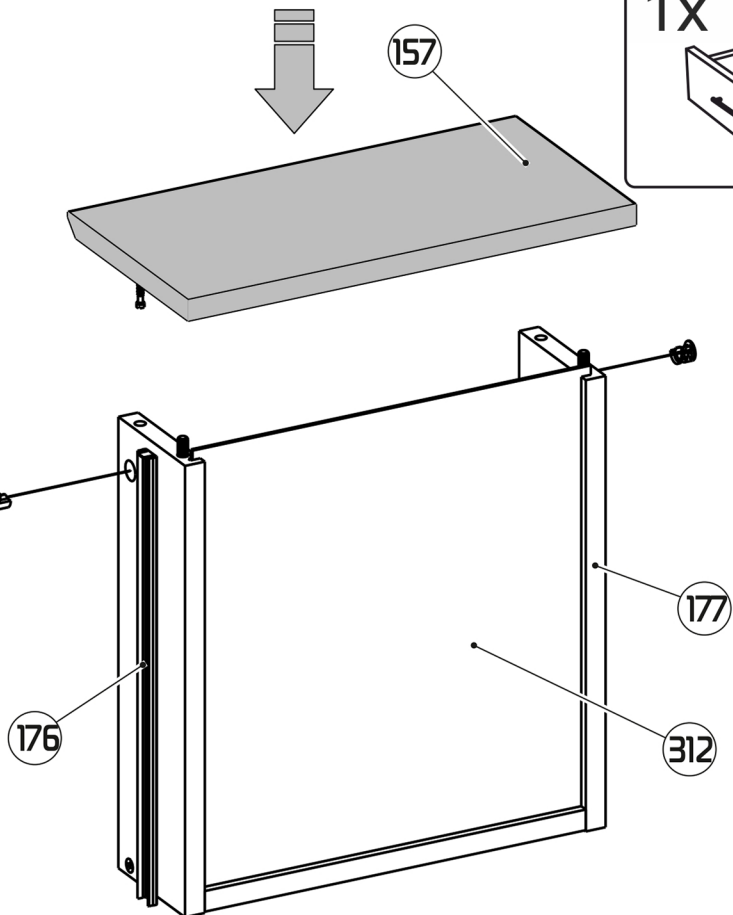
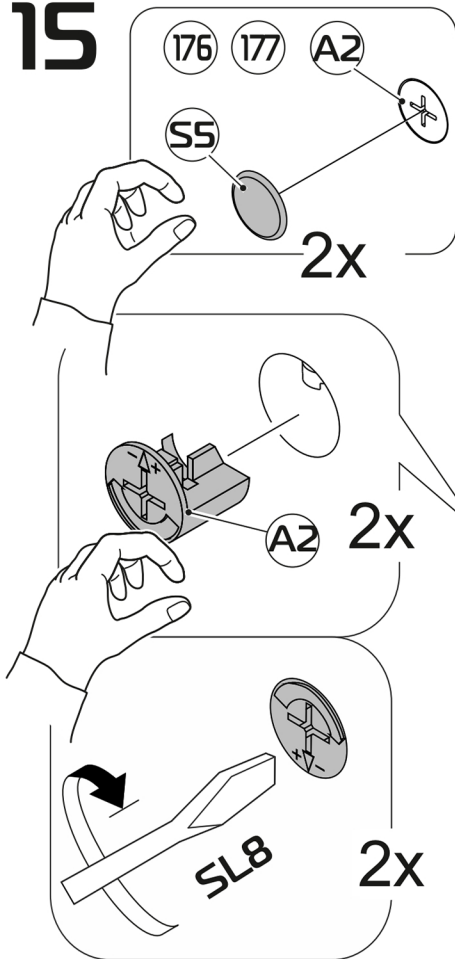
13



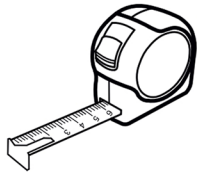
14



15

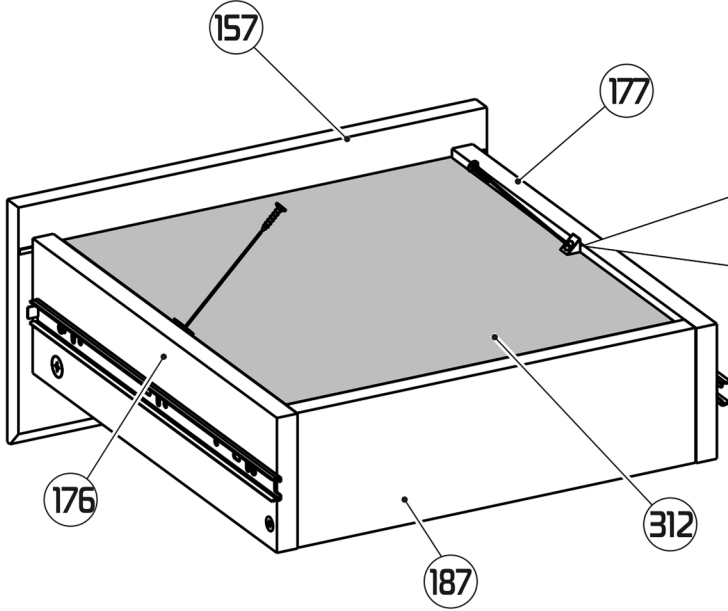
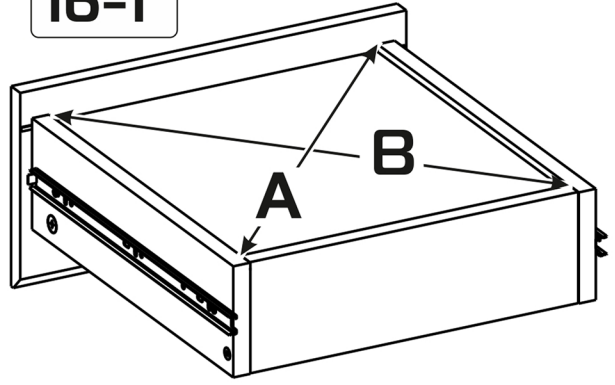


16

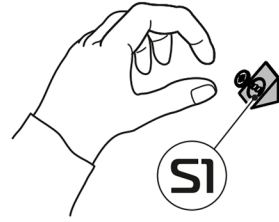


16-1

$A=B$

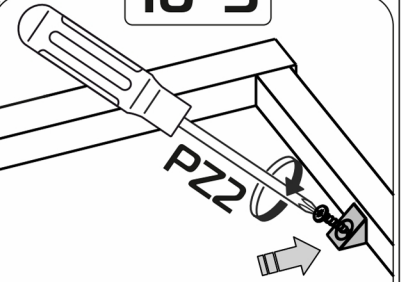


16-2



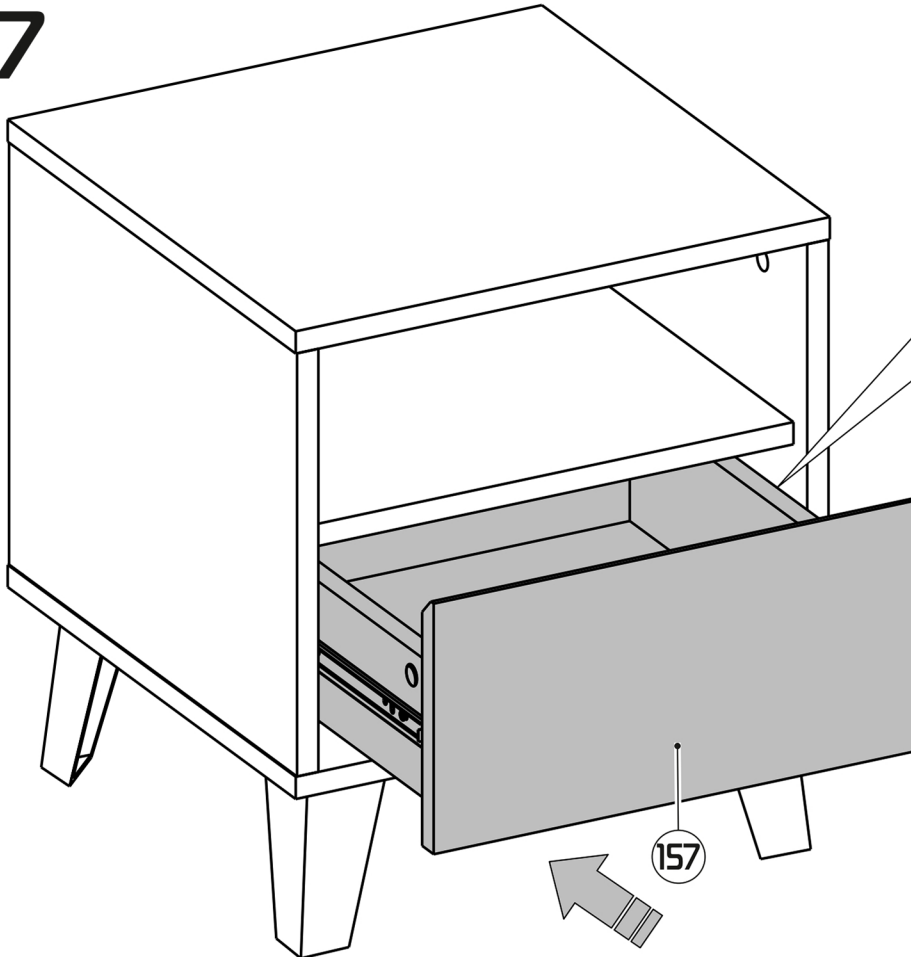
2x

16-3



2x

17



1x

