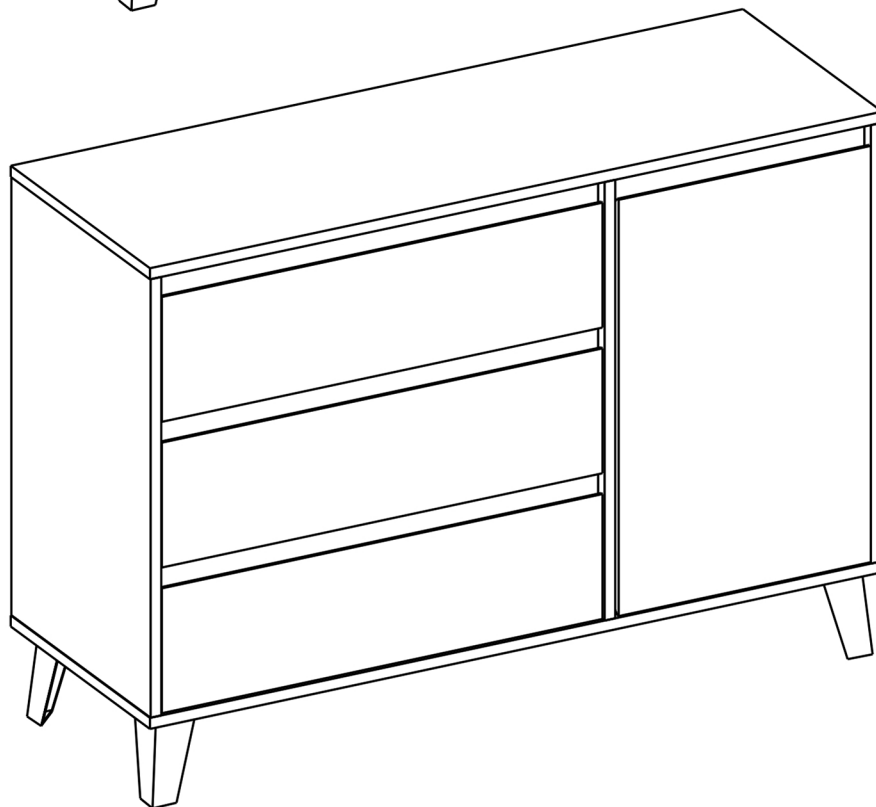
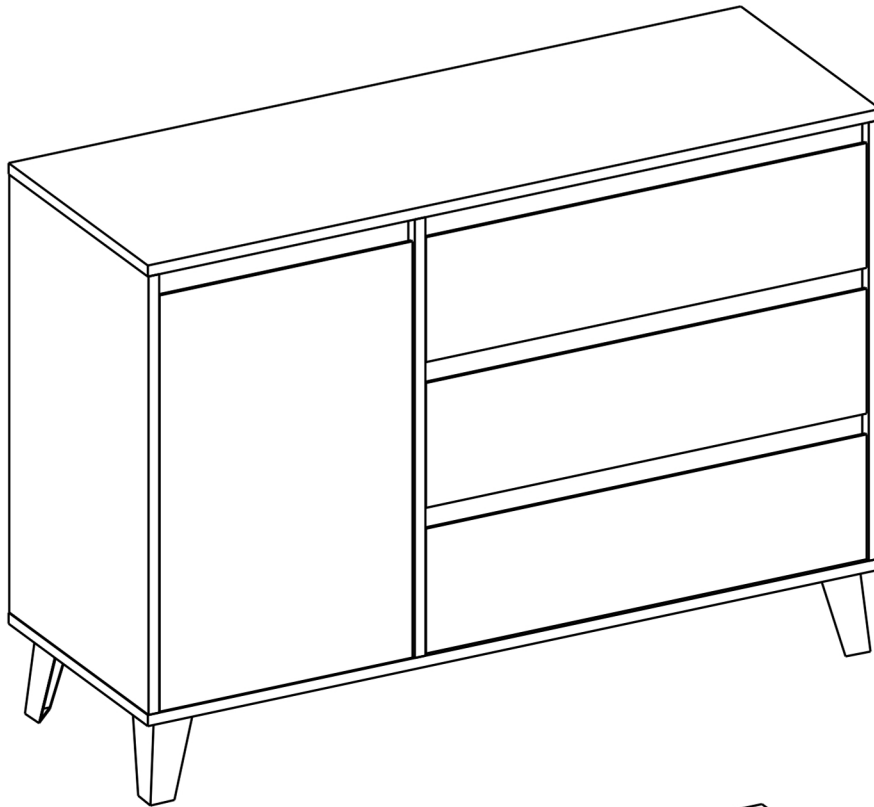
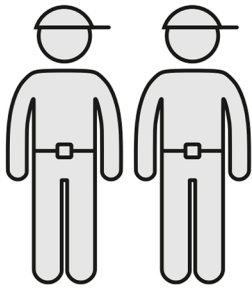
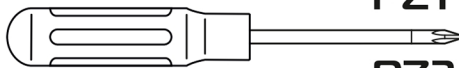
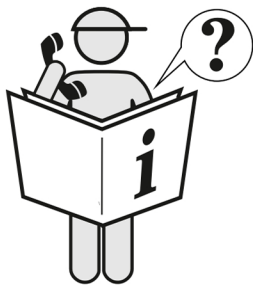
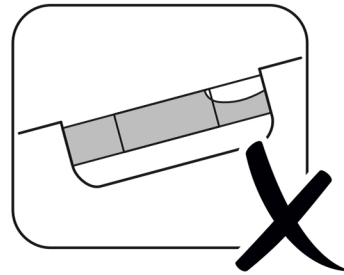
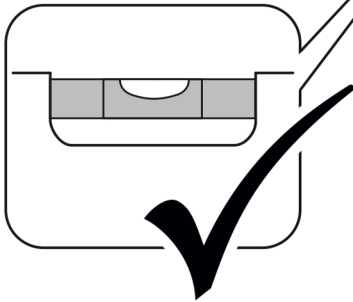
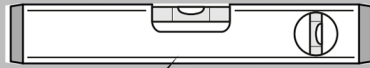
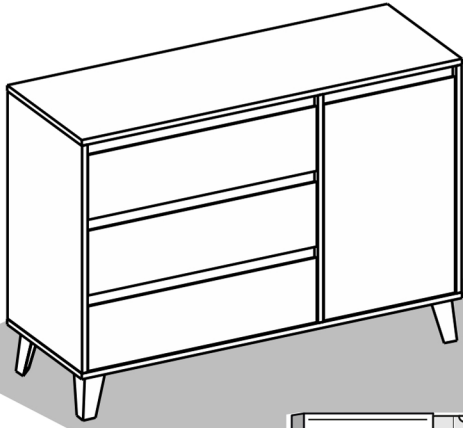
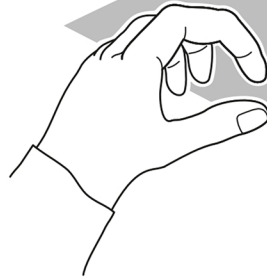
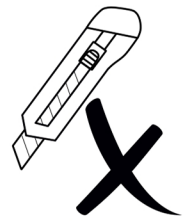


BOGAN 1D3S



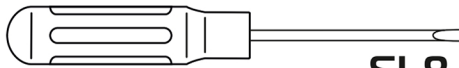


90 min

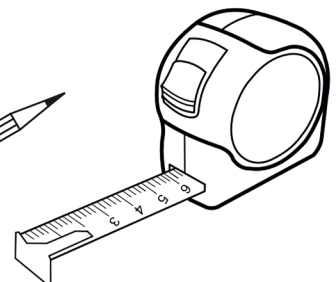
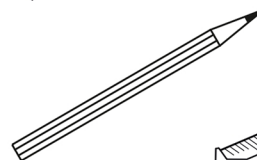
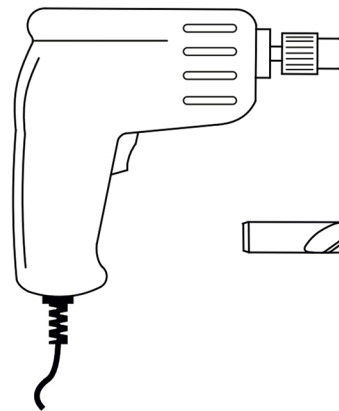
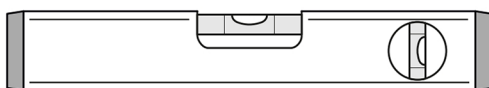
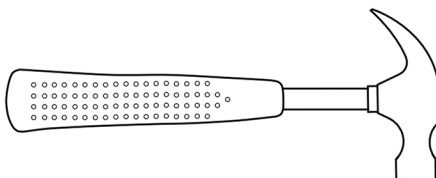


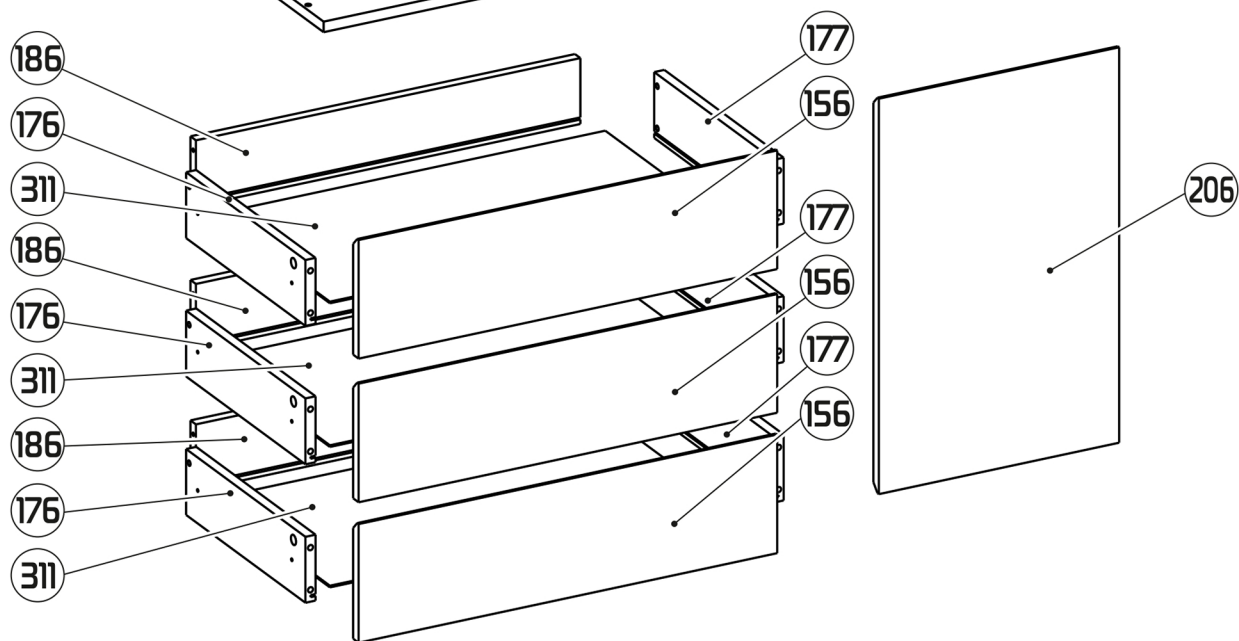
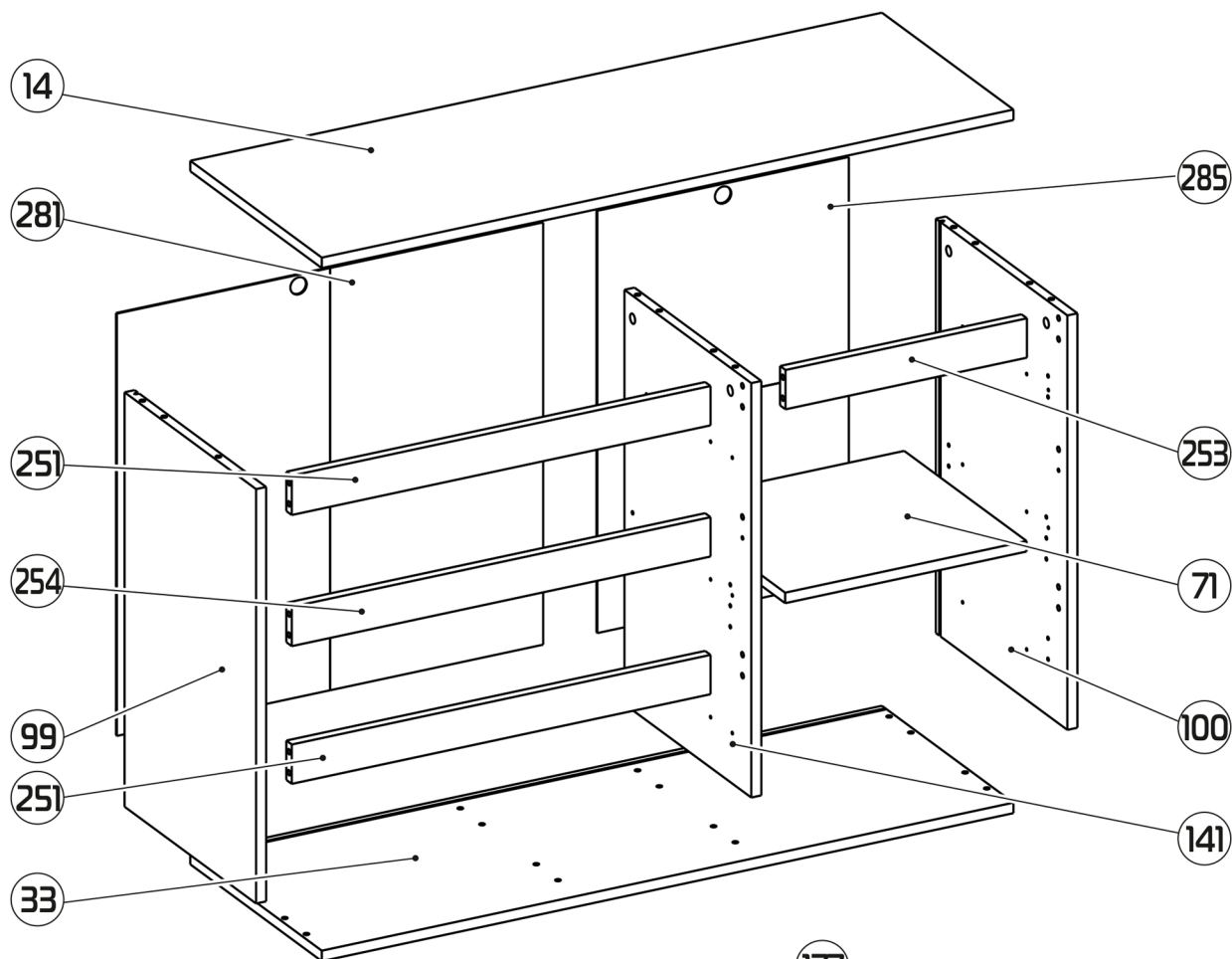
PZ1

PZ2



SL8





14 1100x389x16 (x1)

33 1100x389x16 (x1)

71 384x355x16 (x1)

99 632x388x16 (x1)

100 632x388x16 (x1)

141 632x374x16 (x1)

156 662x180x16 (x3)

176 350x100x16 (x3)

177 350x100x16 (x3)

186 608x100x16 (x3)

206 380x600x16 (x1)

251 666x60x16 (x2)

253 384x60x16 (x1)

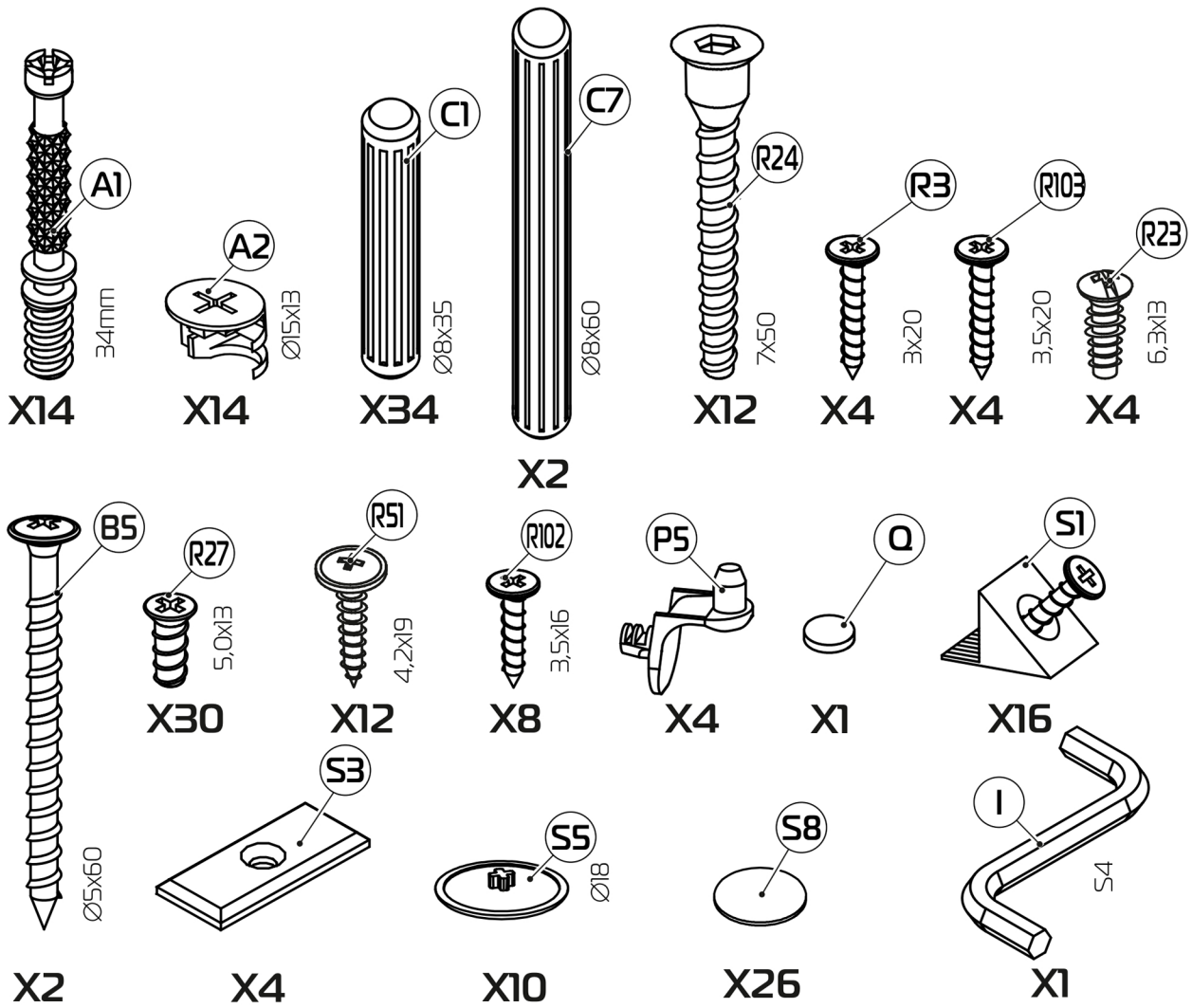
254 666x60x16(x1)

281 644x678x2,5 (x1)

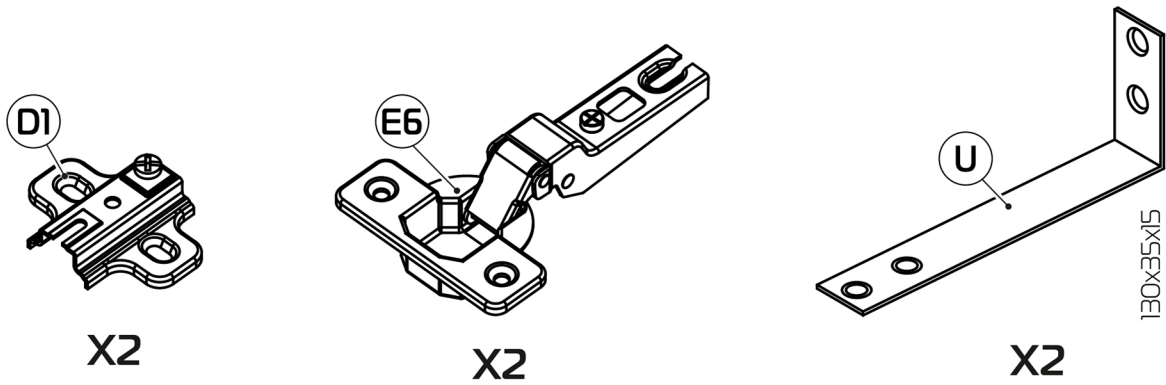
285 644x400x2,5 (x1)

311 662x346x2,5 (x3)

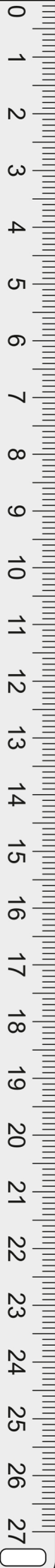
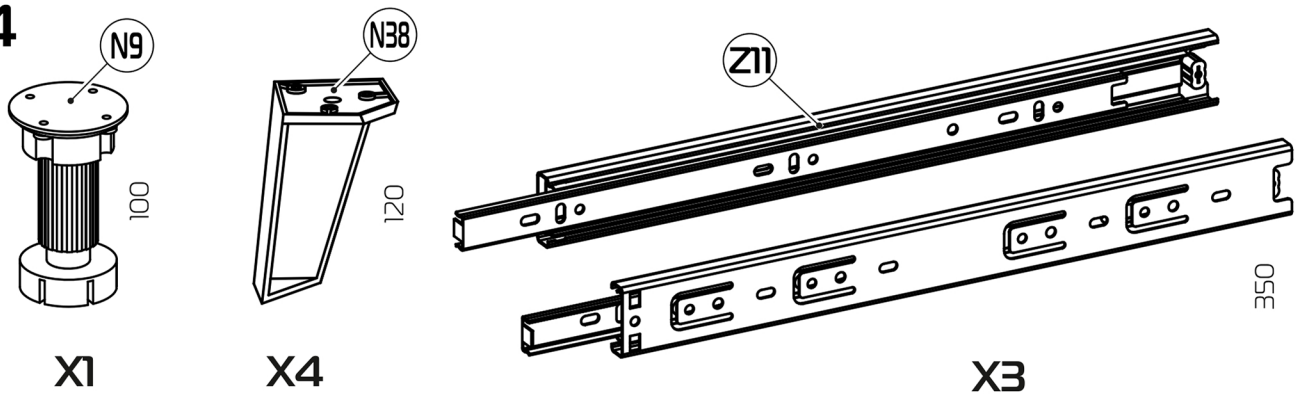
1:1



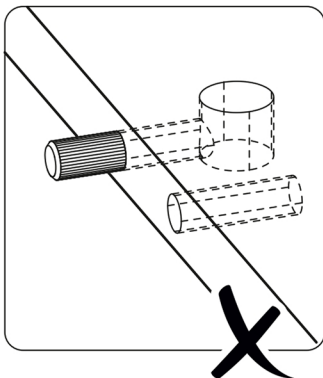
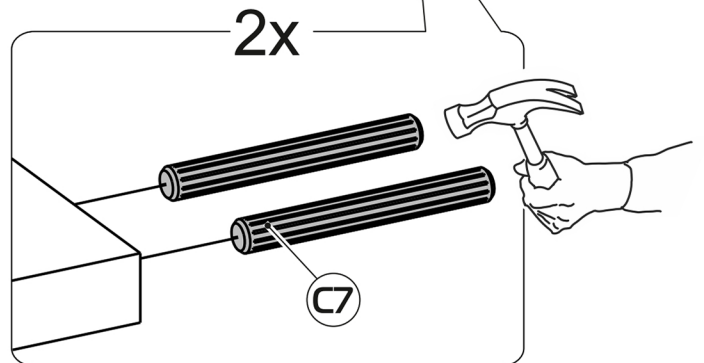
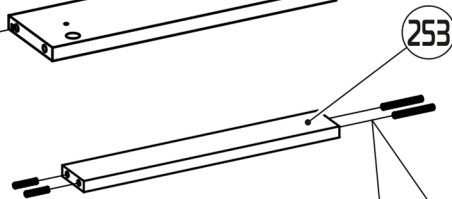
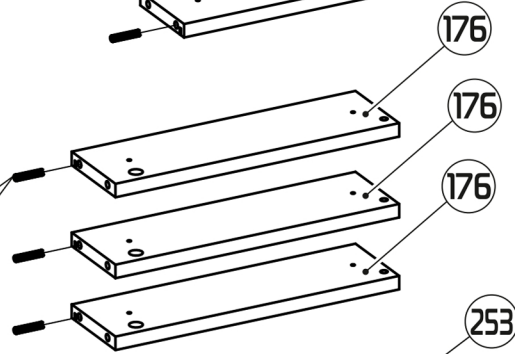
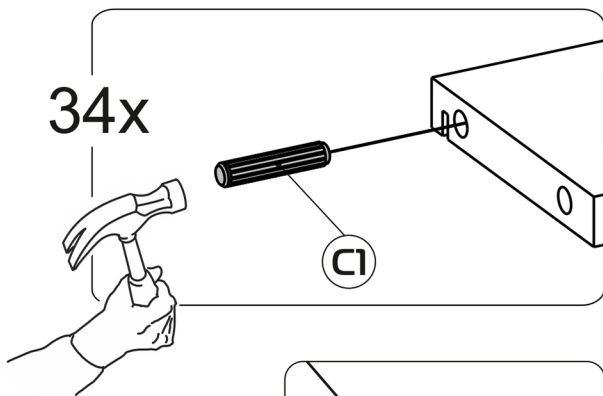
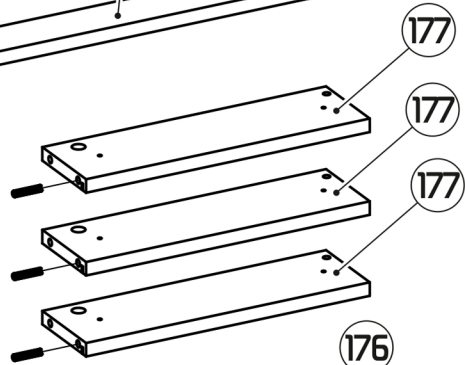
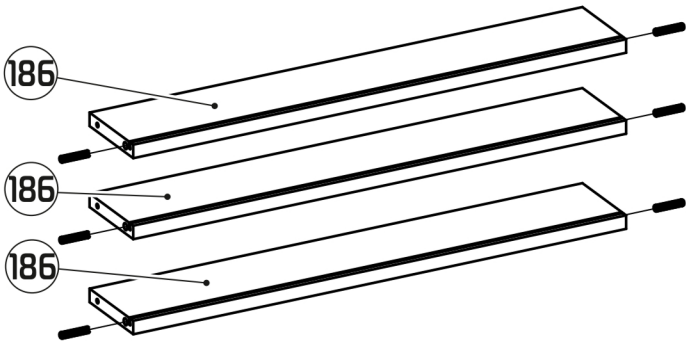
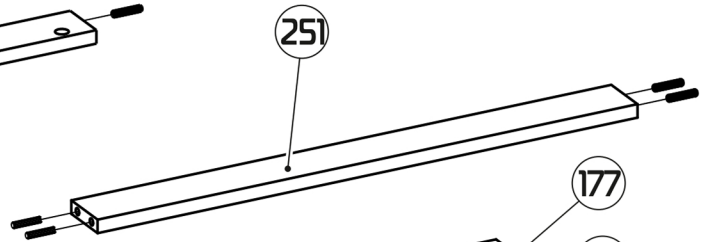
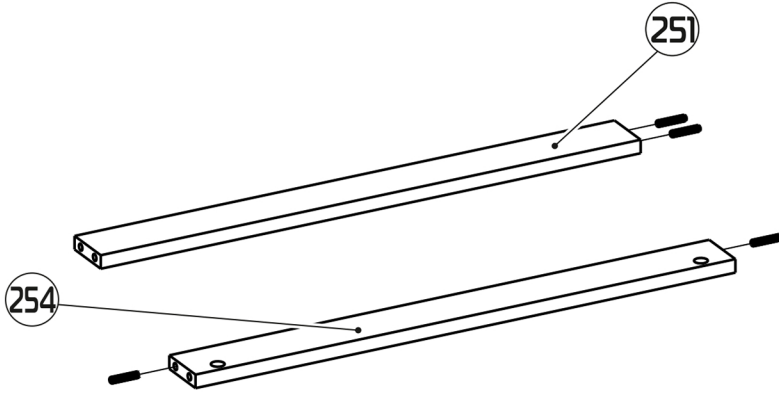
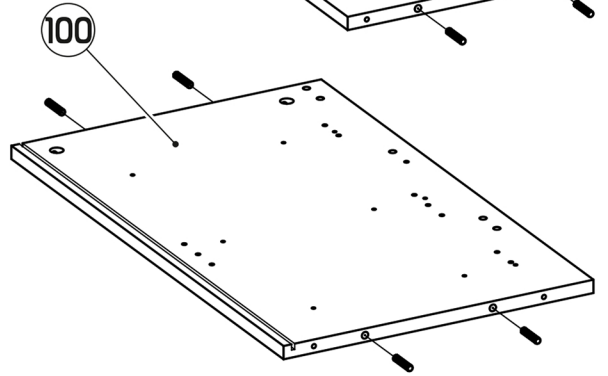
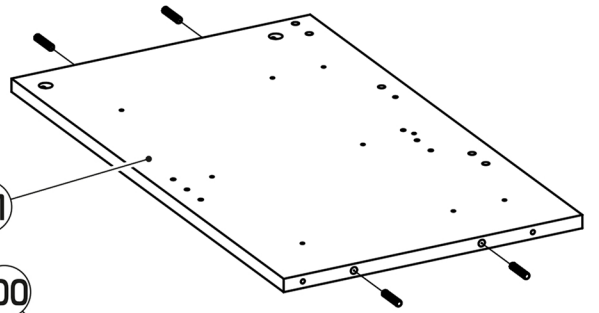
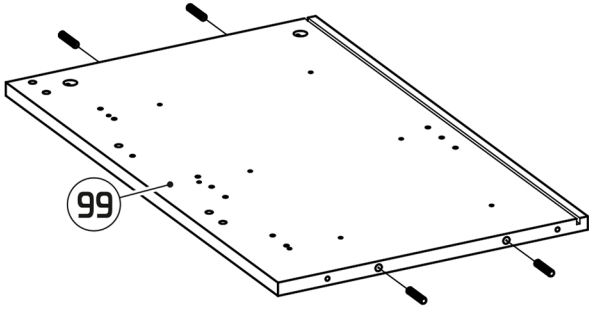
1:2



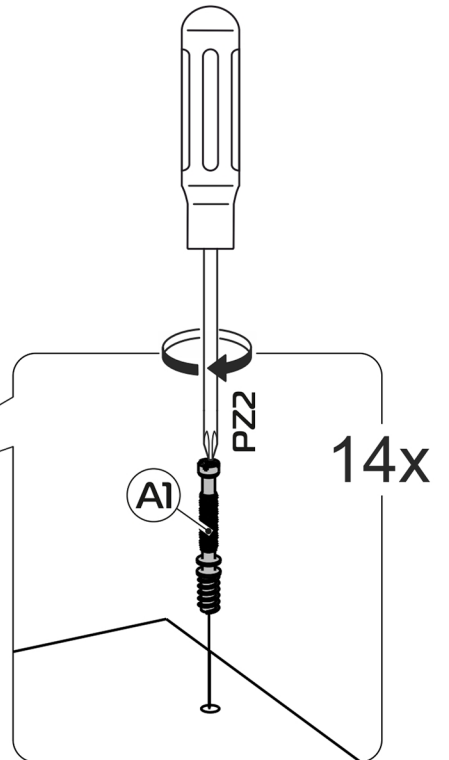
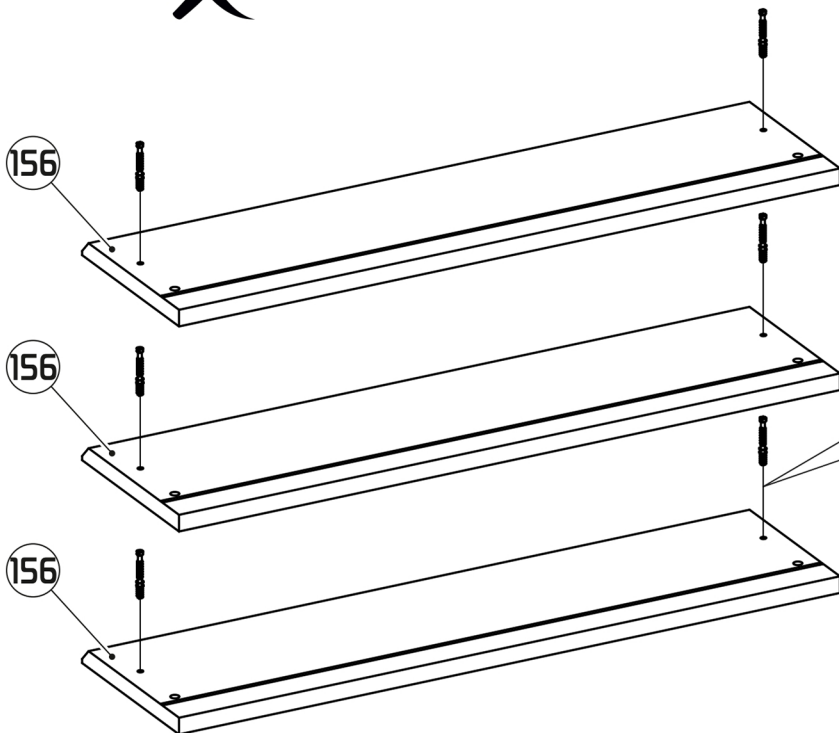
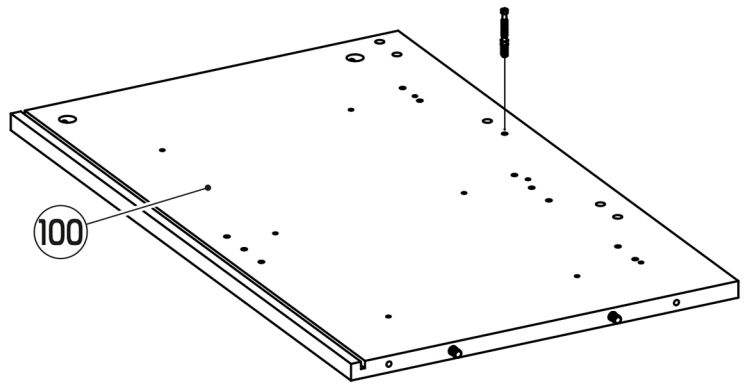
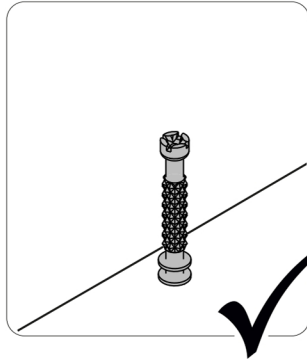
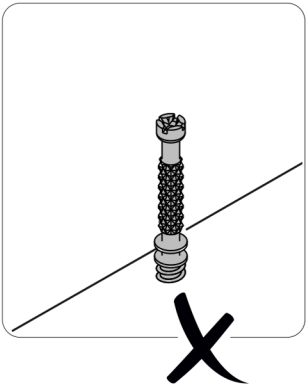
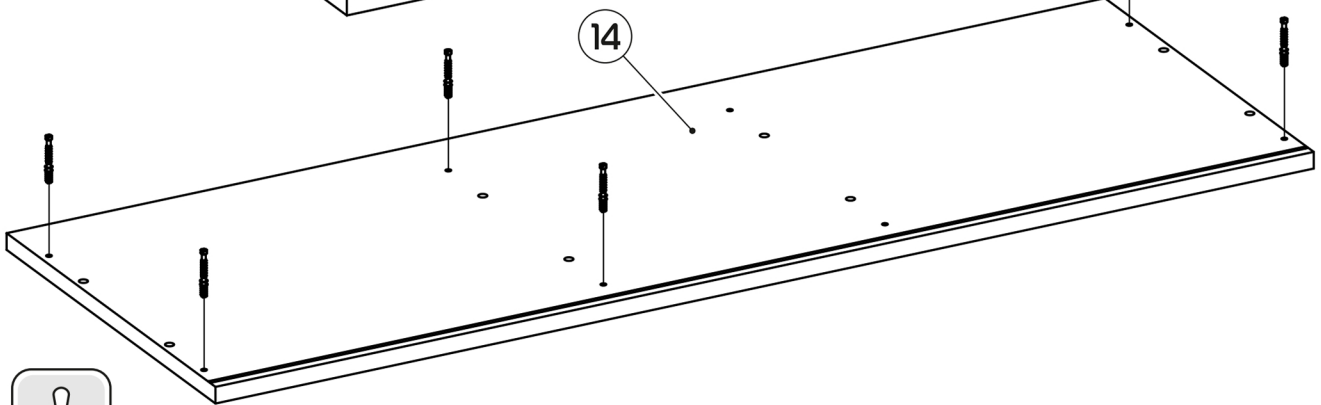
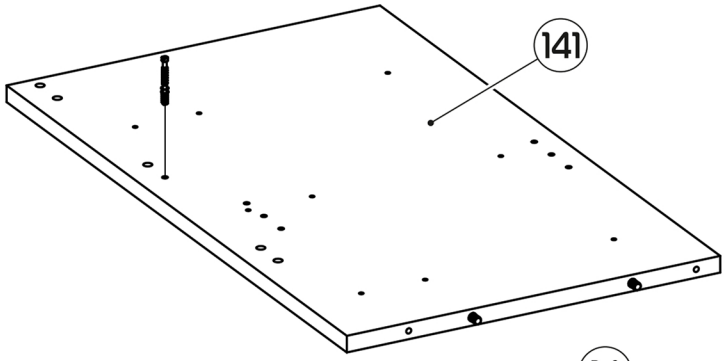
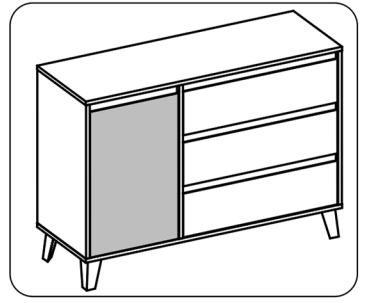
1:4



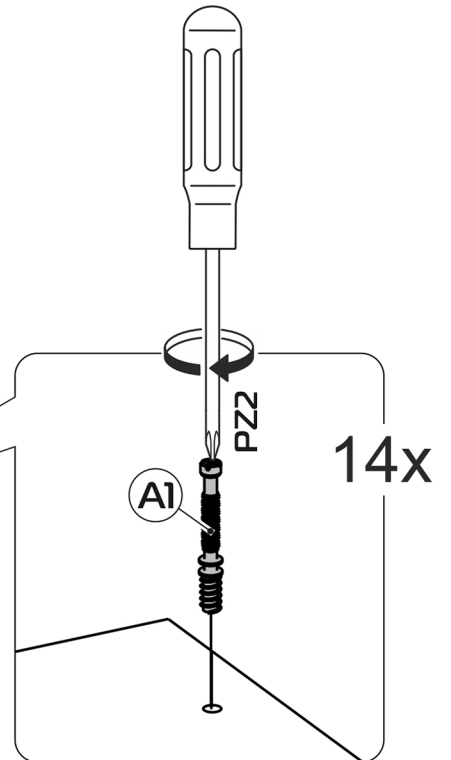
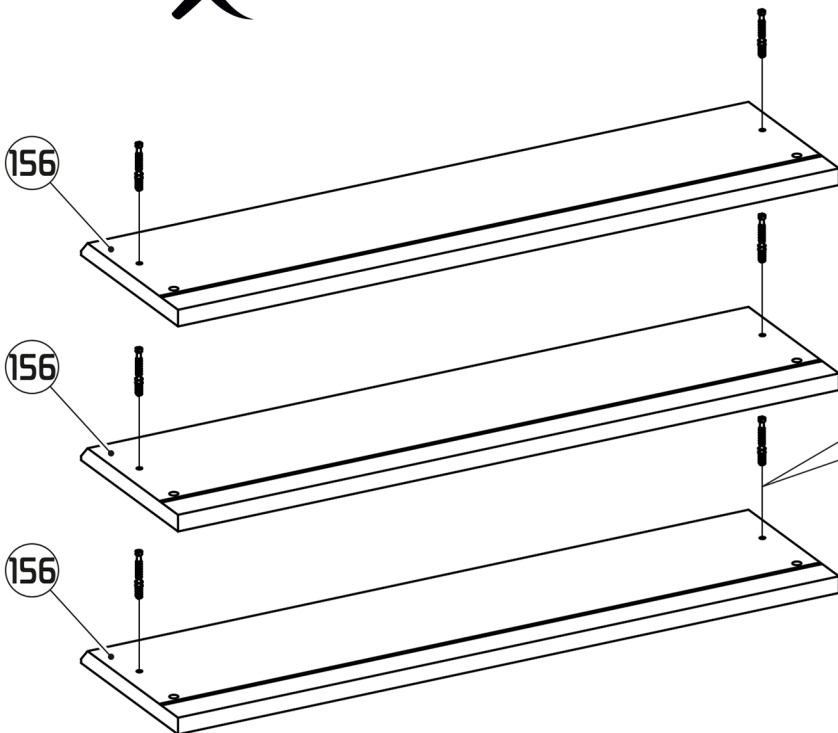
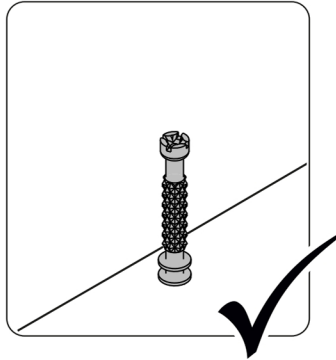
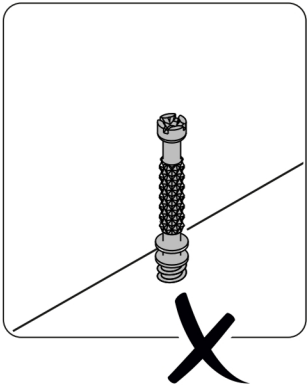
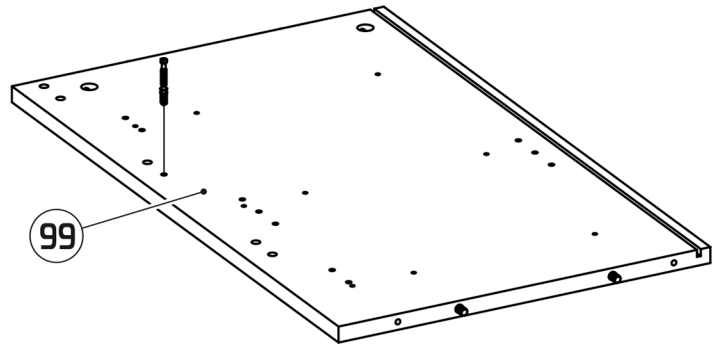
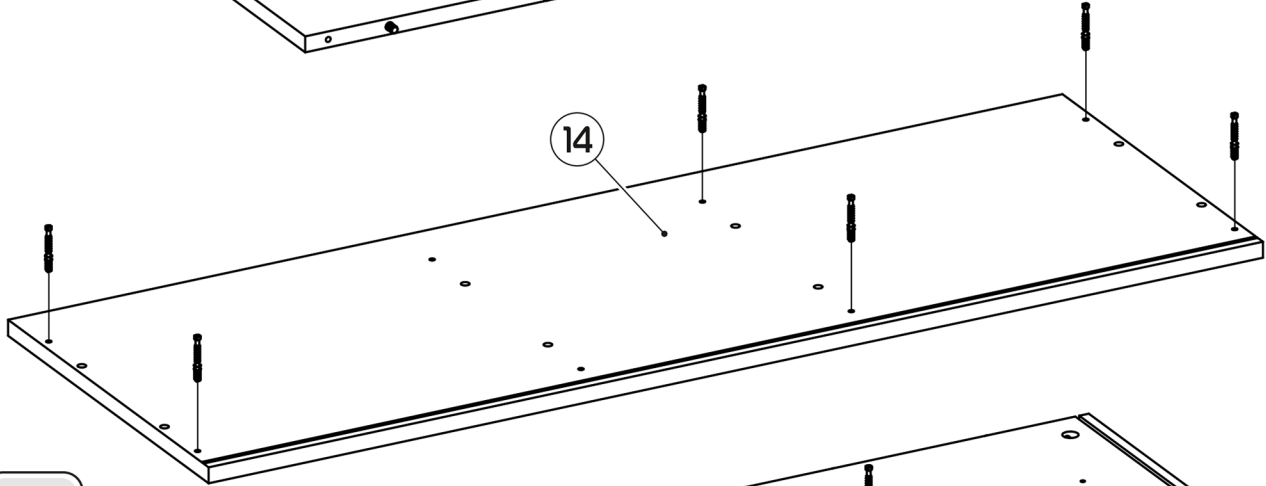
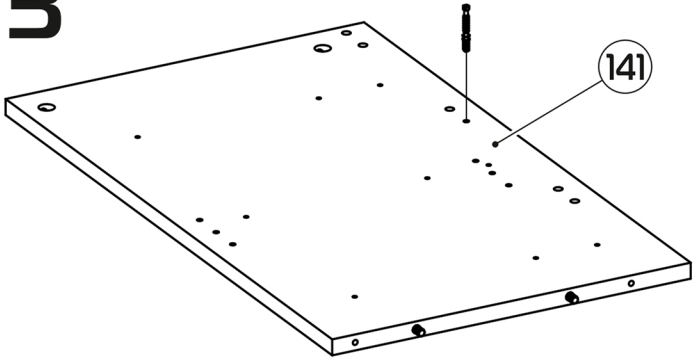
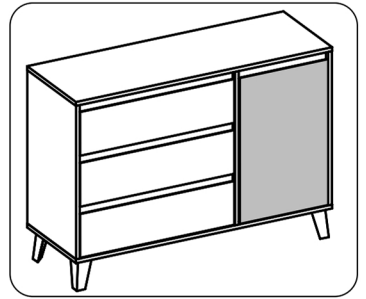
1



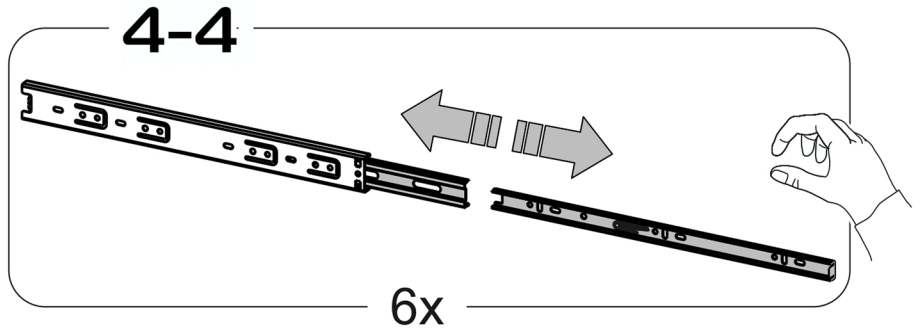
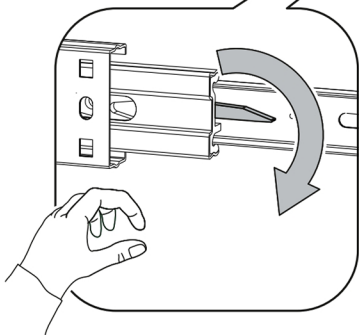
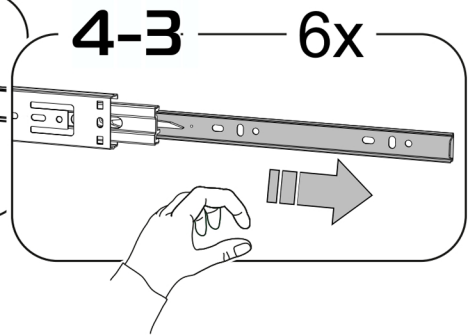
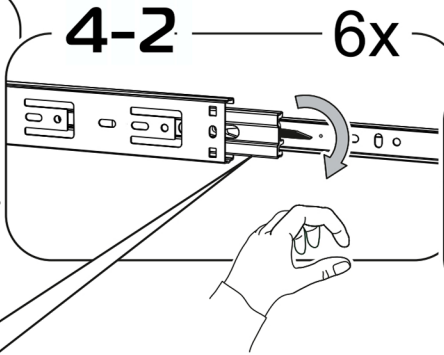
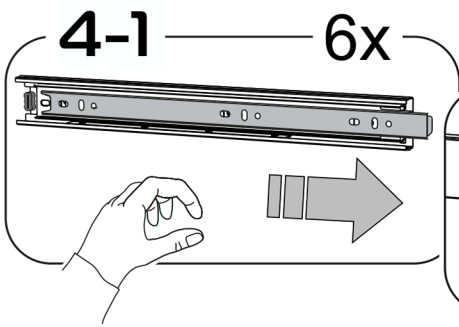
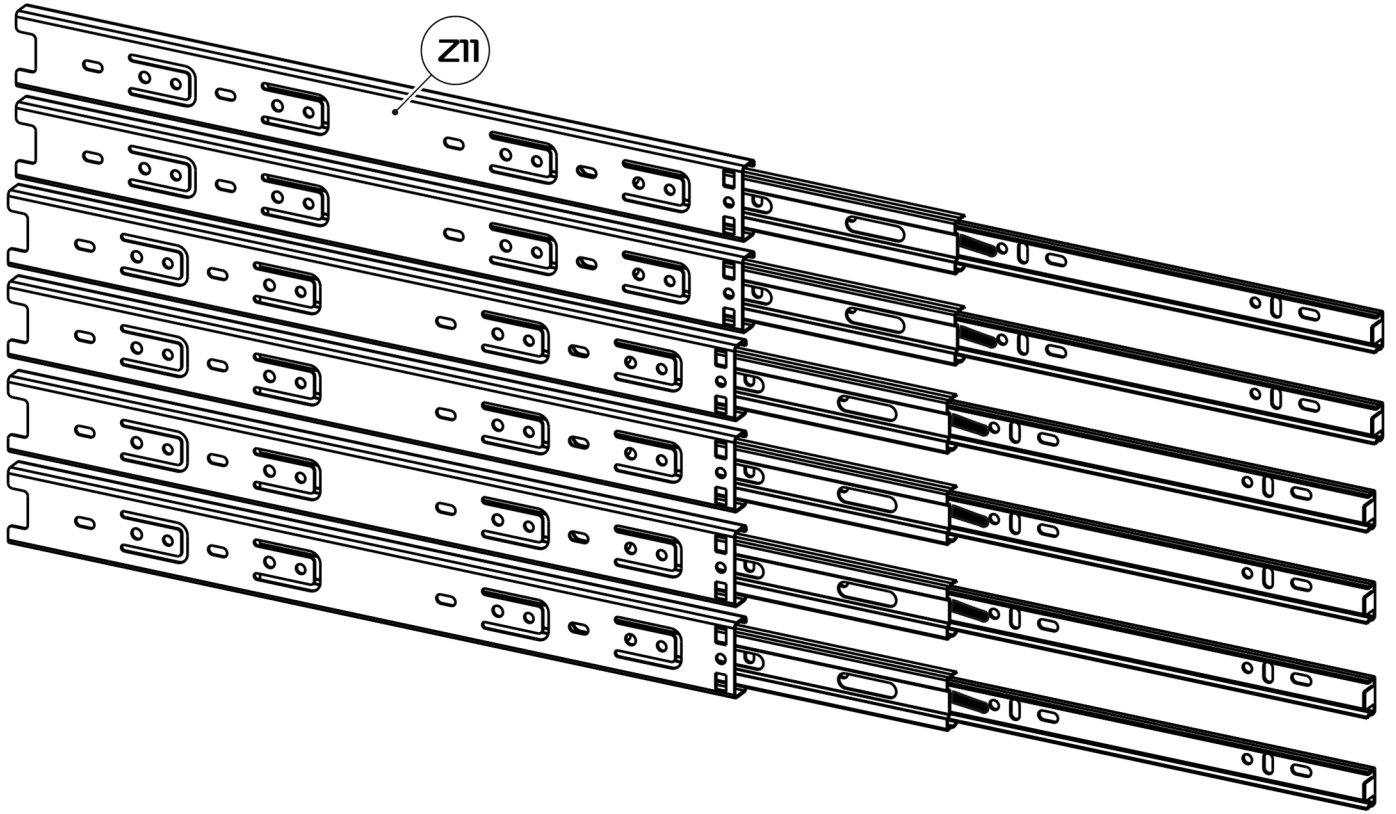
2



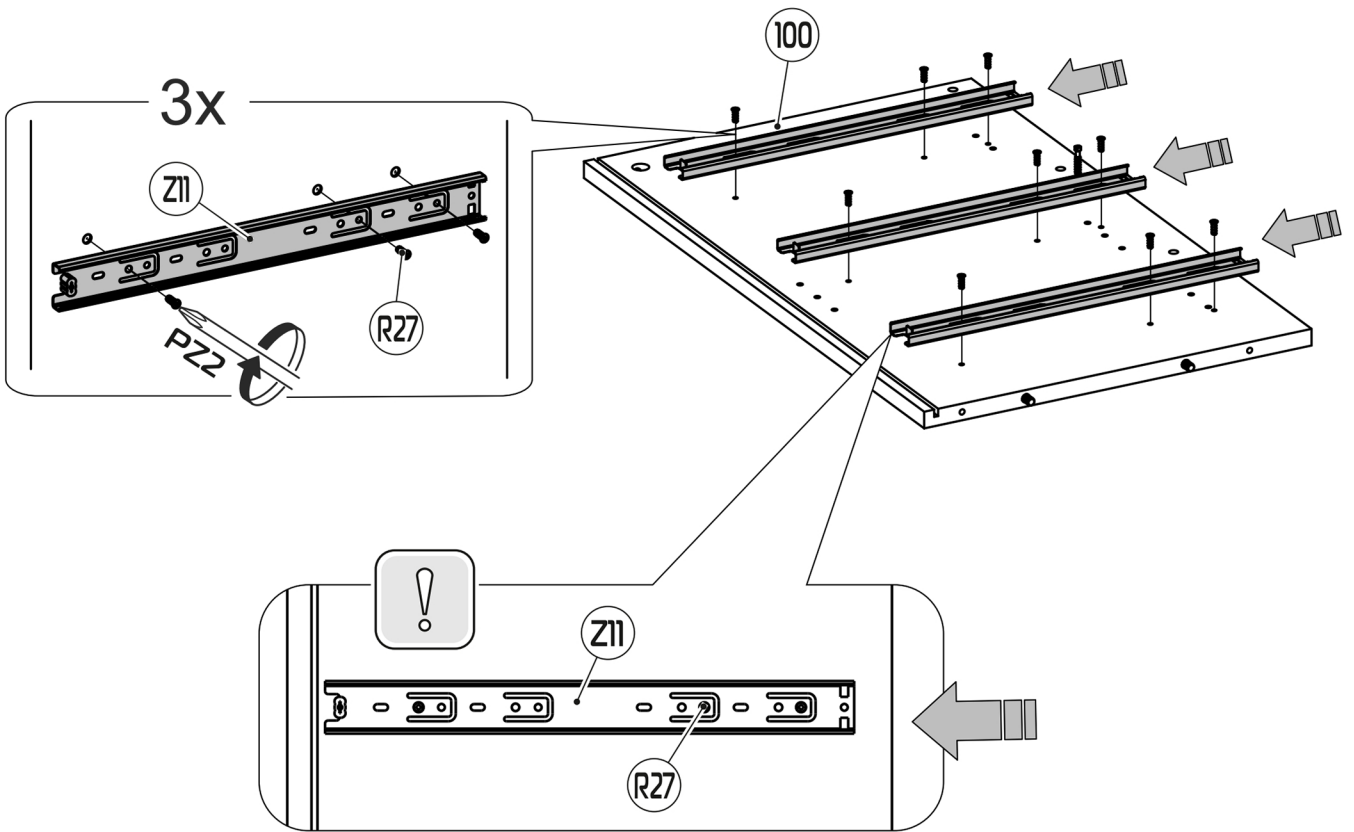
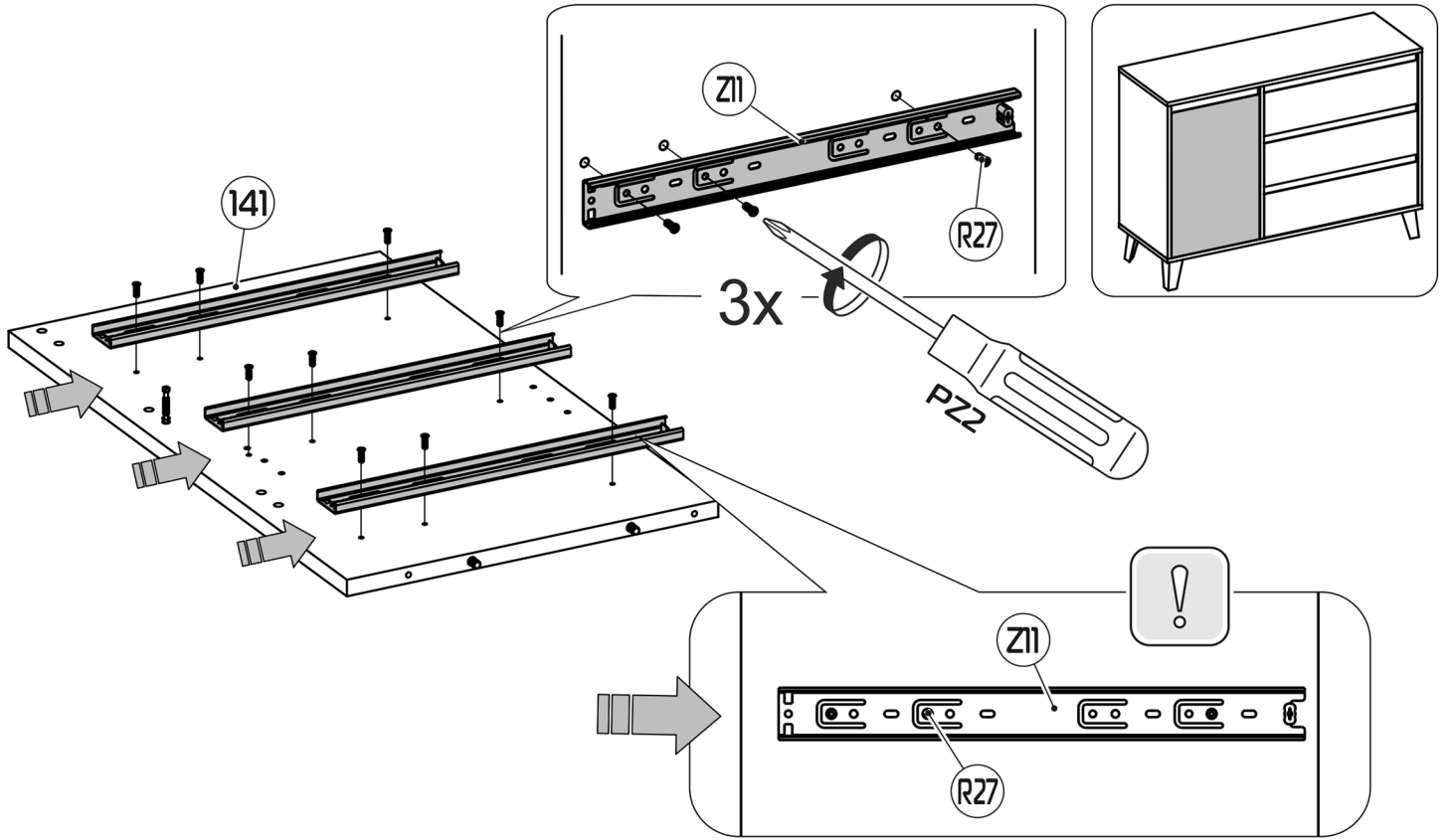
3



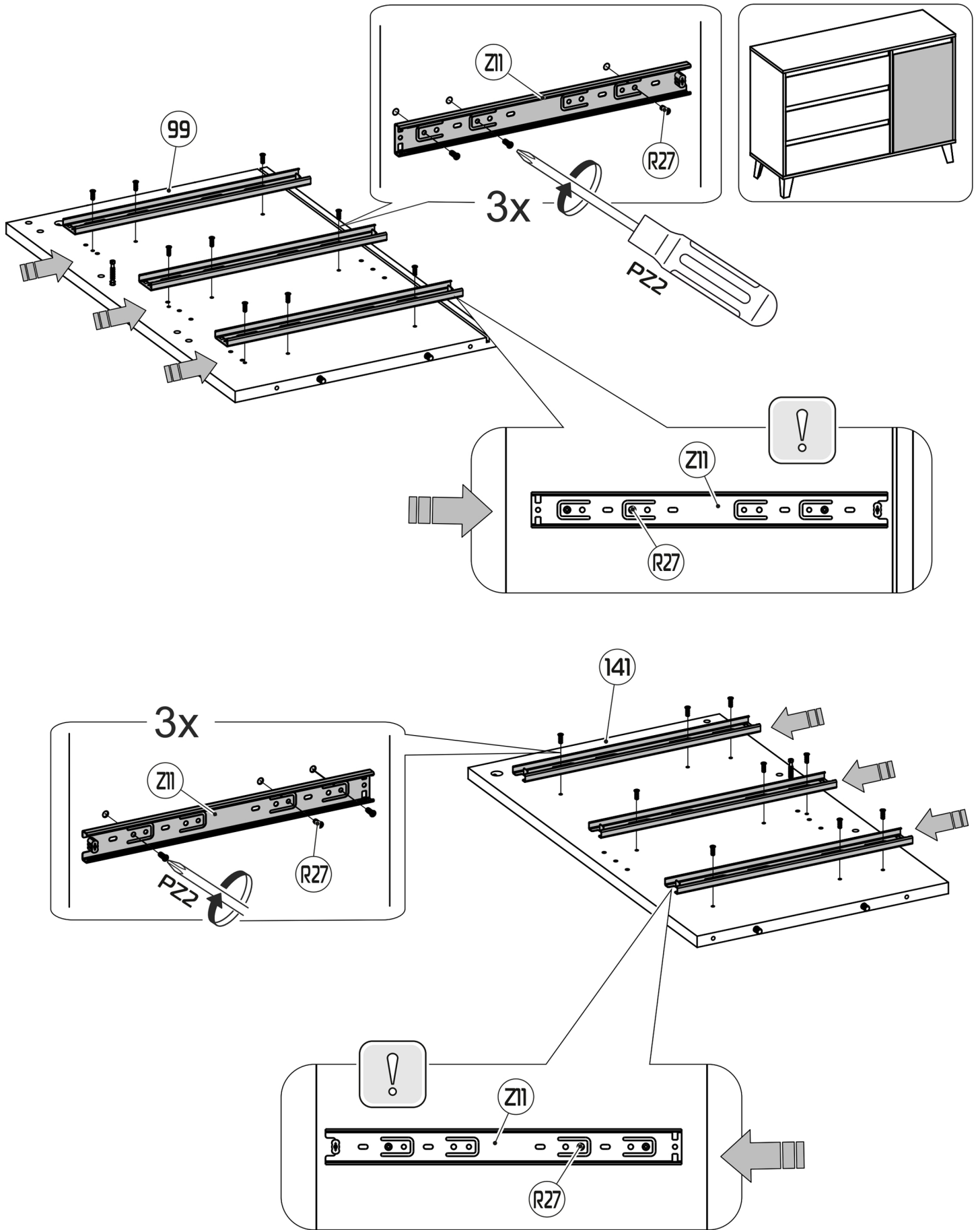
4



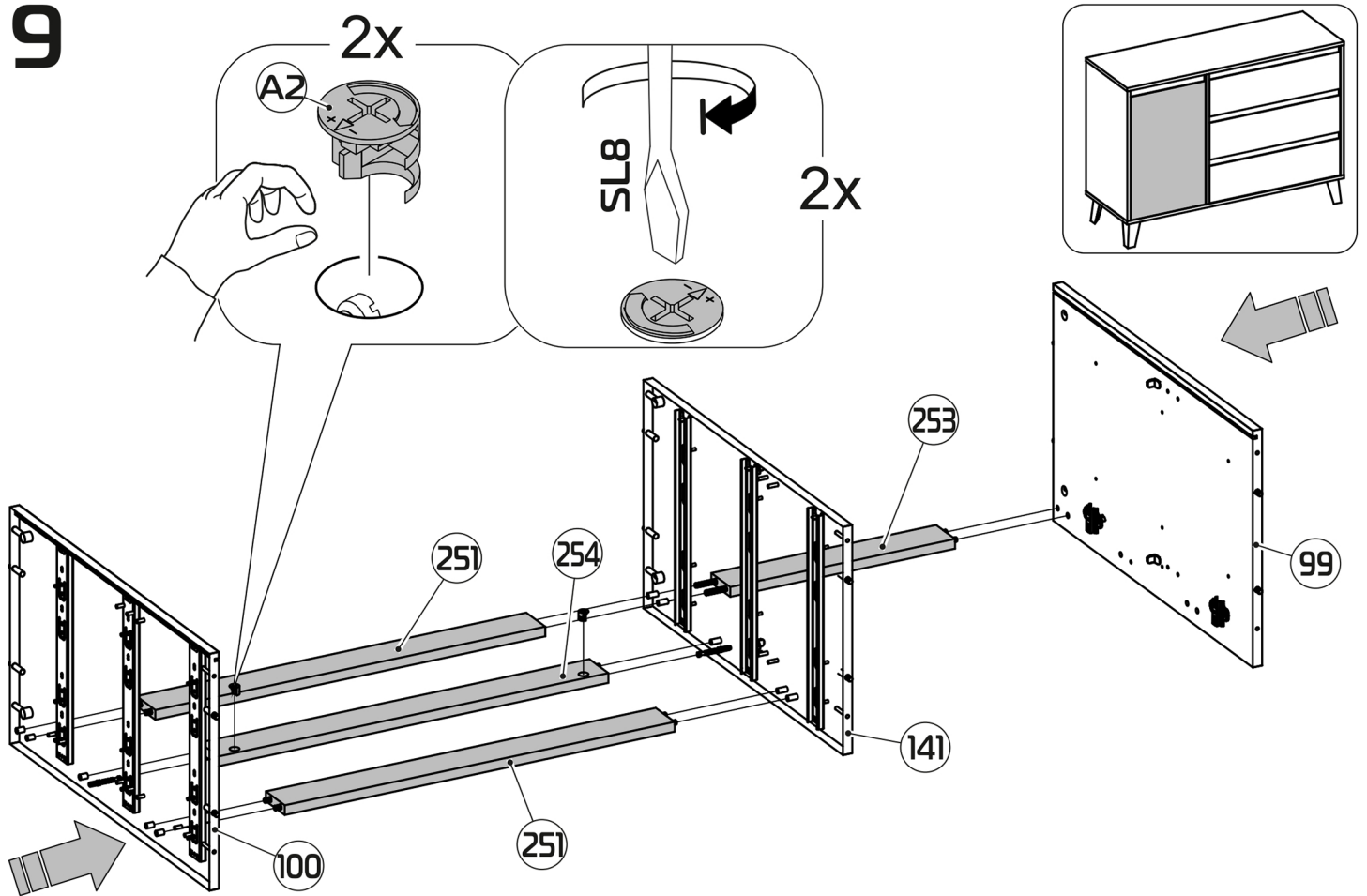
5



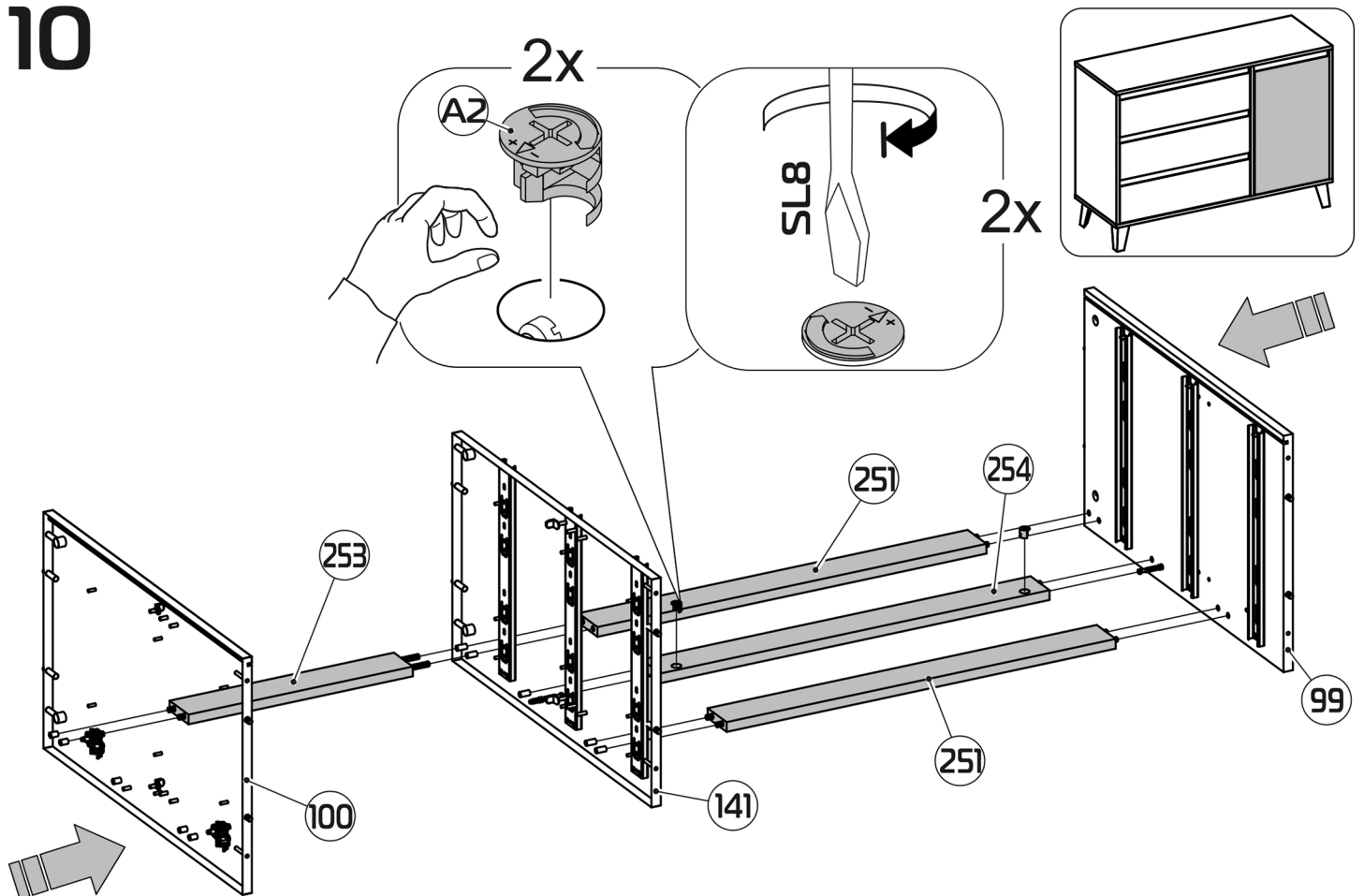
6



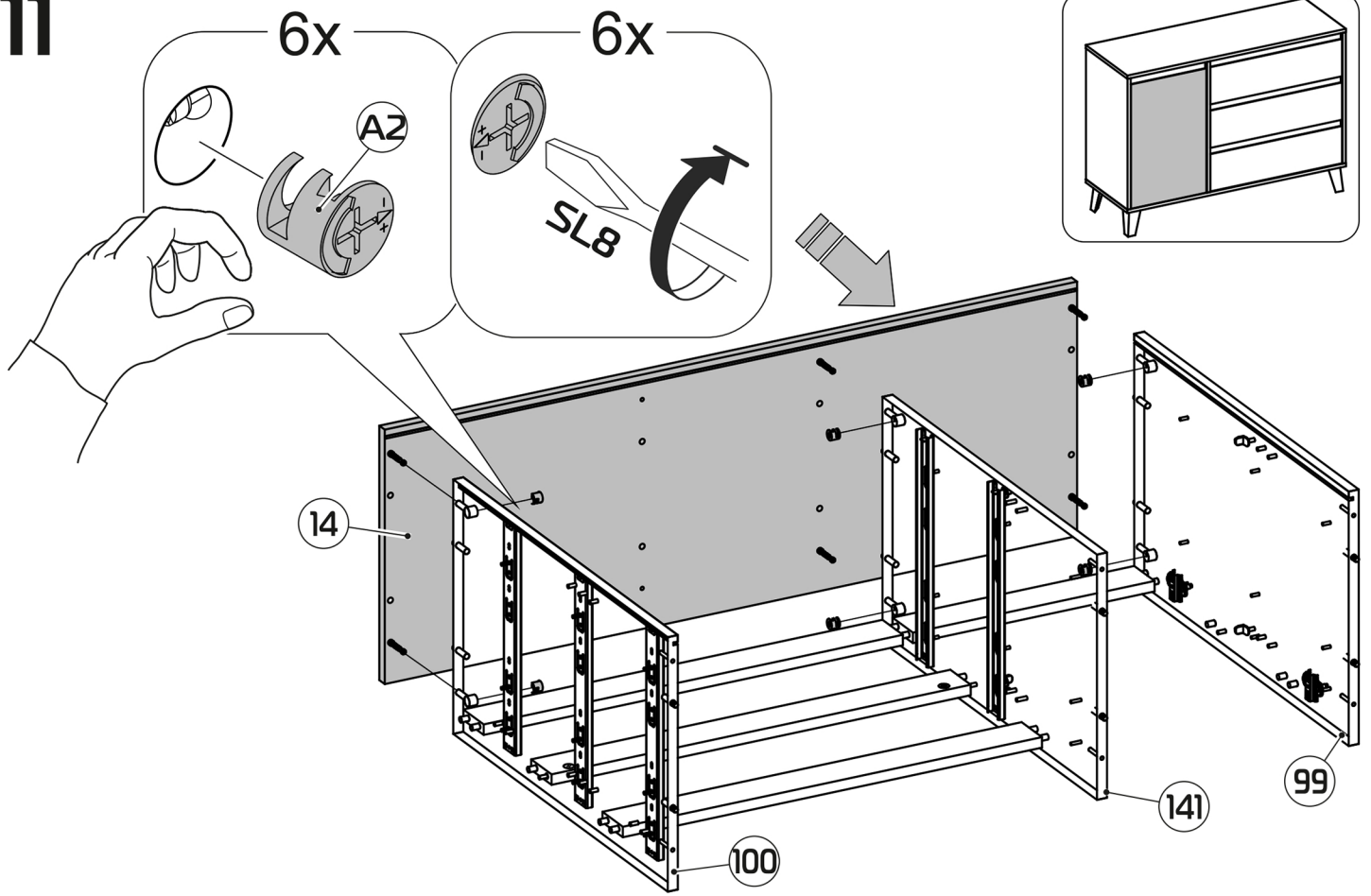
9



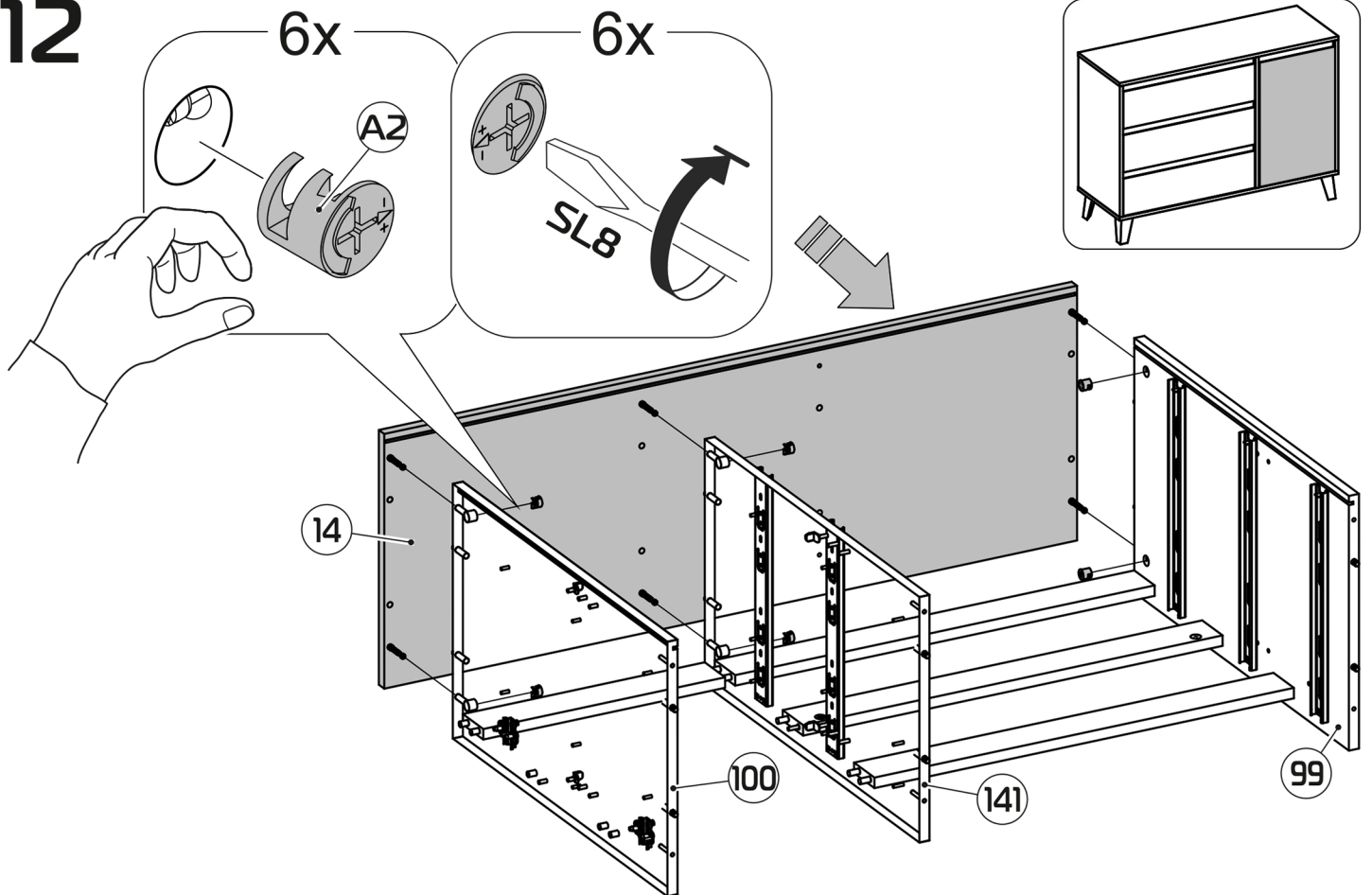
10



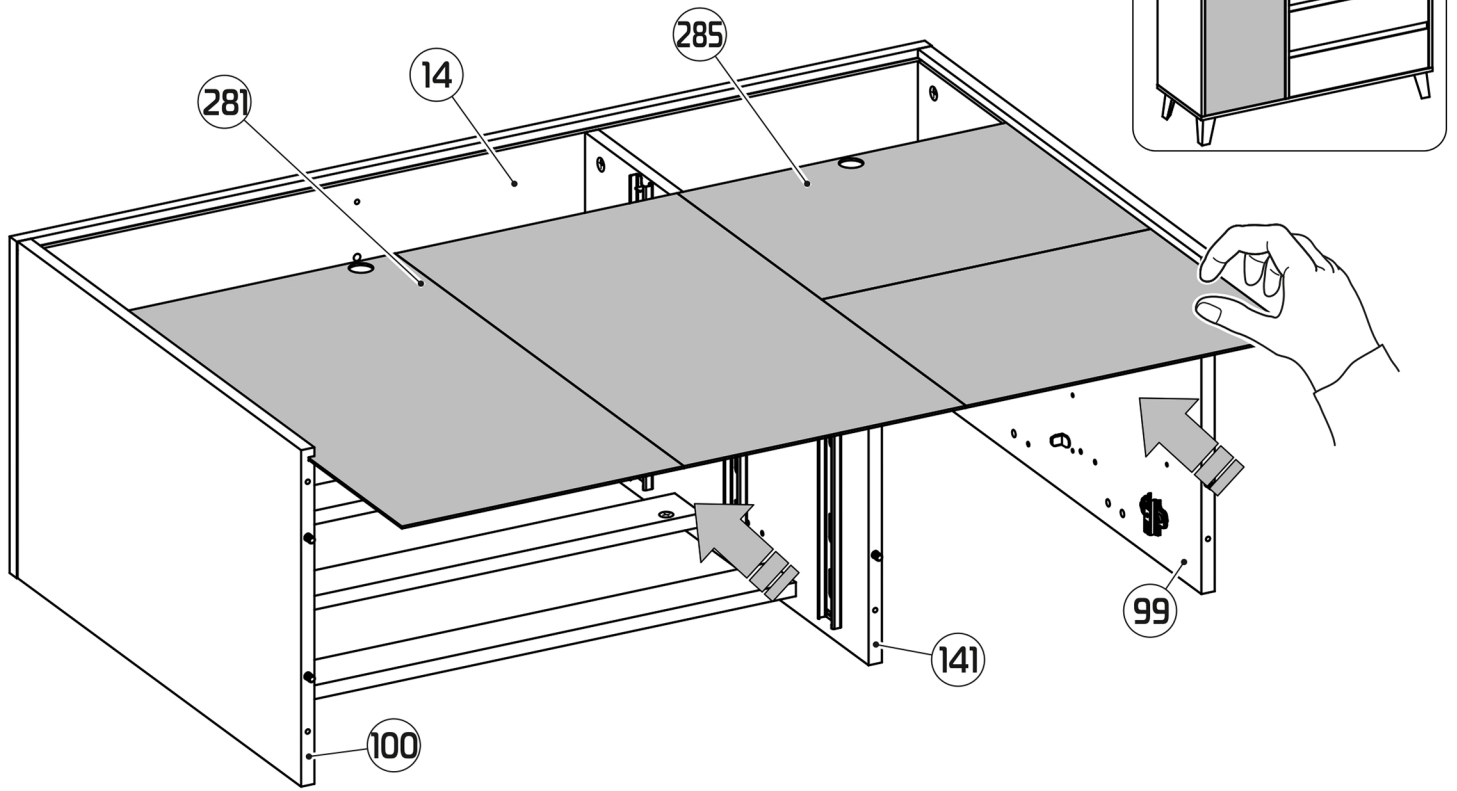
11



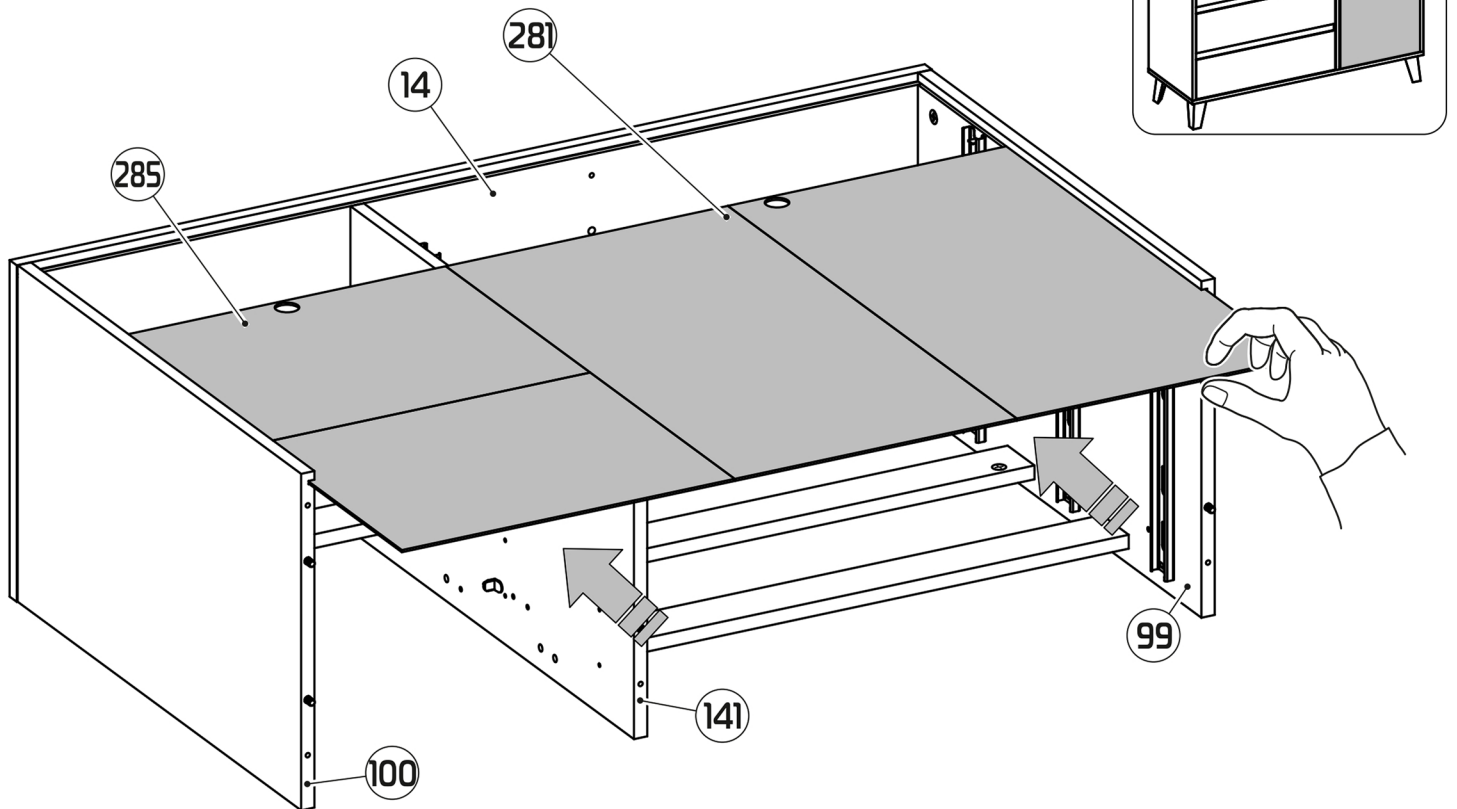
12



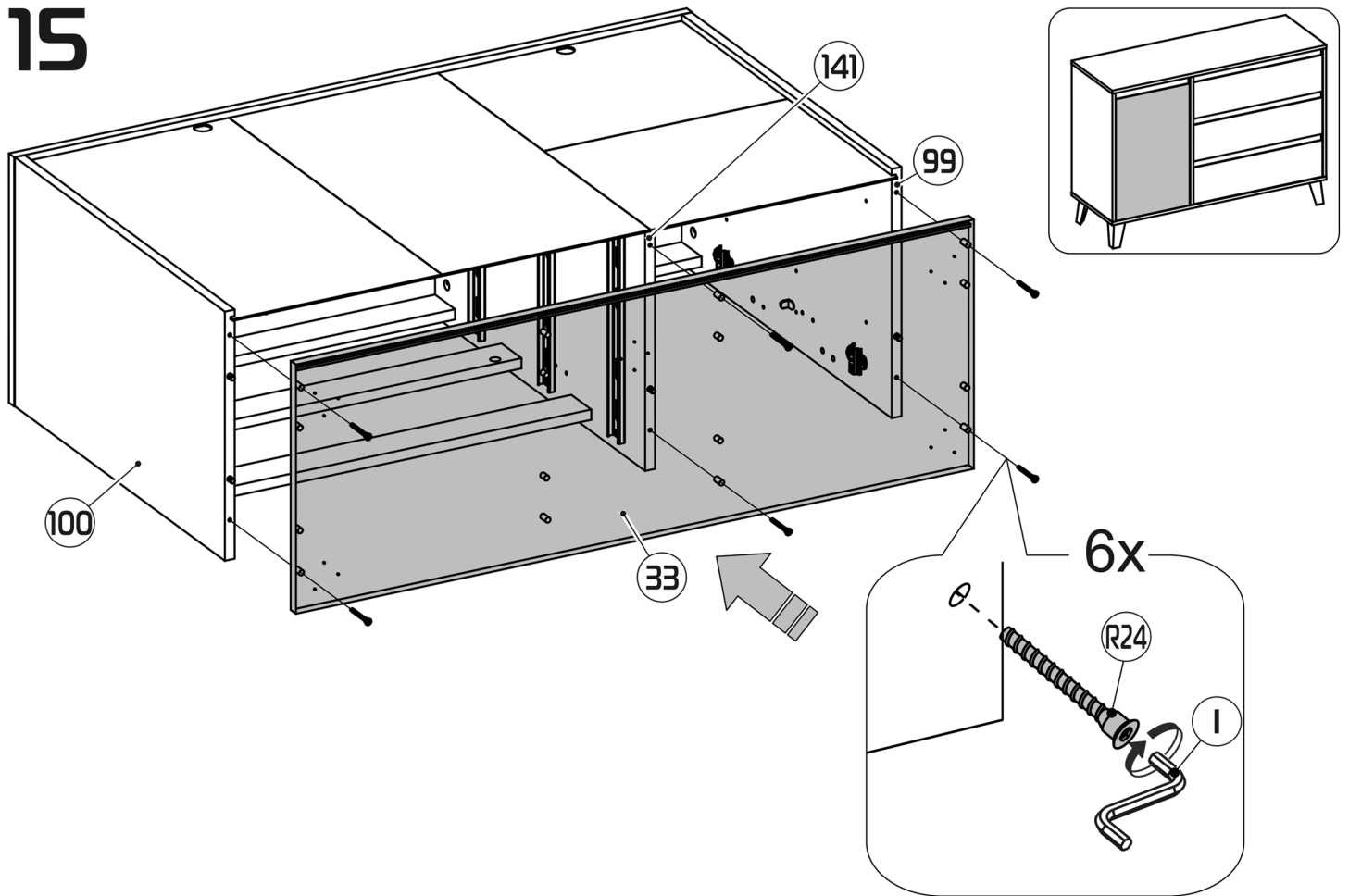
13



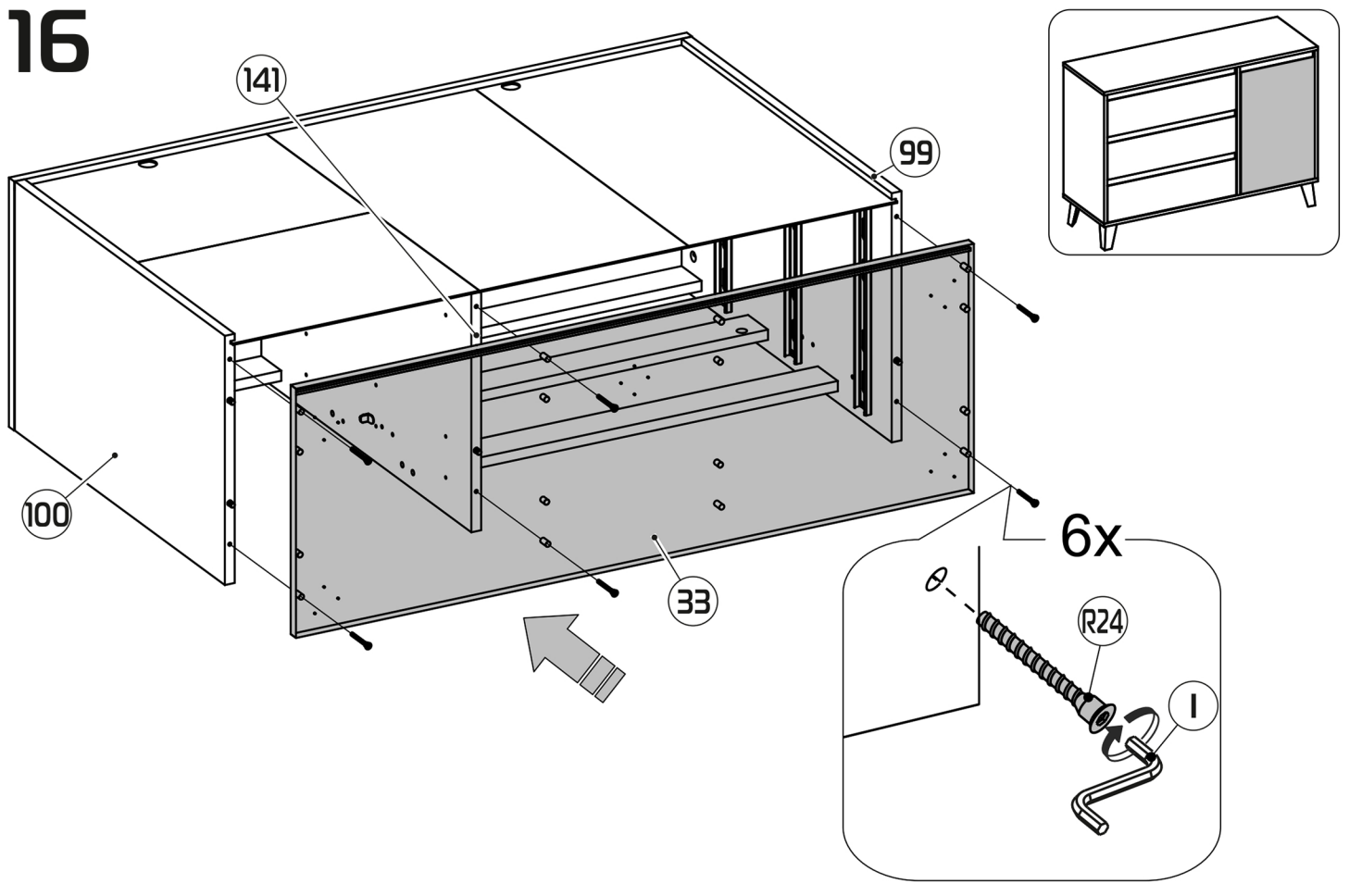
14



15



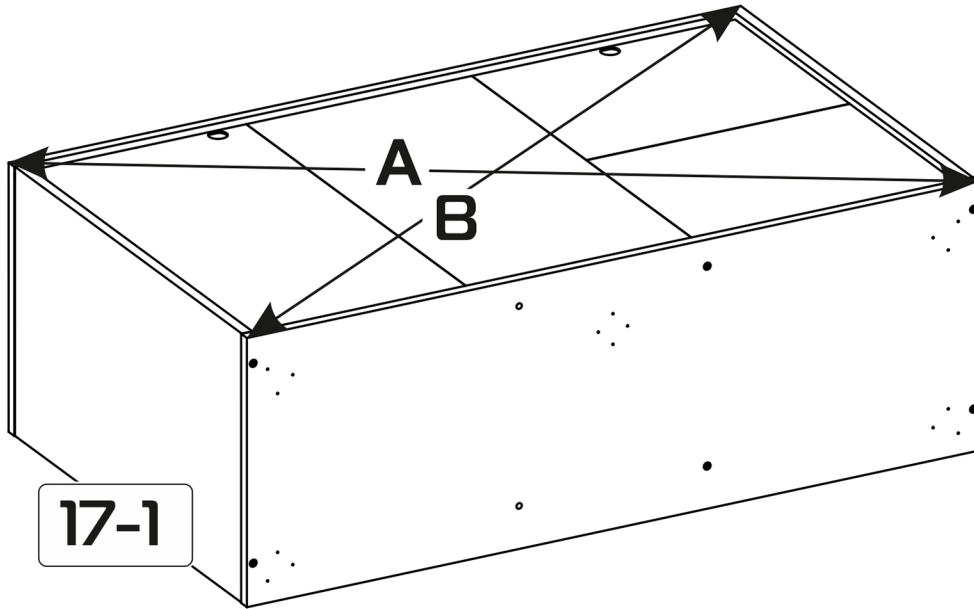
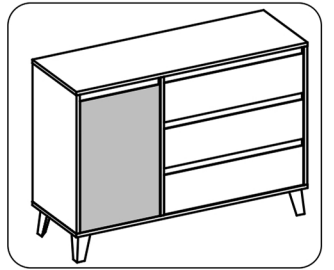
16



17

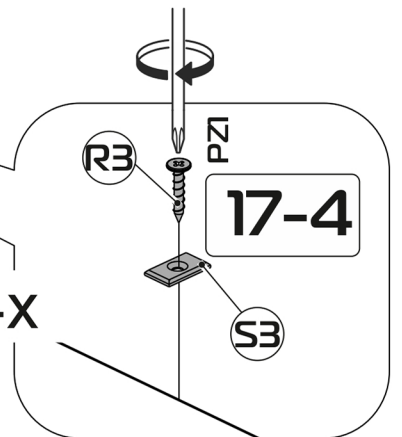
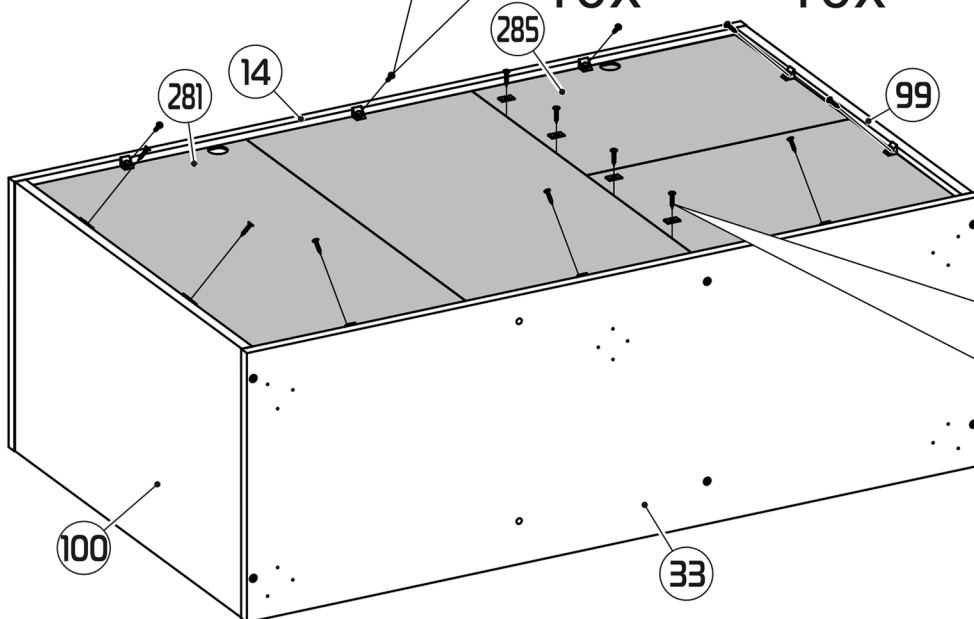
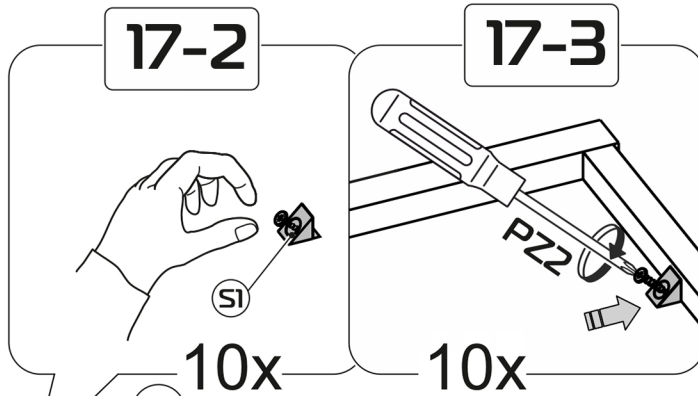


A=B



17-2

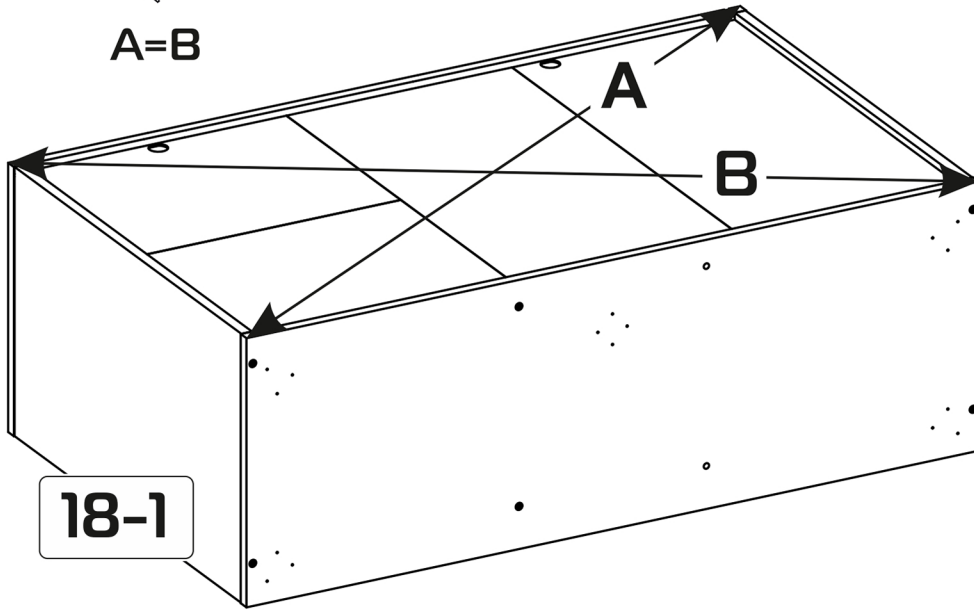
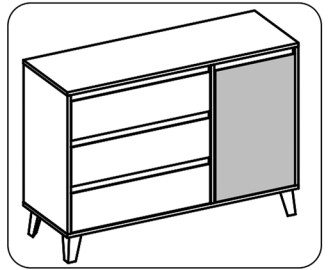
17-3



18

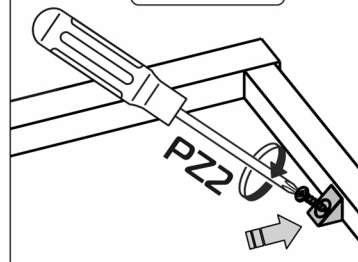
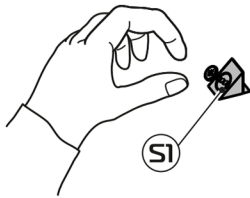


A=B



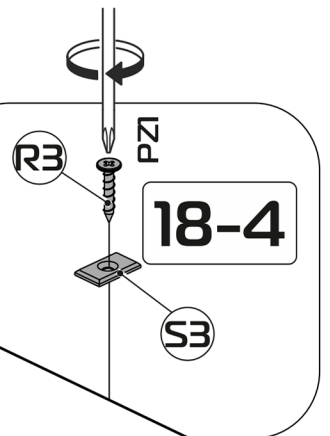
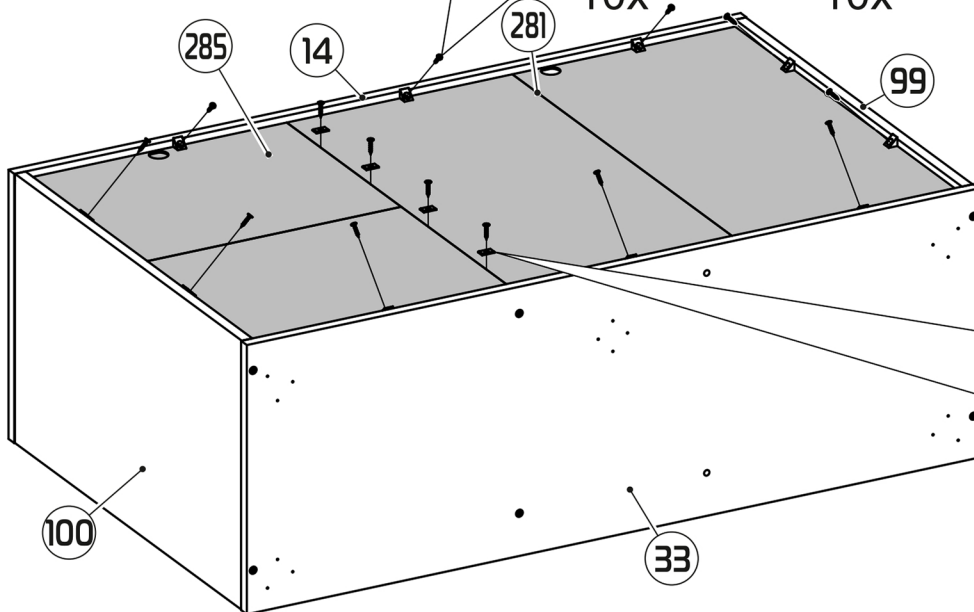
18-2

18-3

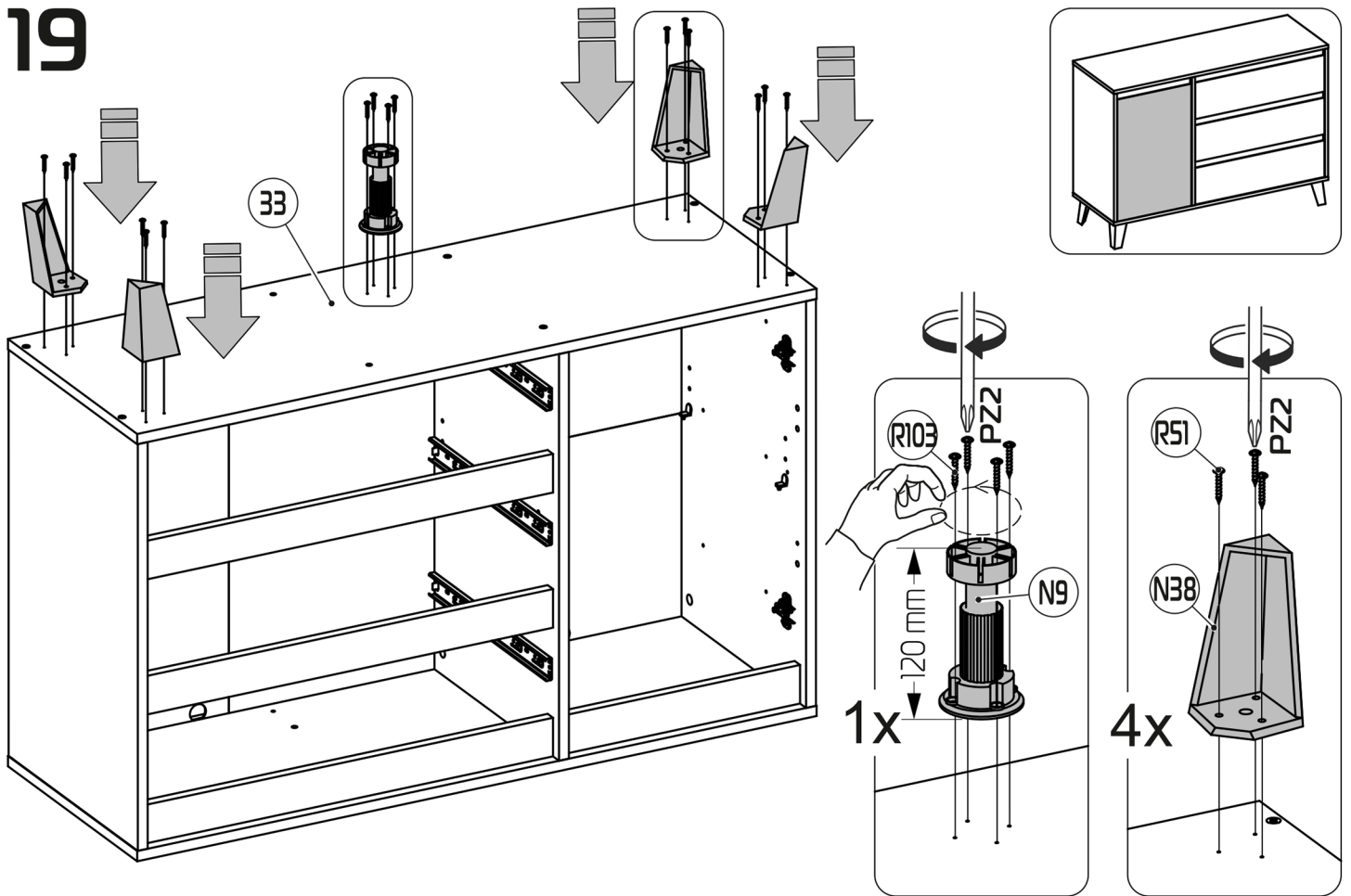


10x

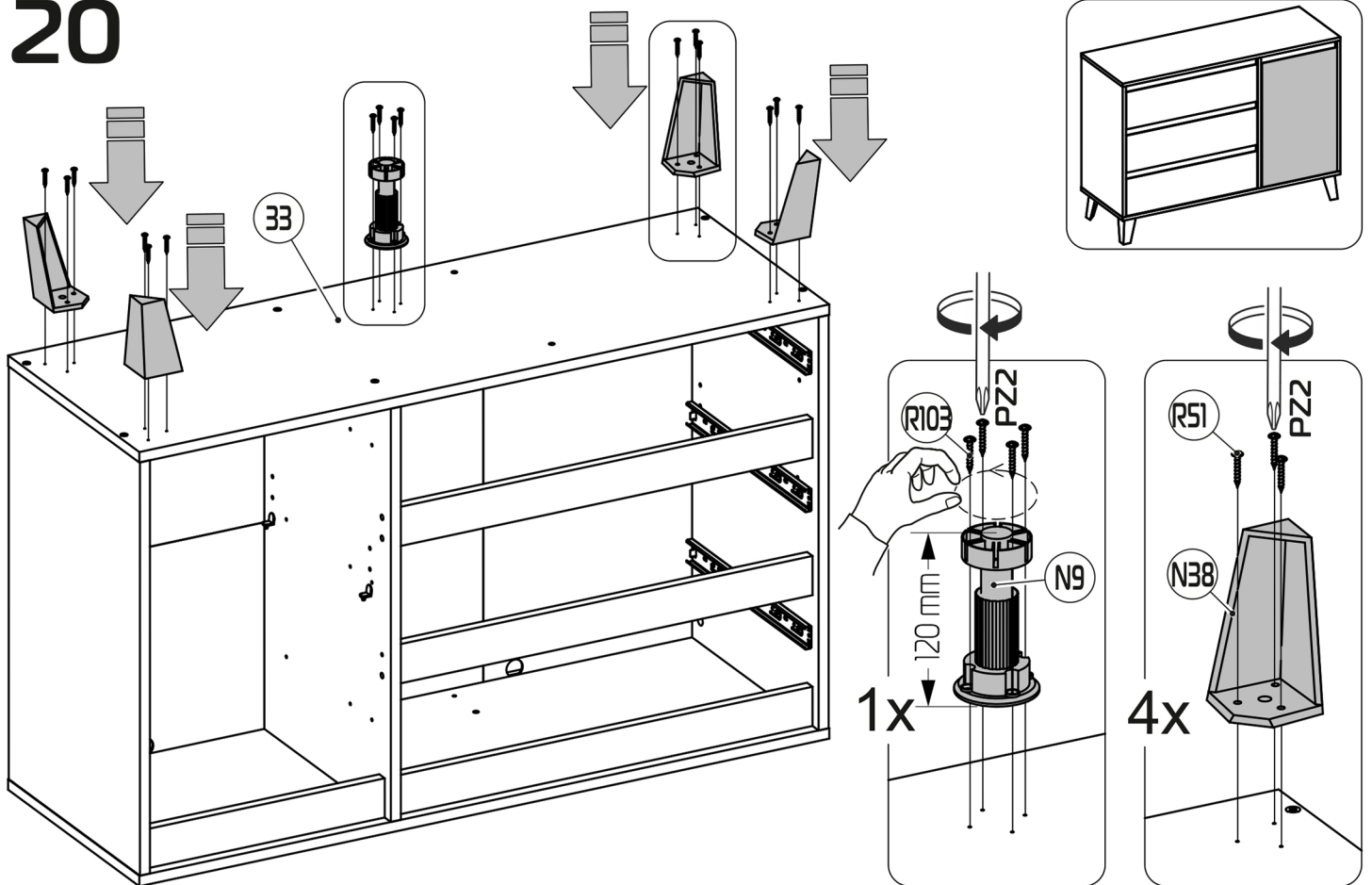
10x



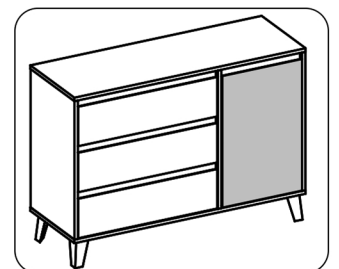
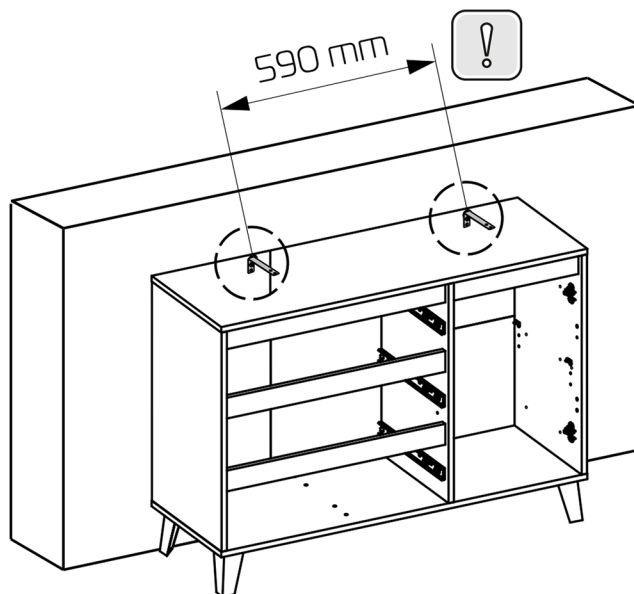
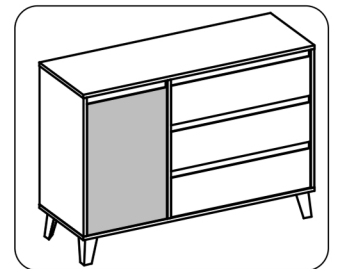
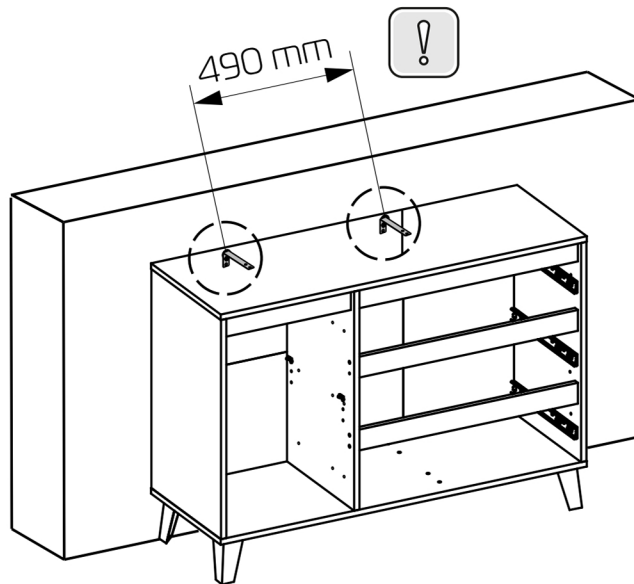
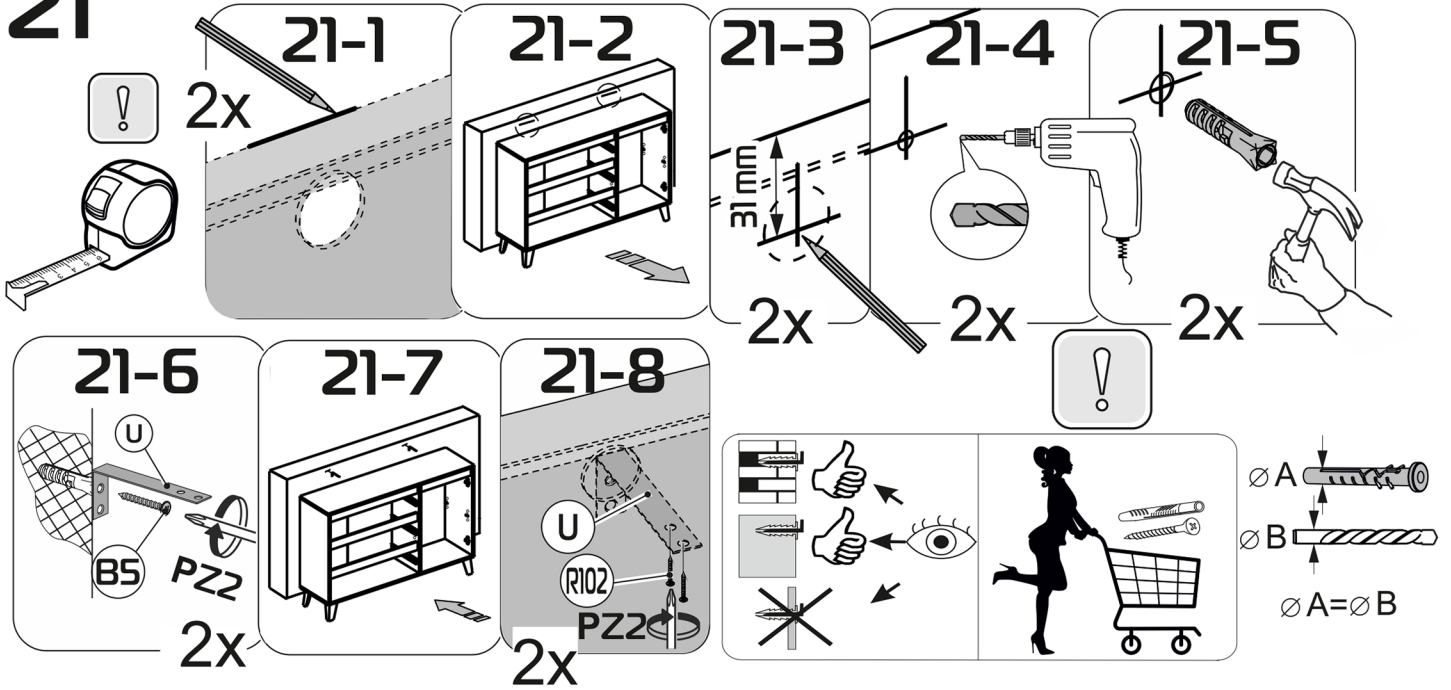
19



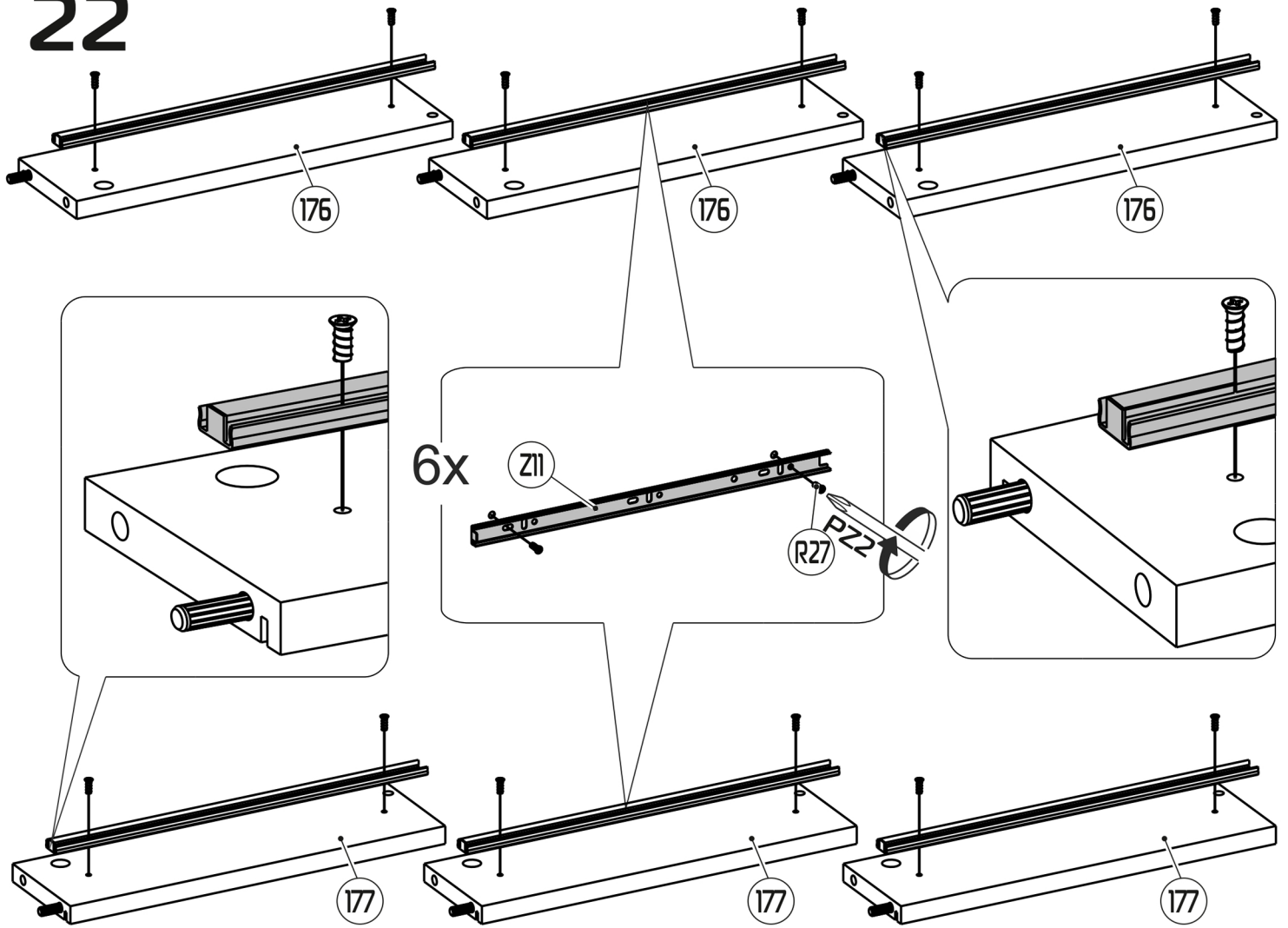
20



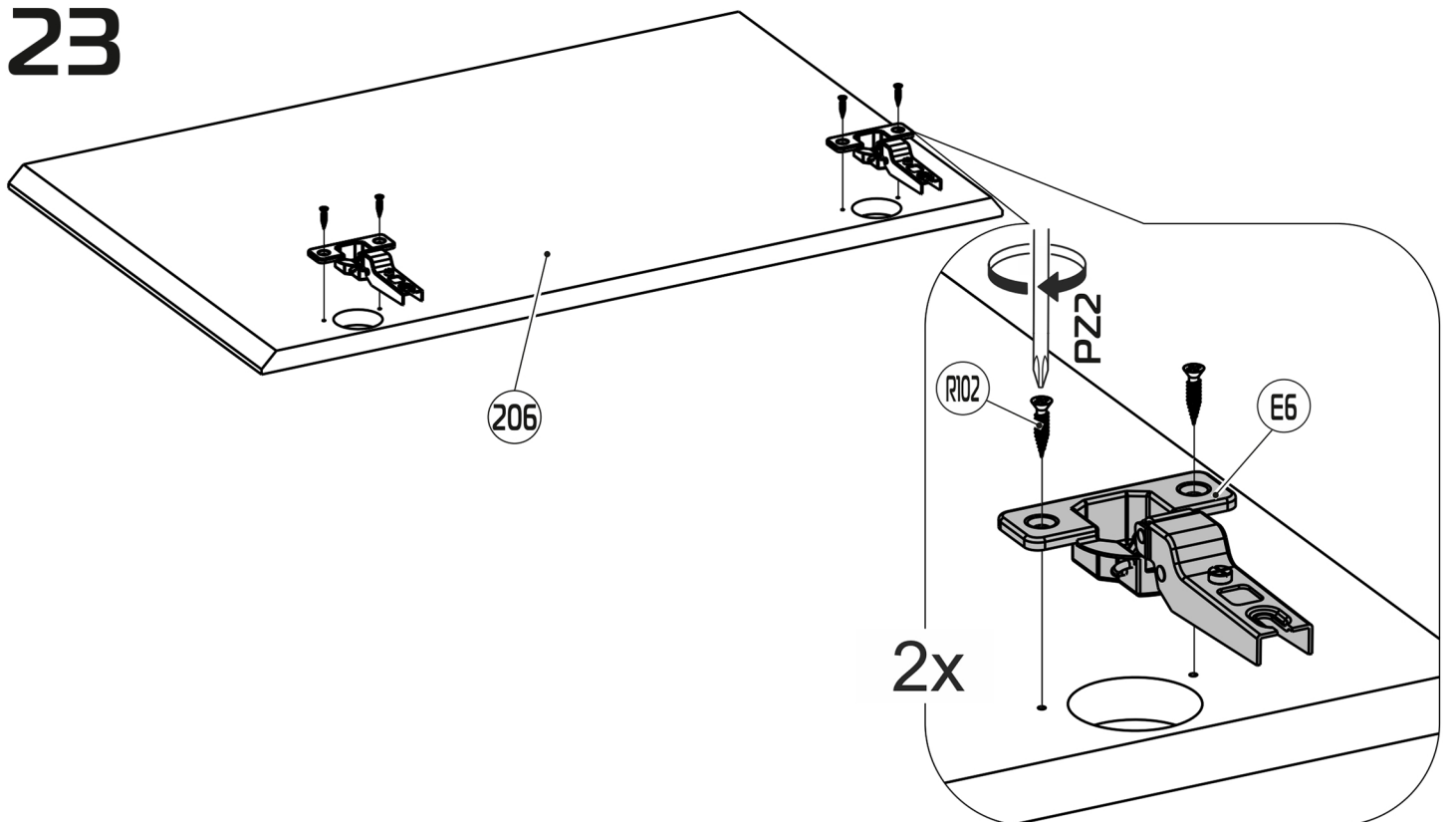
21



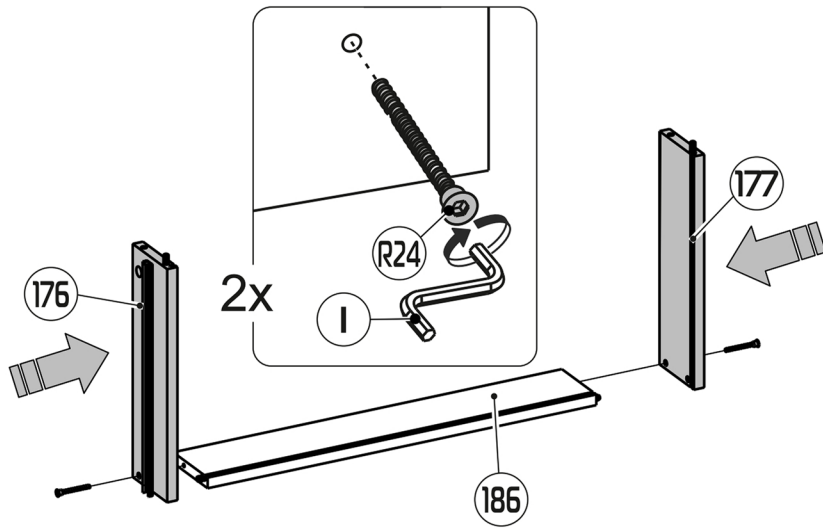
22



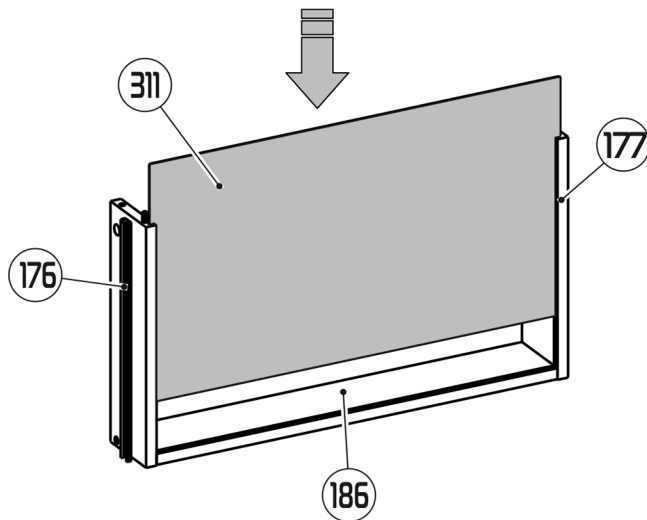
23



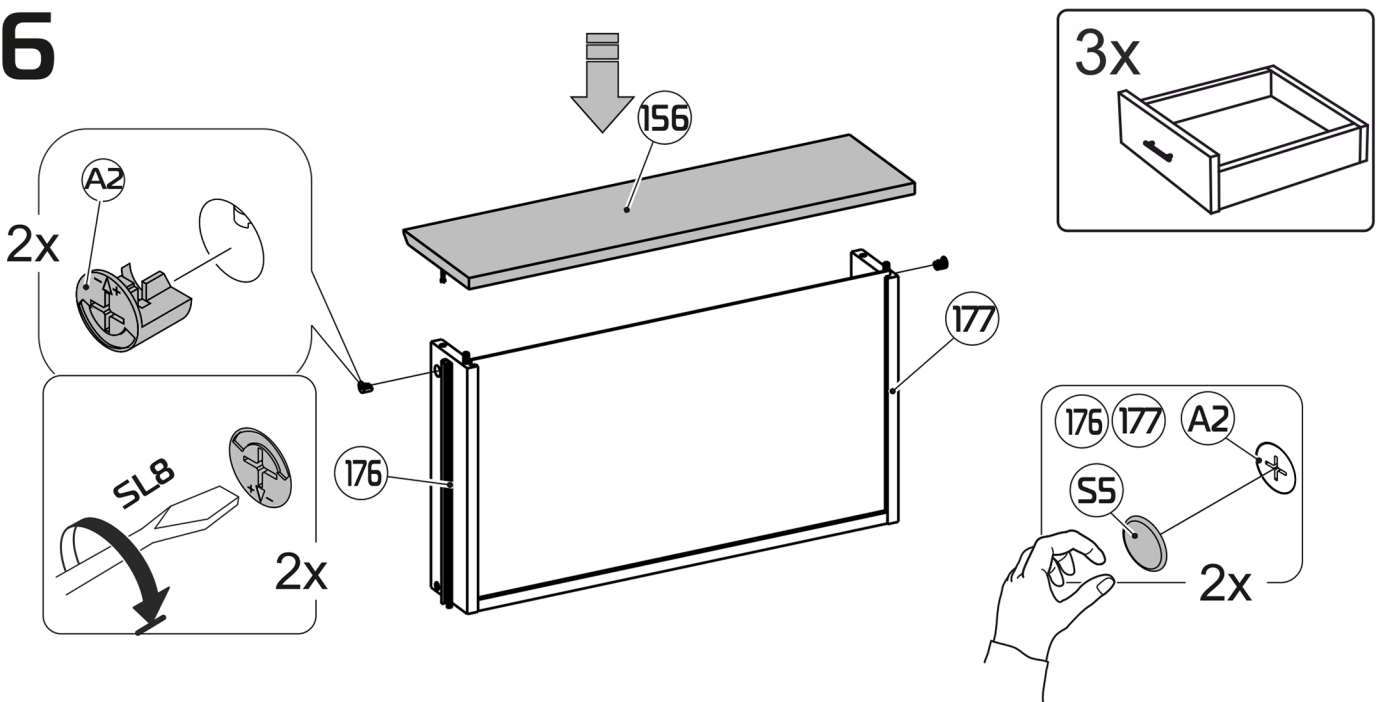
24



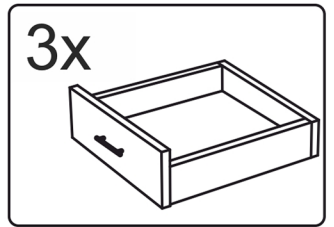
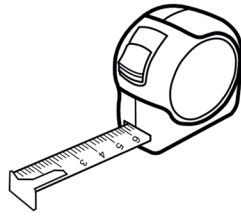
25



26

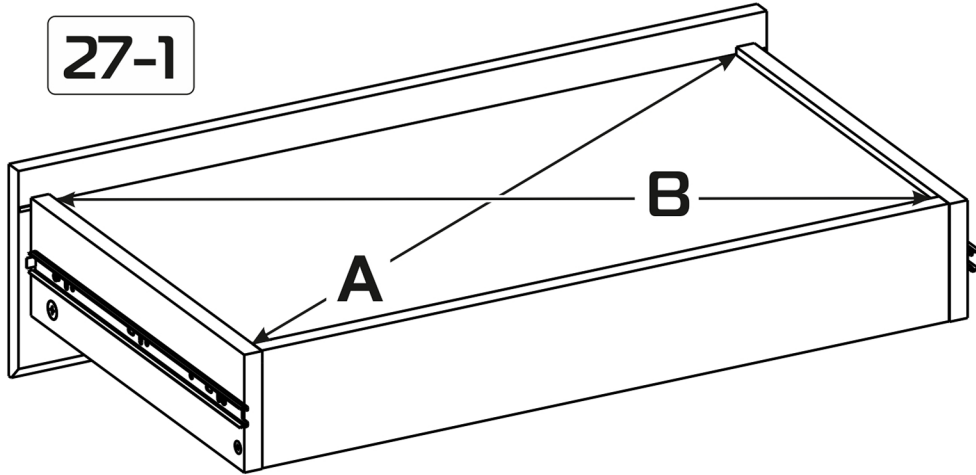


27

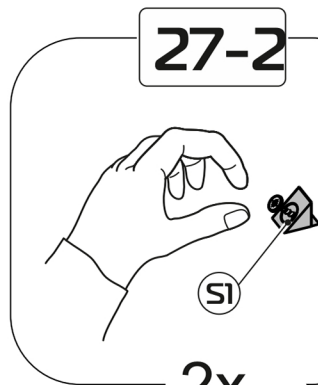


A=B

27-1

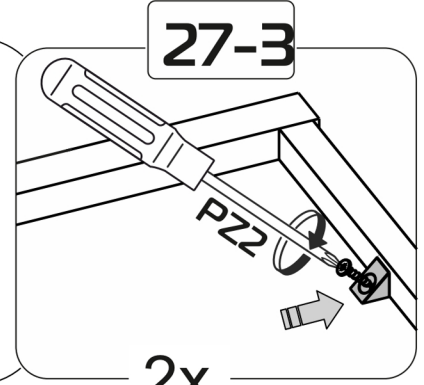


27-2

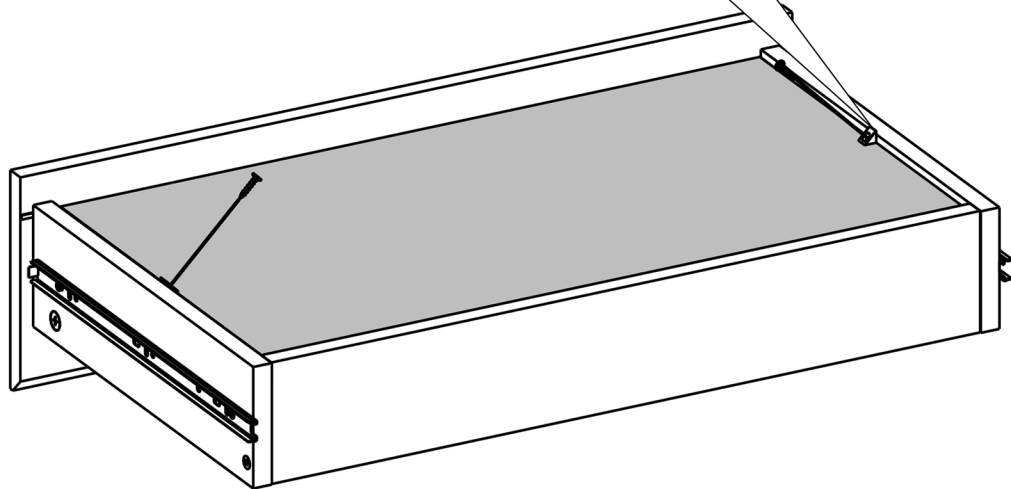


2x

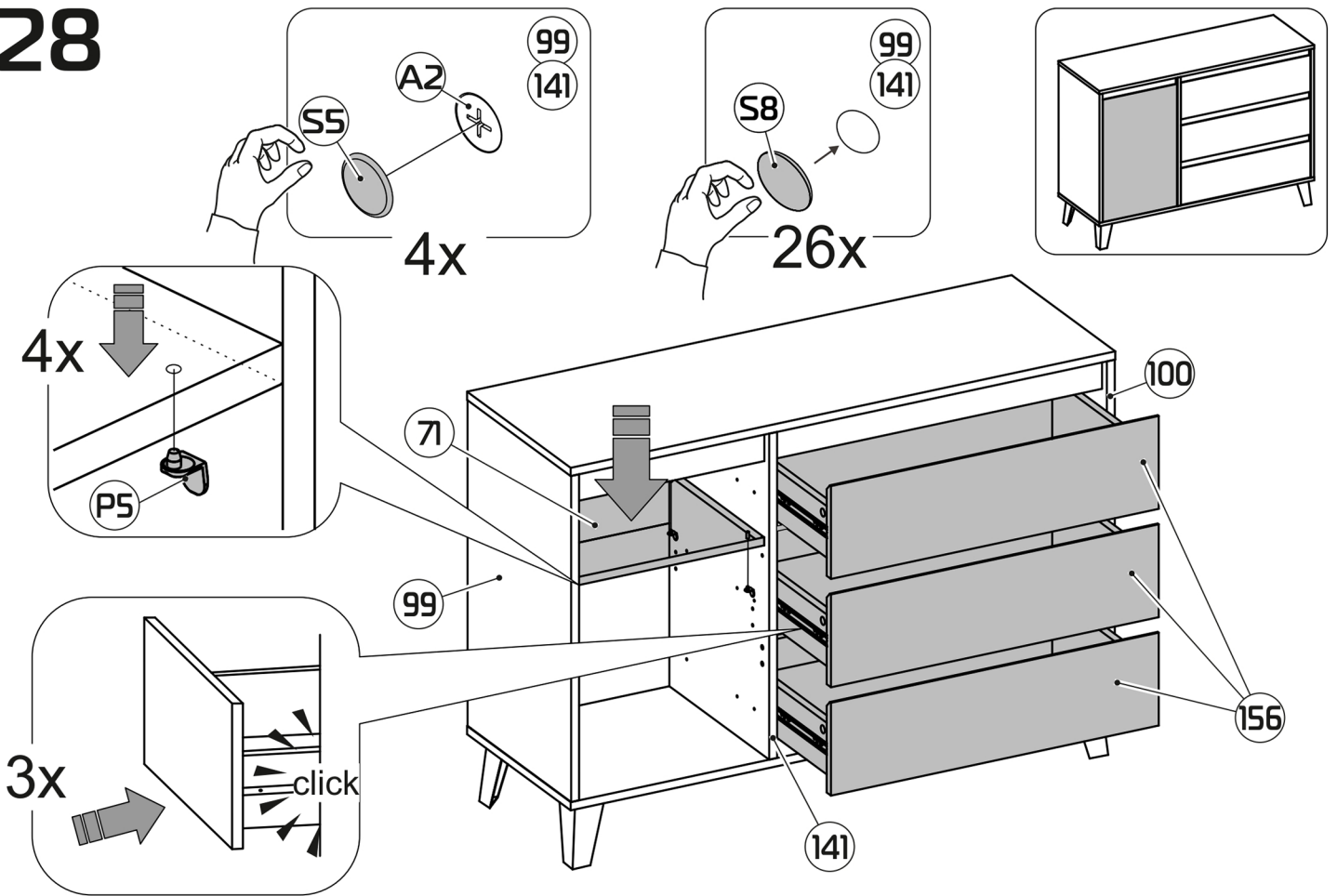
27-3



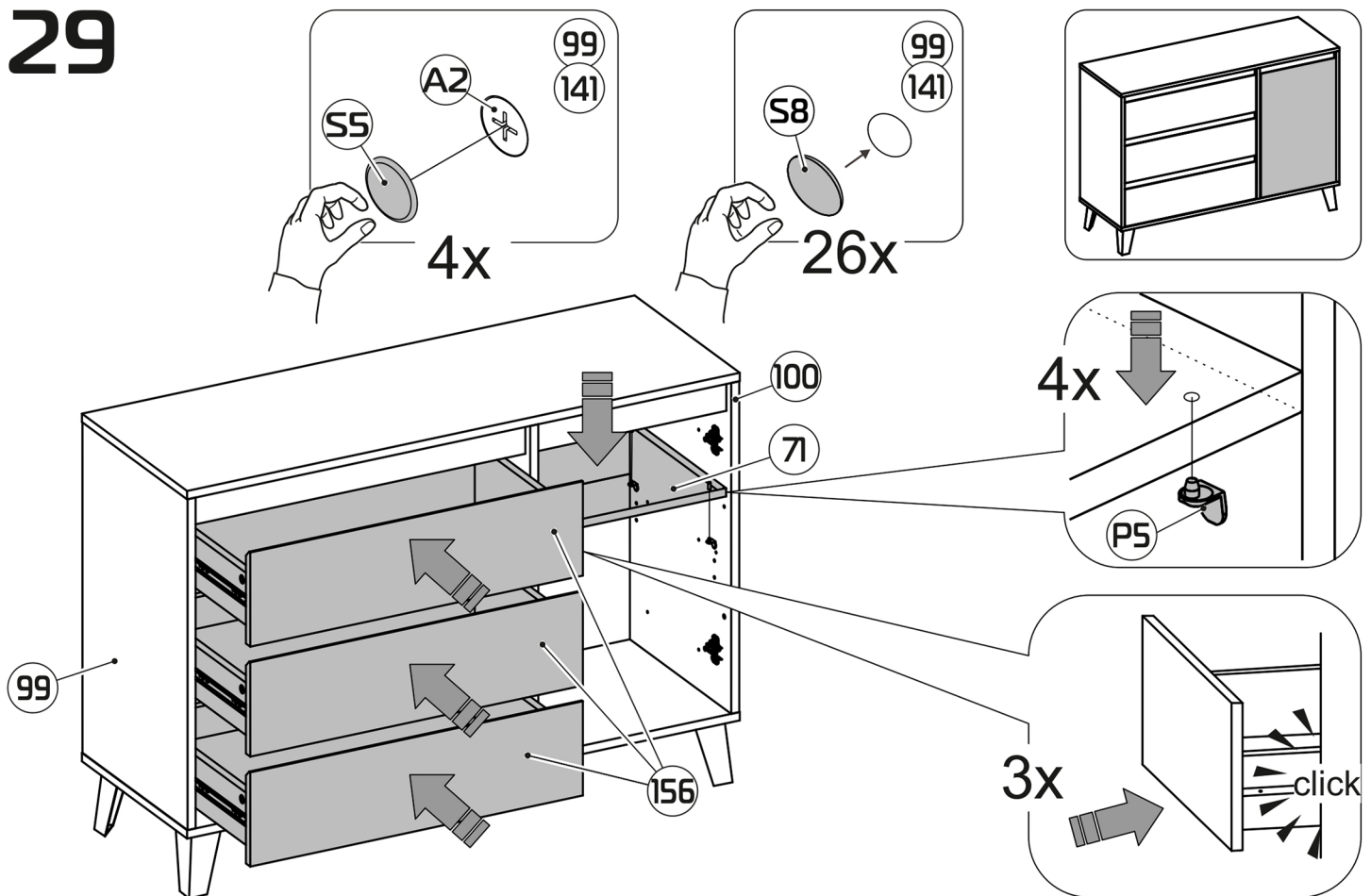
2x



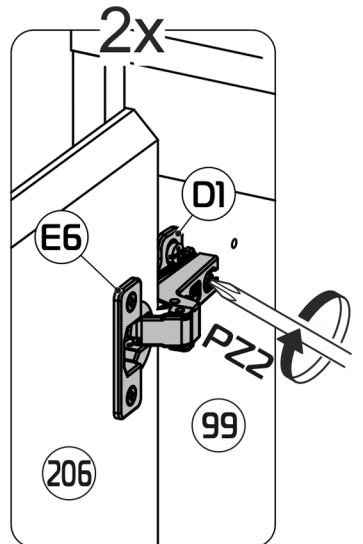
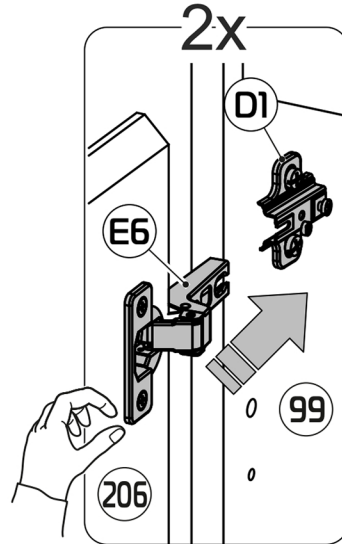
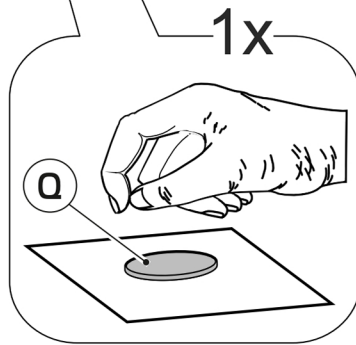
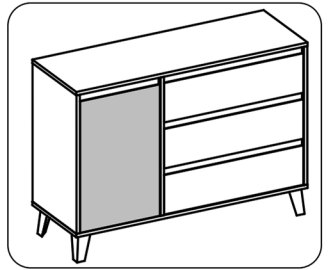
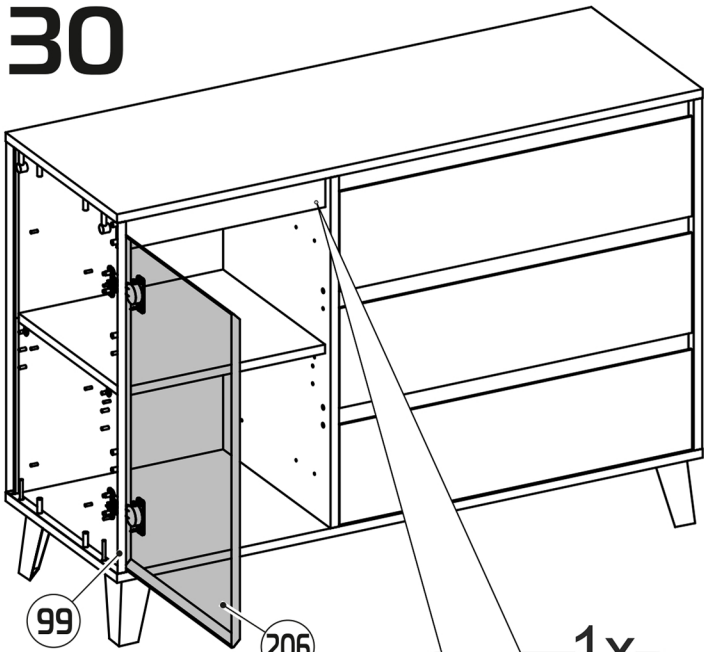
28



29



30



31

