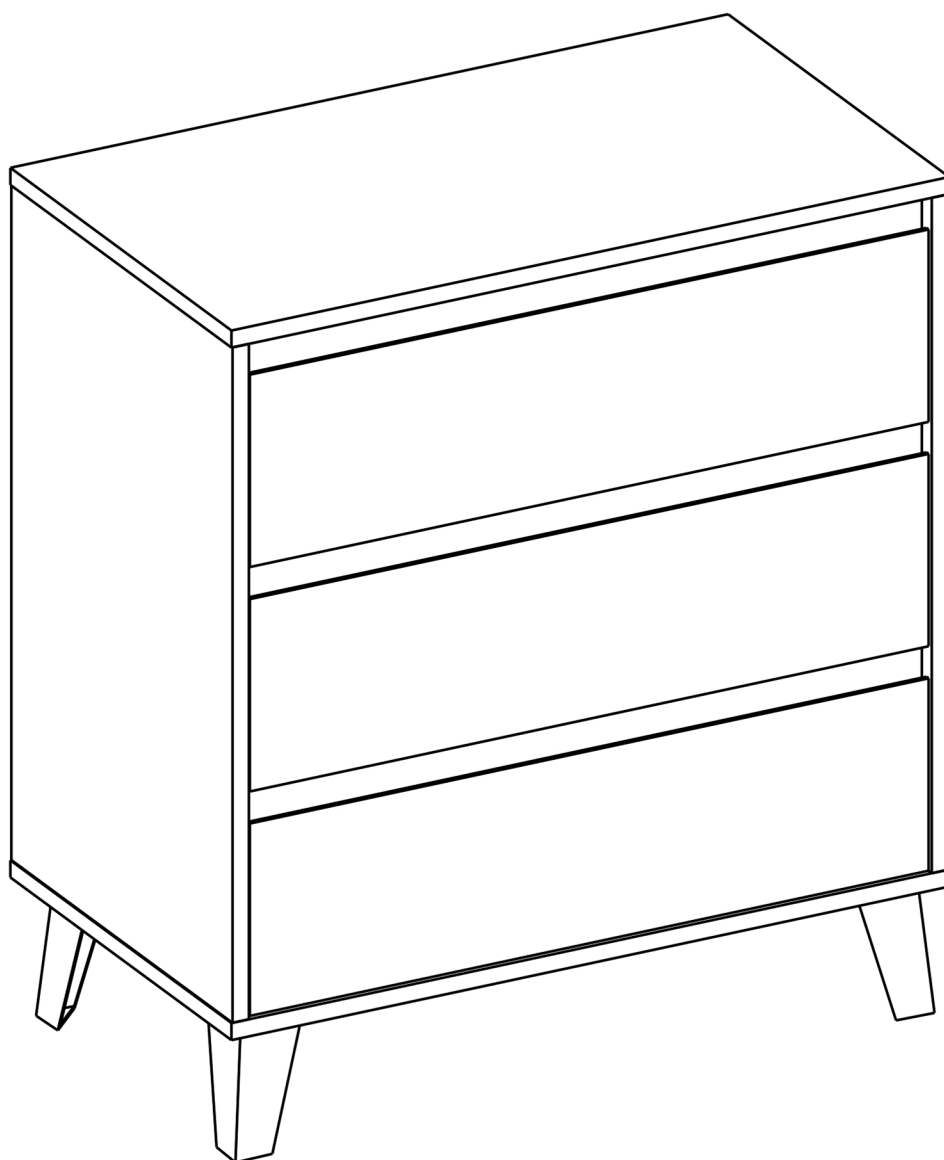
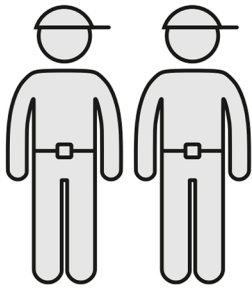
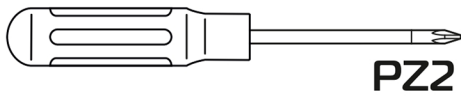
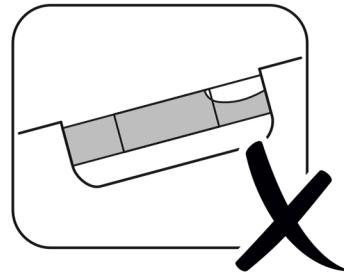
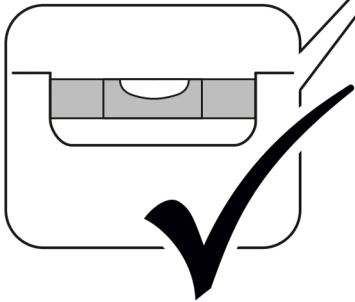
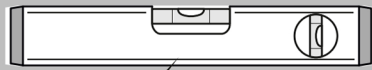
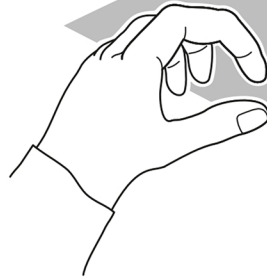
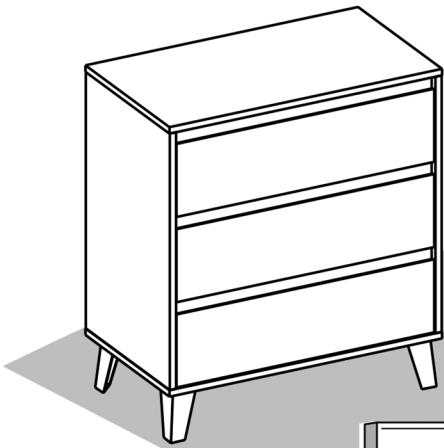
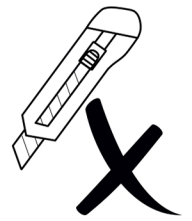


# BOGAN 3S

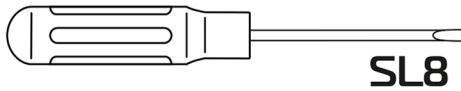




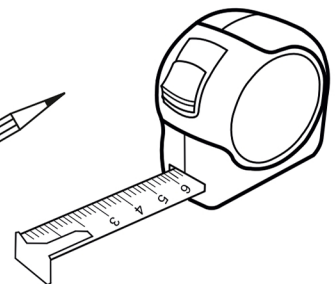
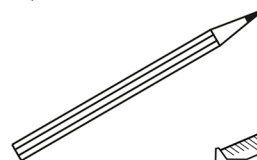
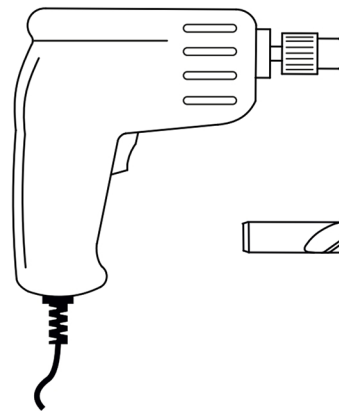
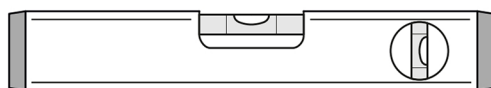
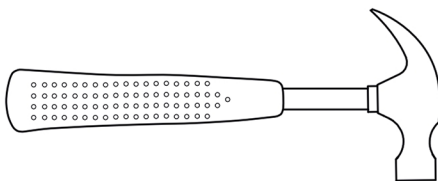
90 min

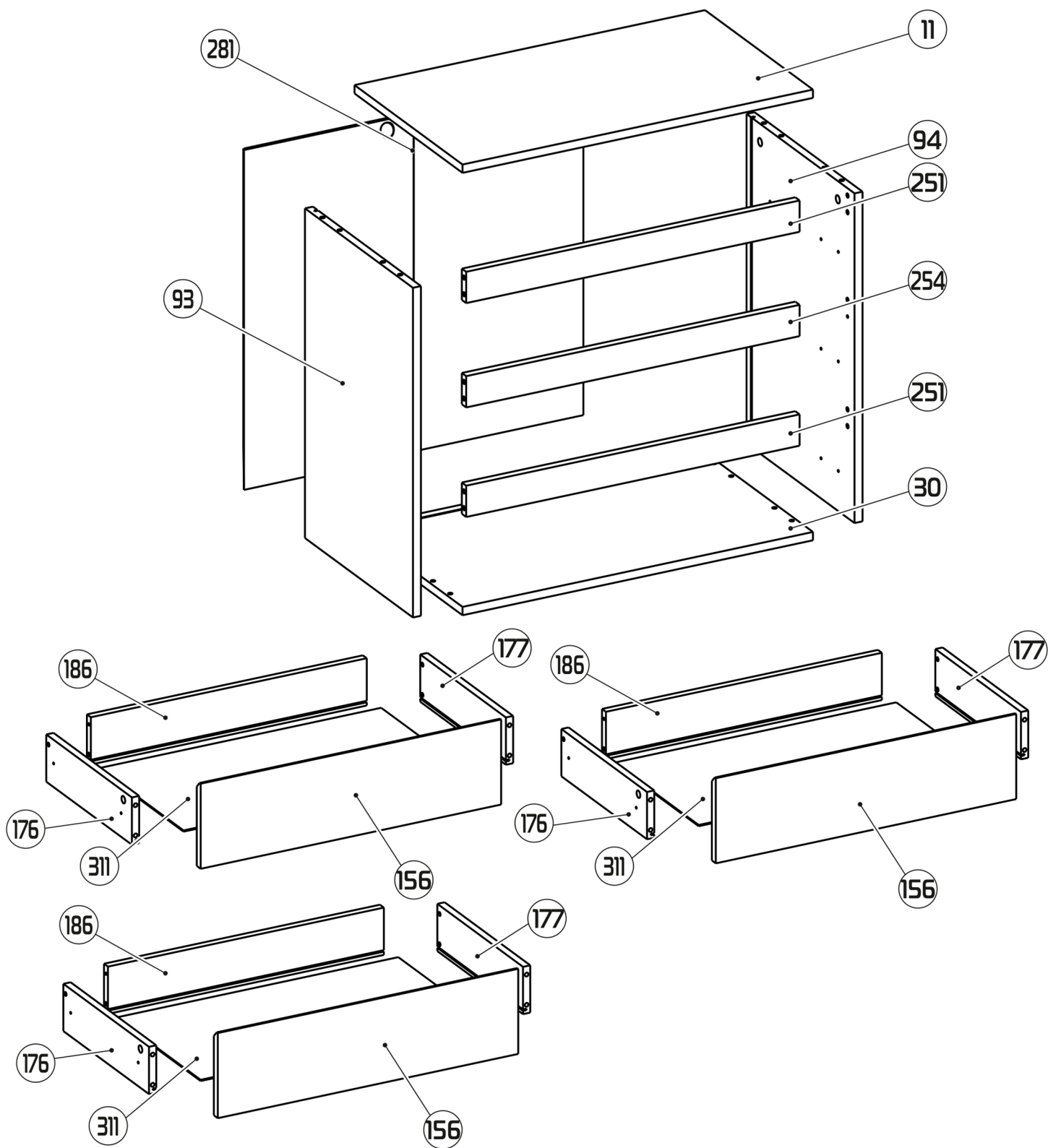


PZ2



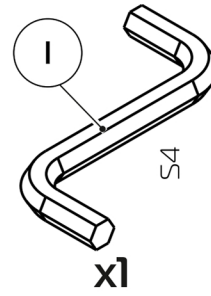
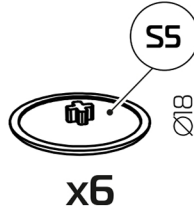
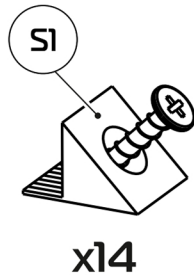
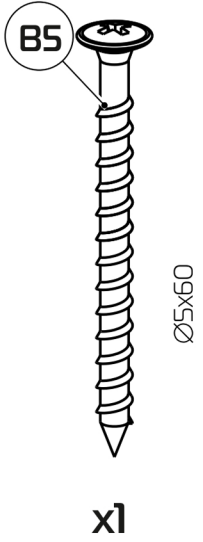
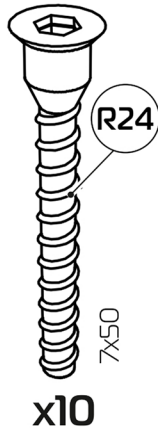
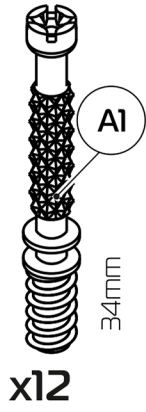
SL8



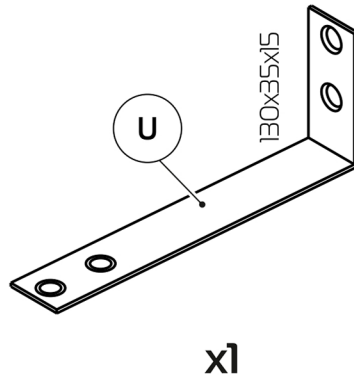


- |    |                 |     |                 |     |                  |
|----|-----------------|-----|-----------------|-----|------------------|
| 11 | 700x389x16 (x1) | 156 | 662x180x16 (x3) | 251 | 666x60x16 (x2)   |
| 30 | 700x389x16 (x1) | 176 | 350x100x16 (x3) | 254 | 666x60x16 (x1)   |
| 93 | 632x388x16 (x1) | 177 | 350x100x16 (x3) | 281 | 644x678x2,5 (x1) |
| 94 | 632x388x16 (x1) | 186 | 608x100x16 (x3) | 311 | 622x346x2,5 (x3) |

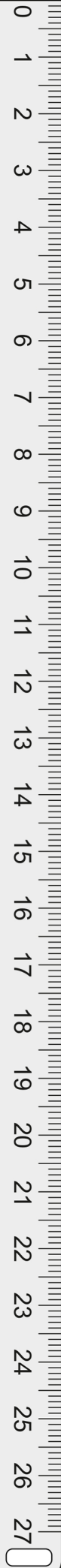
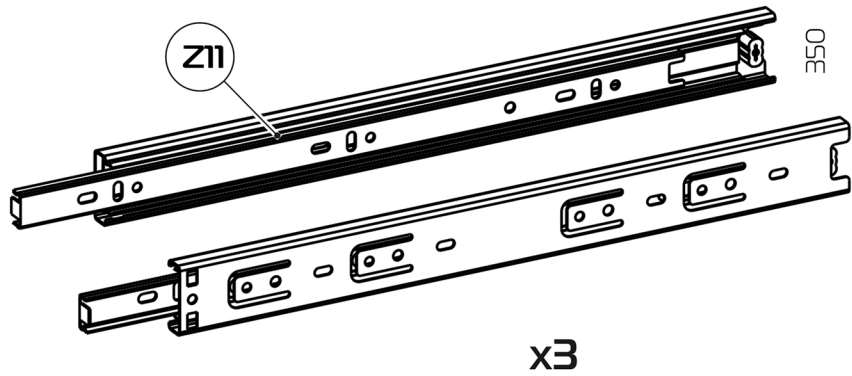
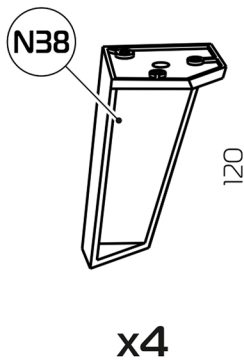
1:1



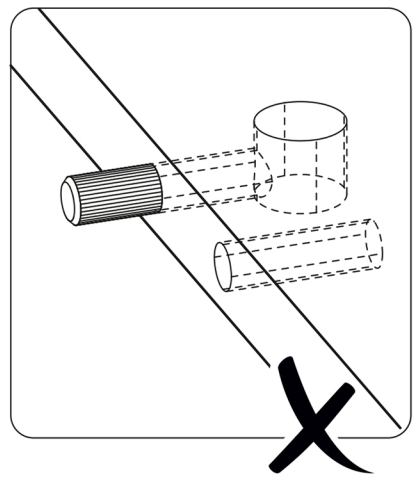
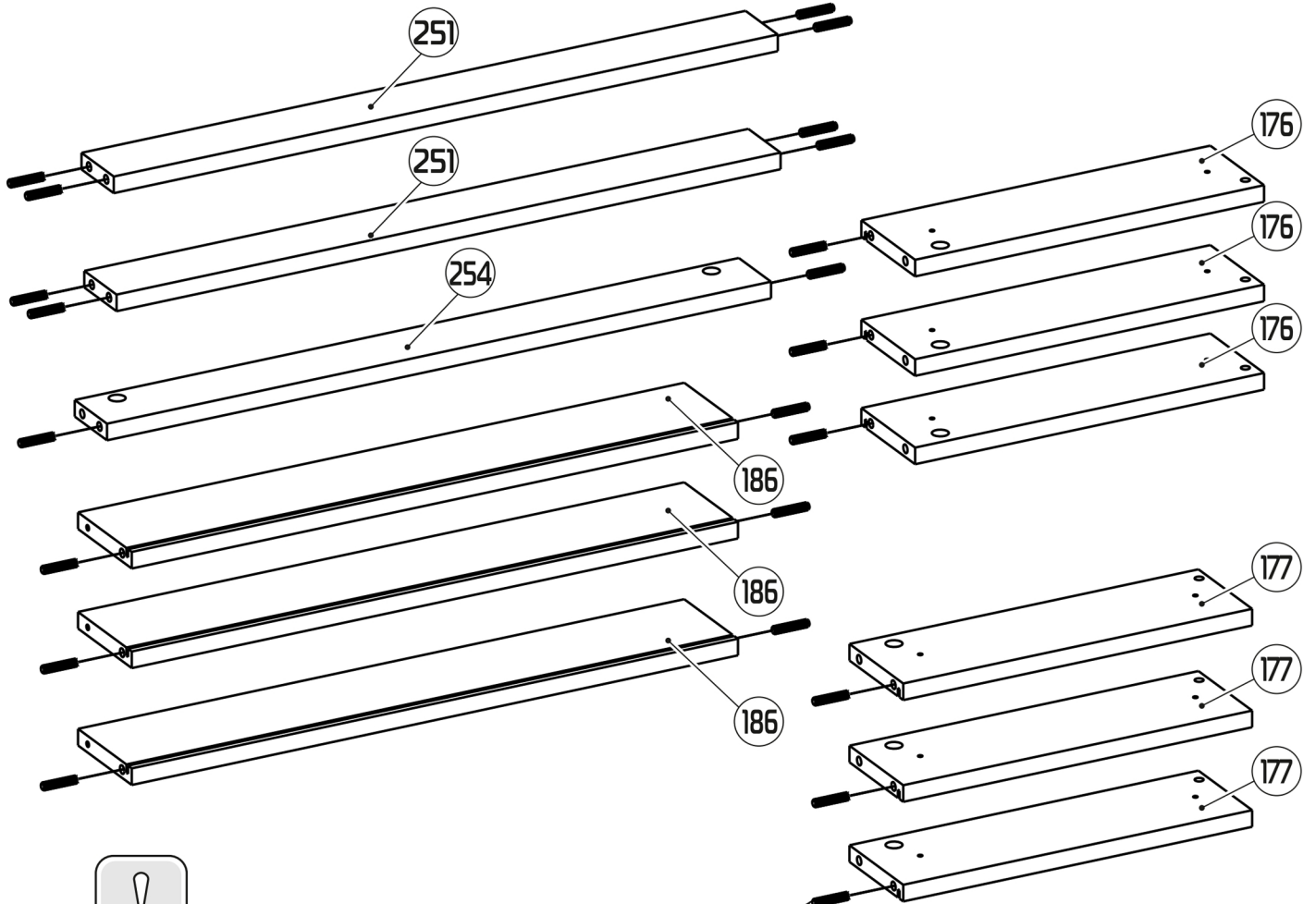
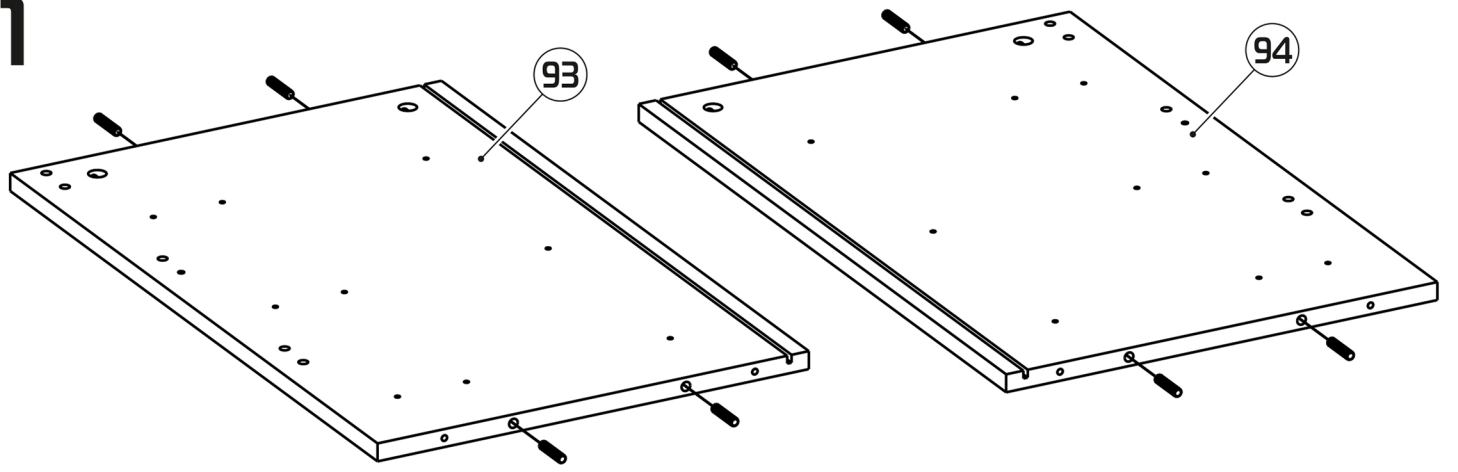
1:2



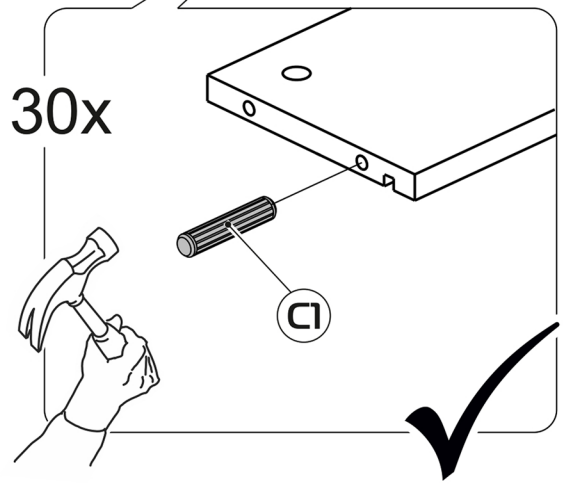
1:4



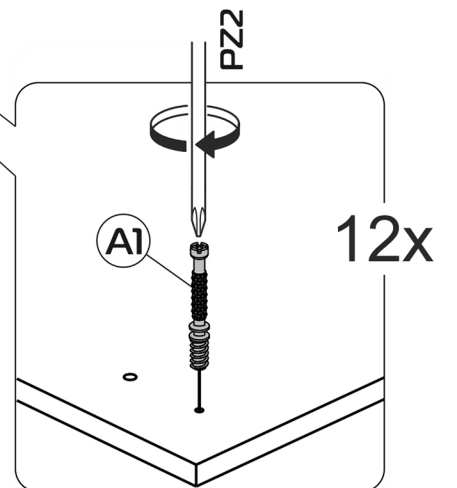
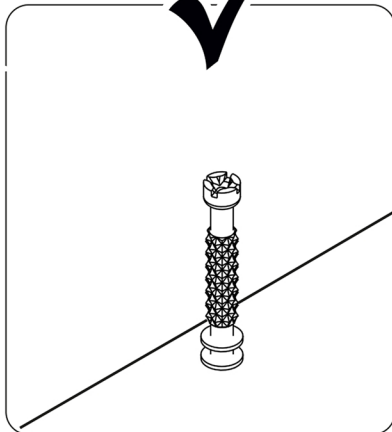
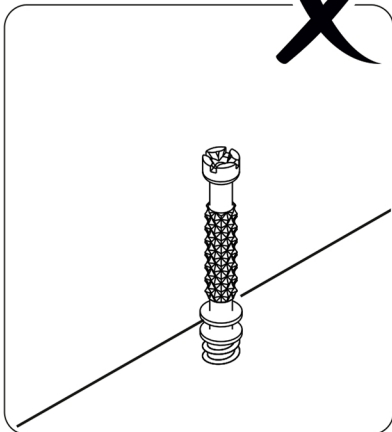
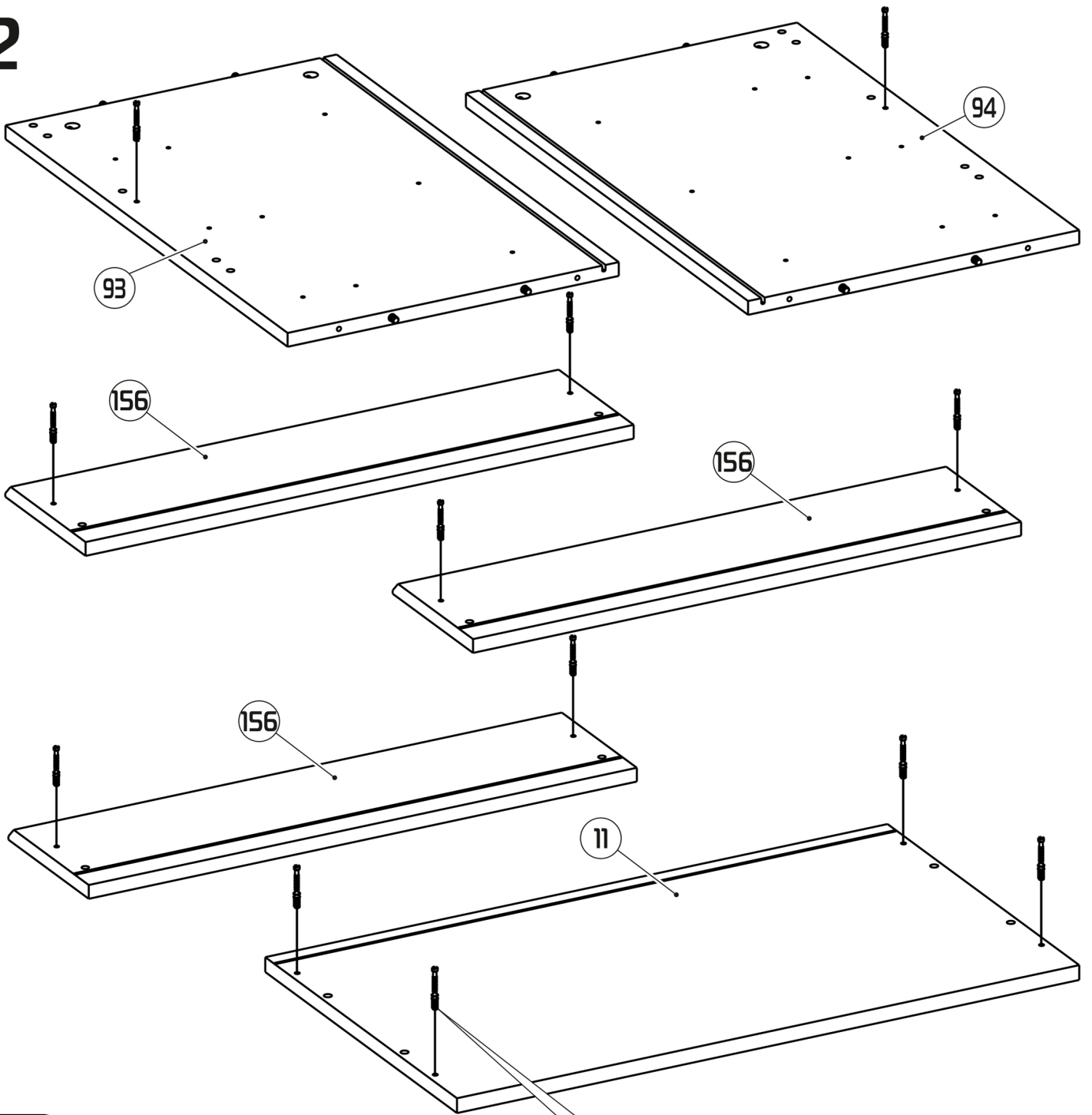
1

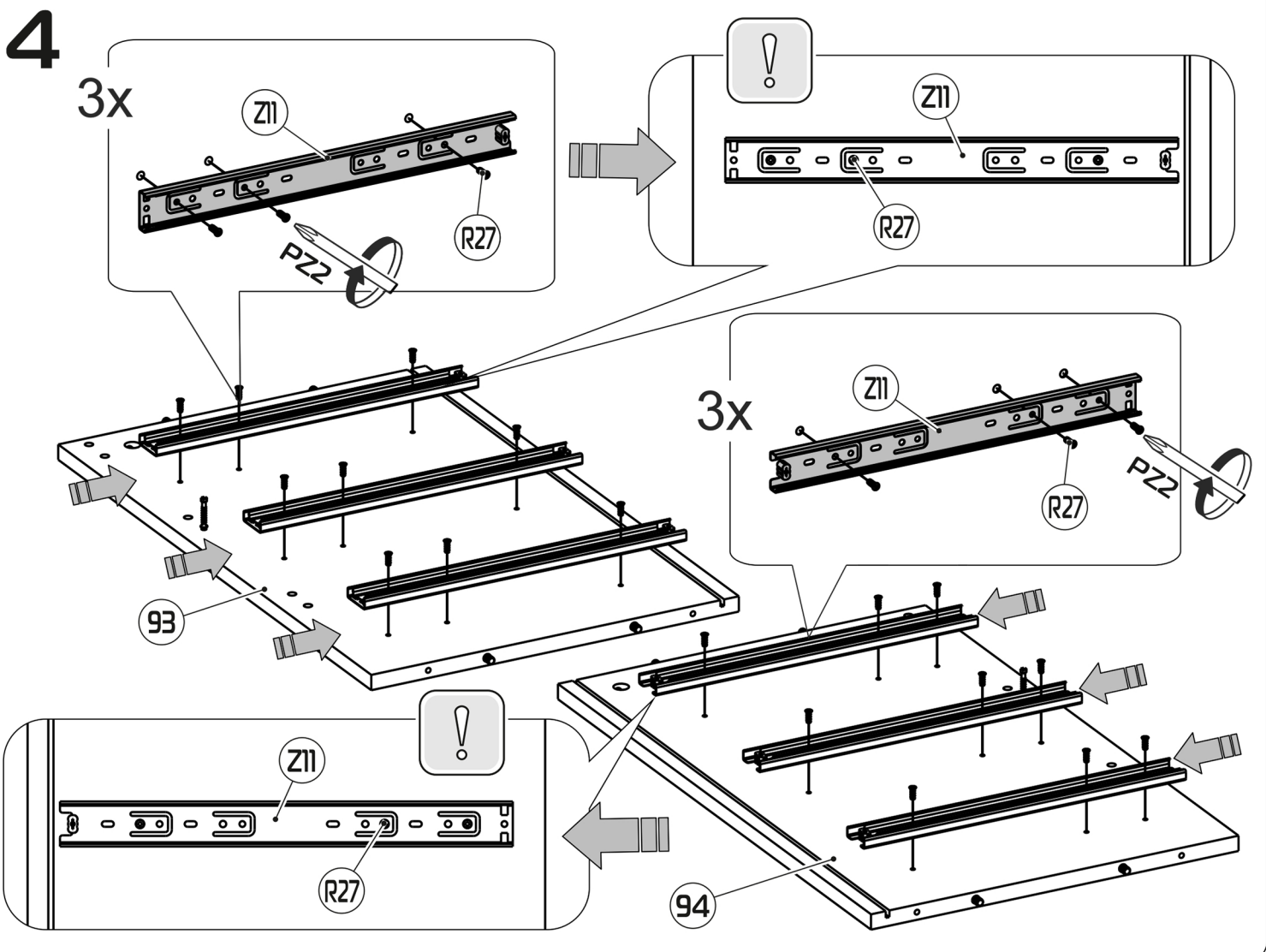
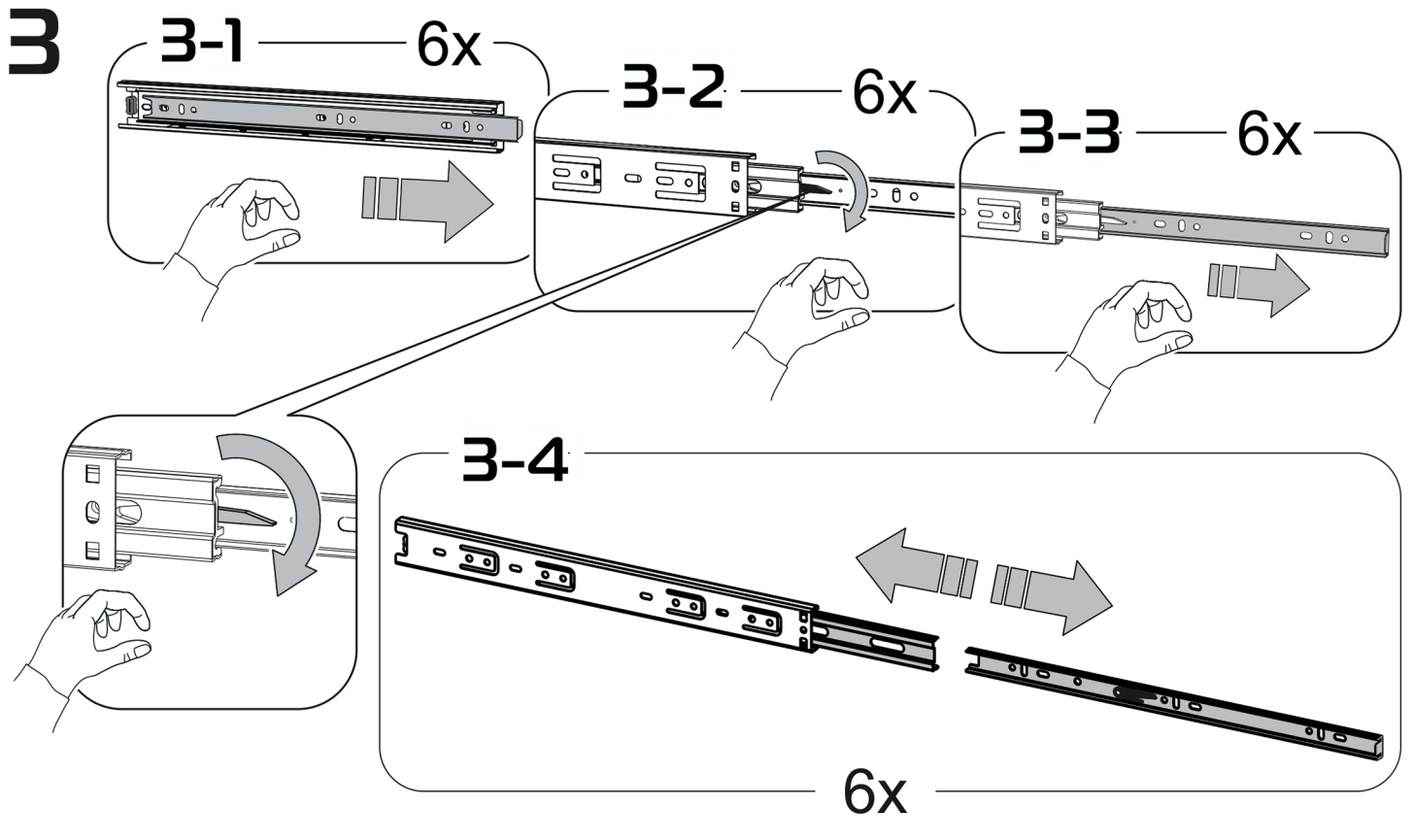


30x

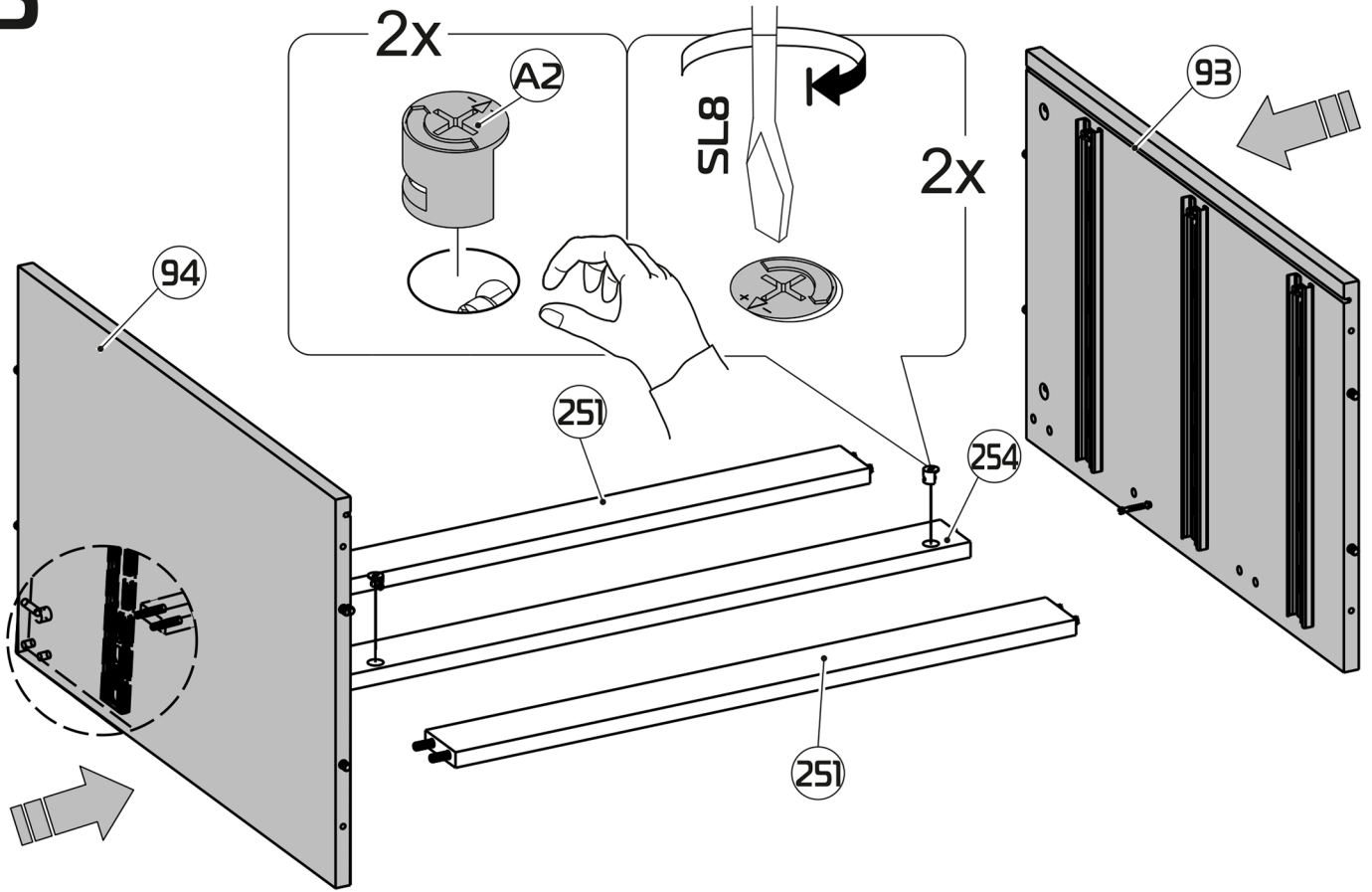


2

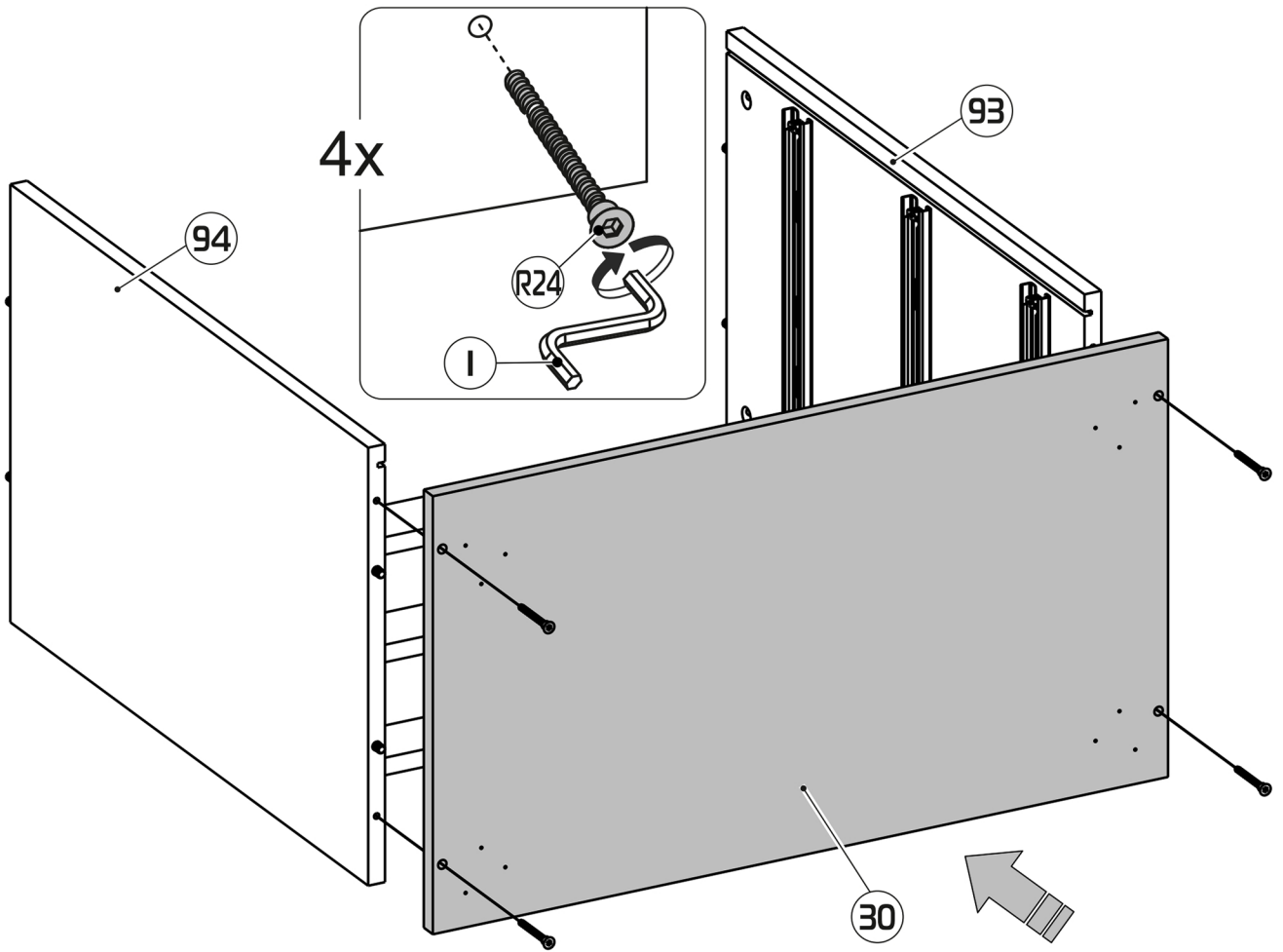




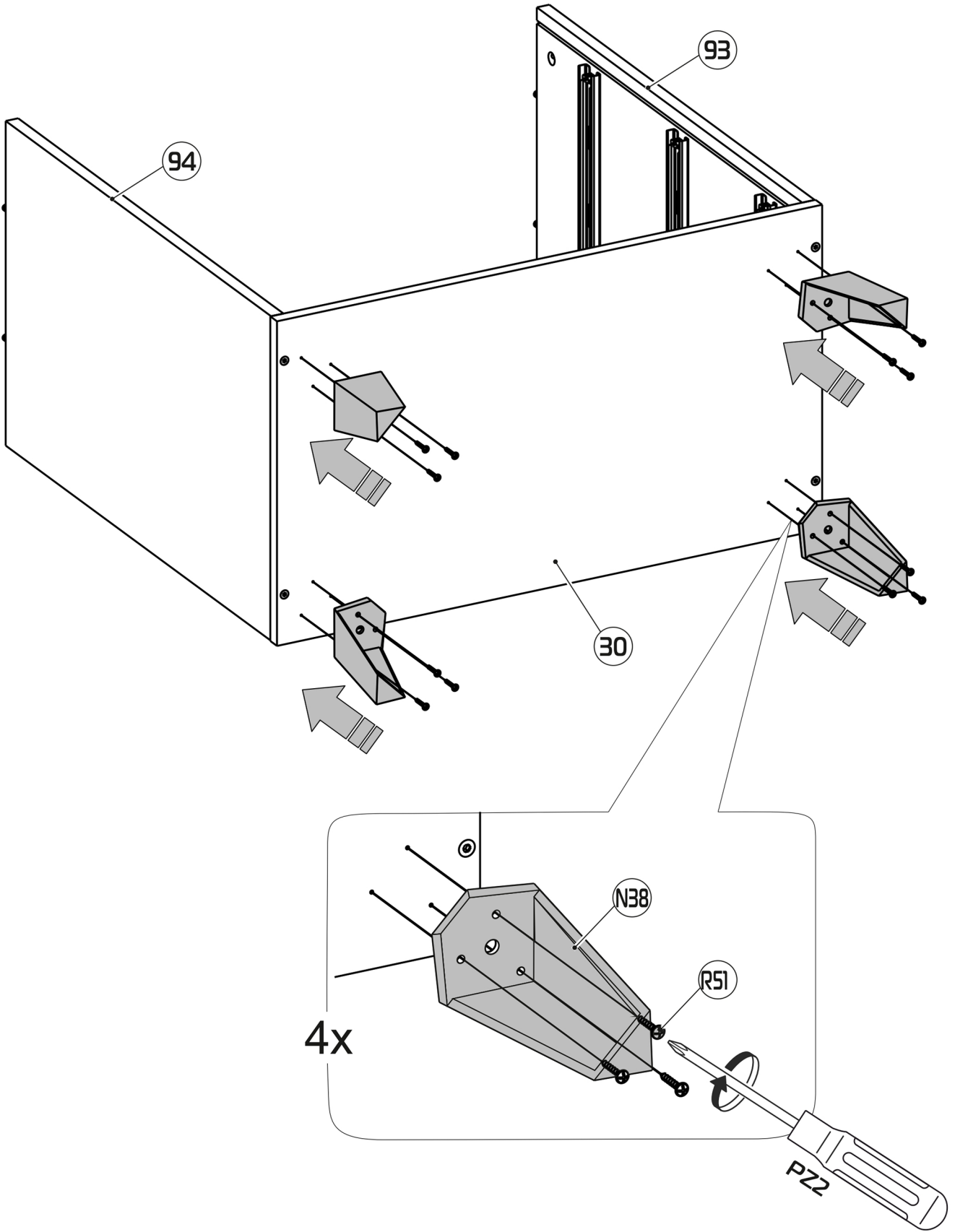
# 5



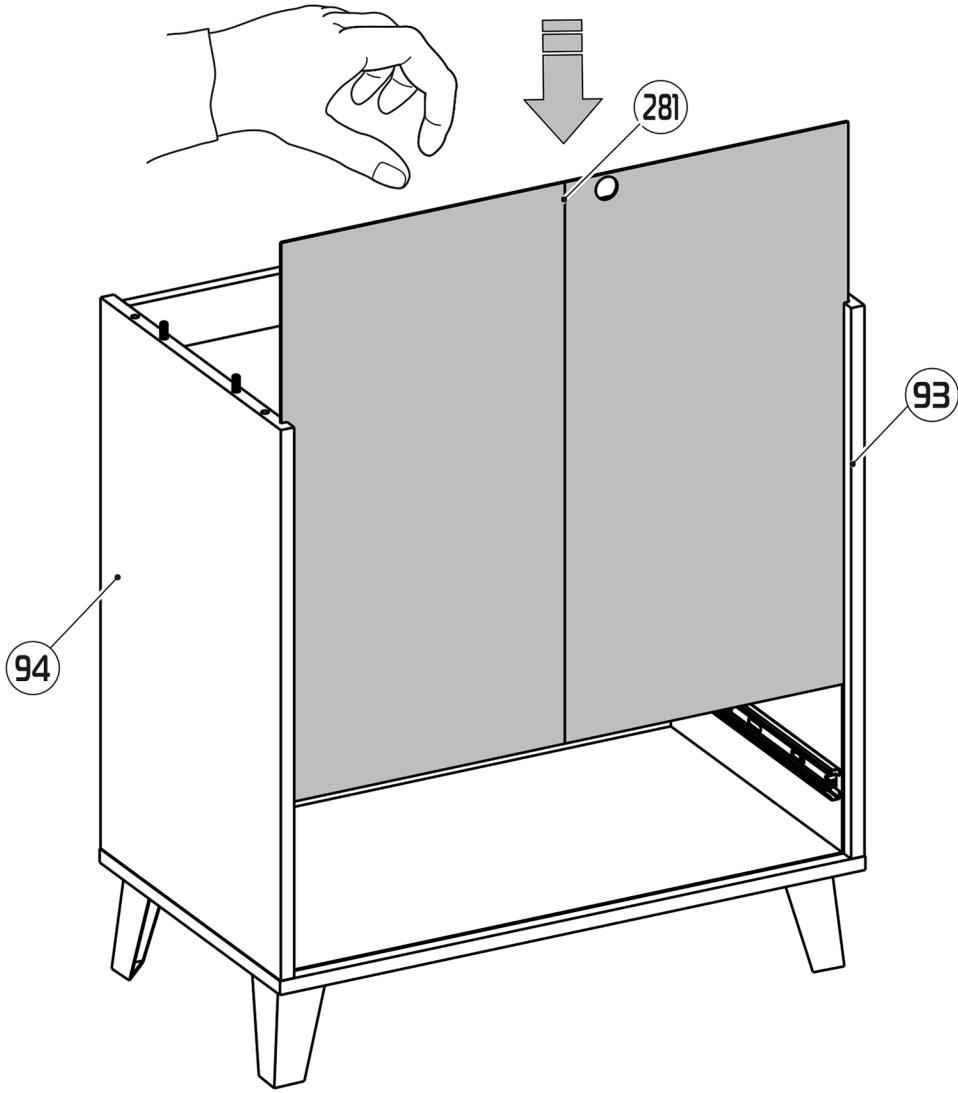
# 6



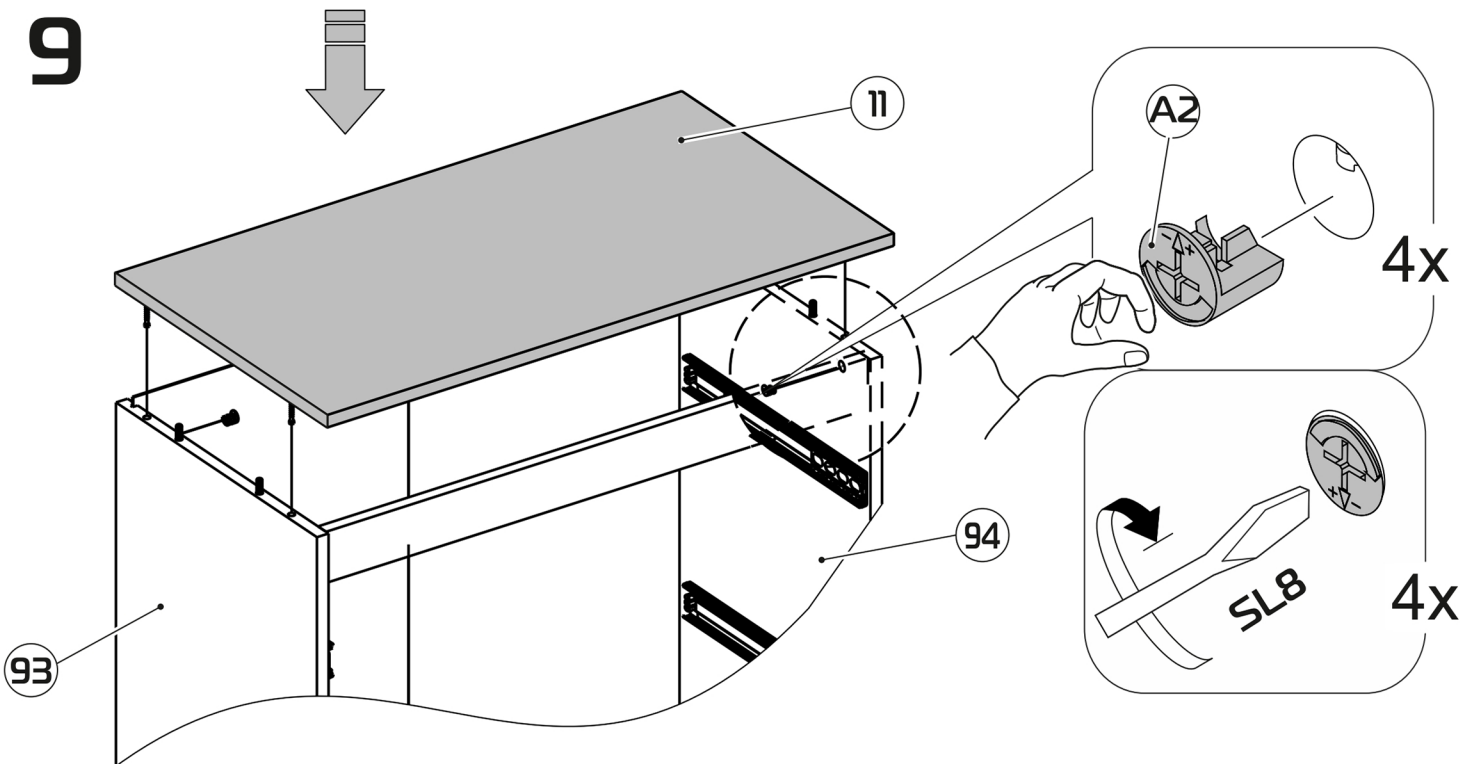
7



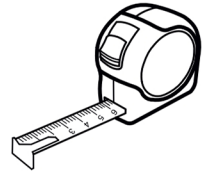
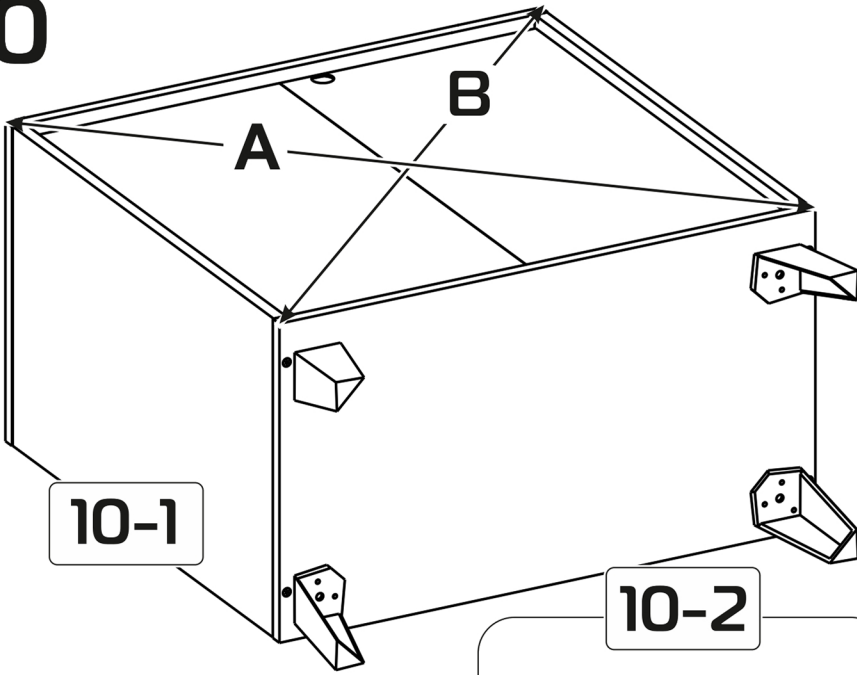
8



9



# 10



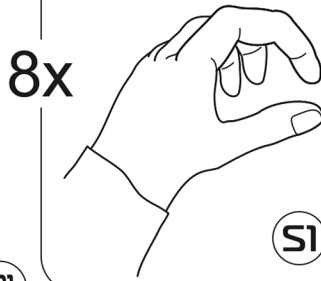
**A=B**

**10-1**

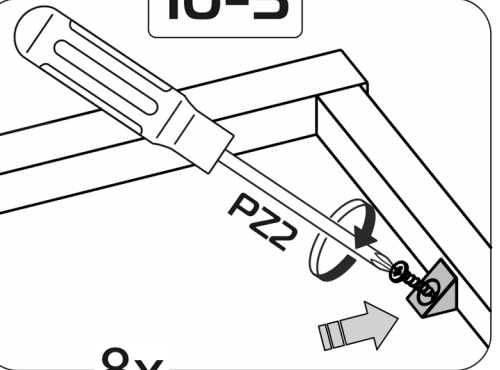
**10-2**

**10-3**

8x

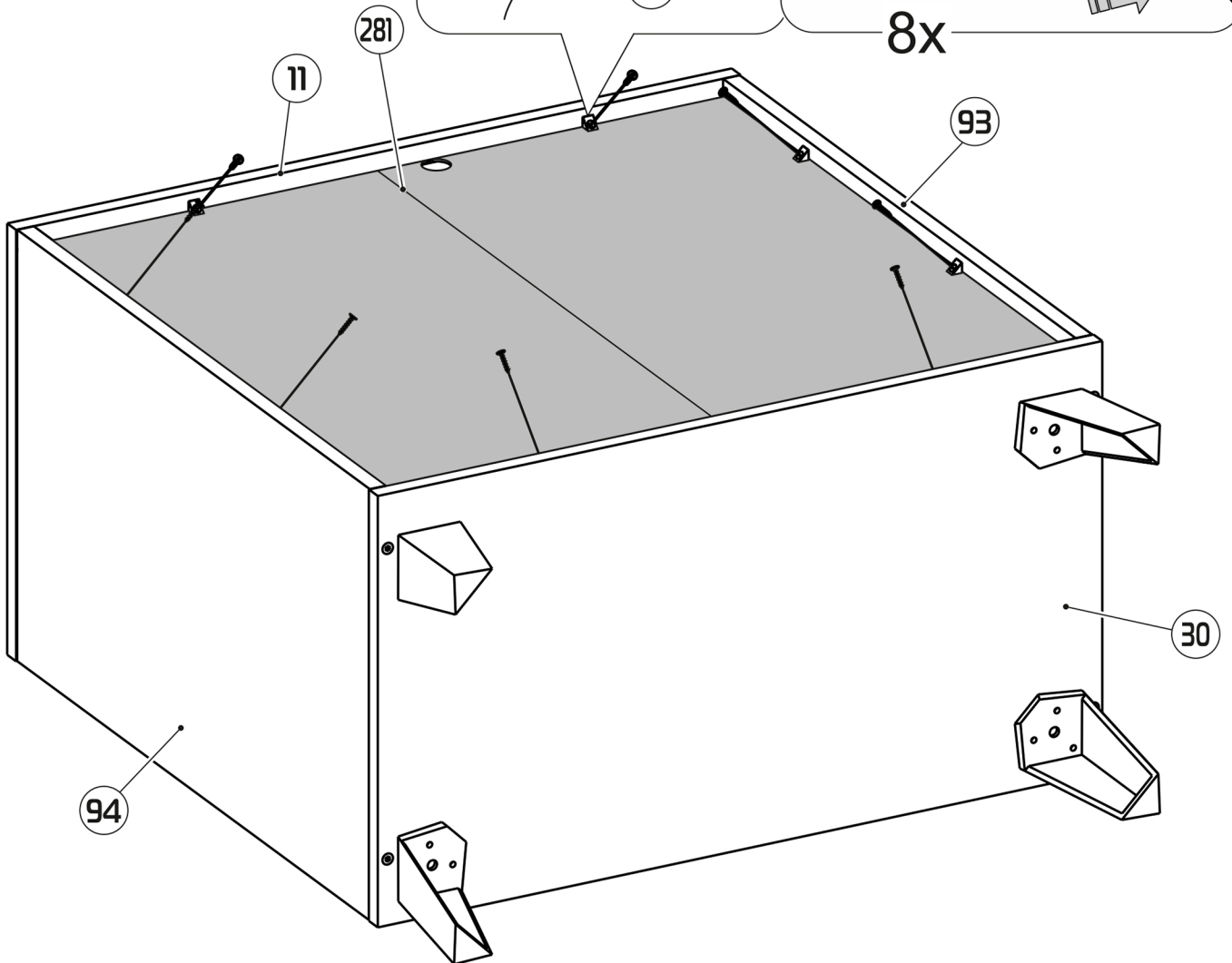


S1



PZ2

8x



11

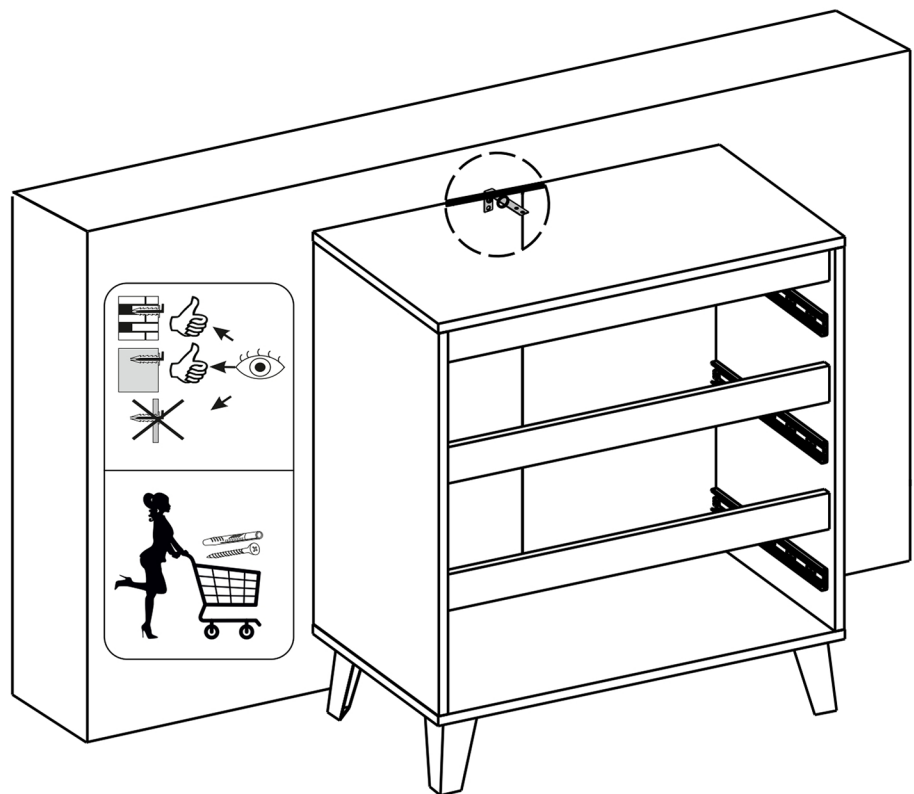
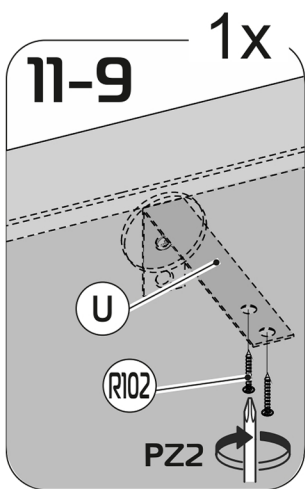
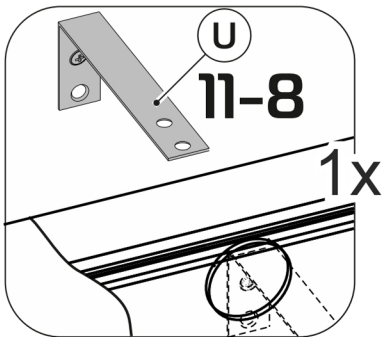
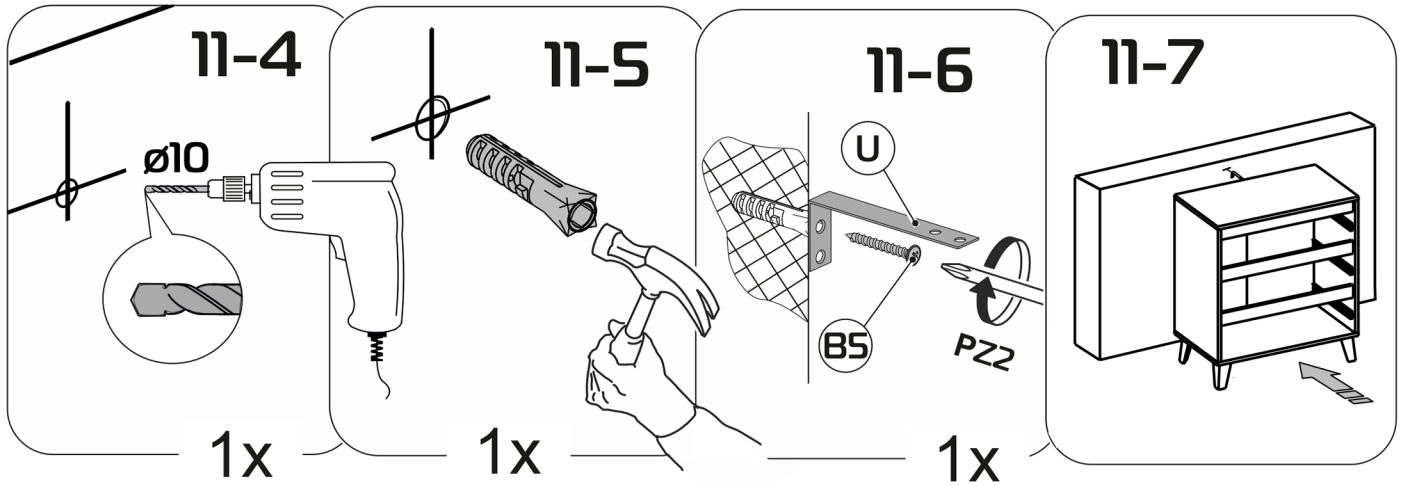
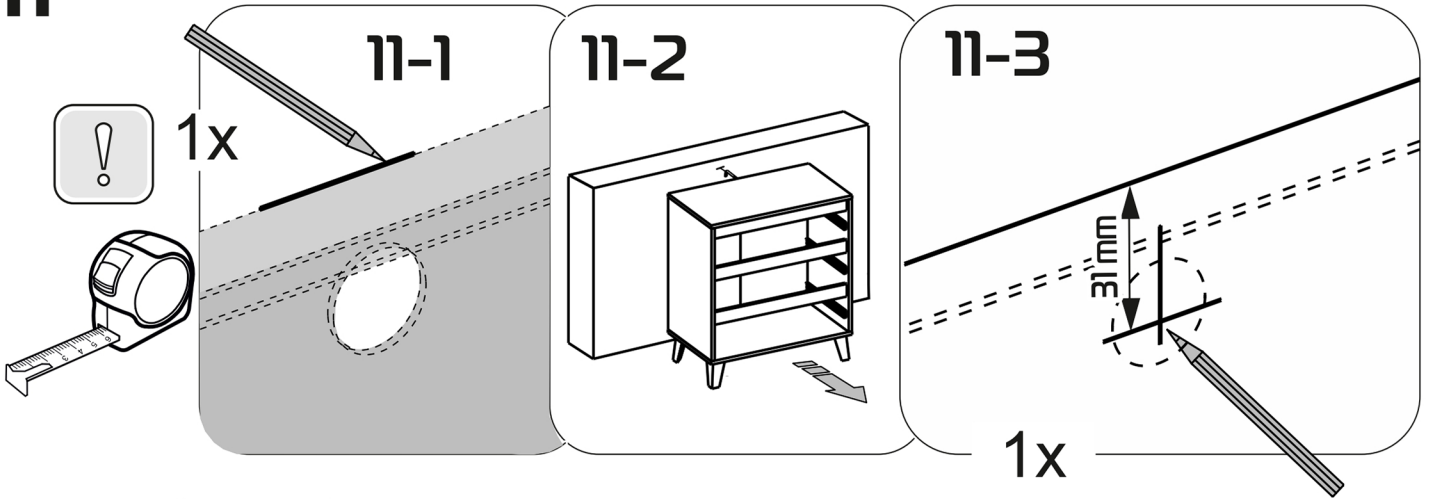
281

93

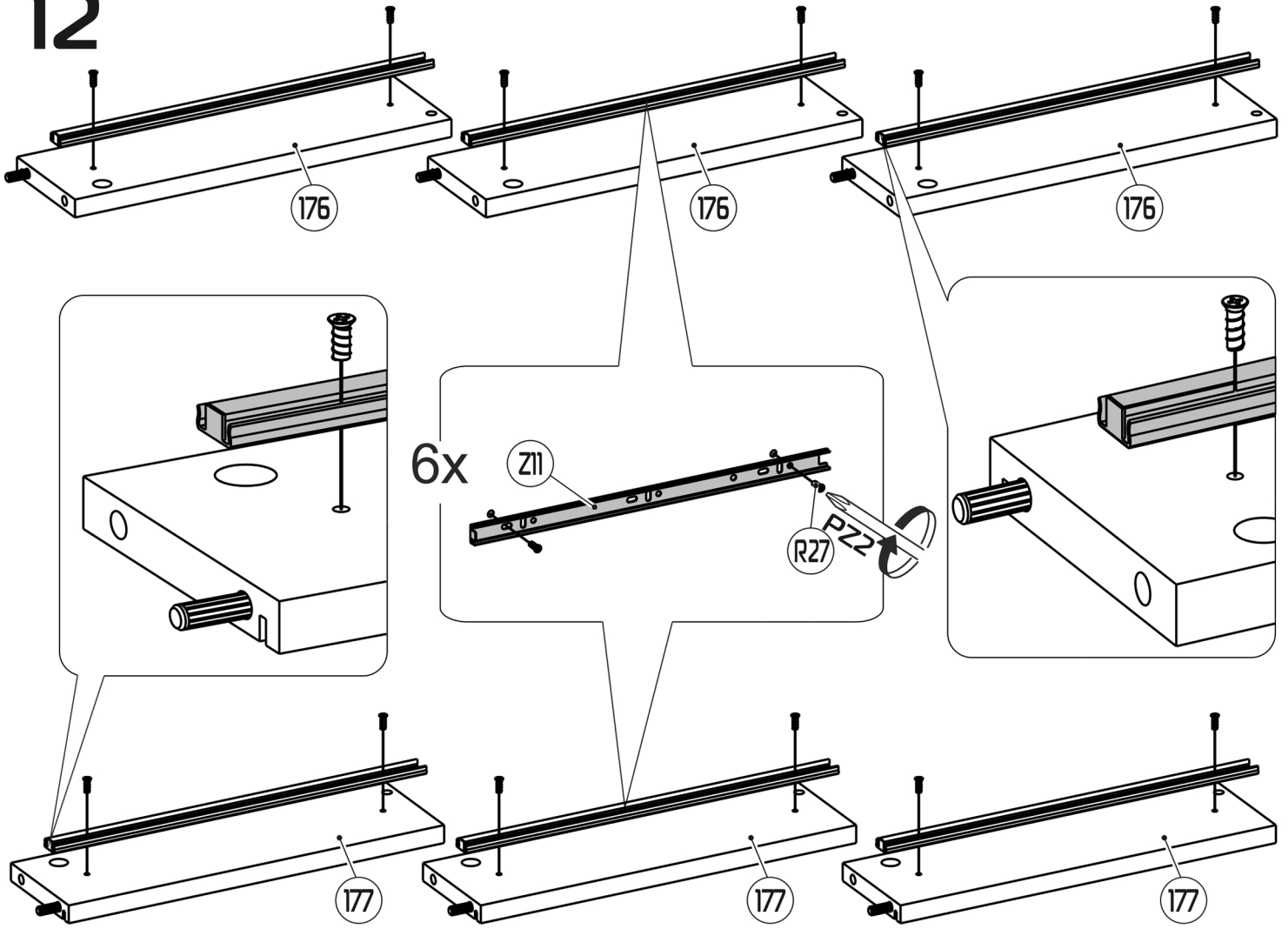
30

94

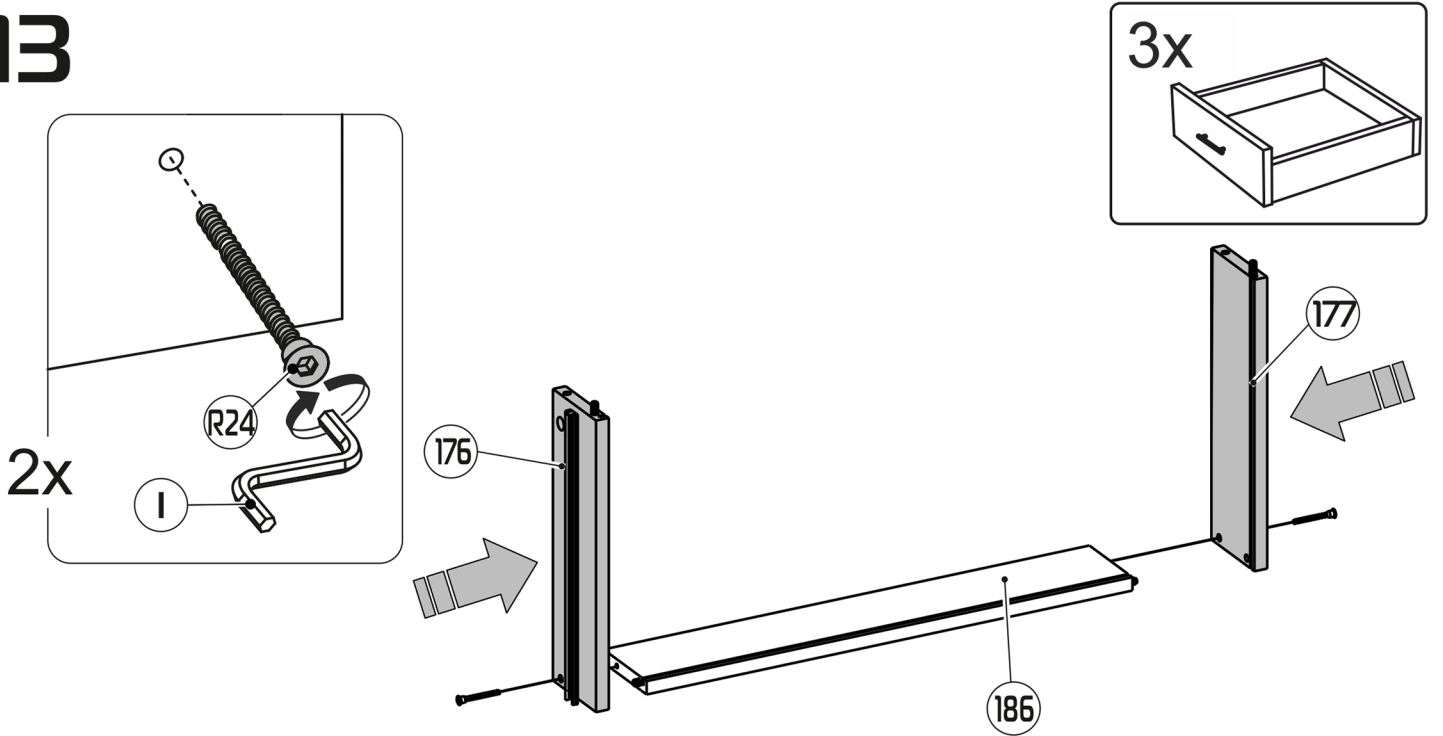
# 11



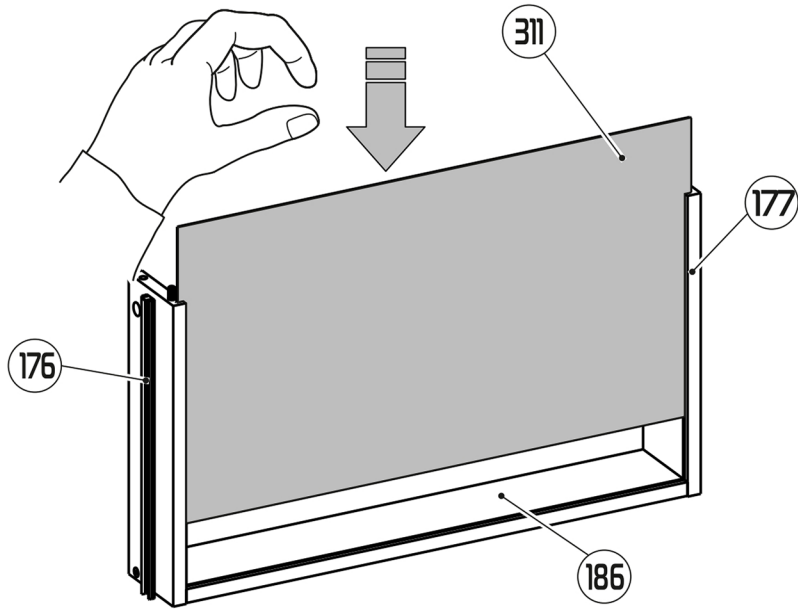
# 12



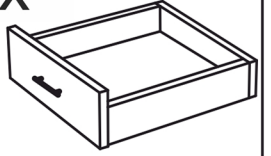
# 13



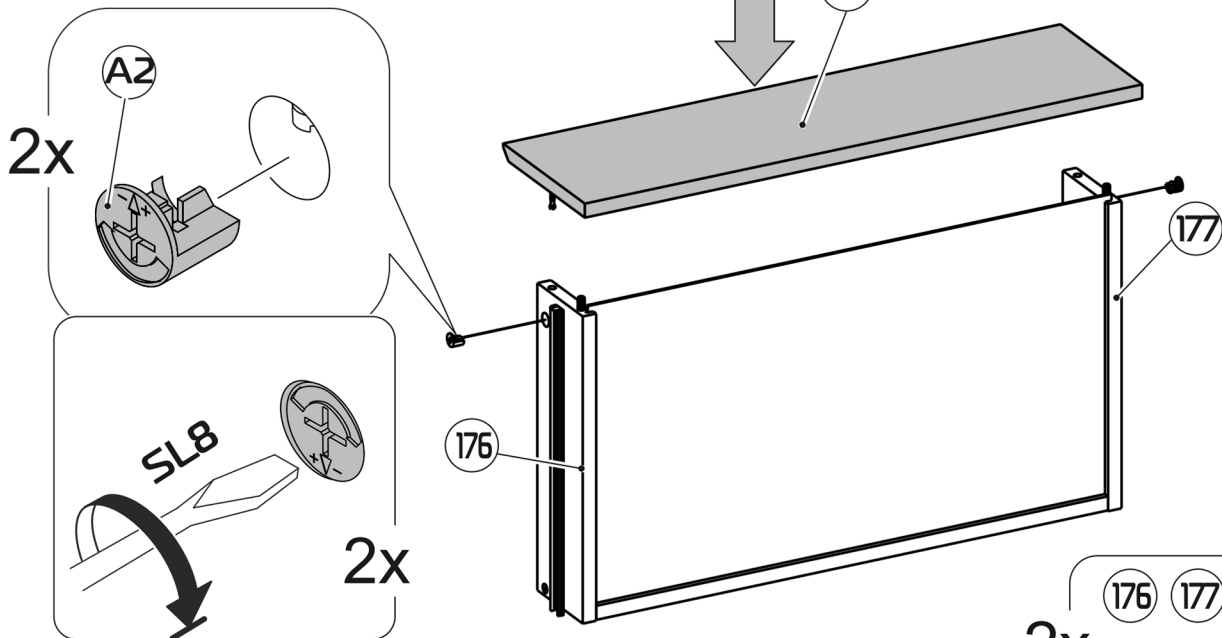
# 14



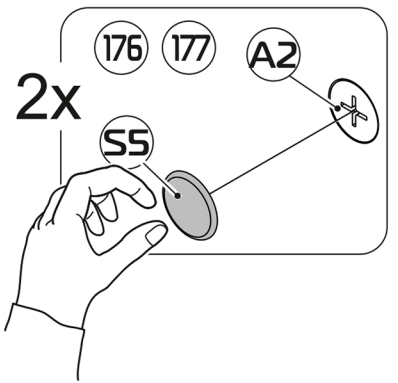
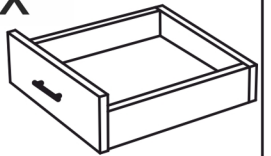
3x



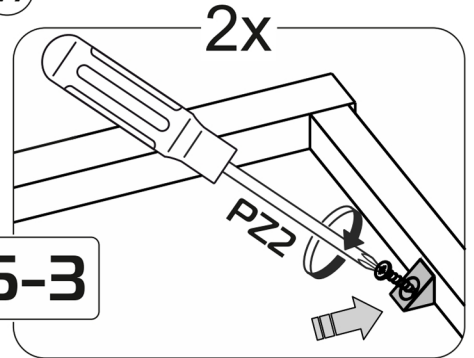
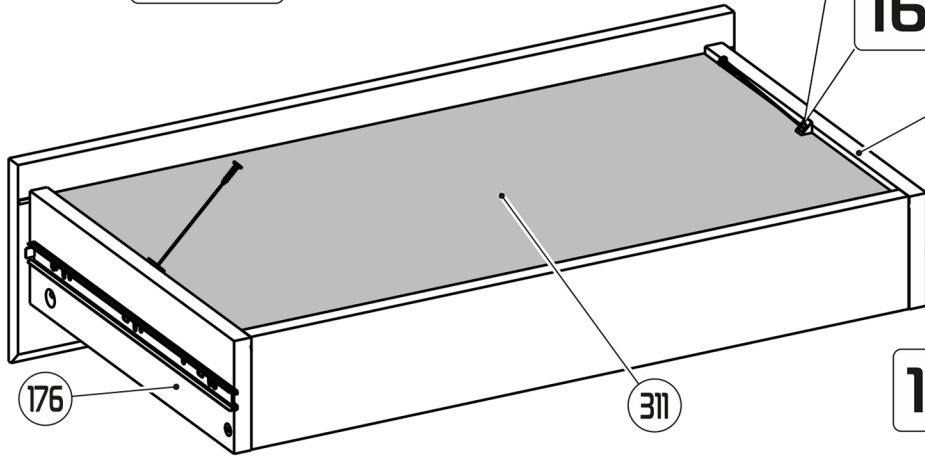
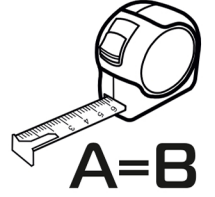
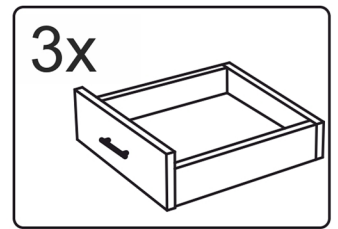
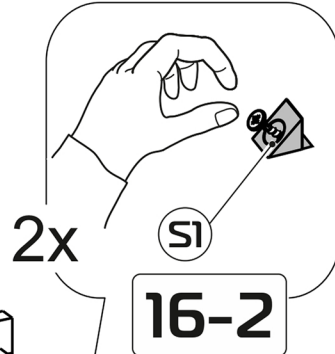
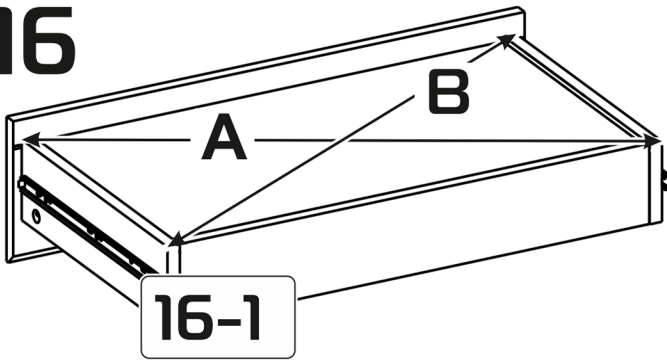
# 15



3x



# 16



# 17

