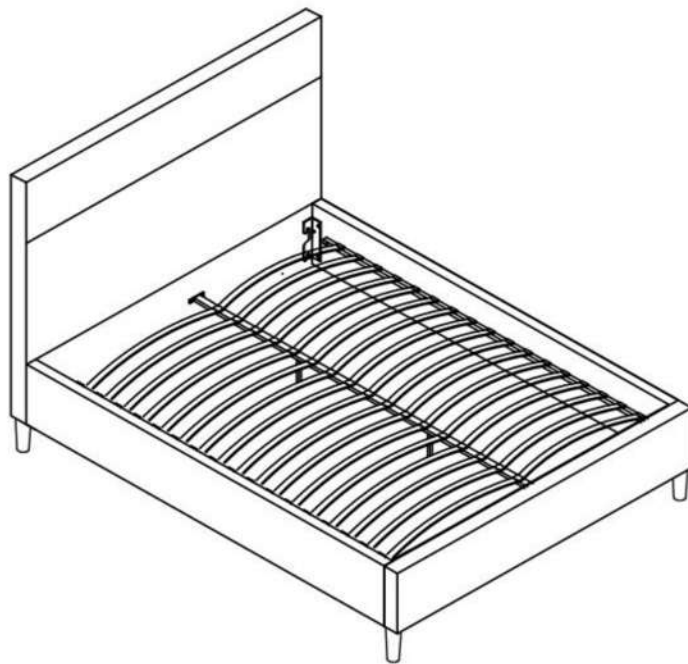


VOLITA 160x200



1

1. X1



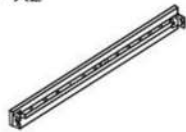
2. X1



3. X2



4. X2



5. X1
1X



6. X34
34X



7. X17



8. X34



9. X4



(A) M8*25mm*12



(B) M8*30mm*4



(C) Nut M8*4



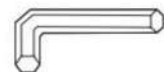
(D)*8



(E)*8



(F) M5*1

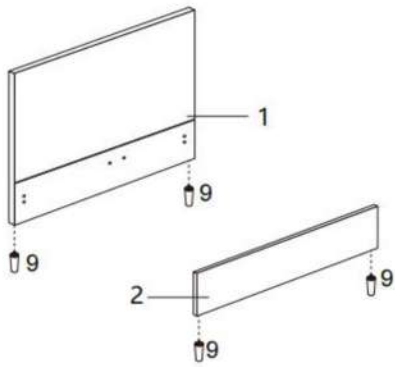


(G)*1

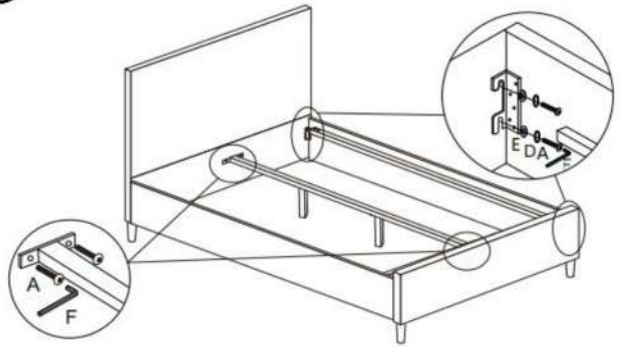


2

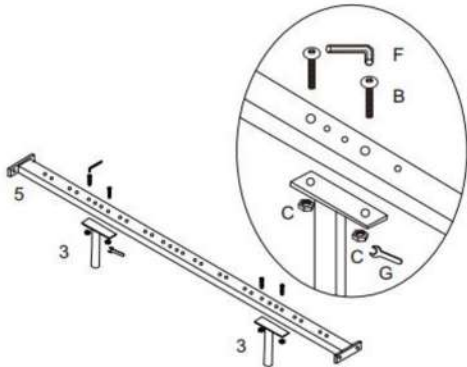
1



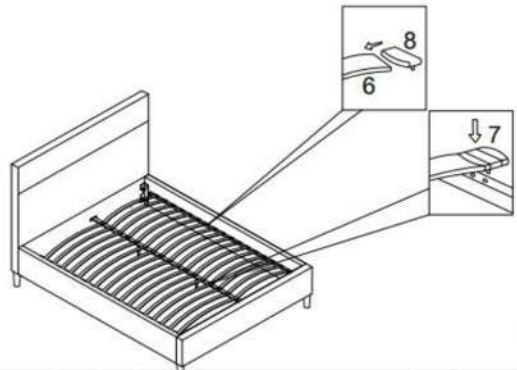
3



2



4



3