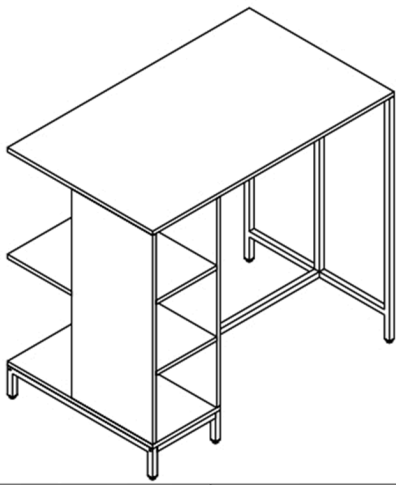


FIGO



A x21 	B x21 	C x6 M6*30 	D x6 M6*35
E x10 	F x6 	G x6 	H x1 M3
I x1 M4 	J x1 		

