










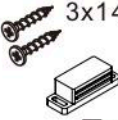





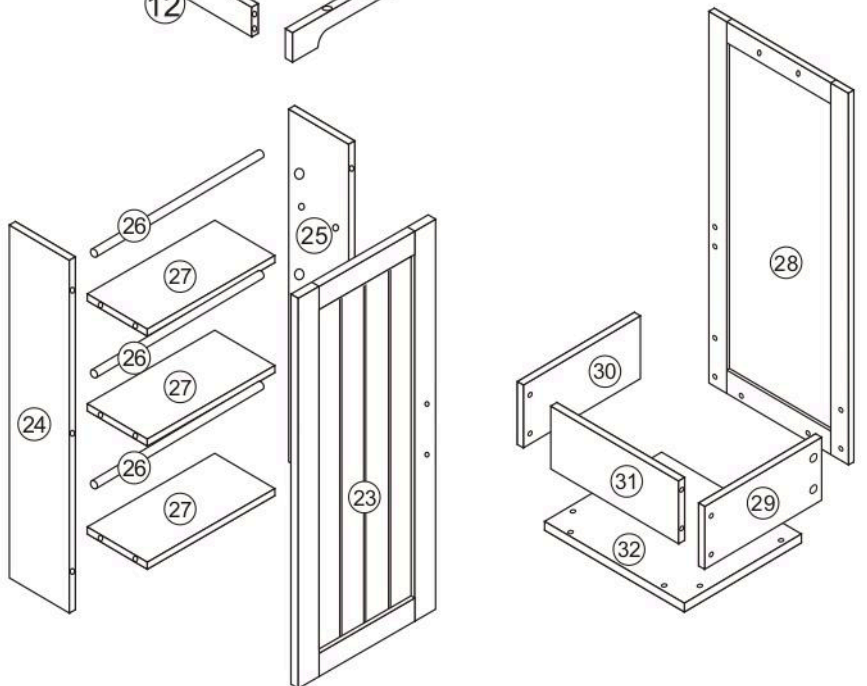
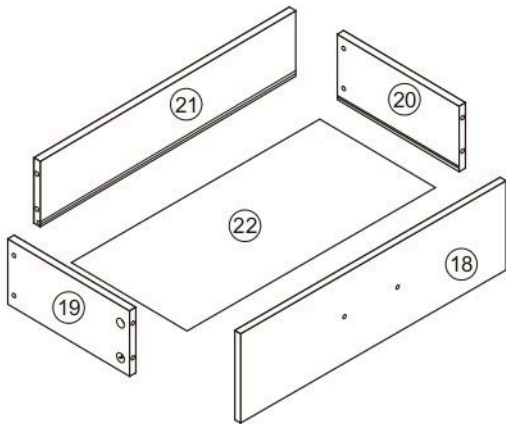
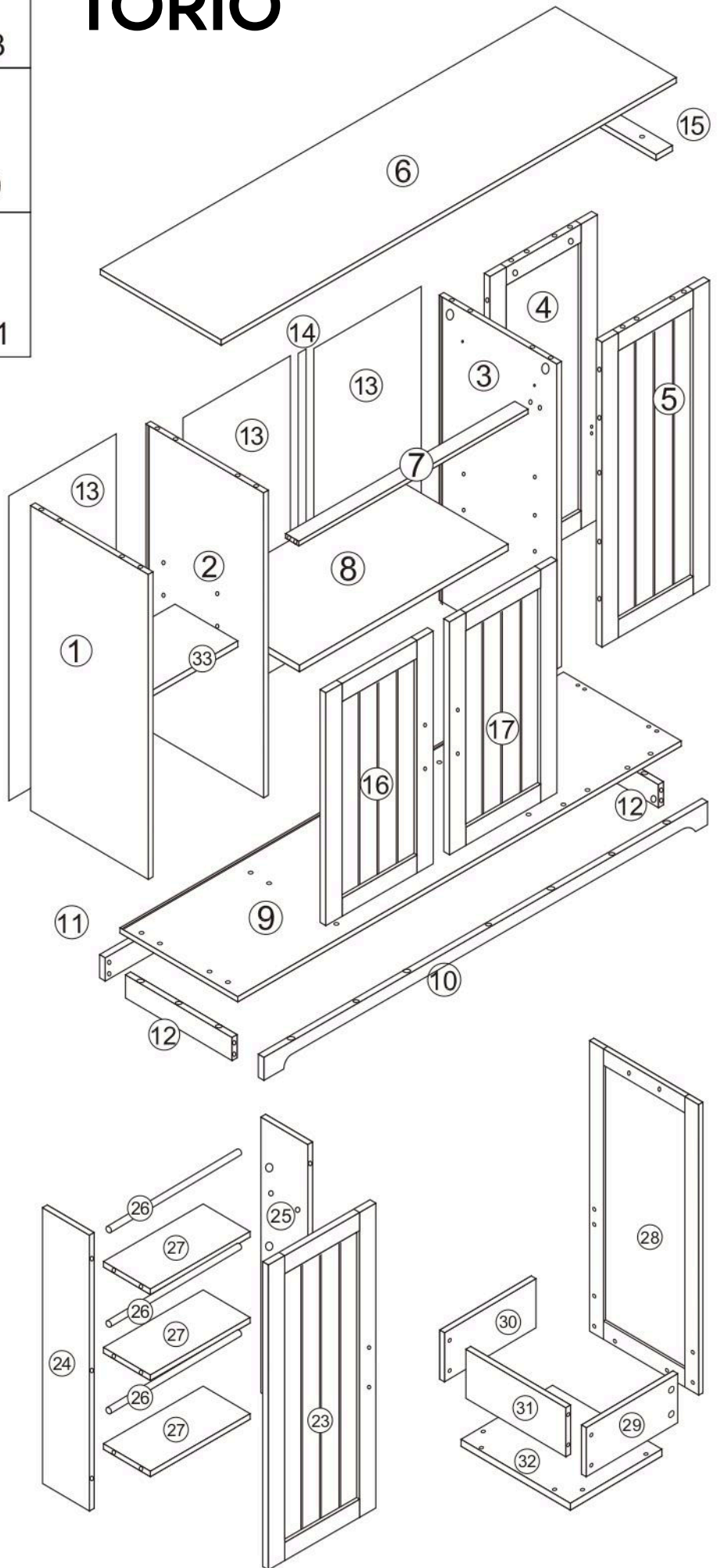
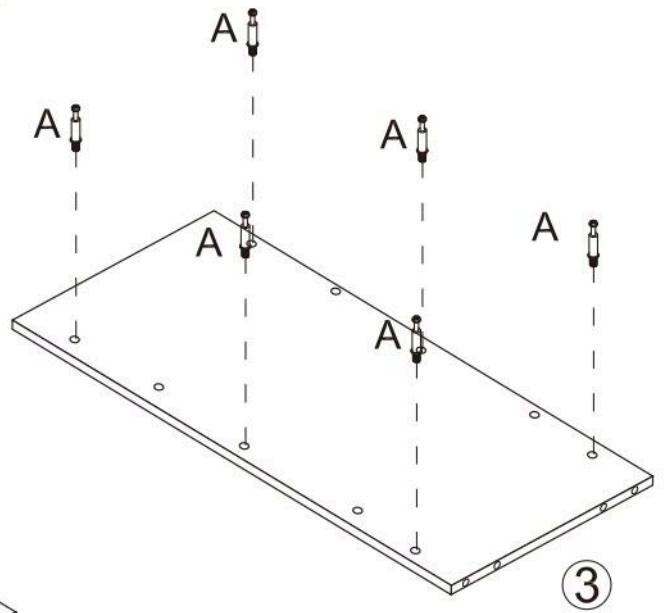
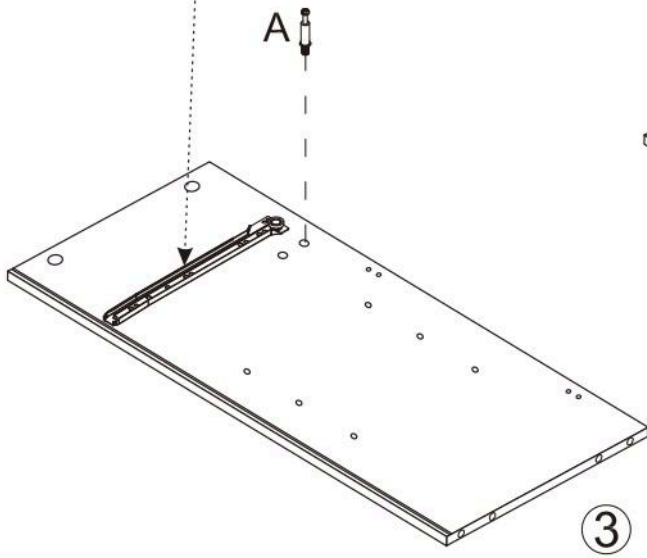
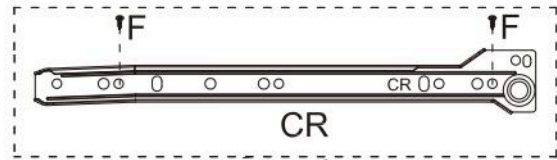
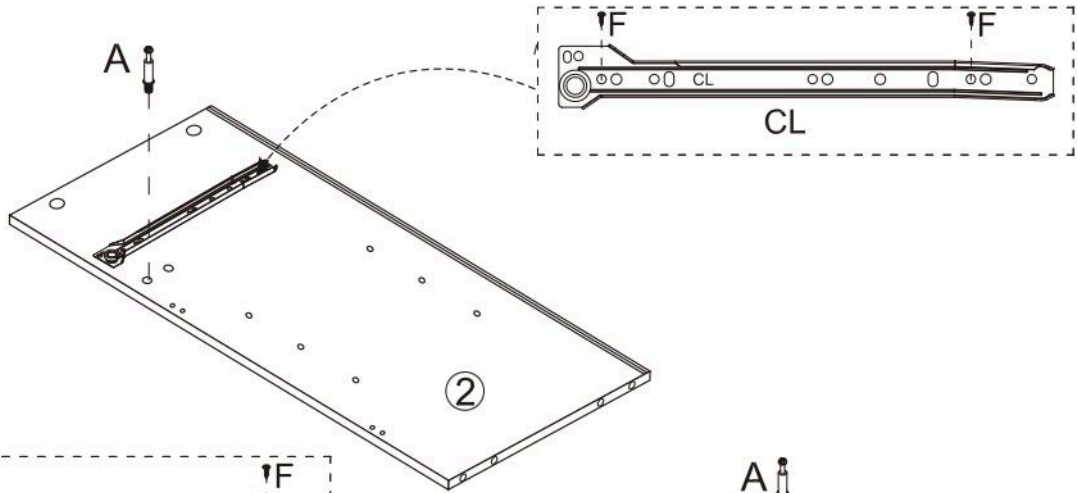


# TORIO

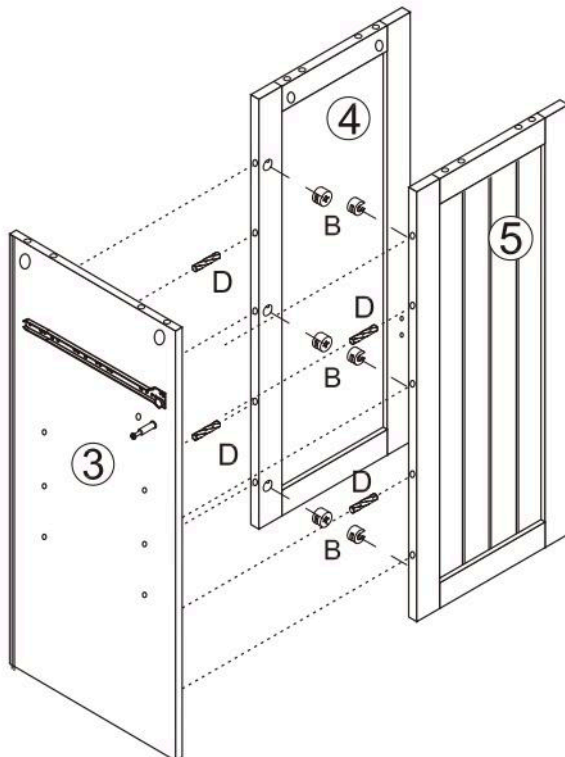
|   |  |  |
|---|--|--|
| <br>Ax50               | <br>Hx4              | <br>Kx3 |
| <br>Bx50              | <br>Ix8             | <br>Lx9 |
| 4x35mm<br><br>Cx36    | <br>CLx1            | <br>Mx1 |
| <br>Dx38              | <br>CRx1            |  |
| <br>3x14mm<br>Ex2     | <br>DLx1            |  |
| 3x12mm<br><br>Fx51 | <br>DRx1          |  |
| 4x20mm<br><br>Gx8   | 4x20mm<br><br>Jx3 |  |



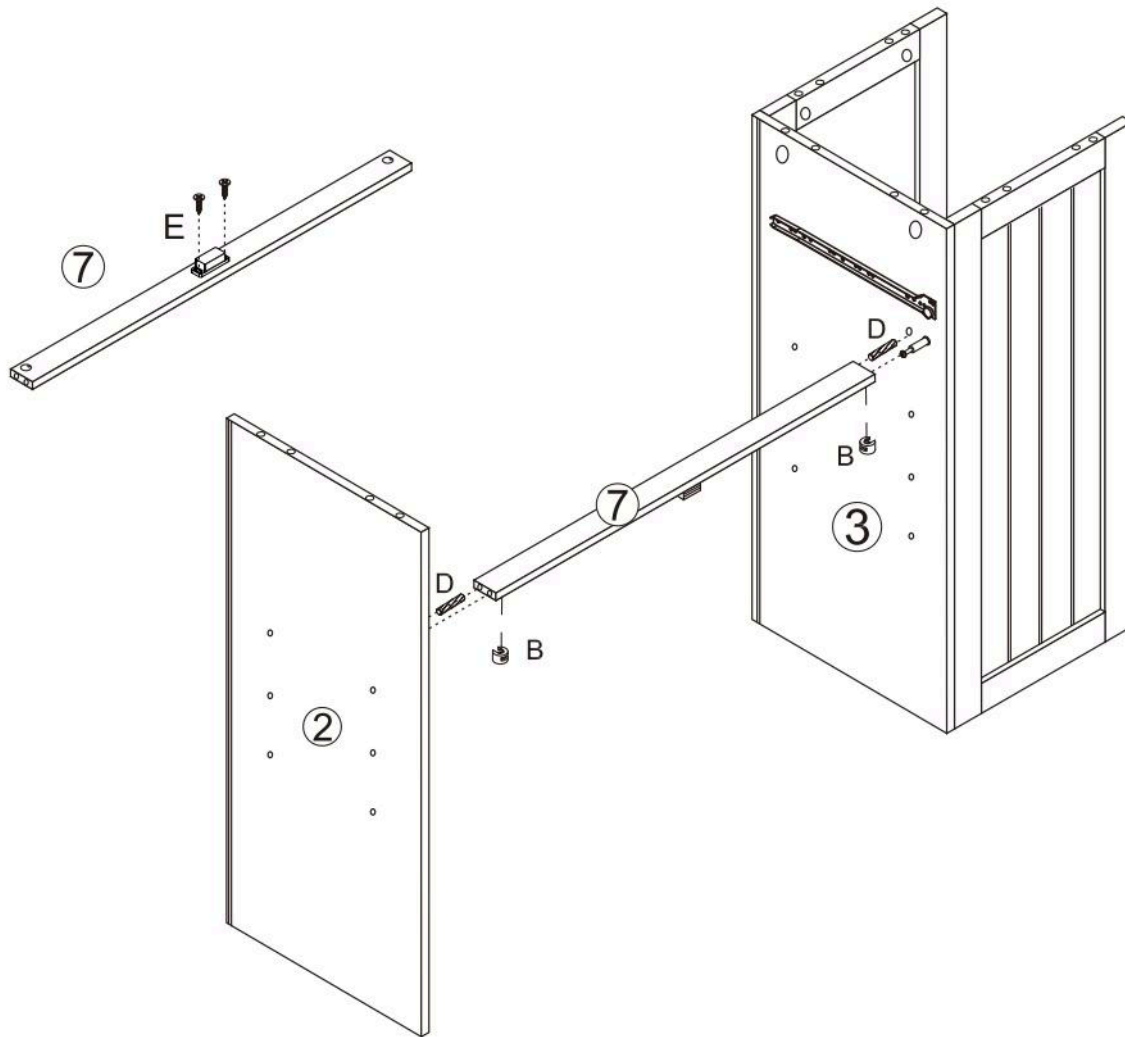
1



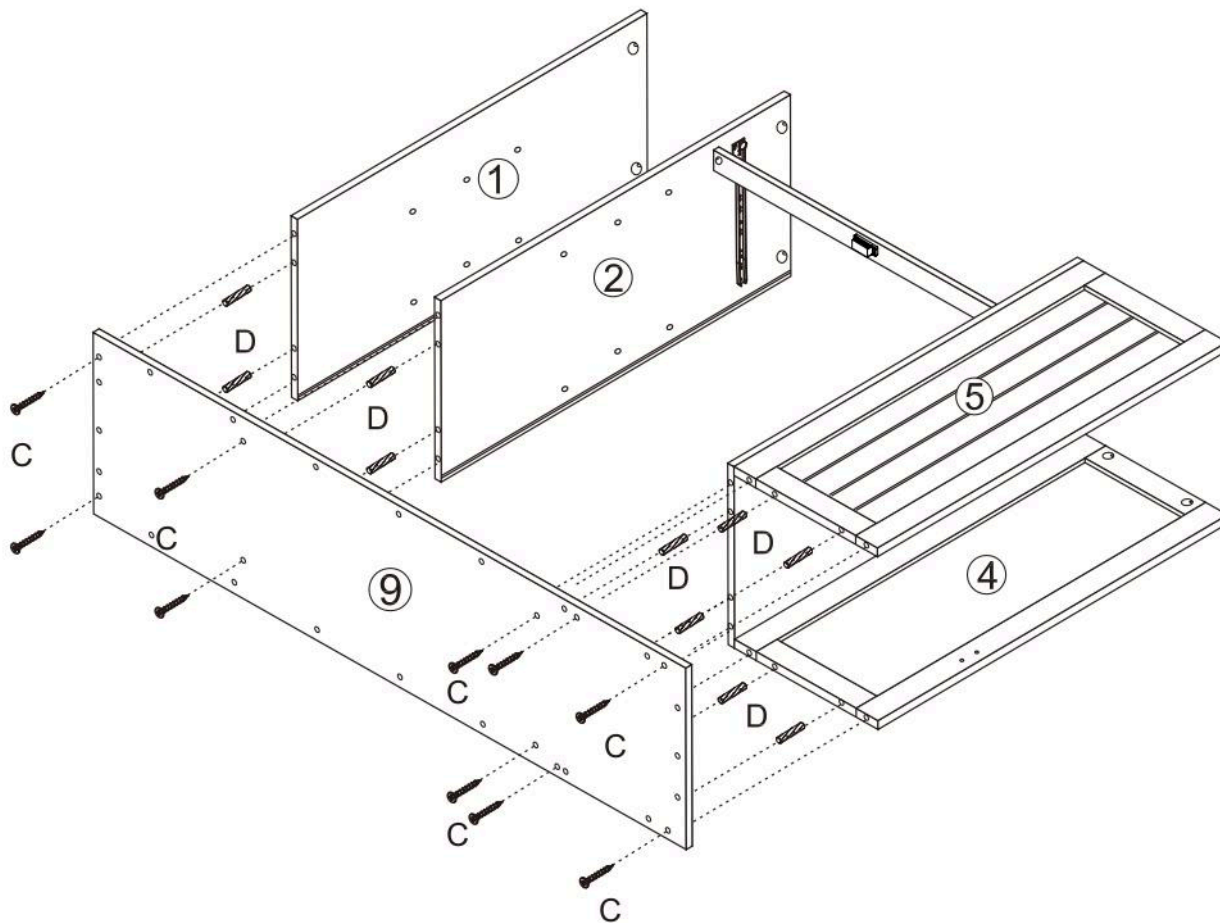
2



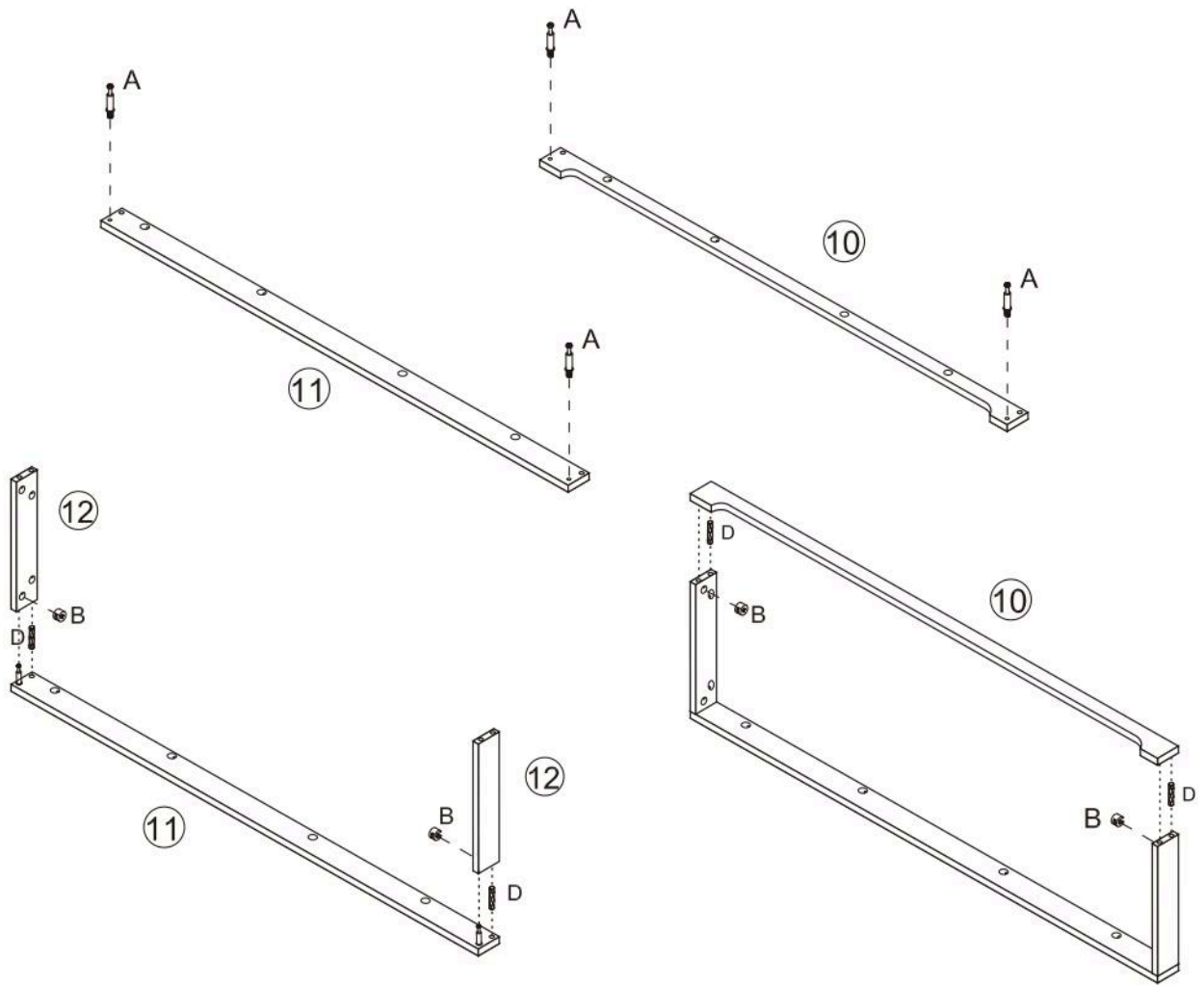
3



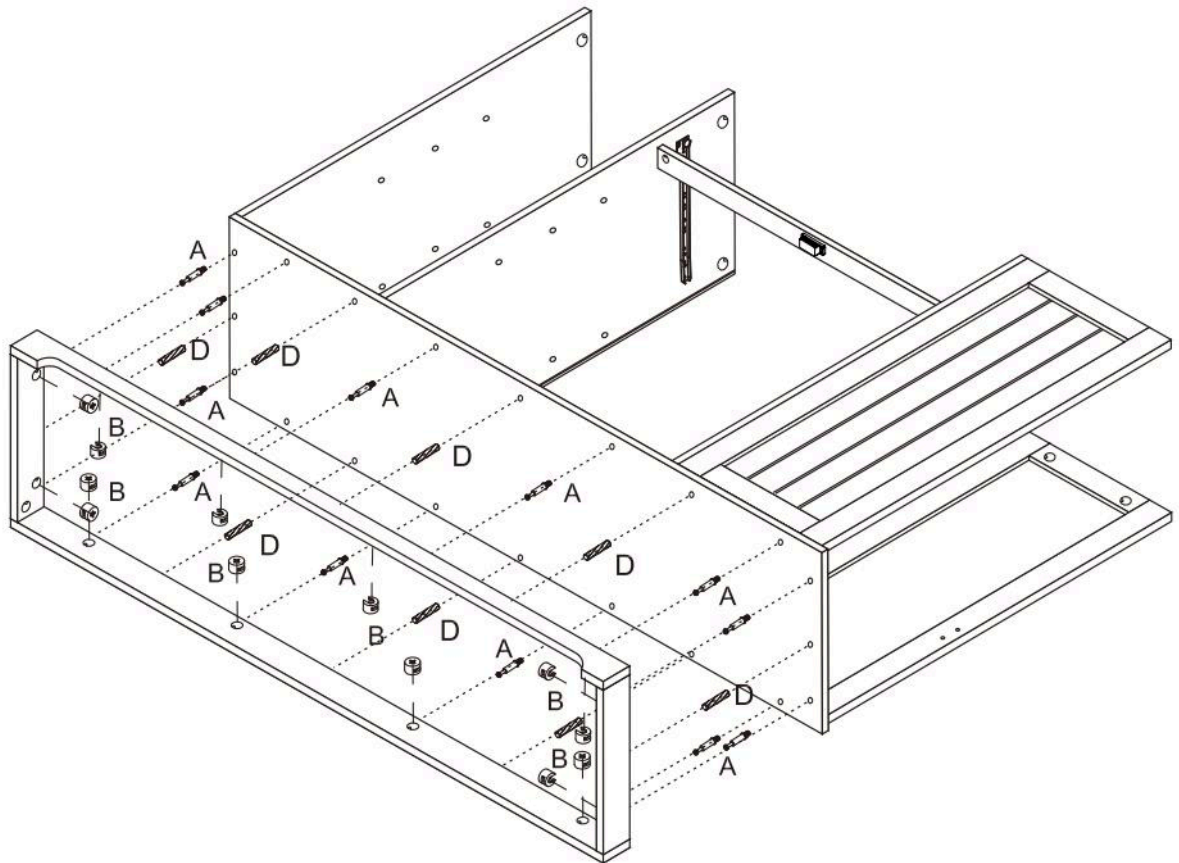
4



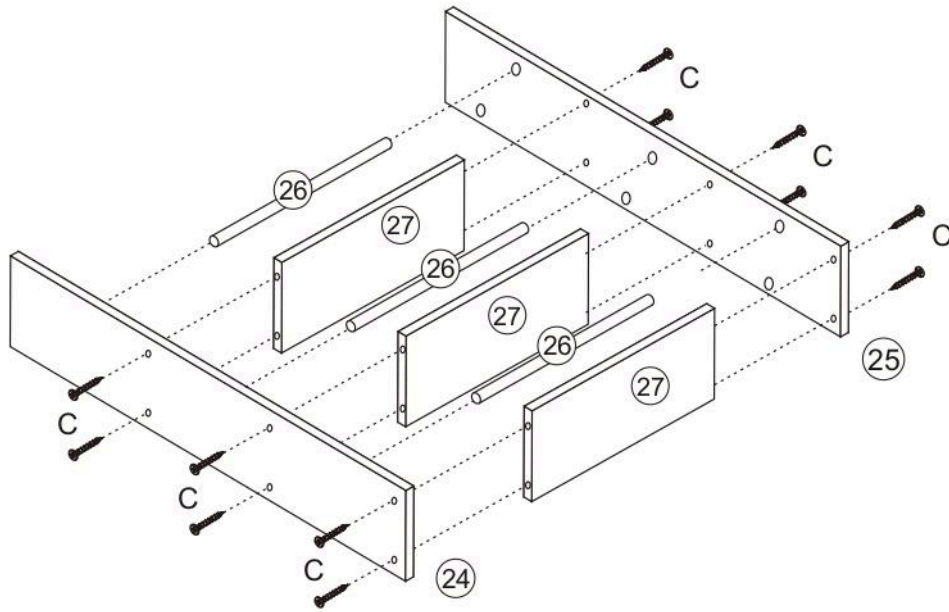
5



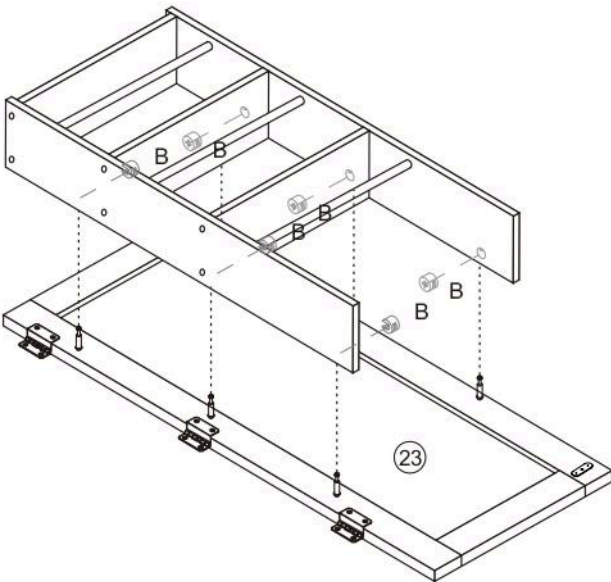
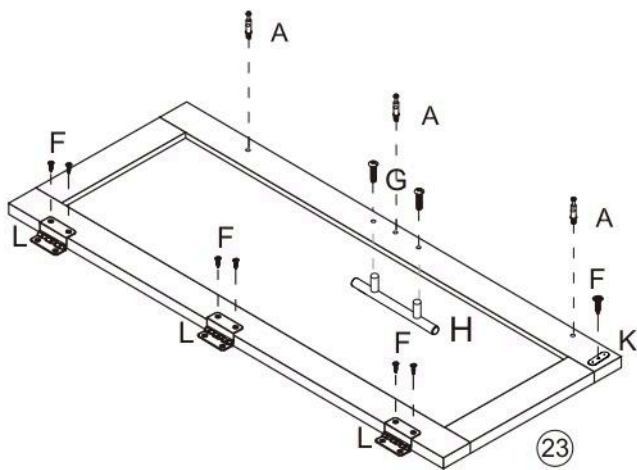
6



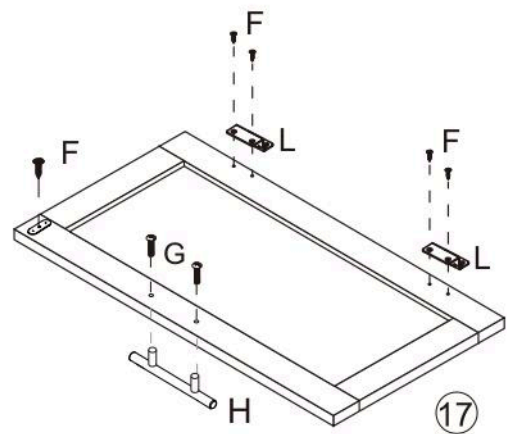
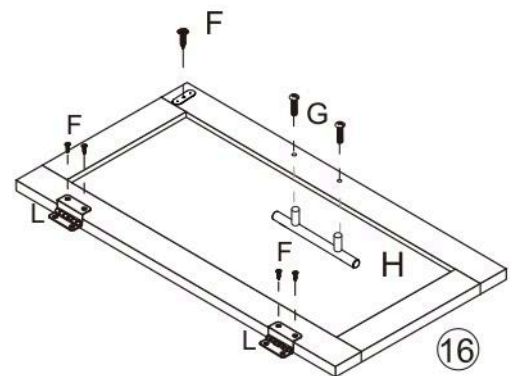
7



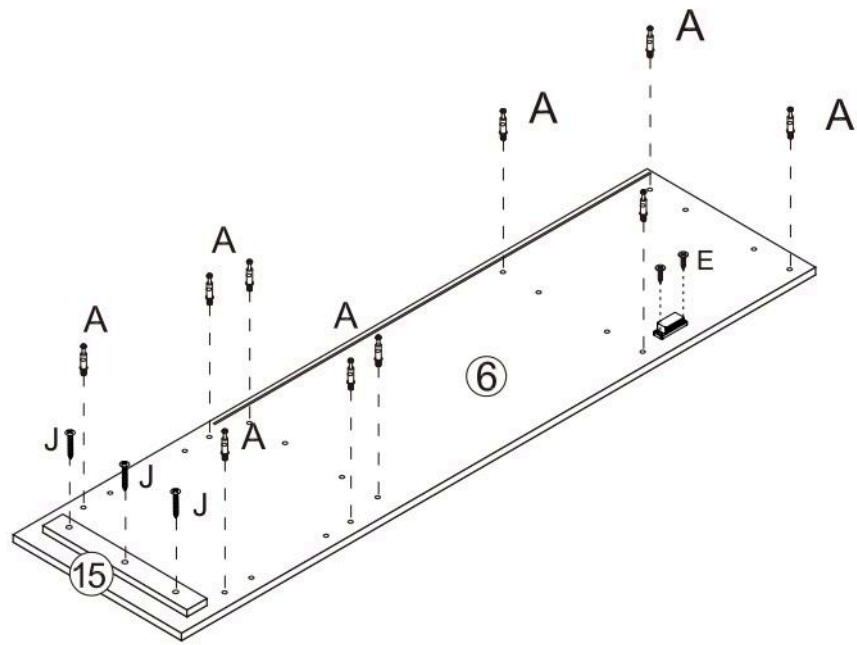
8



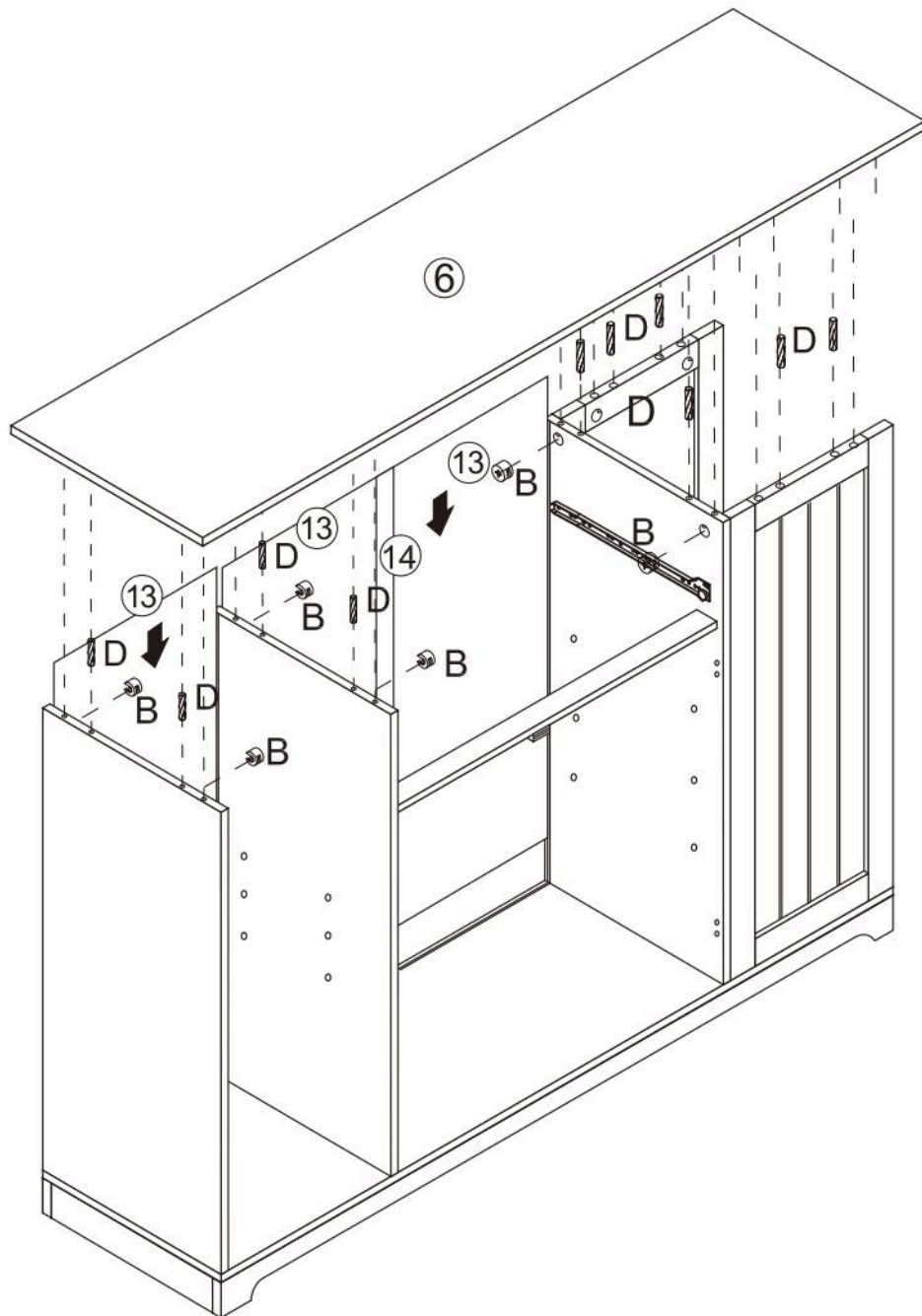
9



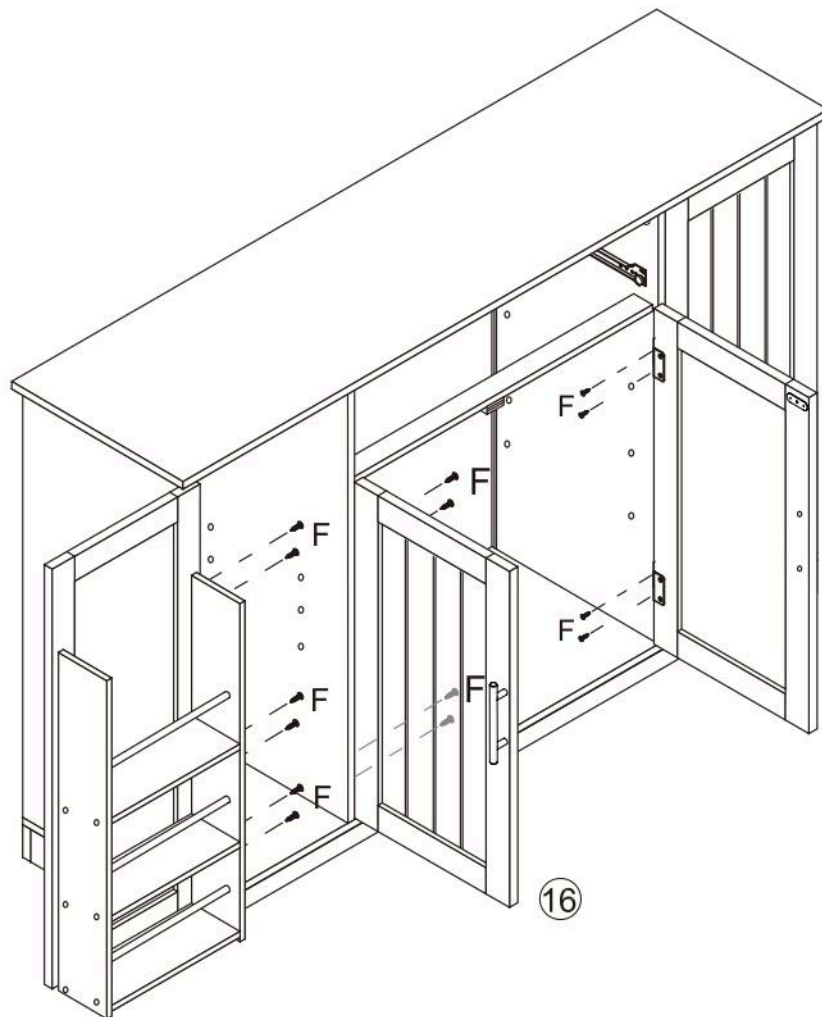
10



11



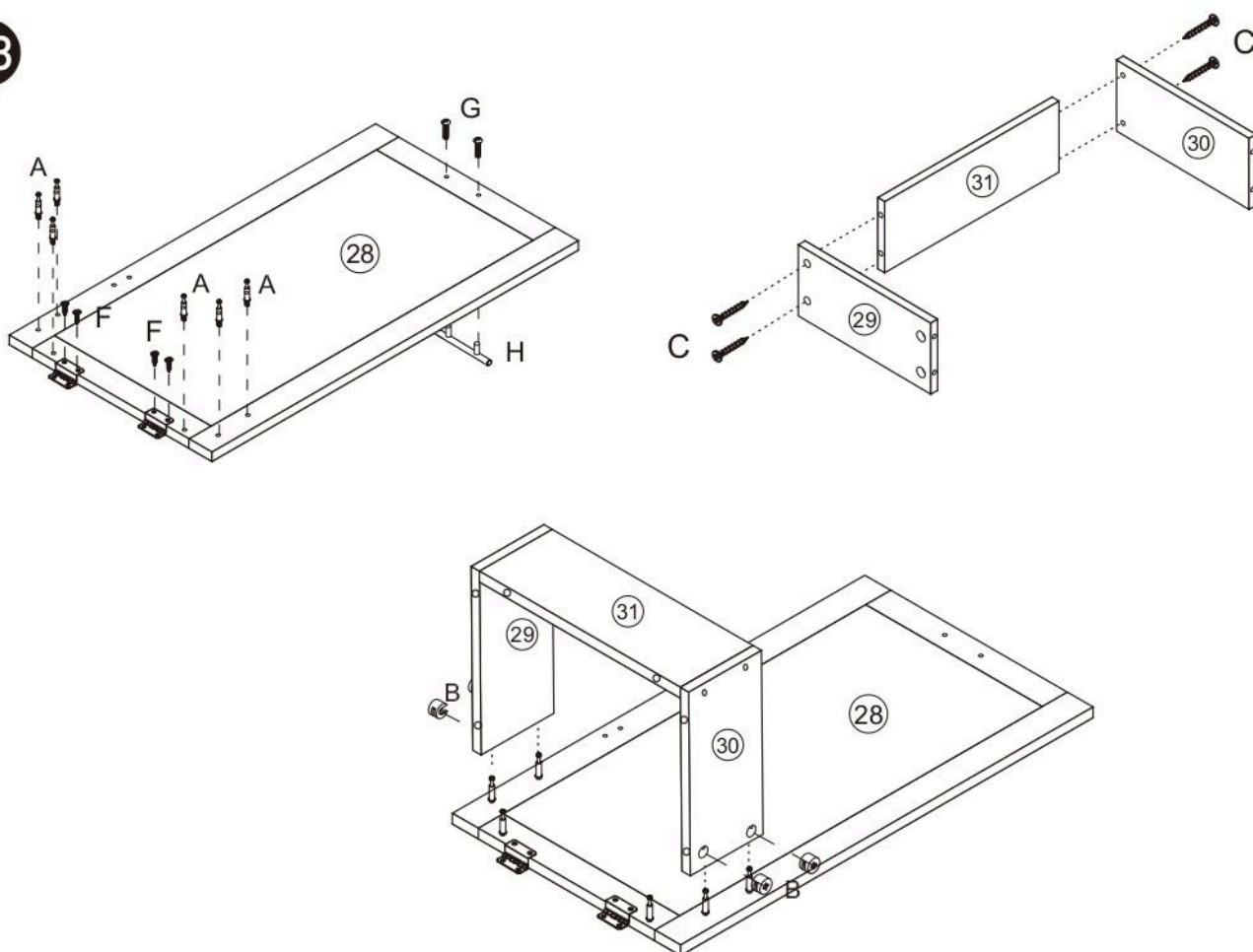
12



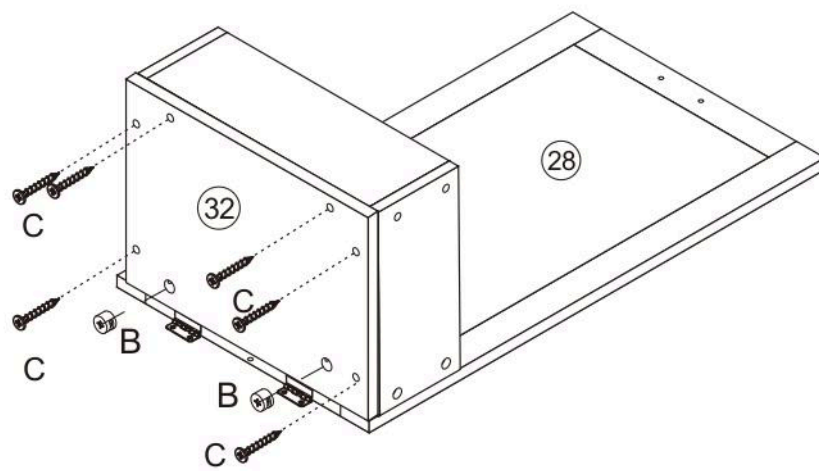
17

16

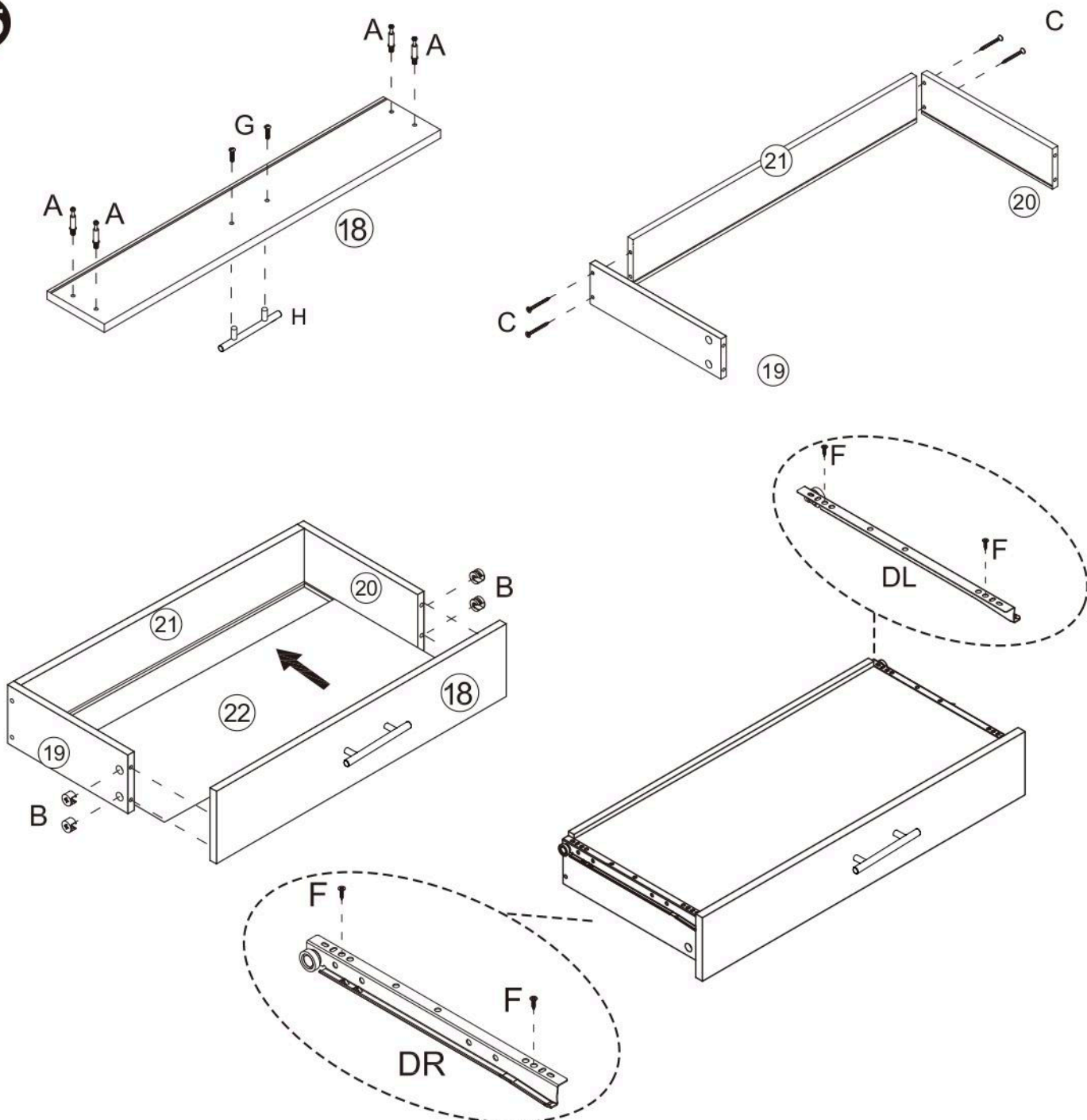
13



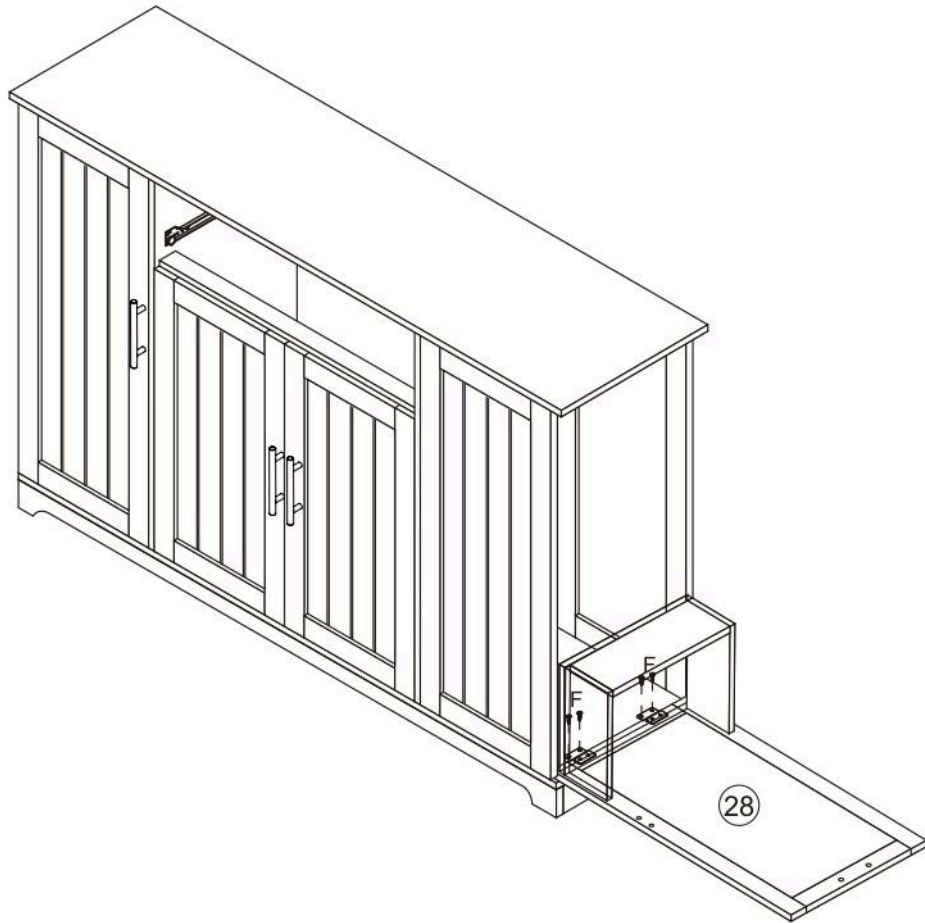
14



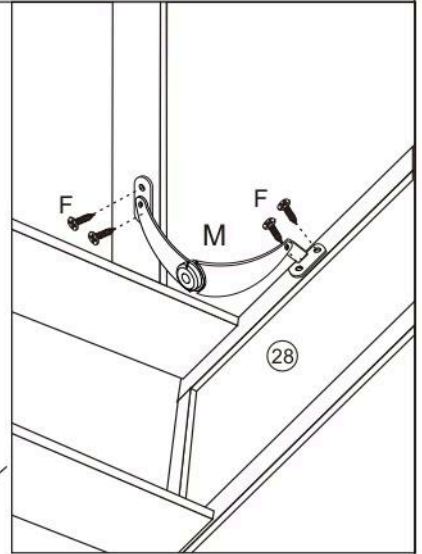
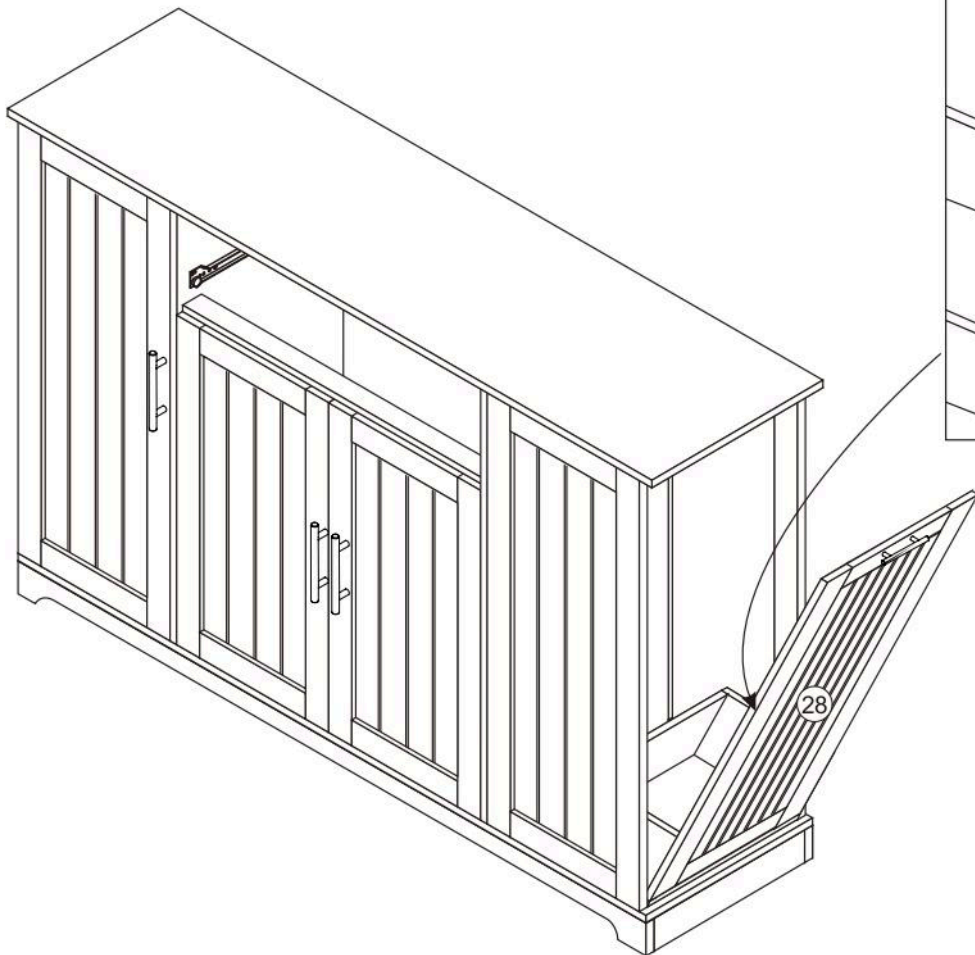
15



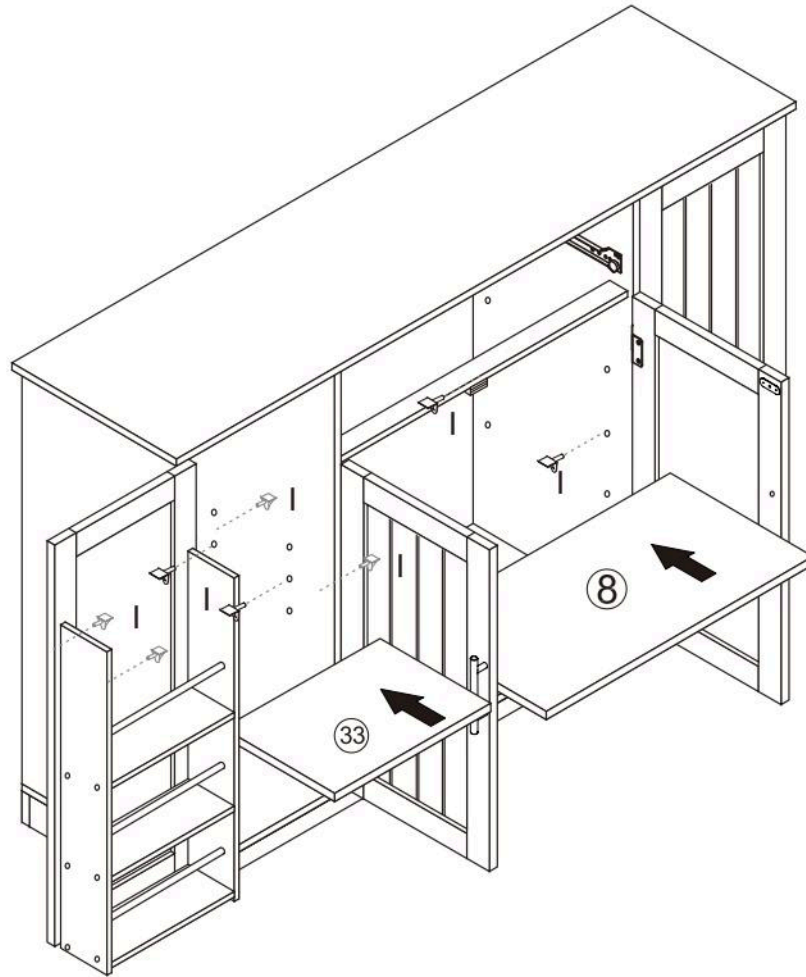
16



17



18



19

