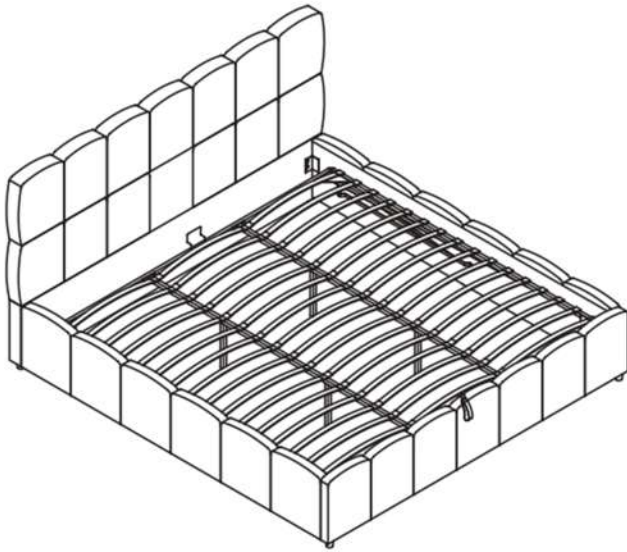















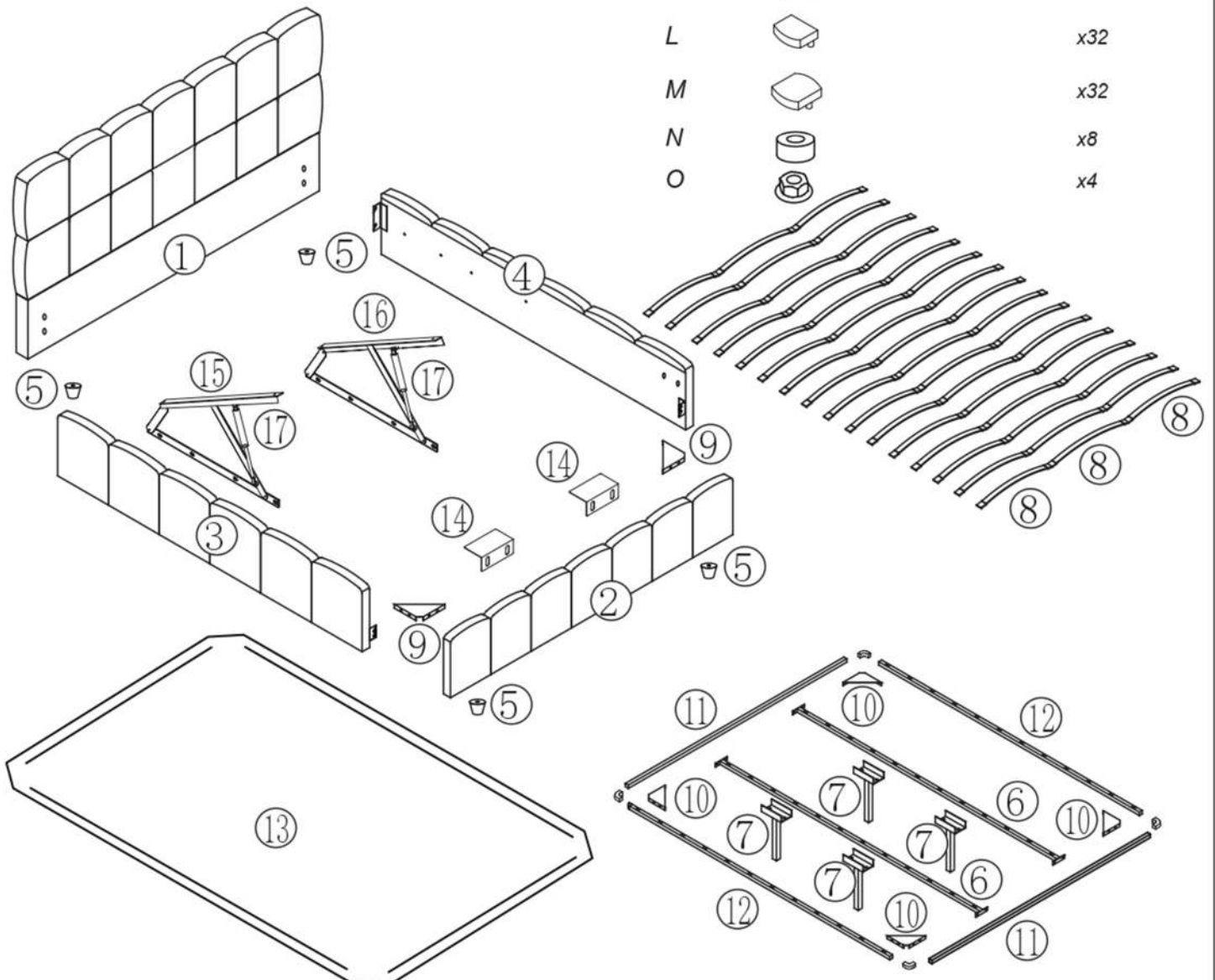


SORELA 200x200

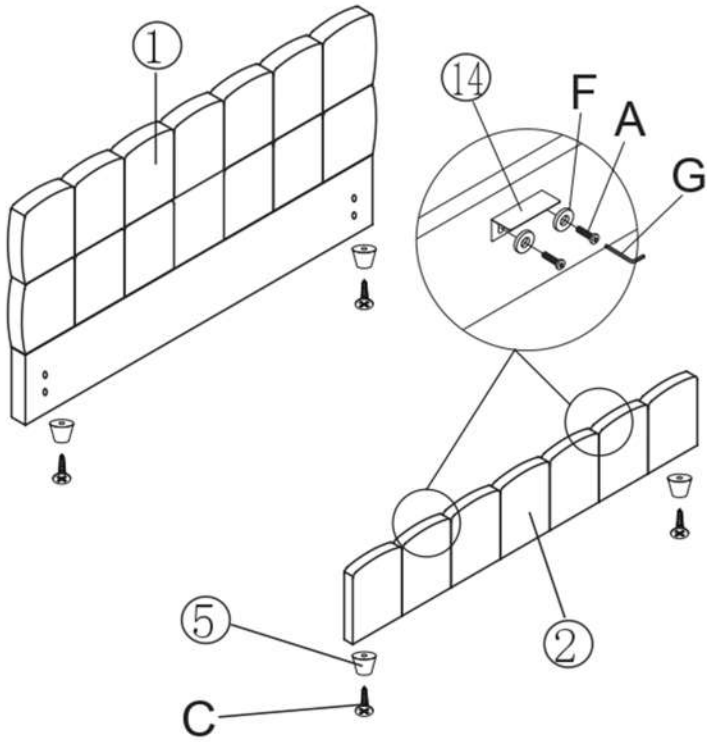


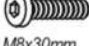


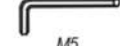
A		M8x30mm	x28
B		M8x40mm	x38
C			x4
D		M8mm	x38
E			x24
F		M8mm	x28
G		5#	x1
H		M8	x1
I			x1
J			x1
K			x4
L			x32
M			x32
N			x8
O			x4



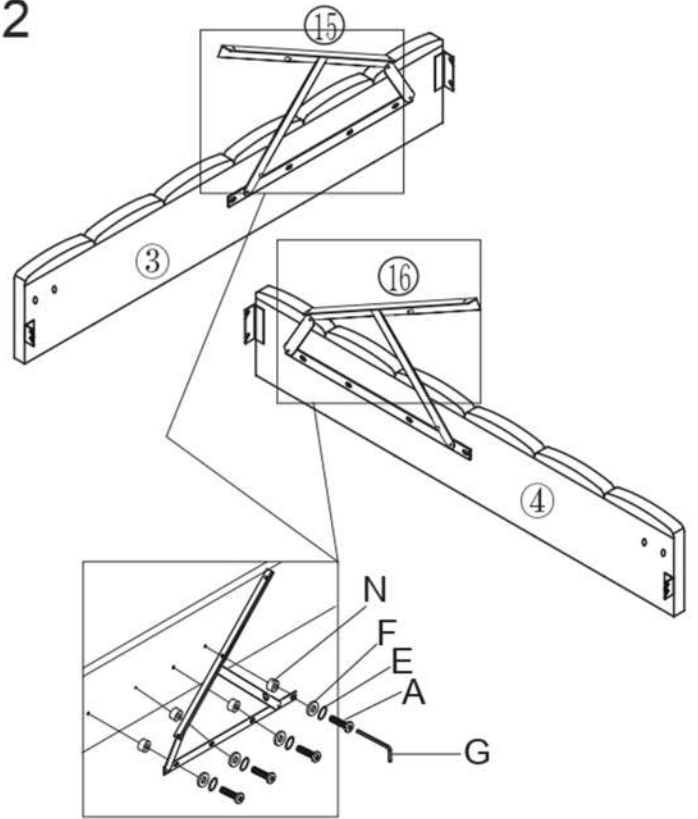
SORELA 200x200






1



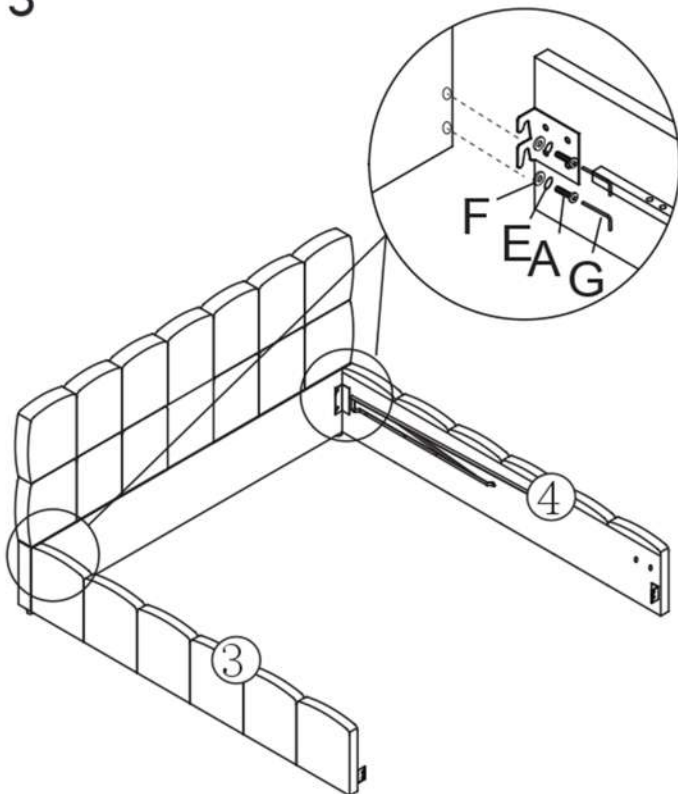
A  M8x30mm x4	C  x4	F  M8mm x4	G  M5 x1
---	---	---	---





2



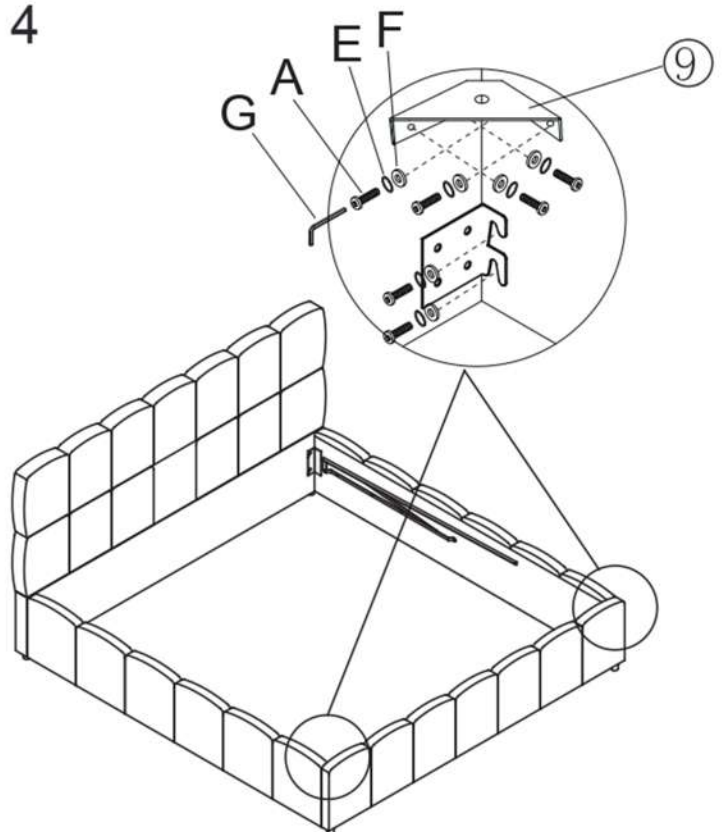
A  M8x30mm x8	E  x8	F  M8mm x8	G  M5 x1	N  x8
--	--	---	---	---





3



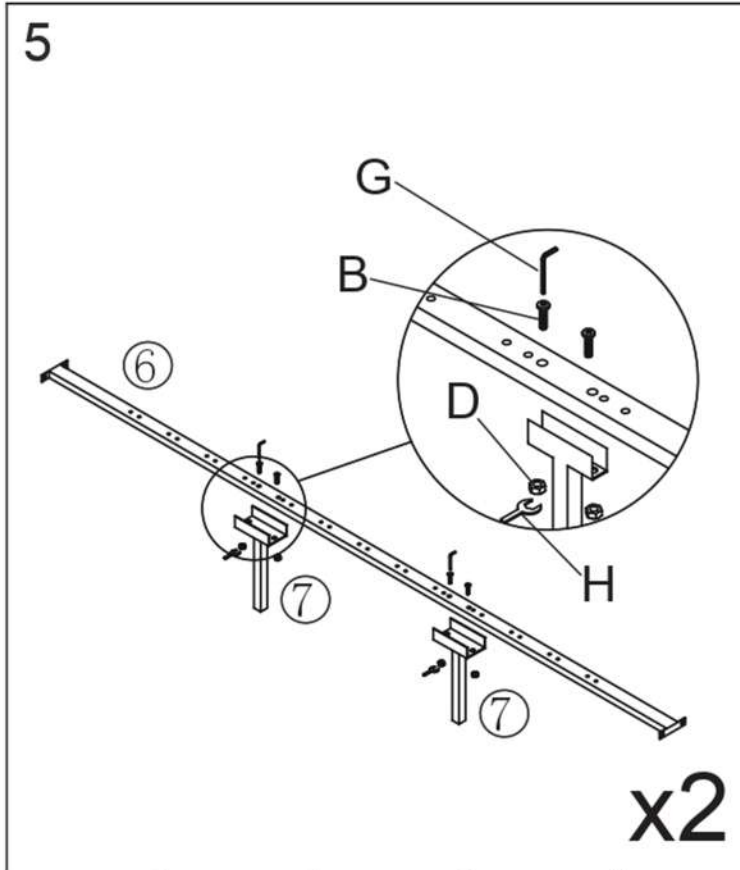
A  M8x30mm x4	E  x4	F  M8mm x4	G  M5 x1
---	---	---	---

4

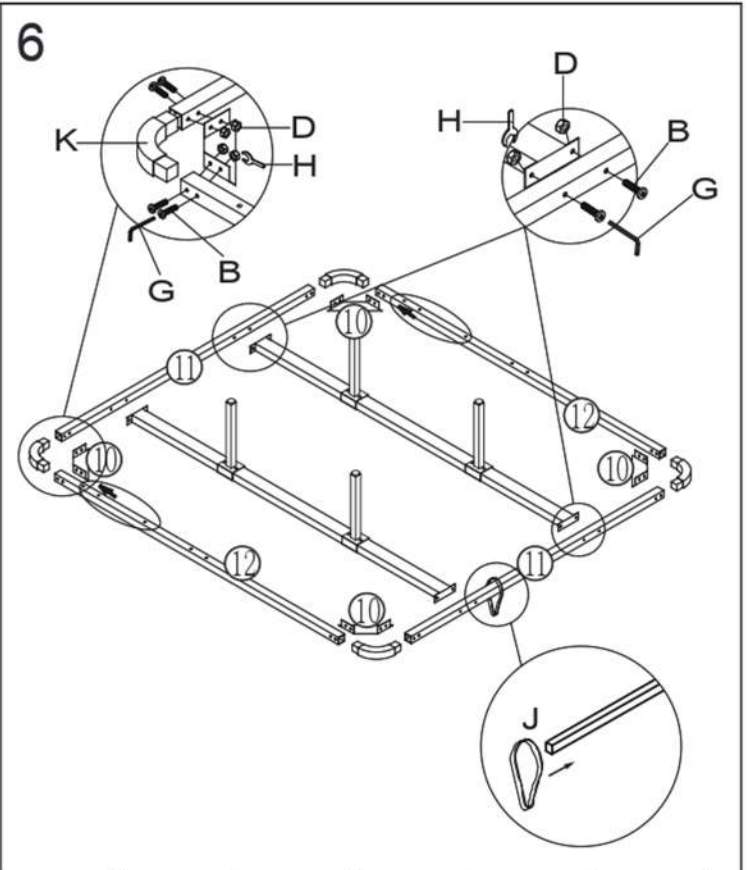


A  M8x30mm x12	E  x12	F  M8mm x12	G  M5 x1
---	---	--	---

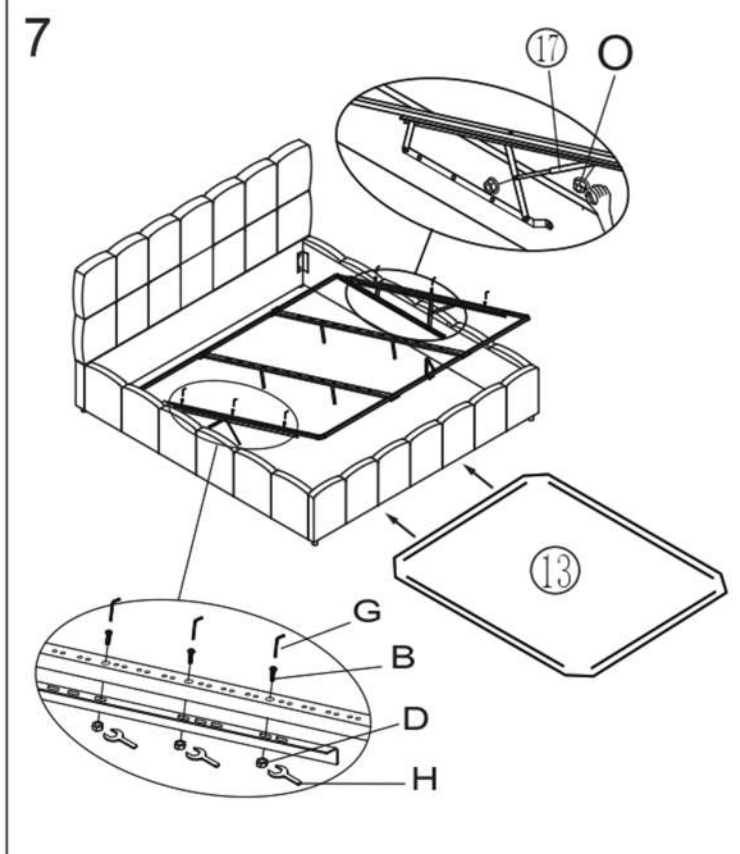
SORELA 200x200



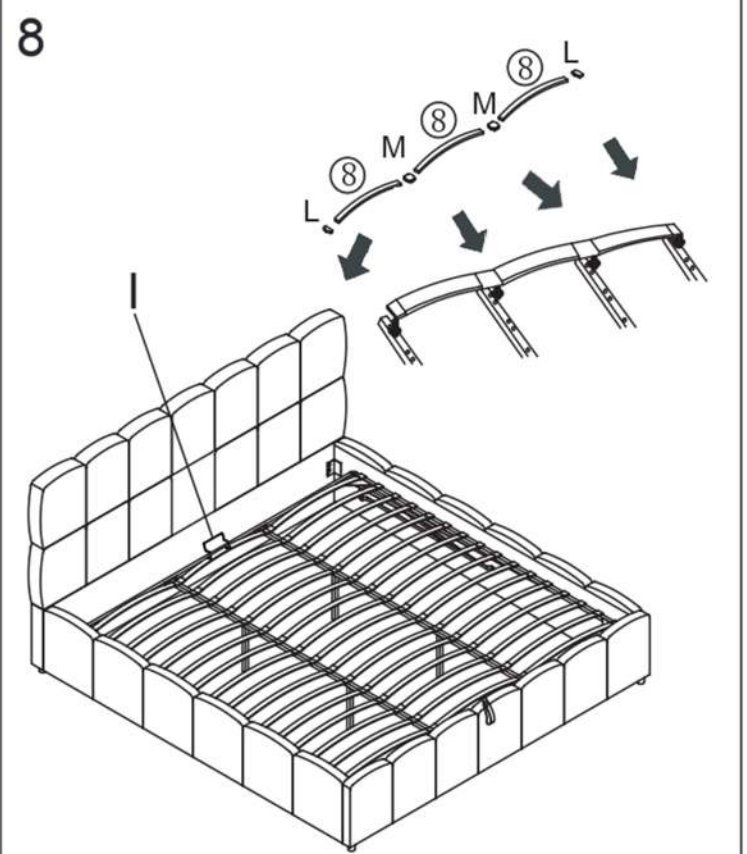
B M8x40mm x8	D M8mm x8	G M5 x1	H M8 x1
---------------------------	------------------------	----------------------	----------------------



B M8x40mm x24	D M8mm x24	G M5 x1	H M8 x1	J x1	K x4
----------------------------	-------------------------	----------------------	----------------------	----------------	----------------



B M8x40mm x6	D M8mm x6	G M5 x1	H M8 x1	O x4
---------------------------	------------------------	----------------------	----------------------	----------------



I x1	L x32	M x32
----------------	-----------------	-----------------