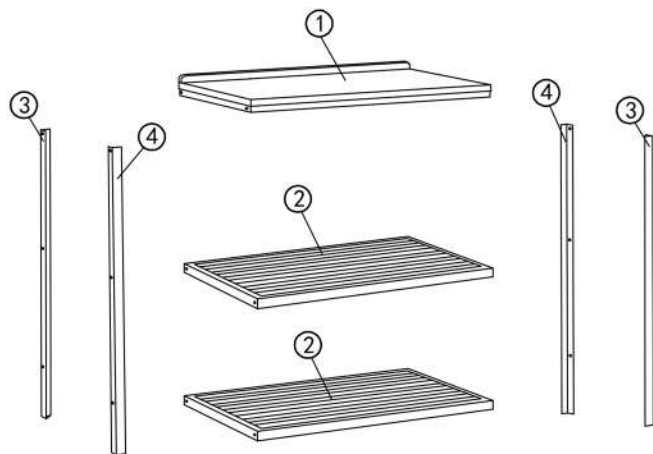





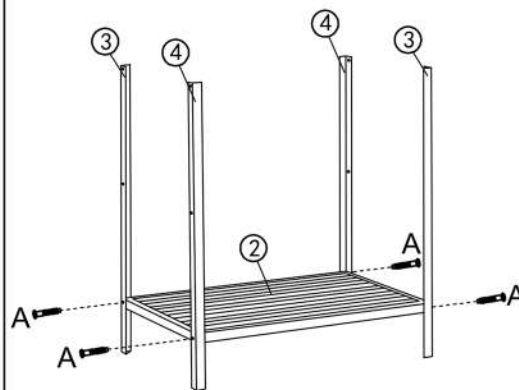
FLAVIA TYP 2



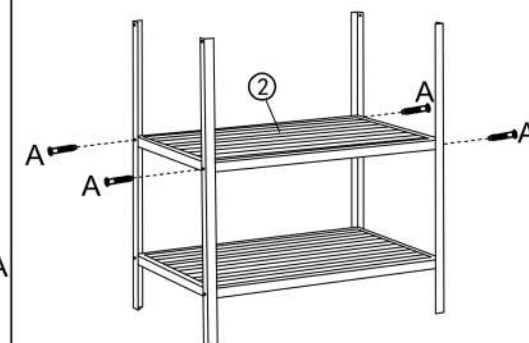
- | | | | |
|---|---|--------|-----|
| A |  | 7x40mm | x12 |
| B |  | | x4 |
| C |  | | x1 |

1

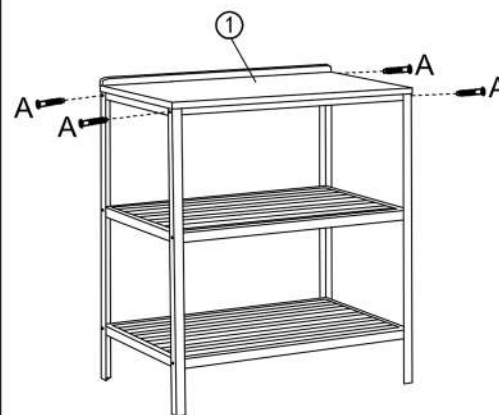
1.



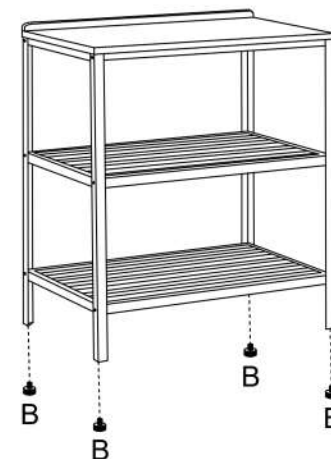
2.



3.



4.



2