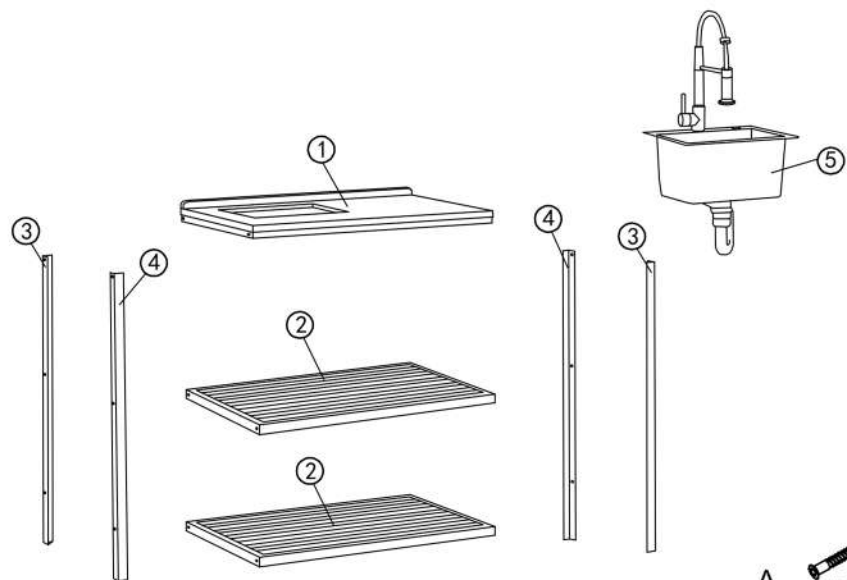
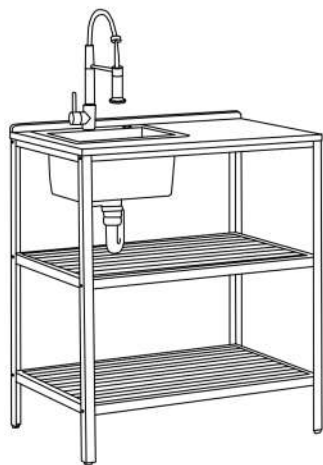





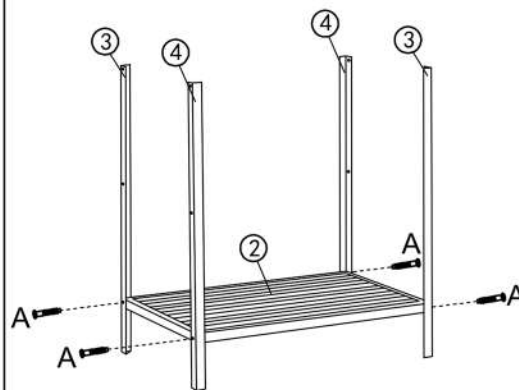
FLAVIA TYP 1



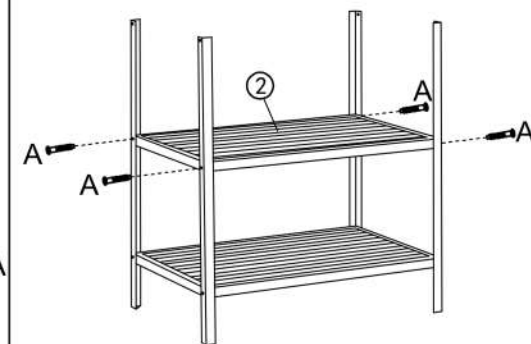
- | | | |
|---|-------------------------------------------------------------------------------------|-----|
| A |  | x12 |
| B |  | x4 |
| C |  | x1 |

1

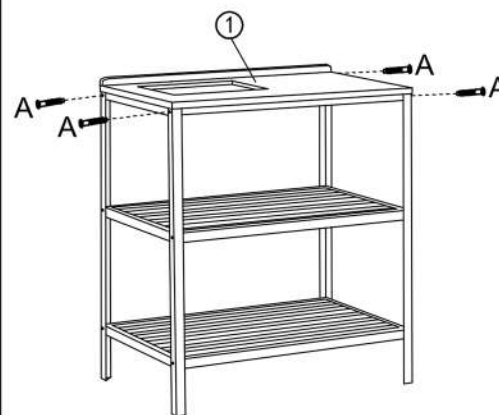
1.



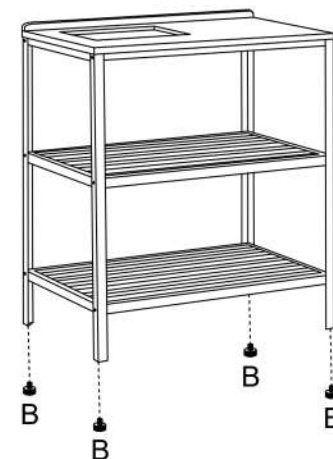
2.



3.

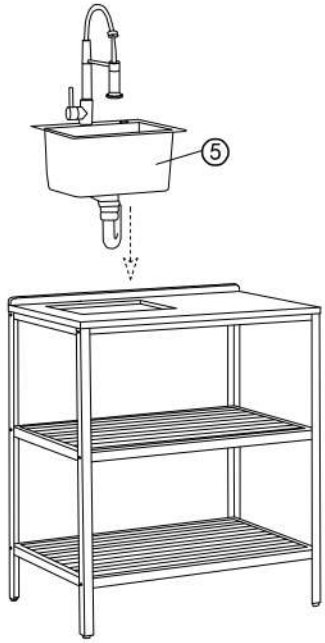


4.



2

5.



6.

