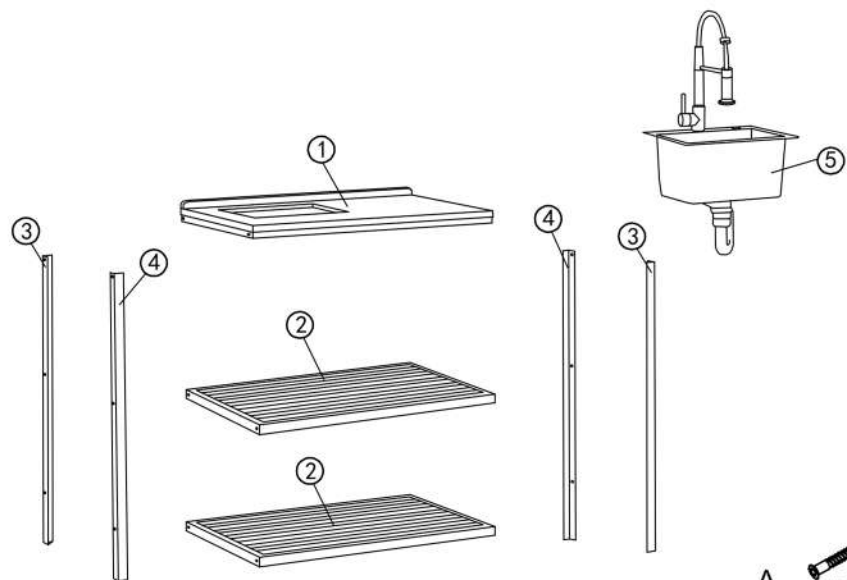
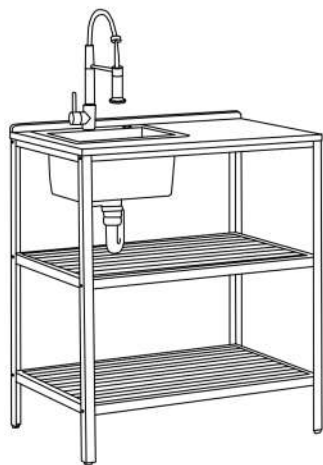





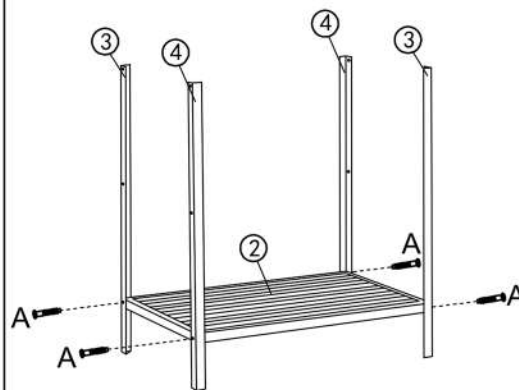
FLAVIA TYP 1



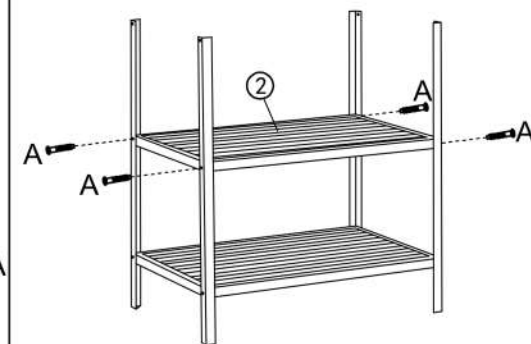
- | | | |
|---|---|-----|
| A |  | x12 |
| B |  | x4 |
| C |  | x1 |

1

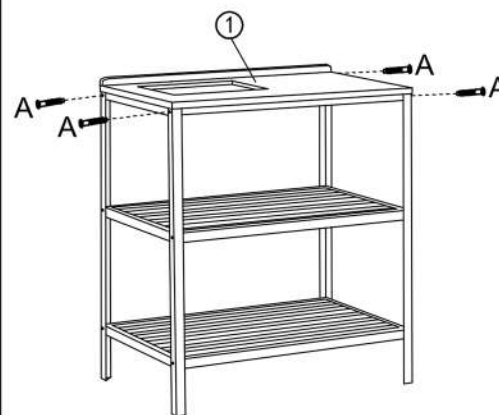
1.



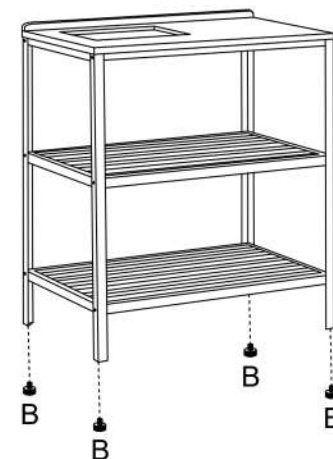
2.



3.

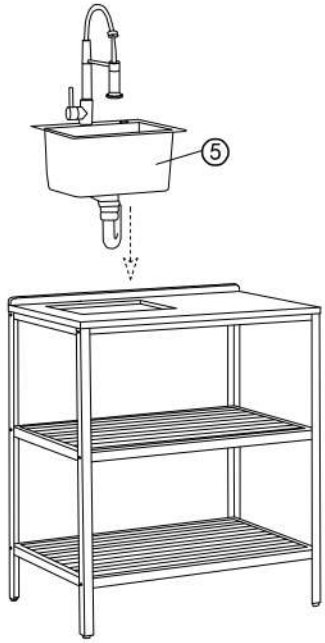


4.

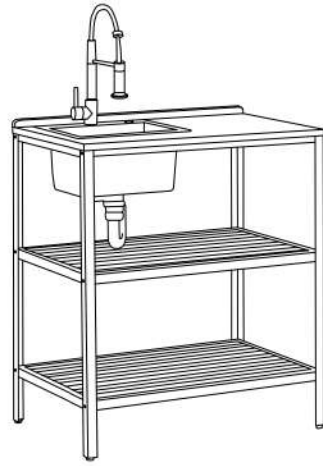


2

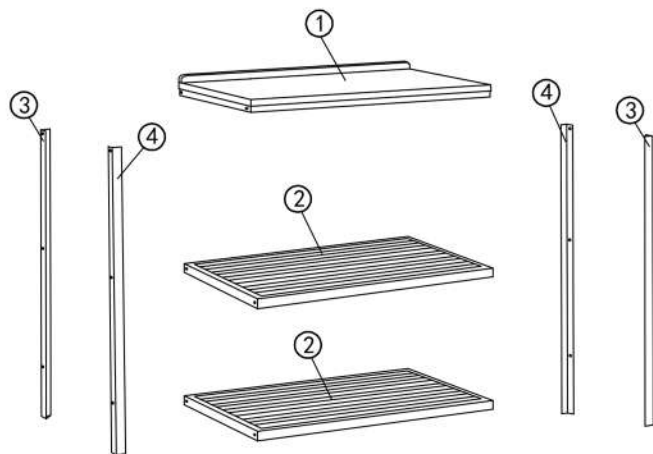
5.






6.



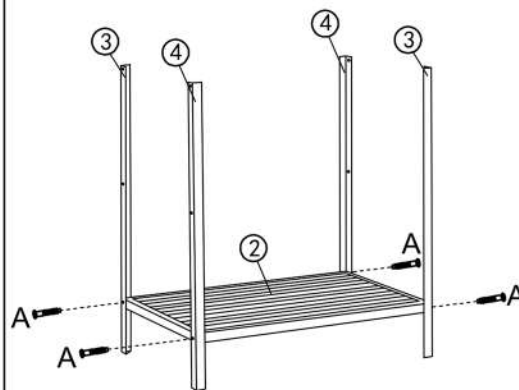
FLAVIA TYP 2



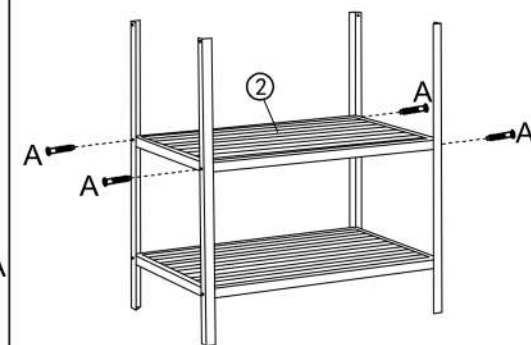
- | | | | |
|---|---|--------|-----|
| A |  | 7x40mm | x12 |
| B |  | | x4 |
| C |  | | x1 |

1

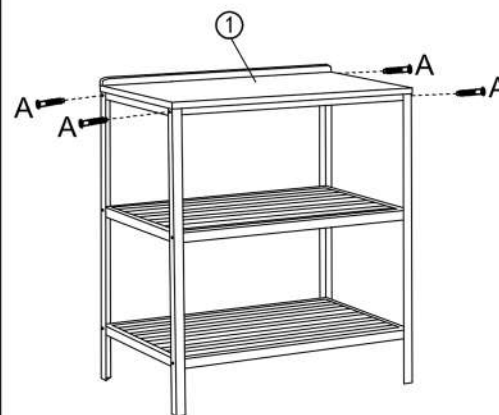
1.



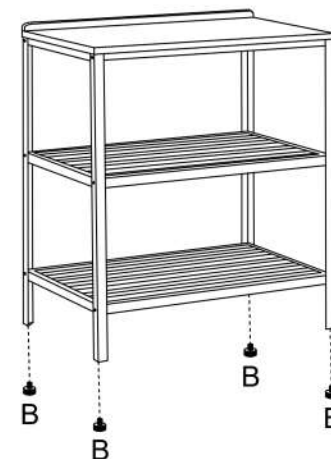
2.



3.

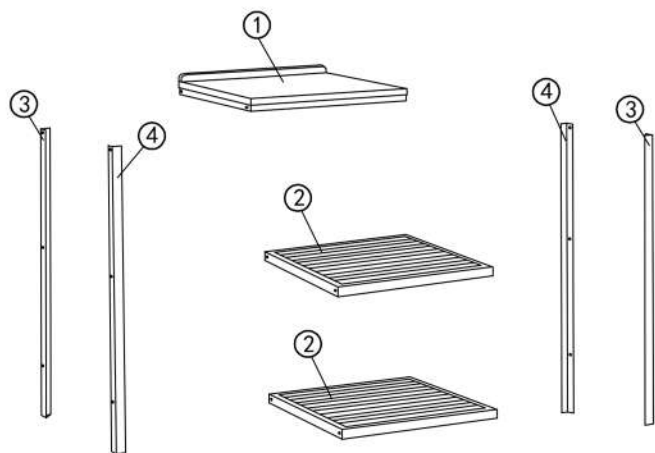
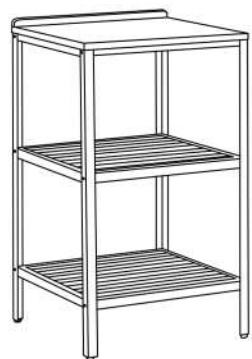





4.



2

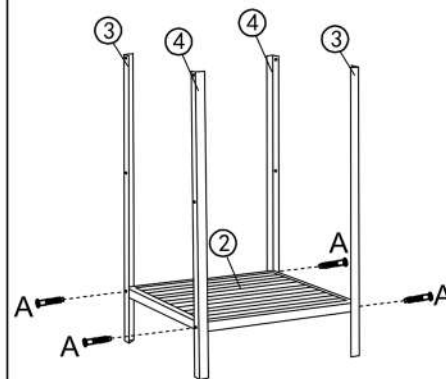
FLAVIA TYP 3



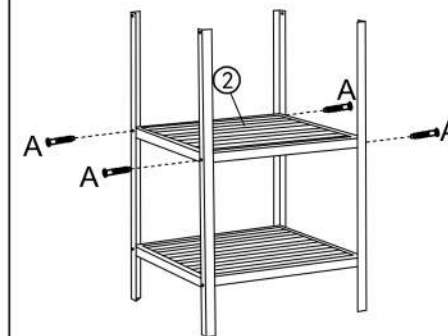
A		7x40mm	x12
B			x4
C			x1

1

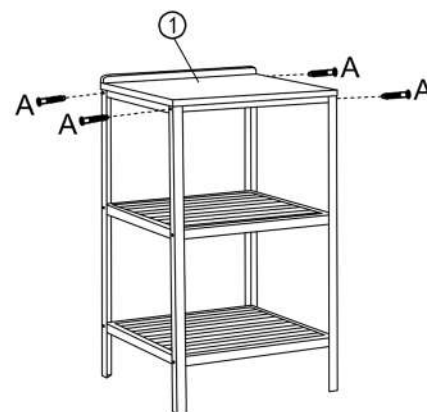
1.



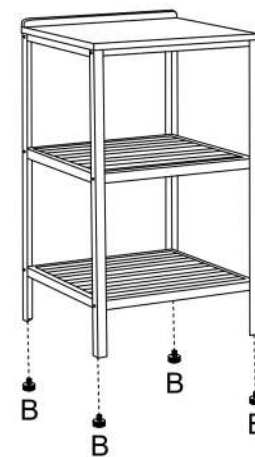
2.



3.



4.



2