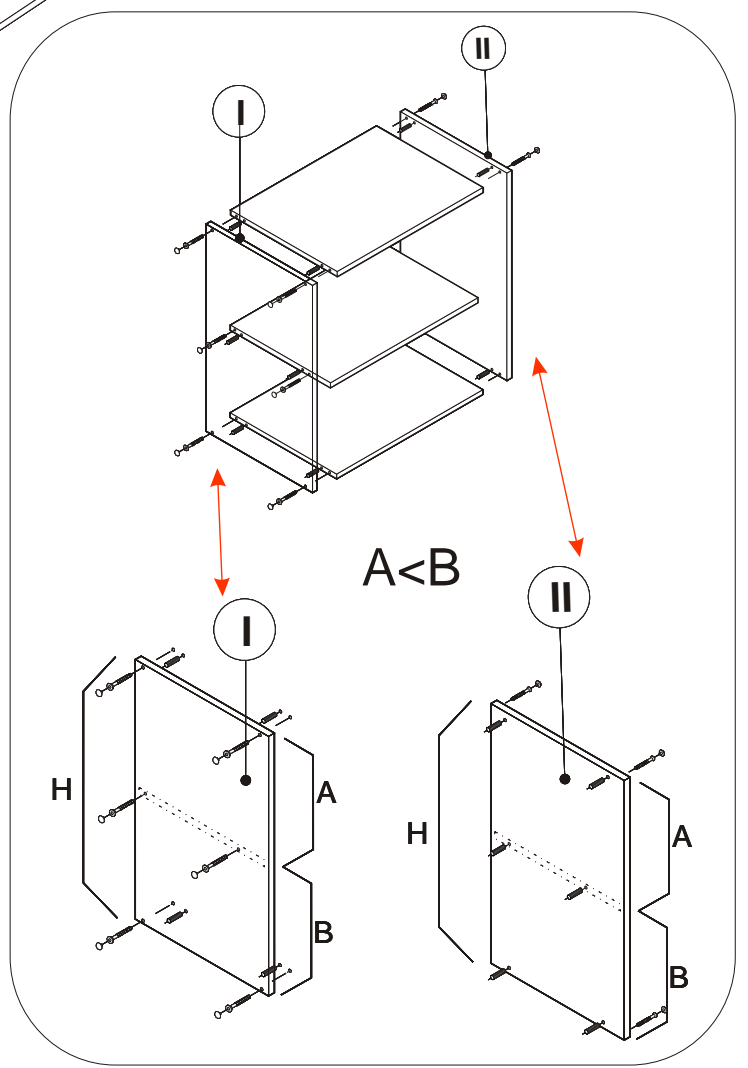
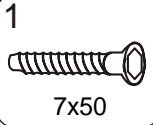

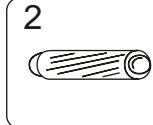
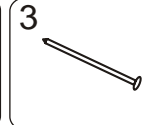

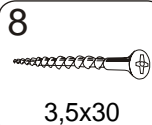
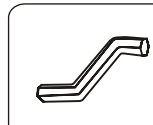
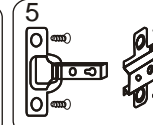
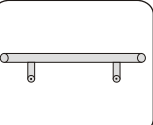

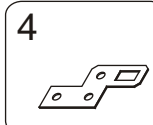
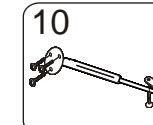


# GW1-80



- |   |   |  |  |
|---|---|--|--|
| <br>1<br>7x50<br>x 12   | <br>2<br>x 12          | <br>3<br>x 50 | <br>4<br>x 2  |
| <br>6<br>5x13 EU<br>x 8 | <br>8<br>3,5x30<br>x 6 | <br>5<br>x 1  | <br>10<br>x 4 |
| <br>7<br>x 2            | <br>4<br>4x30<br>x 4   | <br>3<br>x 1  | <br>5<br>x 4  |