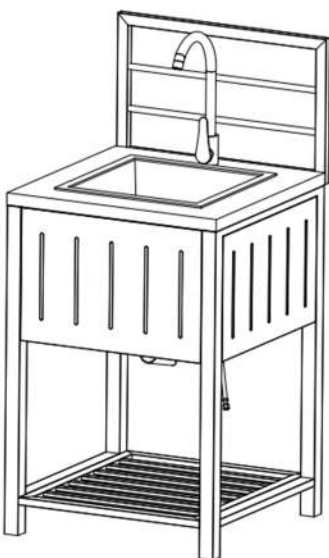
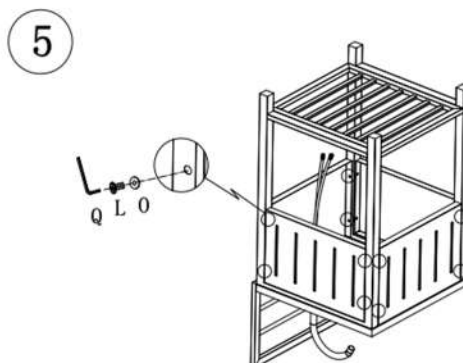
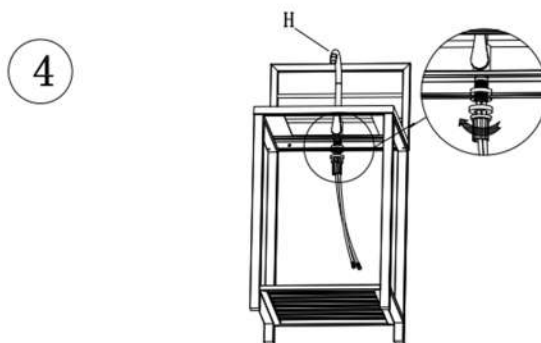
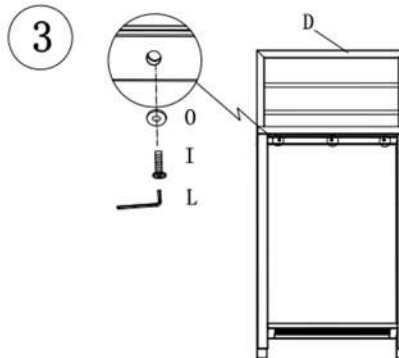
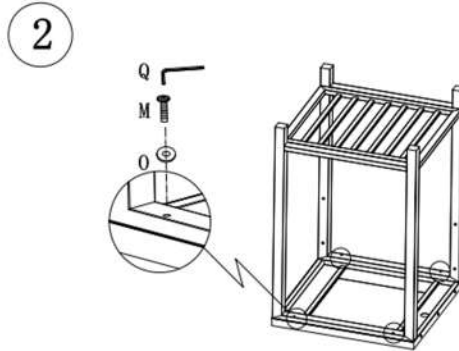
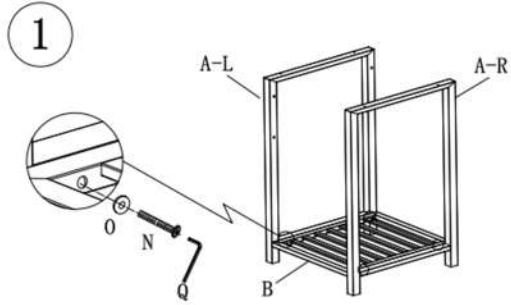




















TANITA TYP 2

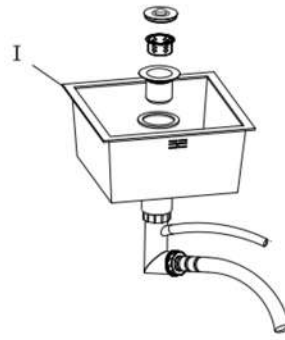
A-L		1	I		1
A-R		1	J		1
B		1	K		1
C		1	L		8
D		1	M		7
E		1	N		4
F		2	O		19
G		2	P		1
H		1	Q		1



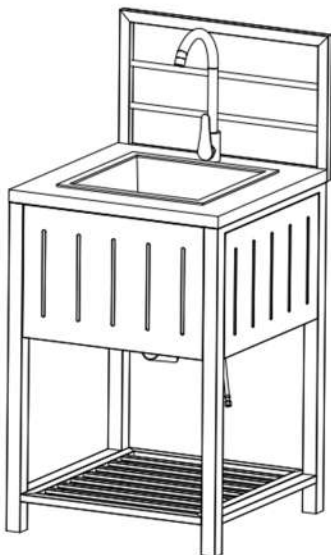
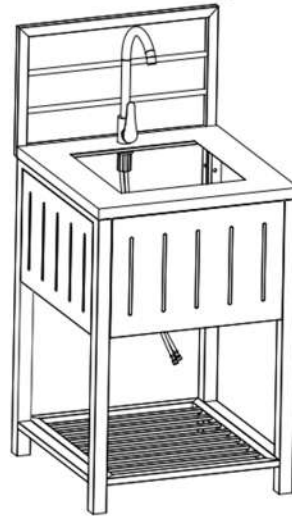
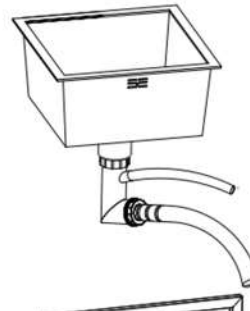
TANITA TYP 2

A-L		1	I		1
A-R		1	J		1
B		1	K	 M4*10	1
C		1	L	 M6*15	8
D		1	M	 M6*30	7
E		1	N	 M6*50	4
F		2	O	 $\varnothing 13 * \varnothing 6.5 * 1$	19
G		2	P	 M4	1
H		1	Q	 M6	1

1



2



3

