

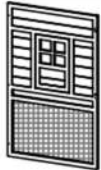
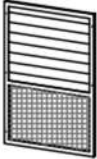










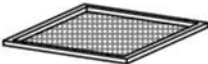
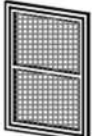
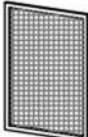
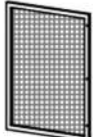


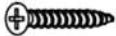



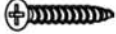


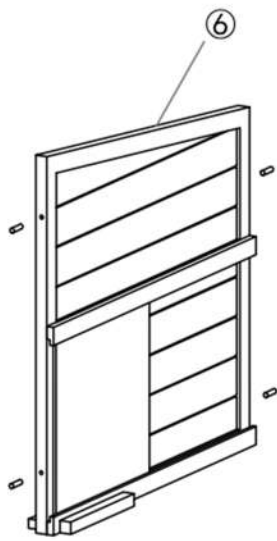


FUROL

	①*1		②*1		③*1
	④*1		⑤*1		⑥*1
	⑦*1		⑧*1		⑨*1
	⑩*1		⑪*1		⑫*1
	⑬*1		⑭*1		⑮*2
	⑯*1		⑰*1		⑱*2
	⑲*1		⑳*1		㉑*1

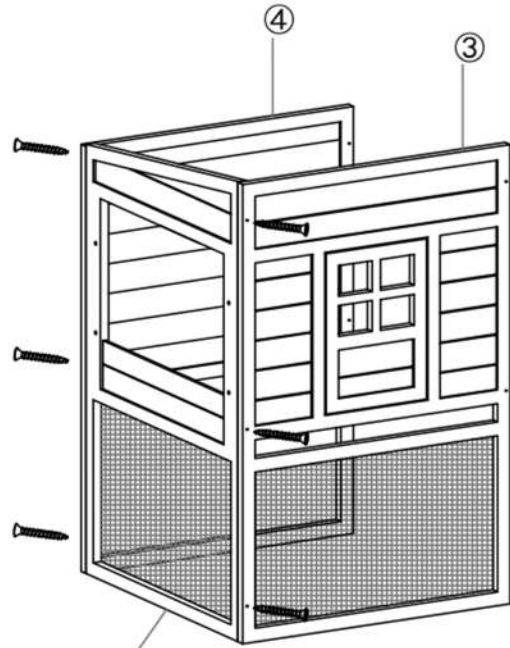
- A:  3.5*40 24
- B:  6.0*50 4
- C:  6.0*55 4
- D:  3.0*16 32
- E:  3.5*50 12
- F:  2
- G:  4





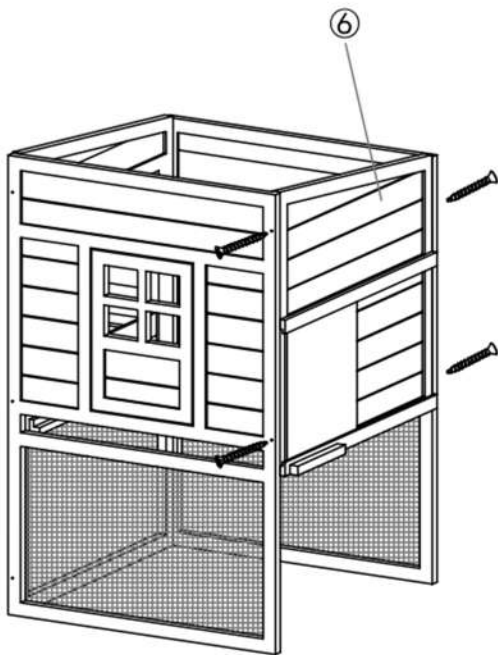
Gx4

1



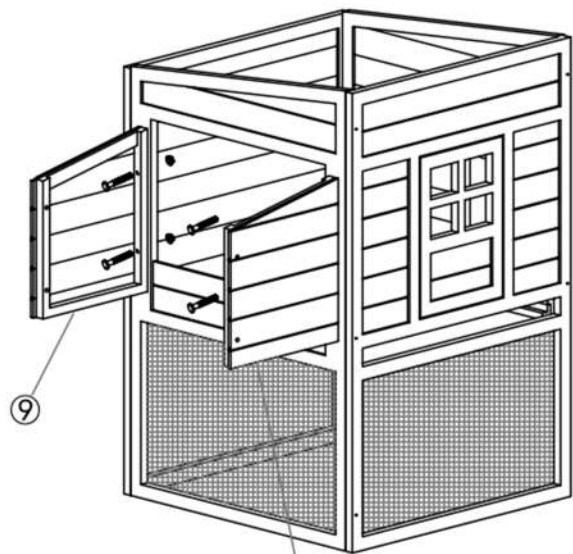
Ax6

2



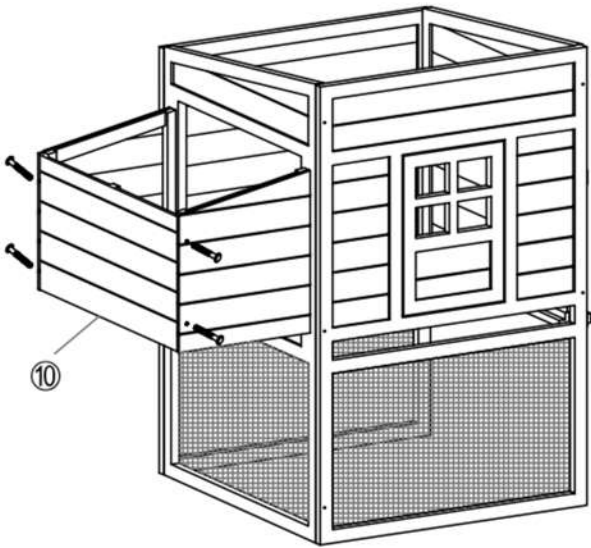
Ax4

3



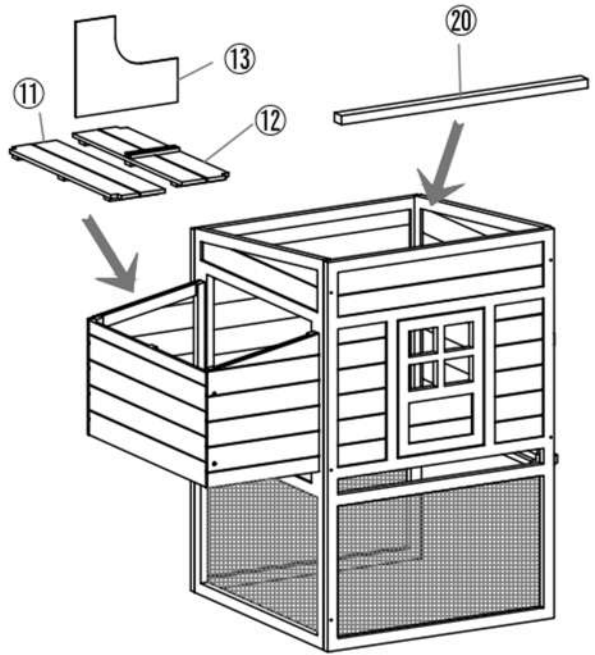
Bx4

4

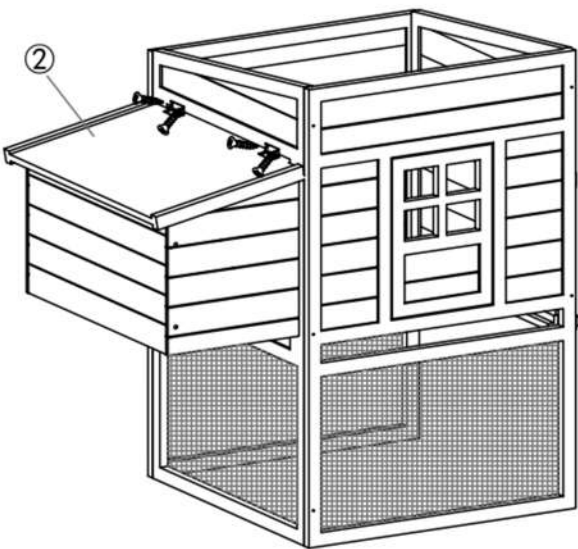


Cx4

5

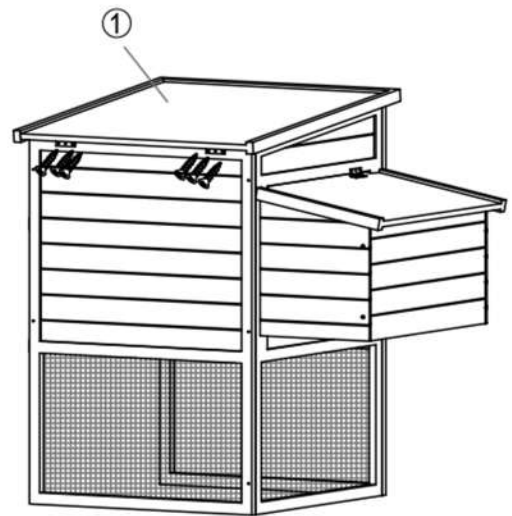


6



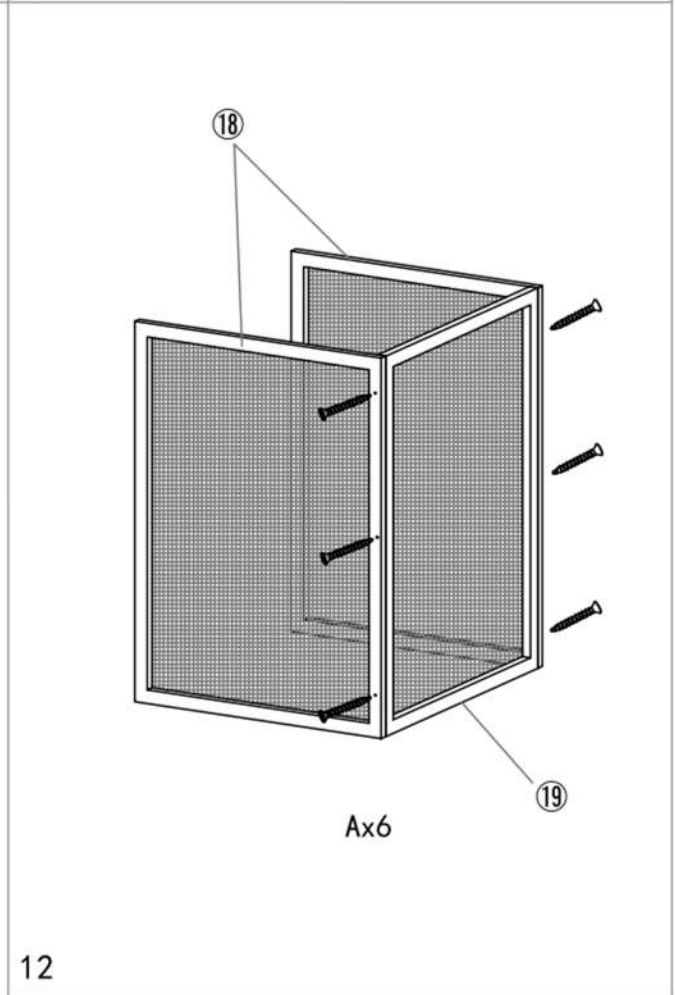
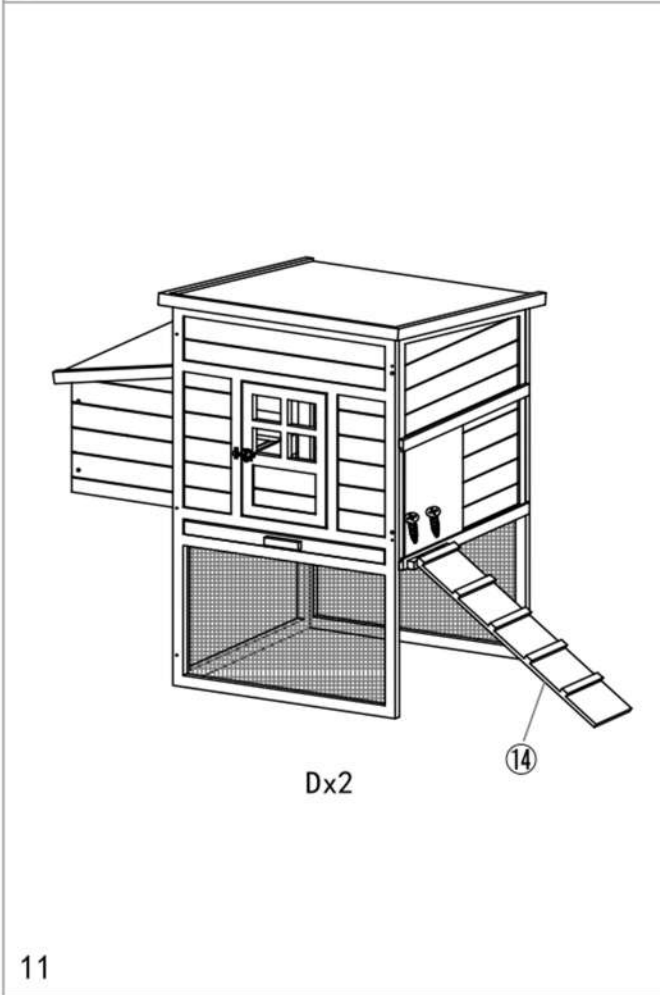
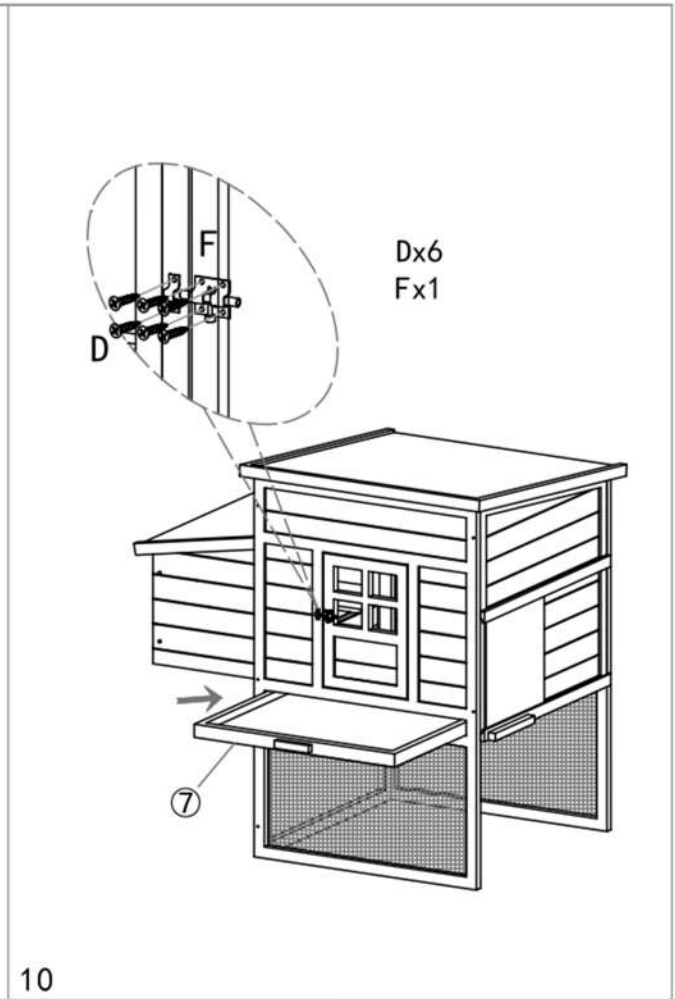
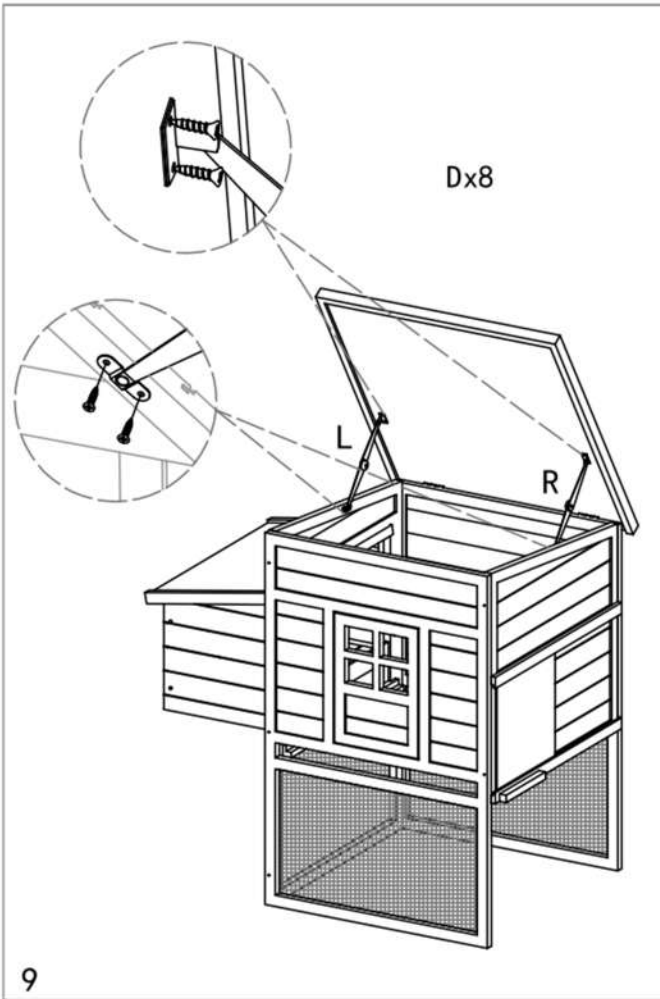
Dx4

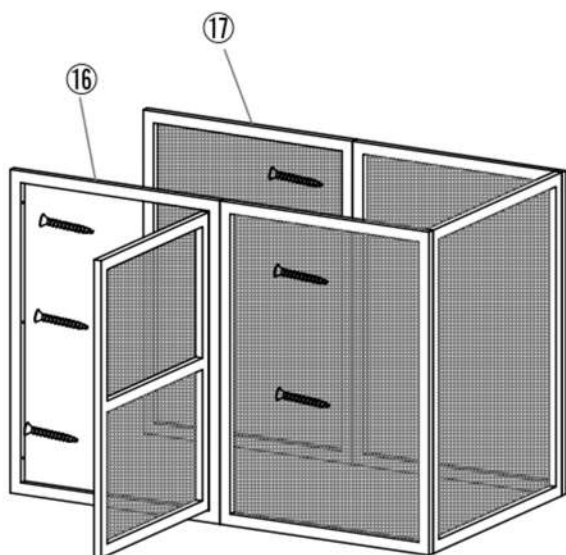
7



Dx6

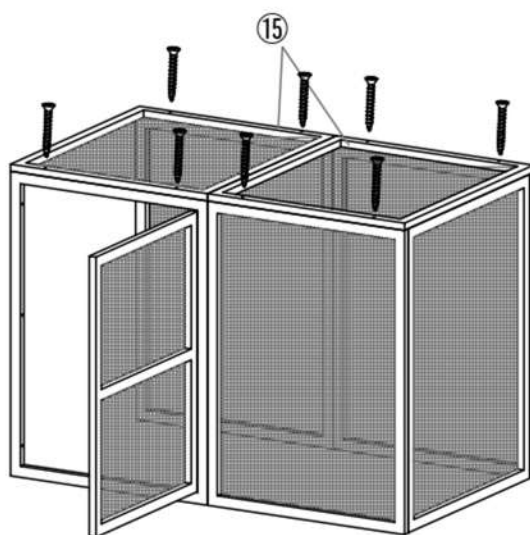
8





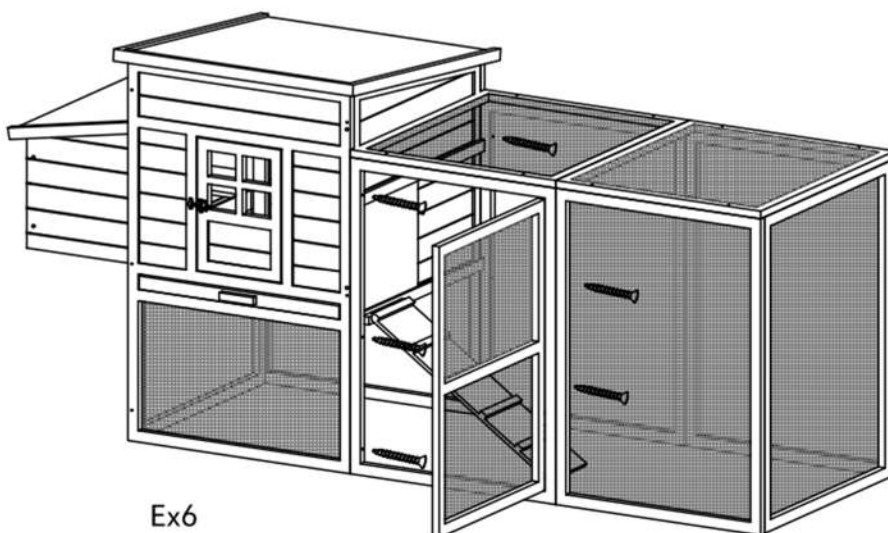
13

Ex6



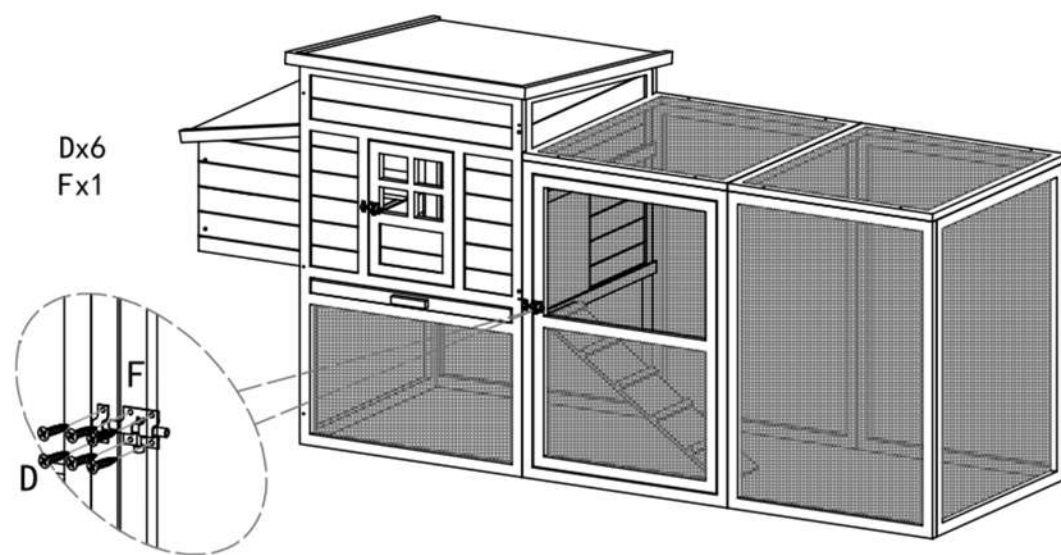
14

Ax8



15

Ex6



16

Dx6
Fx1

