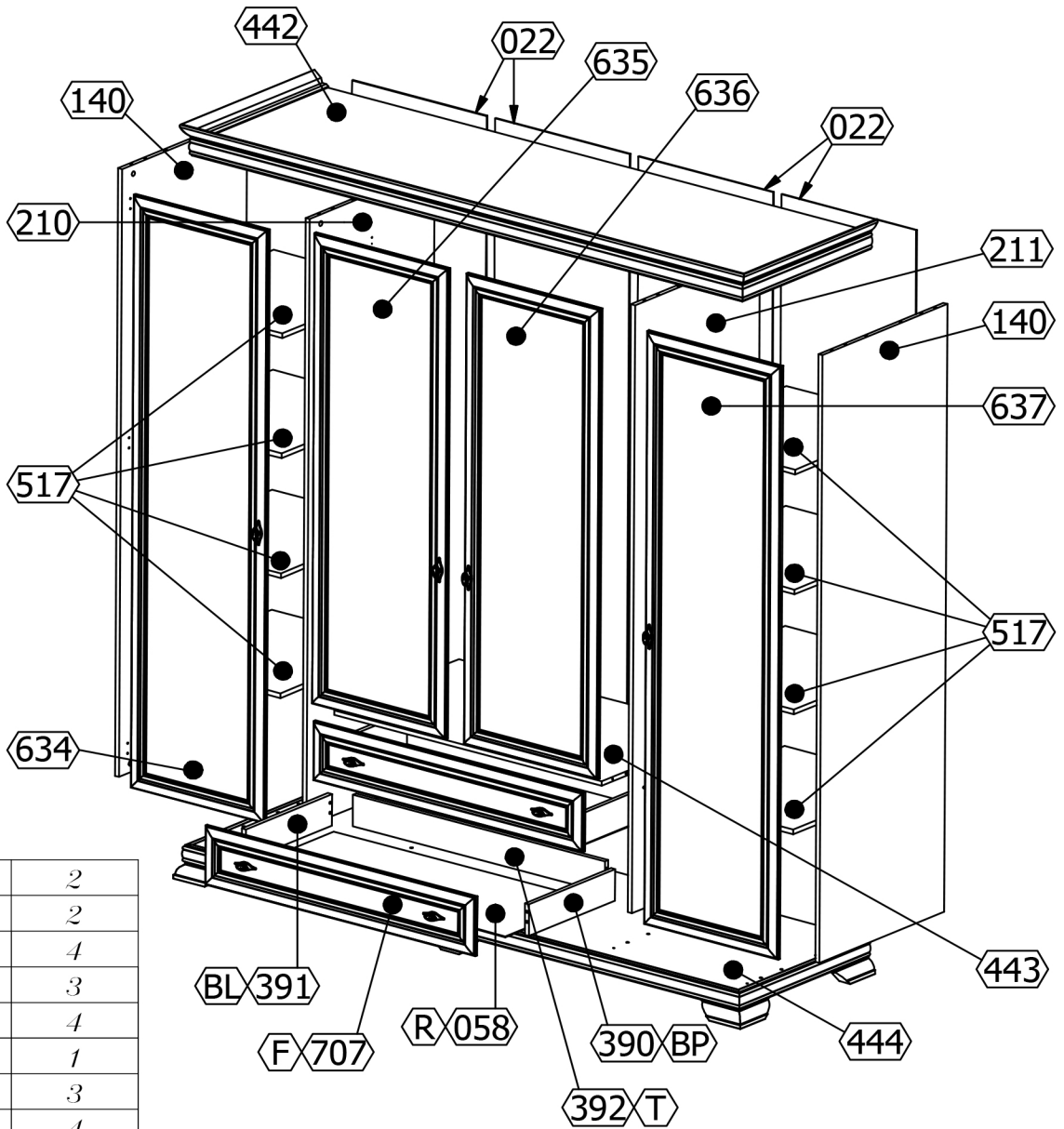
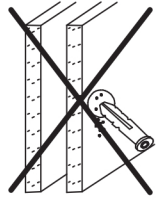
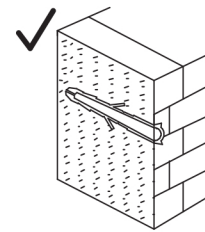
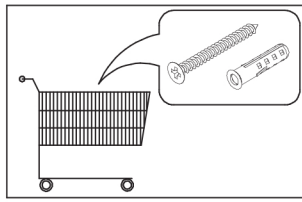
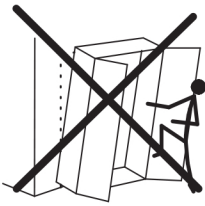
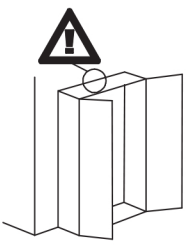


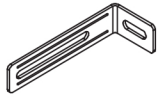
# Kora KS3



1	634	1	2
2	635	1	2
3	442	1	4
4	443	1	3
5	444	1	4
6	140	2	1
7	517	8	3
8	021	4	4
9	707	2	3
10	058	2	4
11	390	2	3
12	391	2	3
13	392	2	3
14	210	1	1
15	211	1	1
16	636	1	2
17	637	1	2

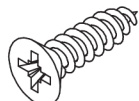


T4 x1

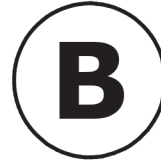


75x28x16 mm

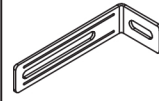
W2 x2



Ø3,5x16mm



T4 x2

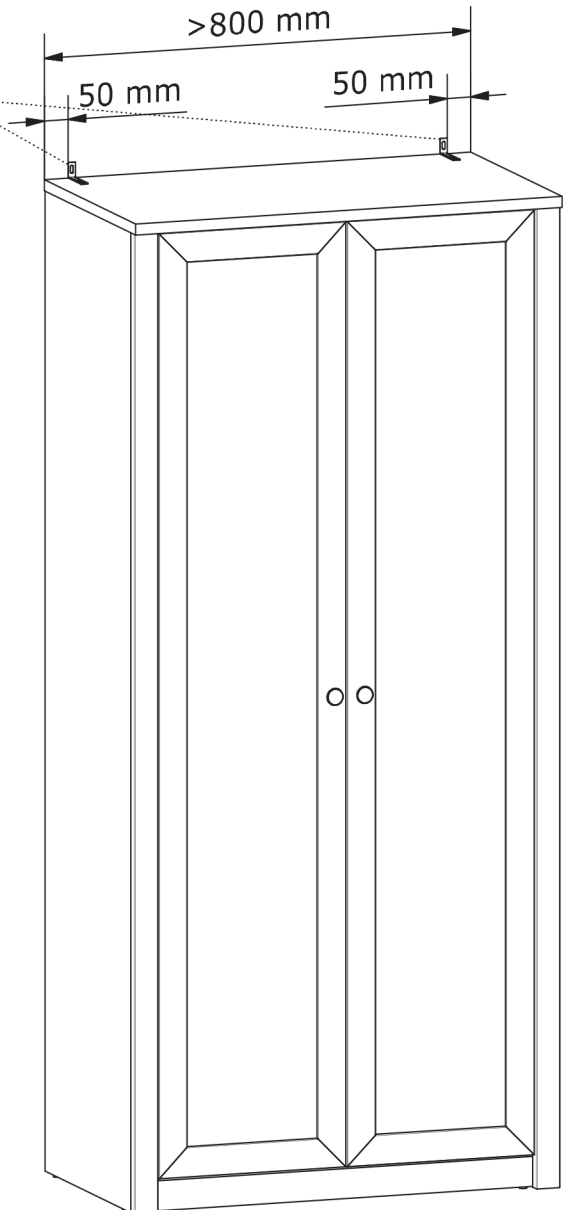
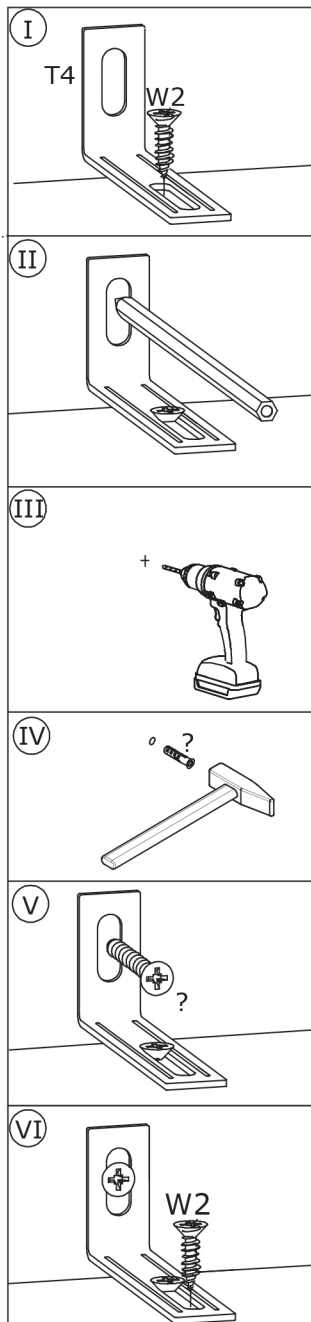
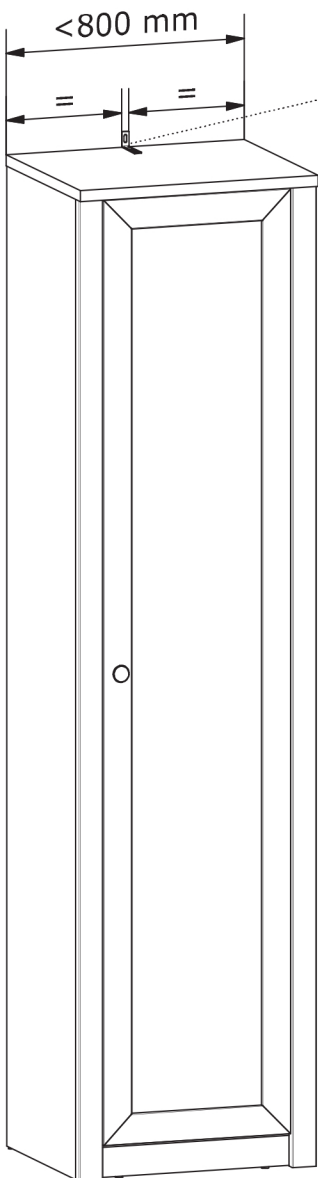


75x28x16 mm

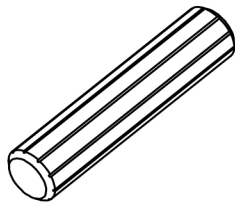
W2 x4



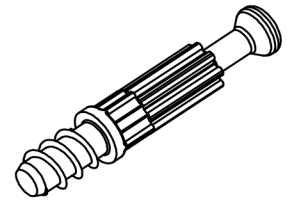
Ø3,5x16mm



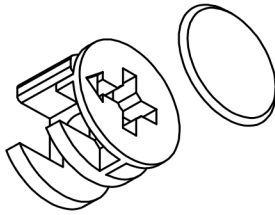
**A** x52  
(8x36)



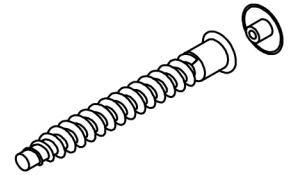
**B** x16



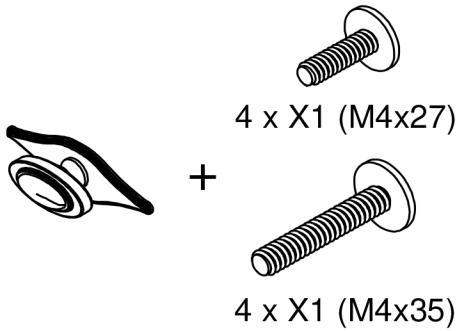
**C** x16  
(15x12)



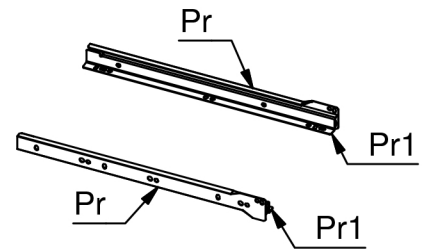
**D** x4



**M** x8



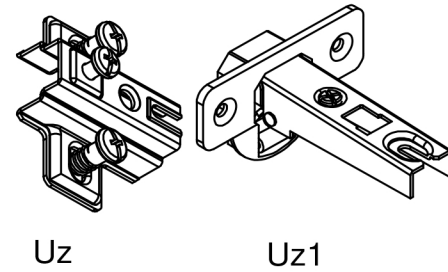
**P** x2



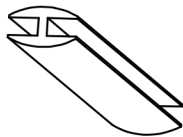
**Q** x1



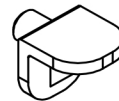
**U** x12



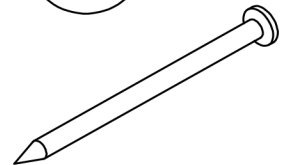
**H** x1



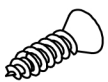
**E** x32



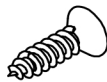
**G** x150



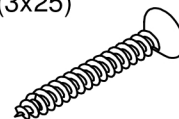
**W1** x10  
(3,5x16)



**W2** x24  
(3,5x16)



**W3** x8  
(3x25)

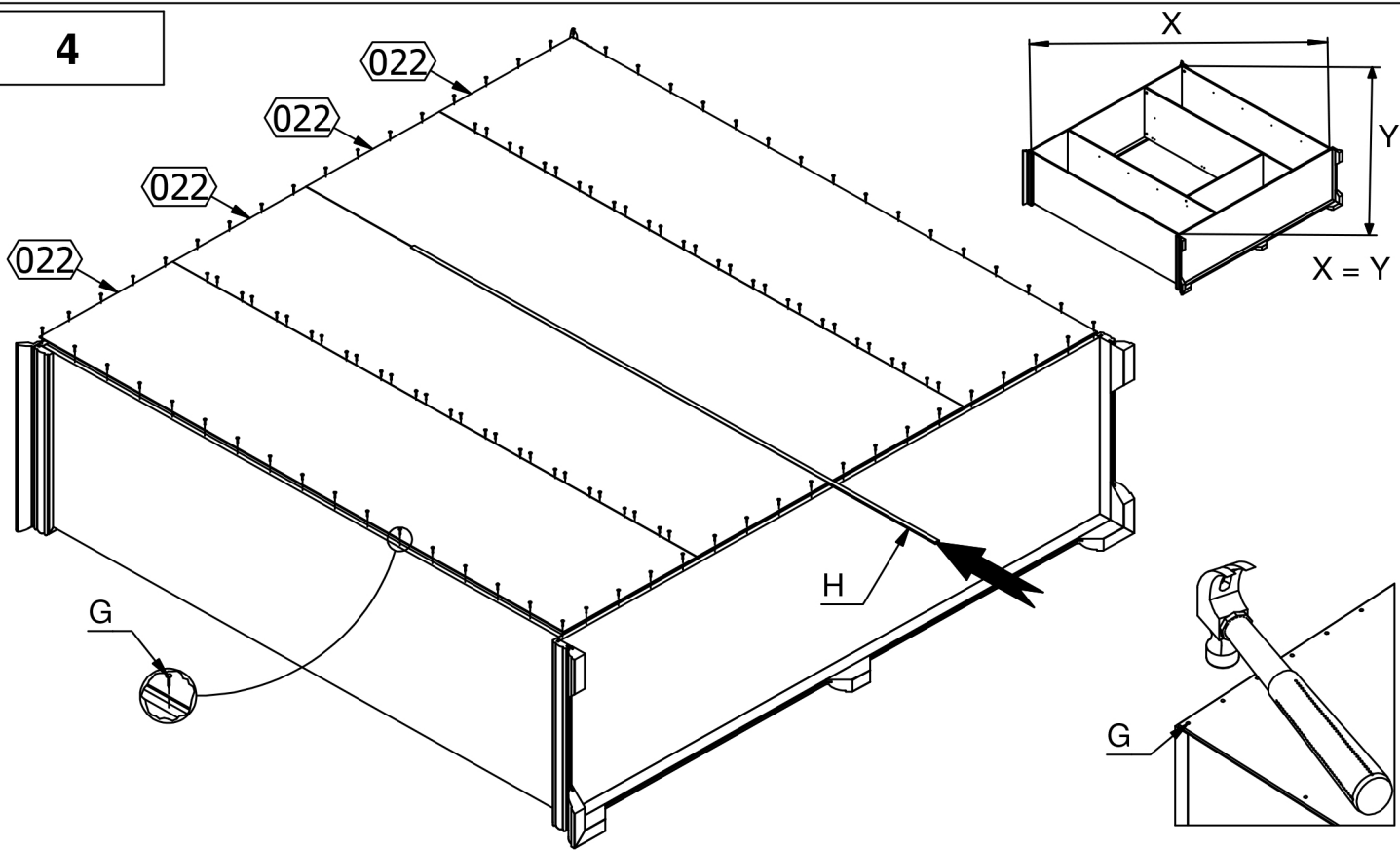


**Z** x1

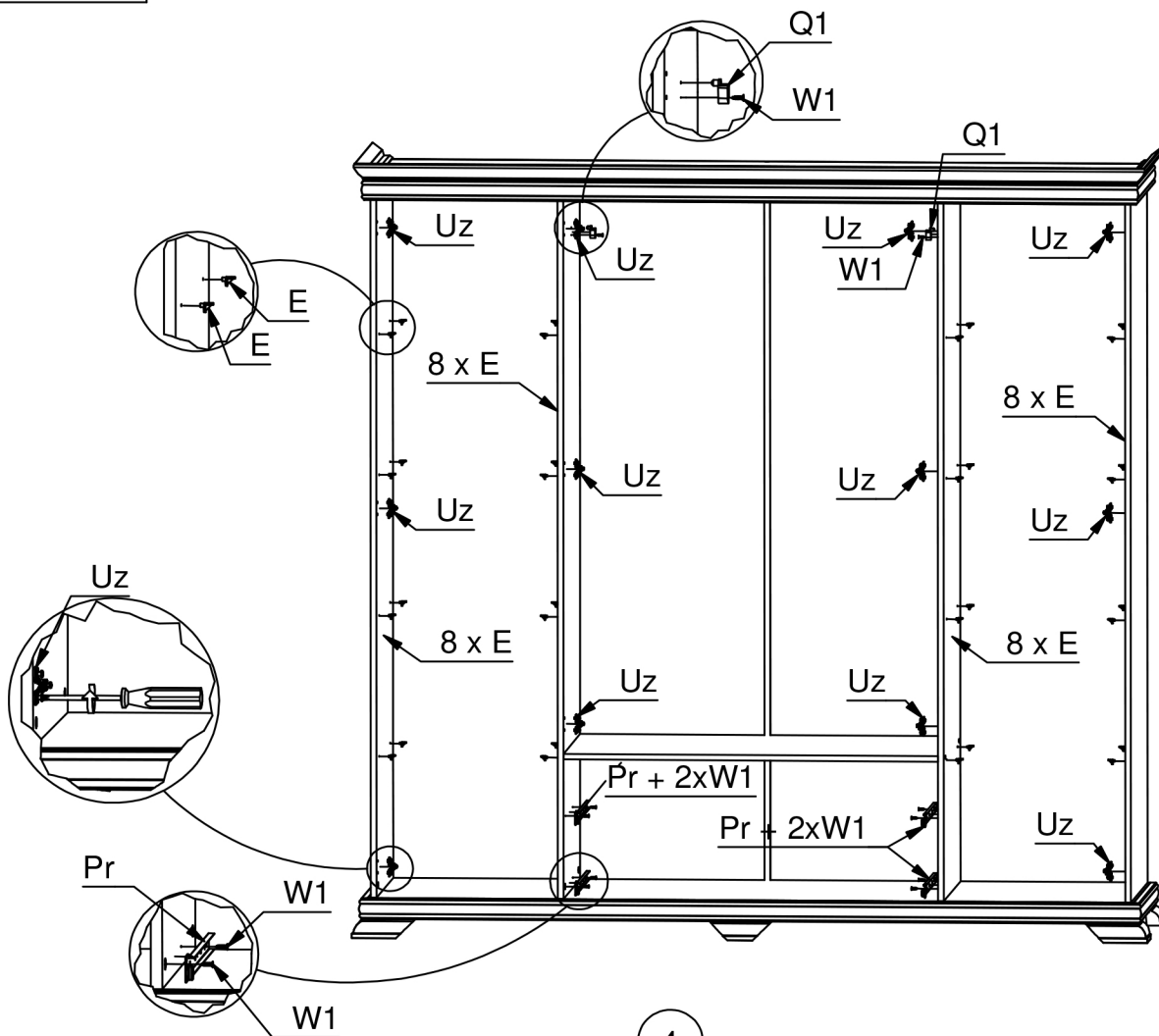




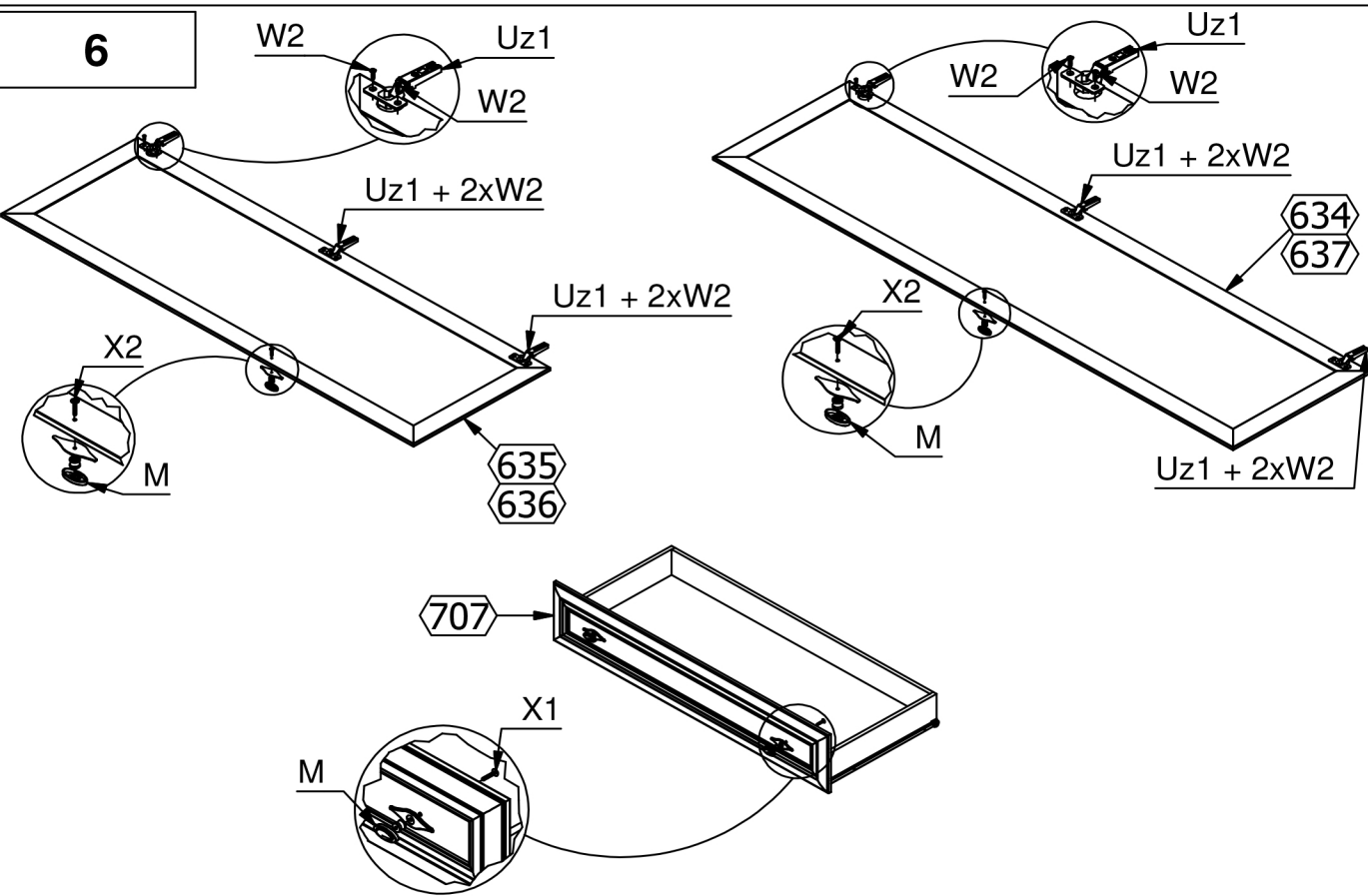
4



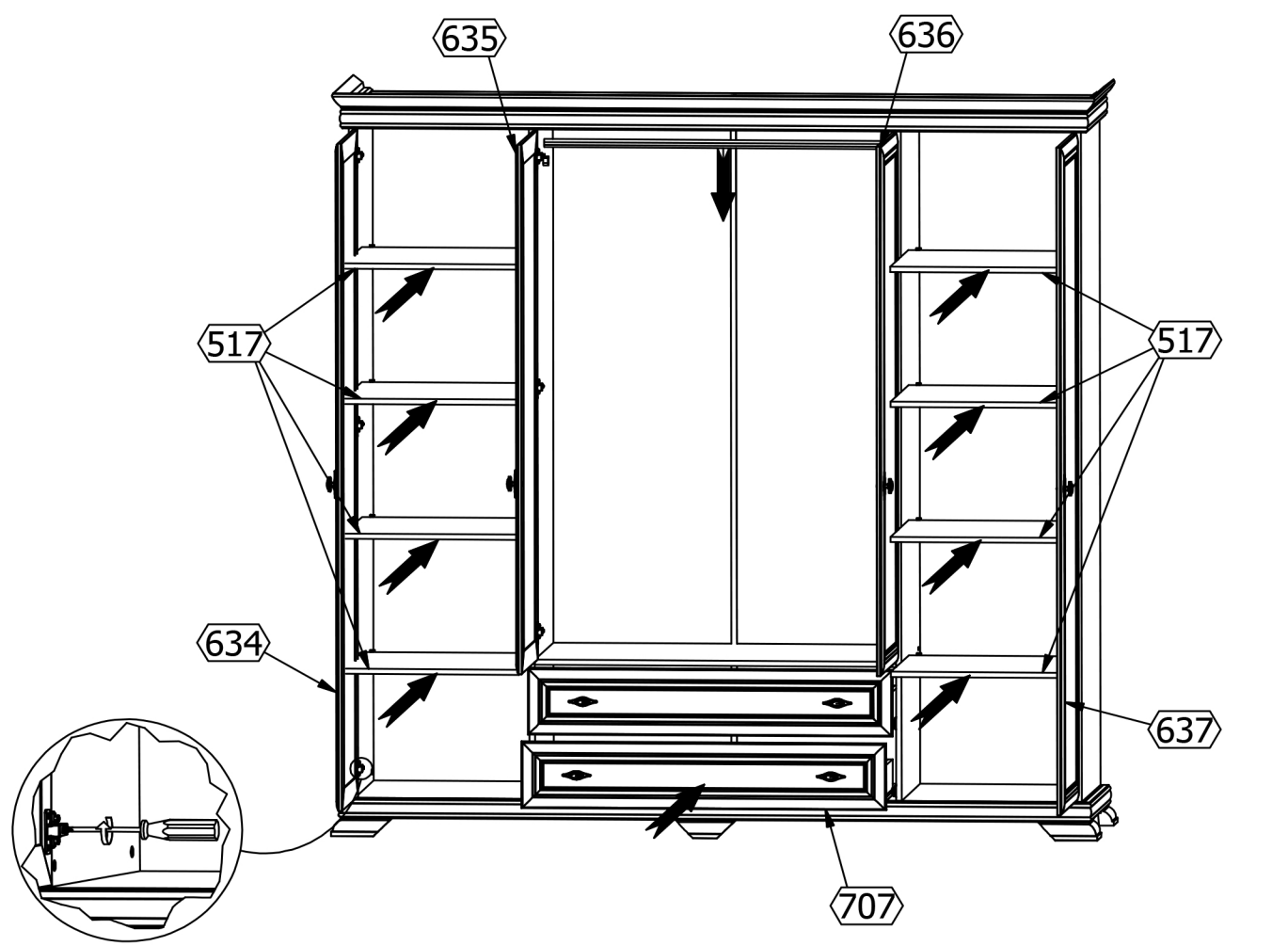
5

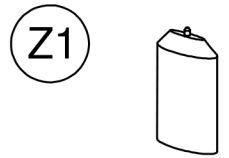
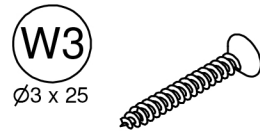
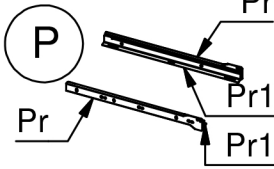
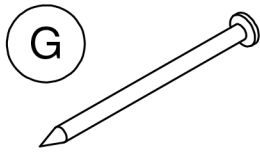
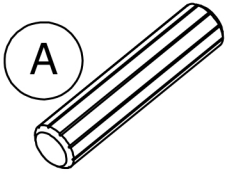
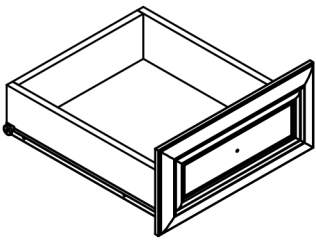


6

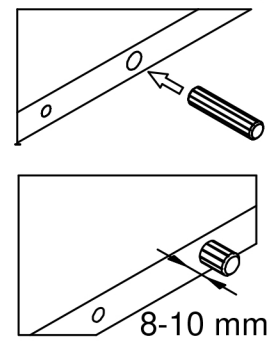
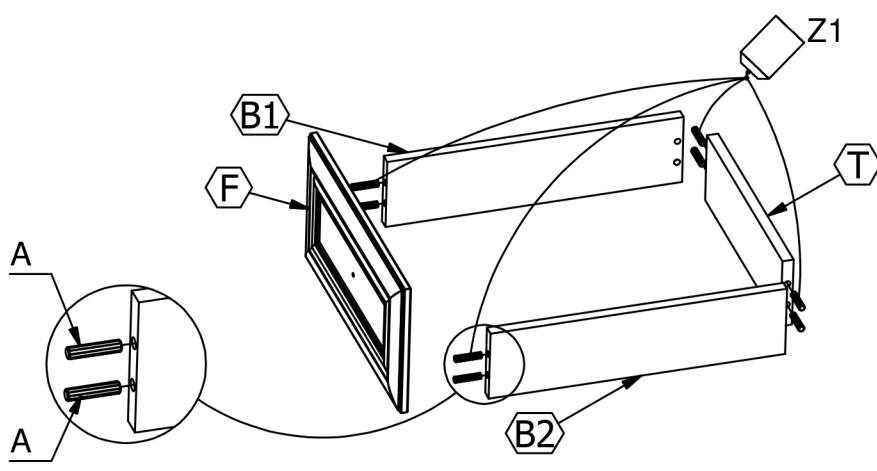


7

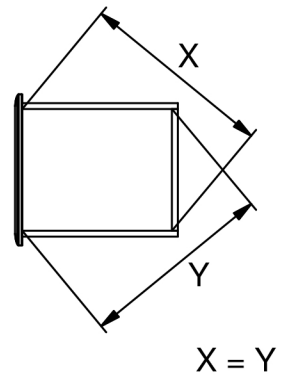
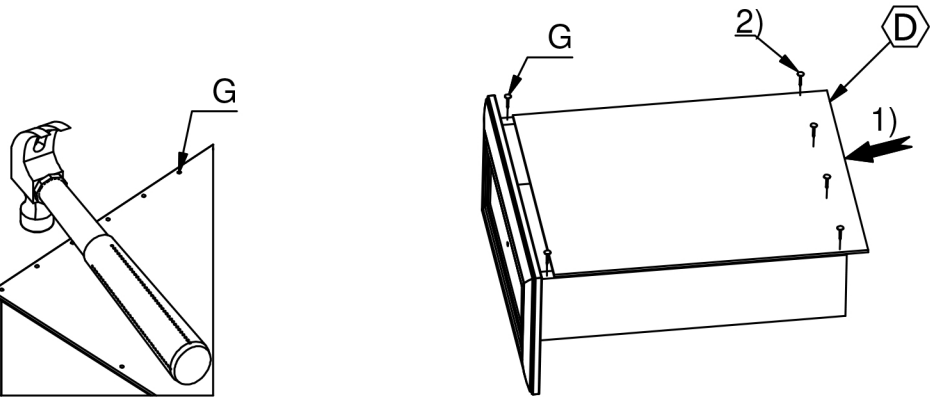




**I**



**II**



**III**

