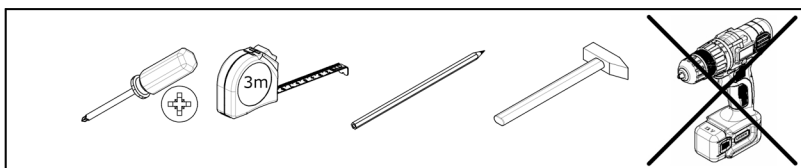
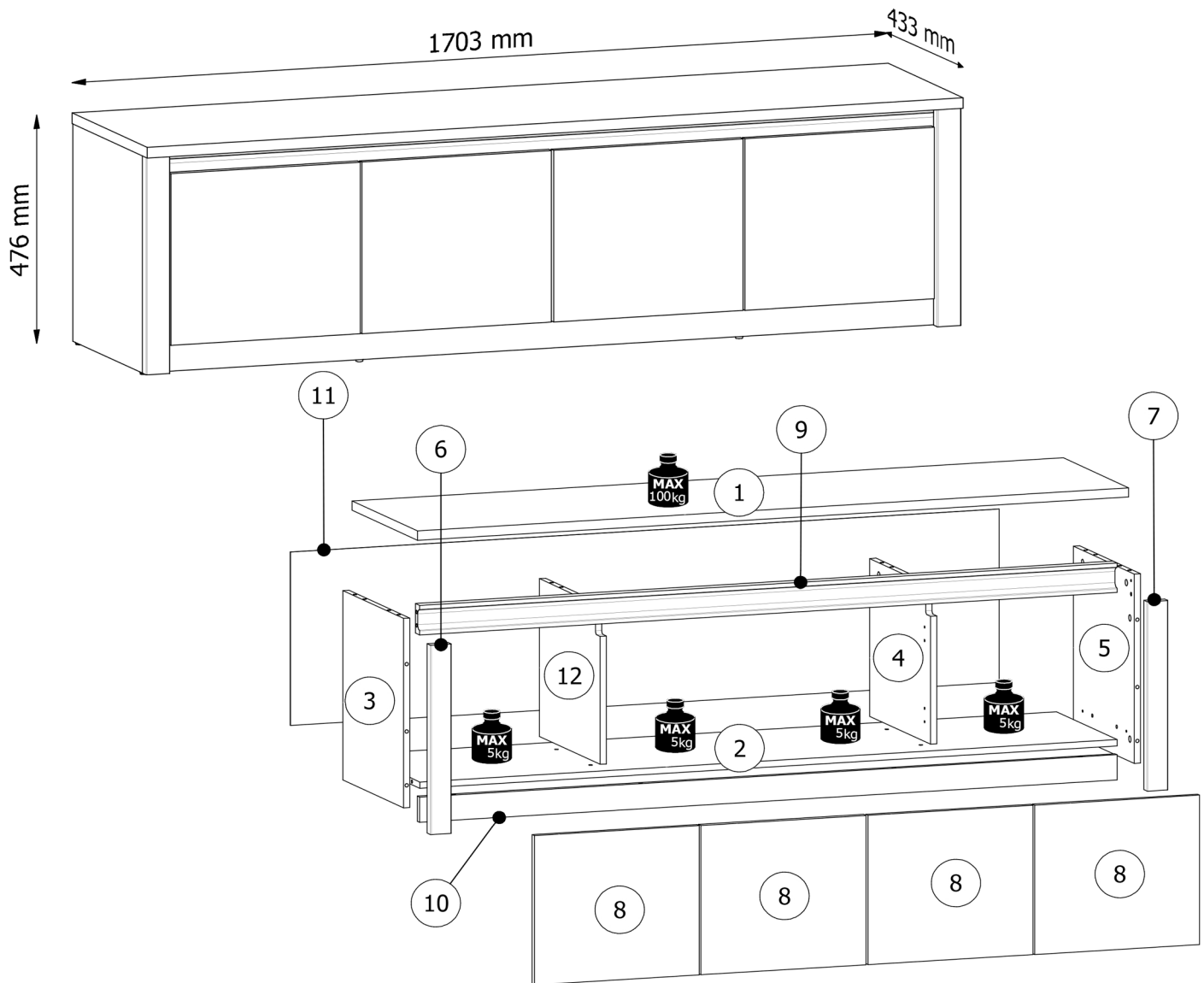
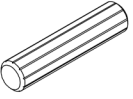
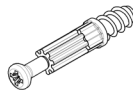

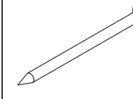
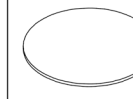
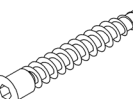


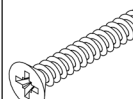







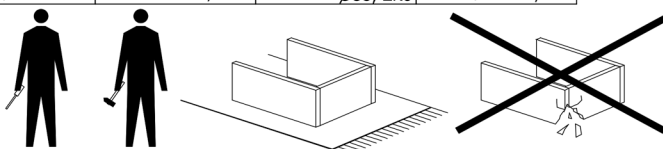
MONTANA

K4D



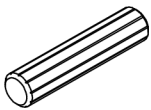
A1 x20  Ø8x35mm	B1 x18  Ø5x38mm	C1 x18  Ø15x12mm	G1 x40  26mm	J x10  Ø21mm
K1 x4  Ø6,4x50mm	N2 x1  4mm HEX	W2 x16  Ø3,5x16mm	W5 x2  Ø4x30mm	Y1 x8  Ø8x1,5mm
Y5 x8  Ø15x20mm	Z1 x4  50x40, H=2	Z3 x4  Ø35, ZK0	Z6 x4  Ø35mm, 90°	

No.	L[mm]	W[mm]	H[mm]	PCS	BOX
1	1703	430	22	1	1/1
2	1670	400	15	1	1/1
3	450	400	15	1	1/1
4	375	400	15	1	1/1
5	450	400	15	1	1/1
6	450	50	22	1	1/1
7	450	50	22	1	1/1
8	395	355	15	4	1/1
9	1670	70	28	1	1/1
10	1670	60	15	1	1/1
11	1697	412	2,5	1	1/1
12	375	400	15	1	1/1



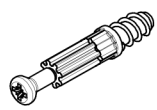
1

A1 x 6

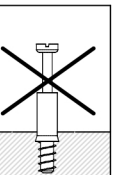
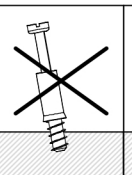
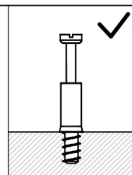
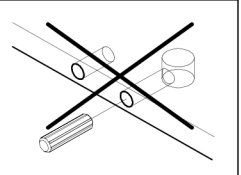
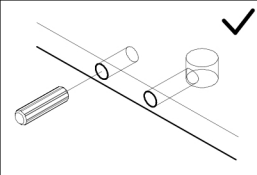
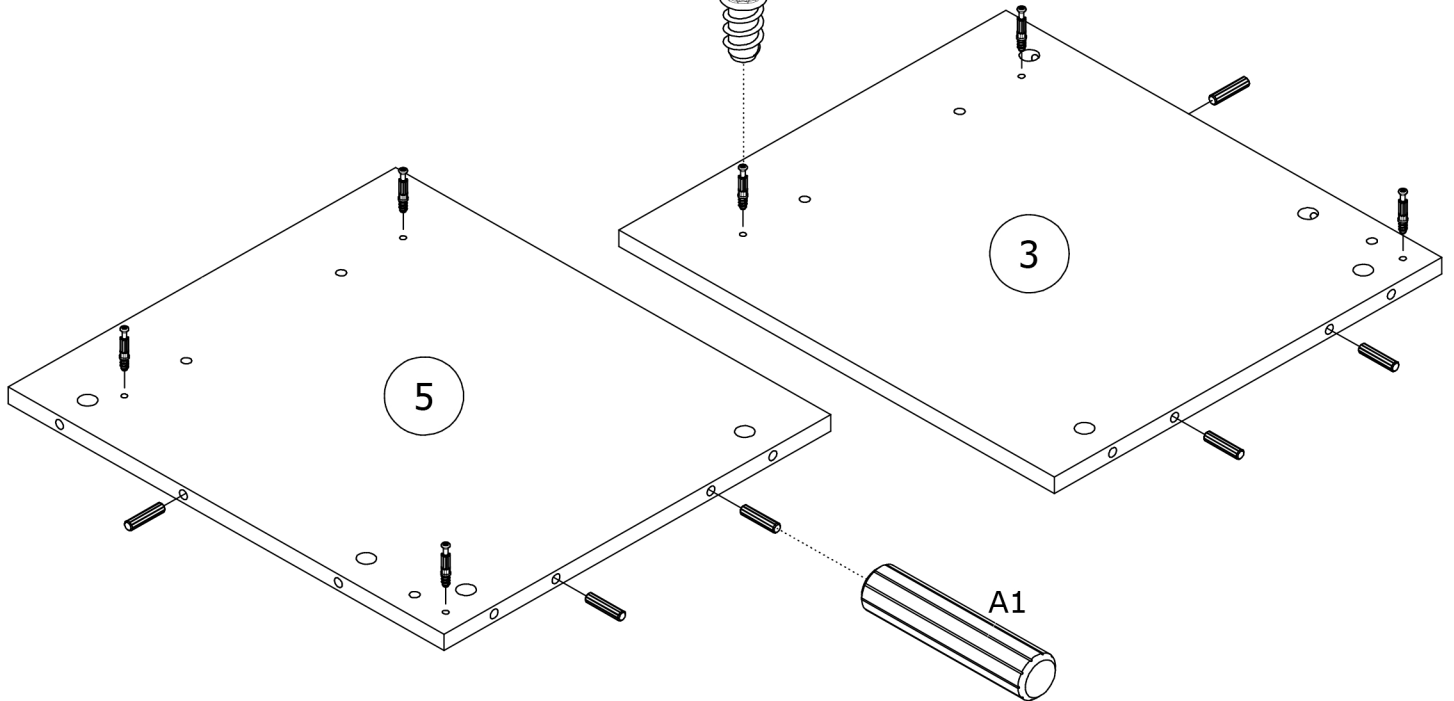
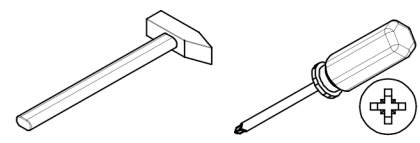
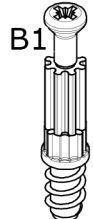


Ø8x35mm

B1 x 6

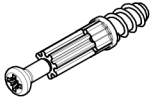


Ø5x38mm



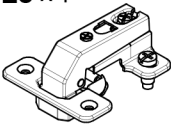
2

B1 x 4

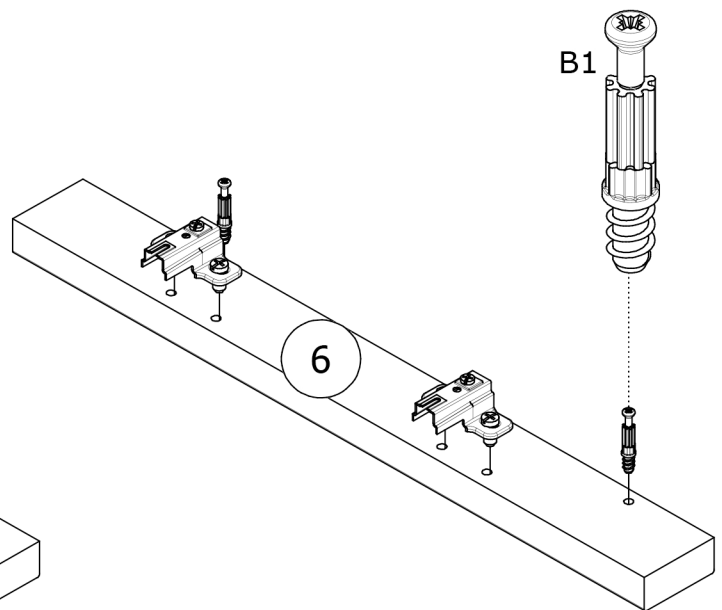
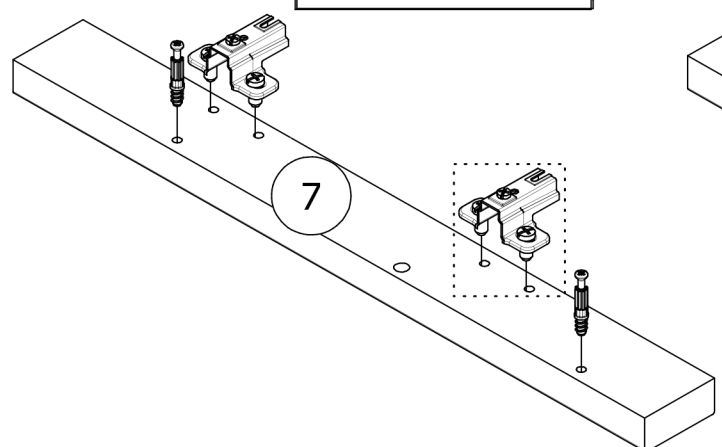
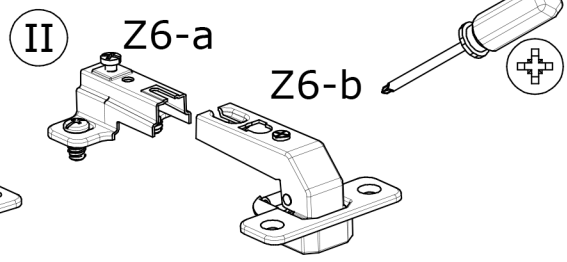
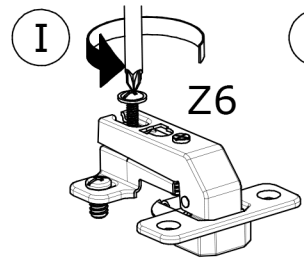
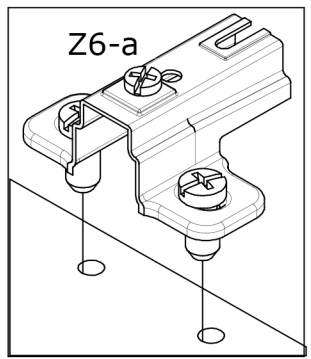


Ø5x38mm

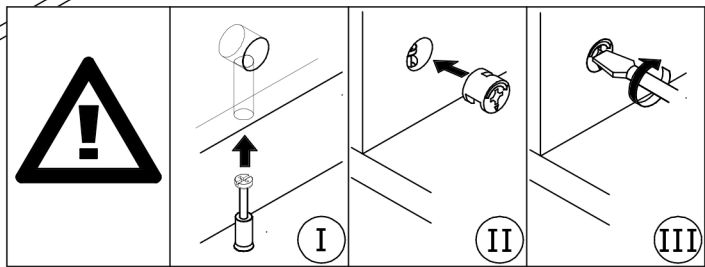
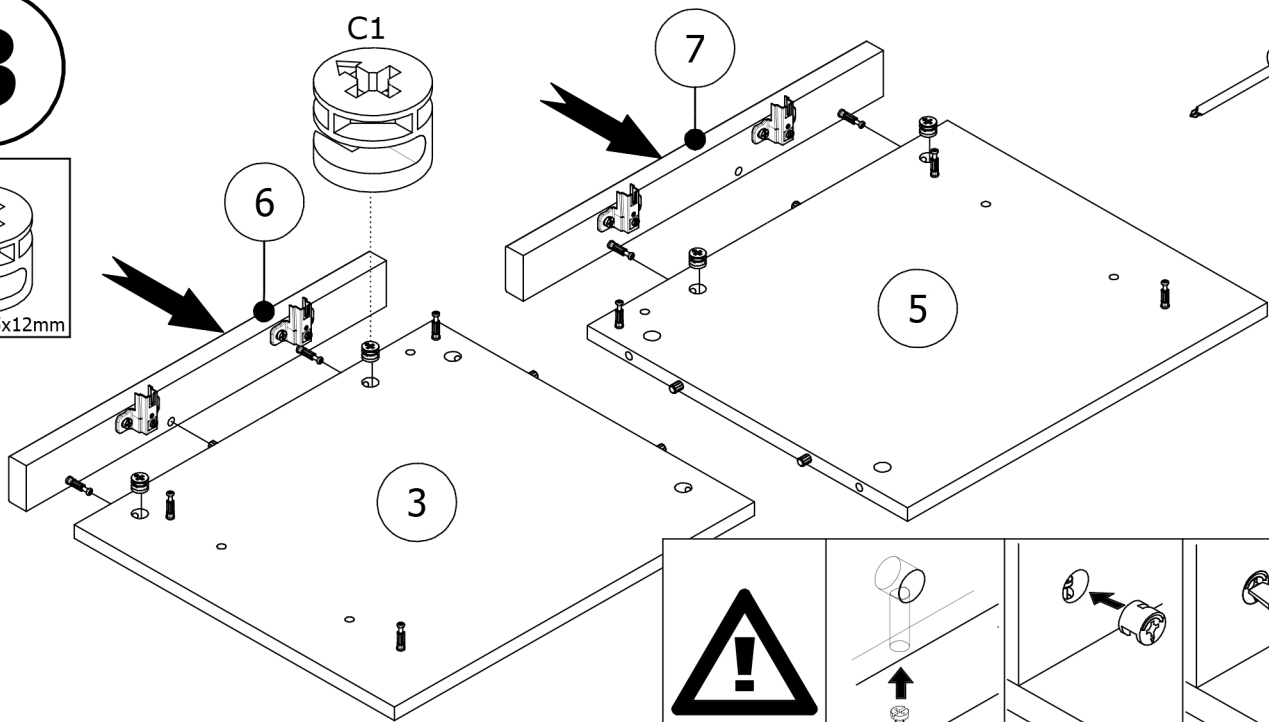
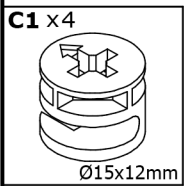
Z6 x 4



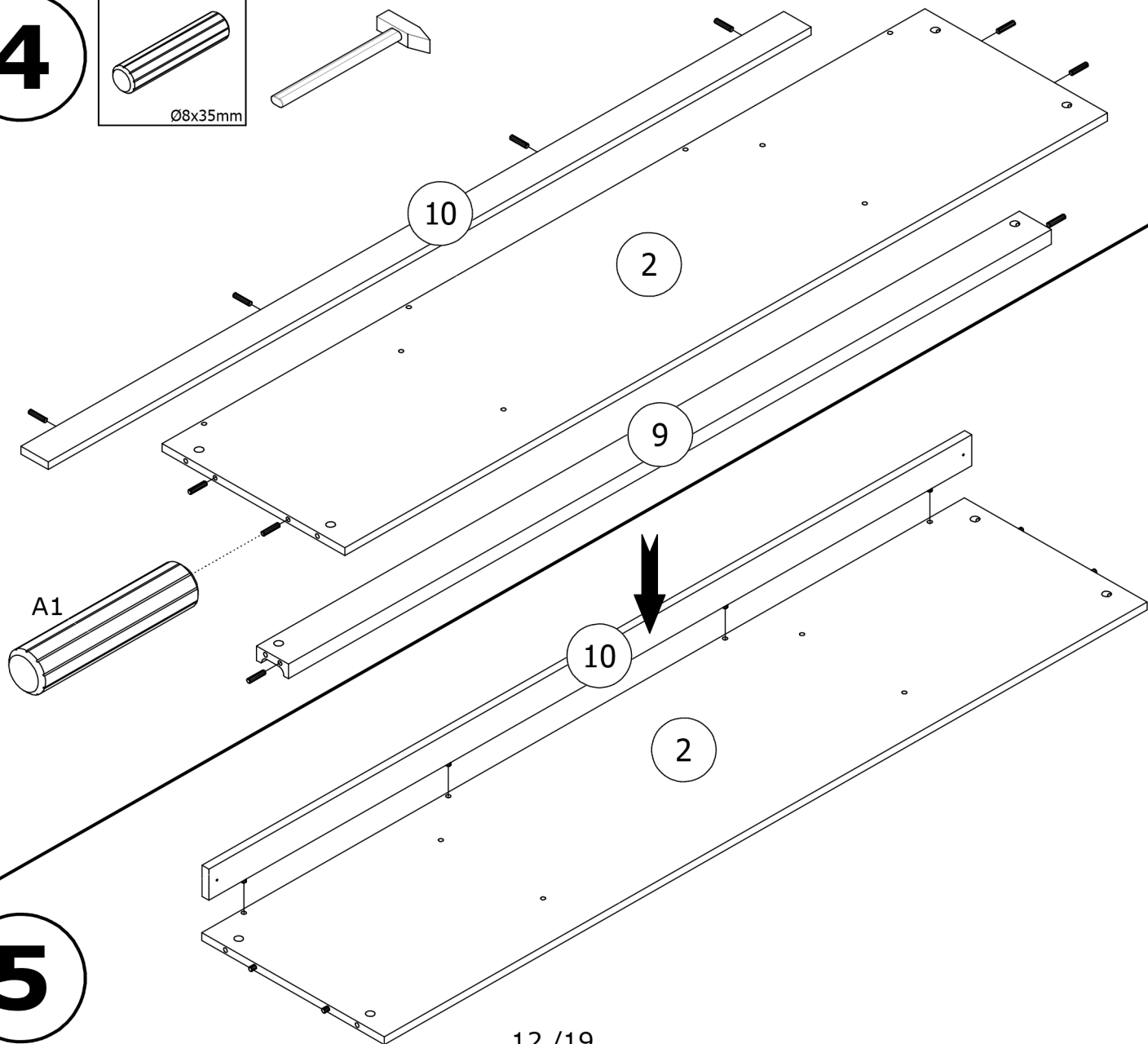
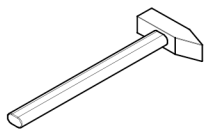
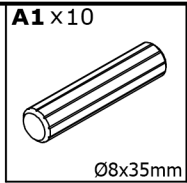
Ø35mm, 90°



3

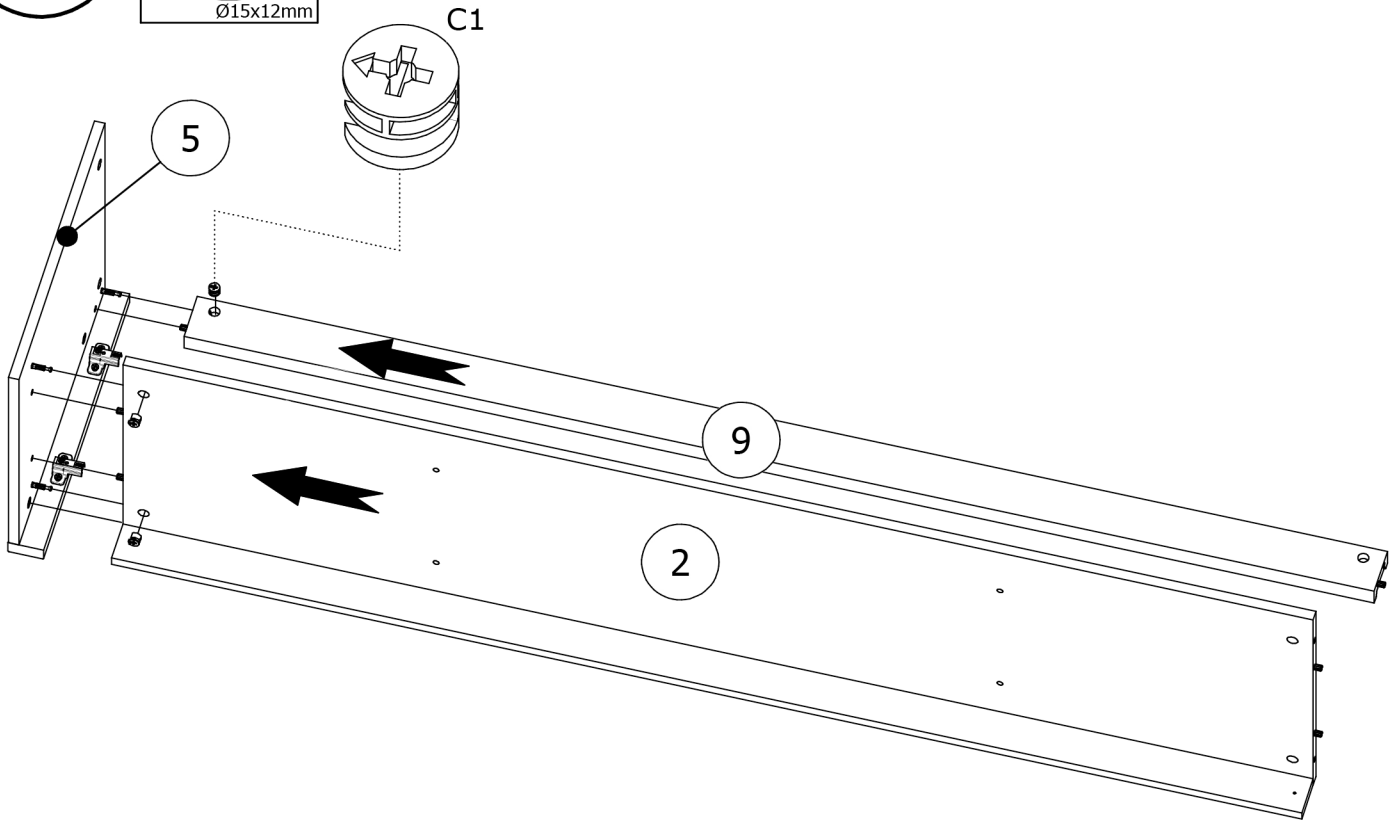
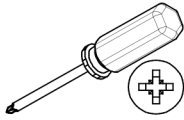
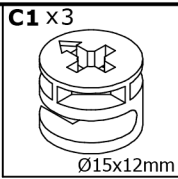


4

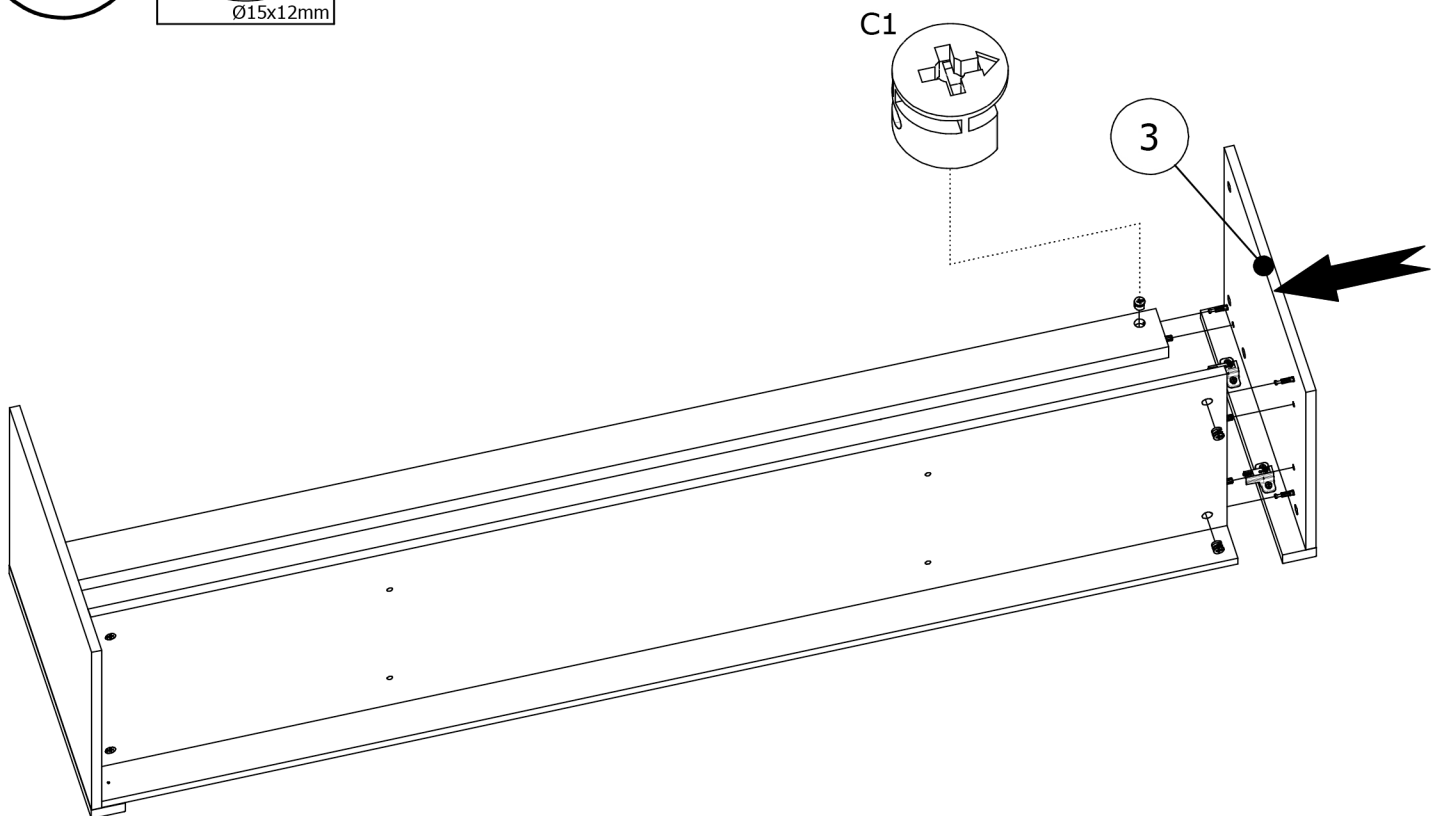
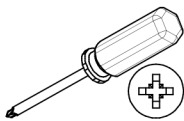
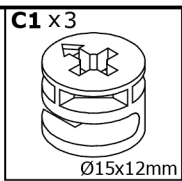


5

6



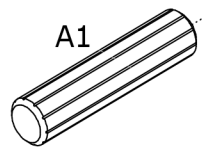
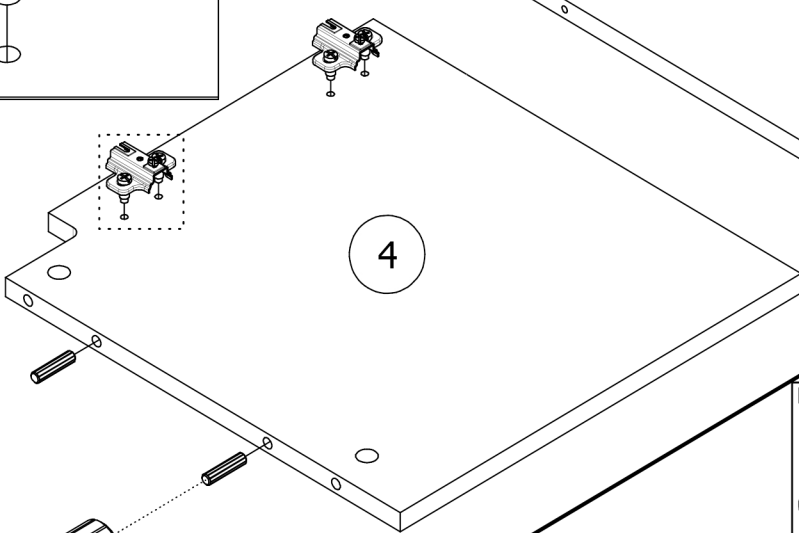
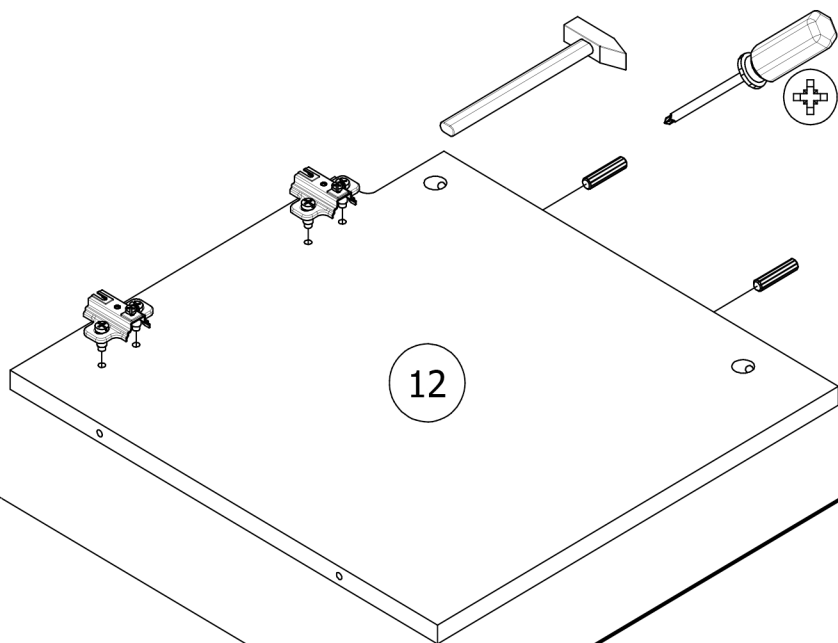
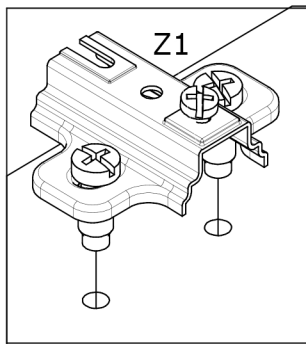
7



8

A1 x4
Ø8x35mm

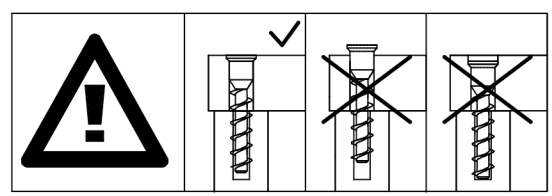
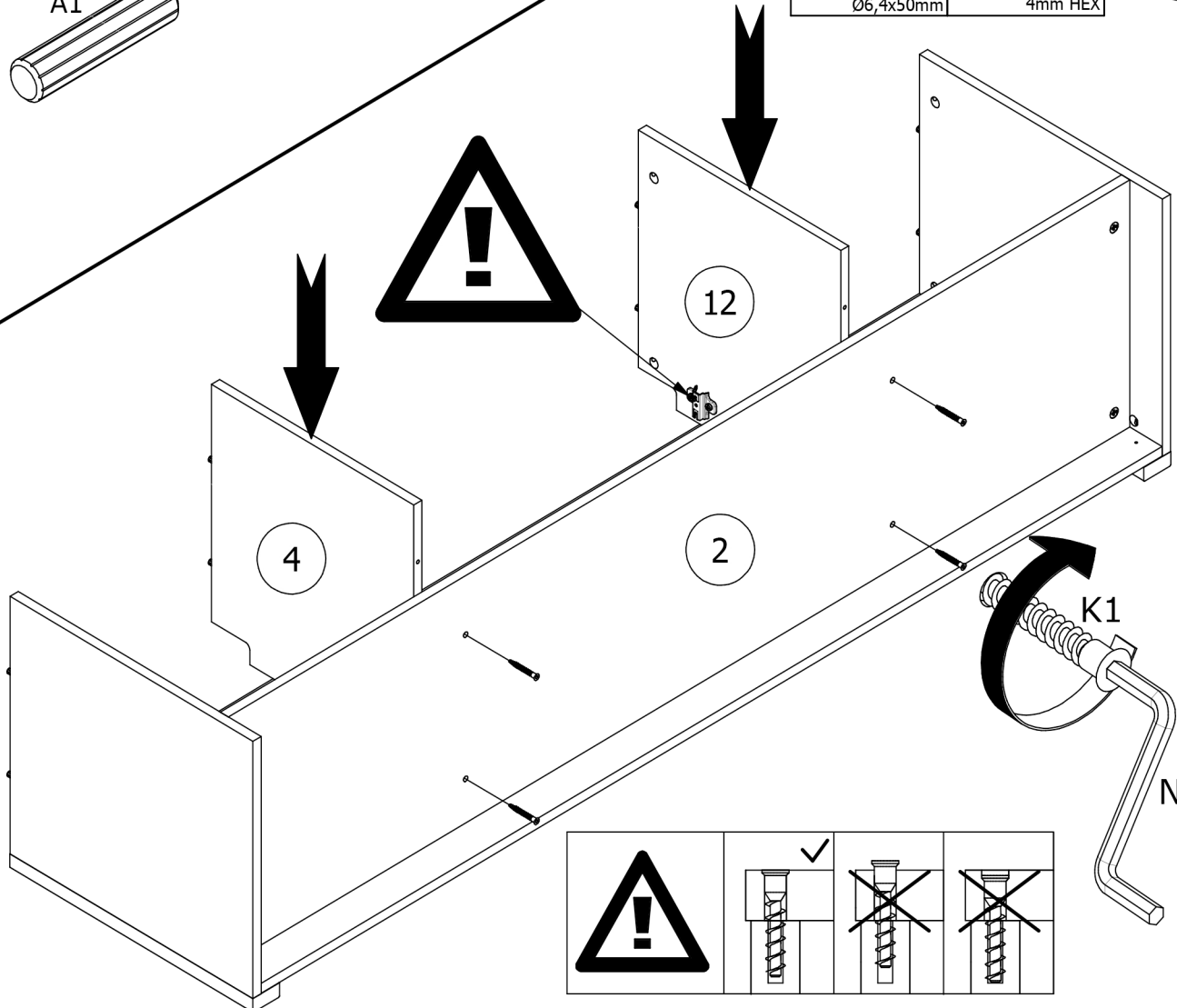
Z1 x4
50x40, H=2



K1 x4
Ø6,4x50mm

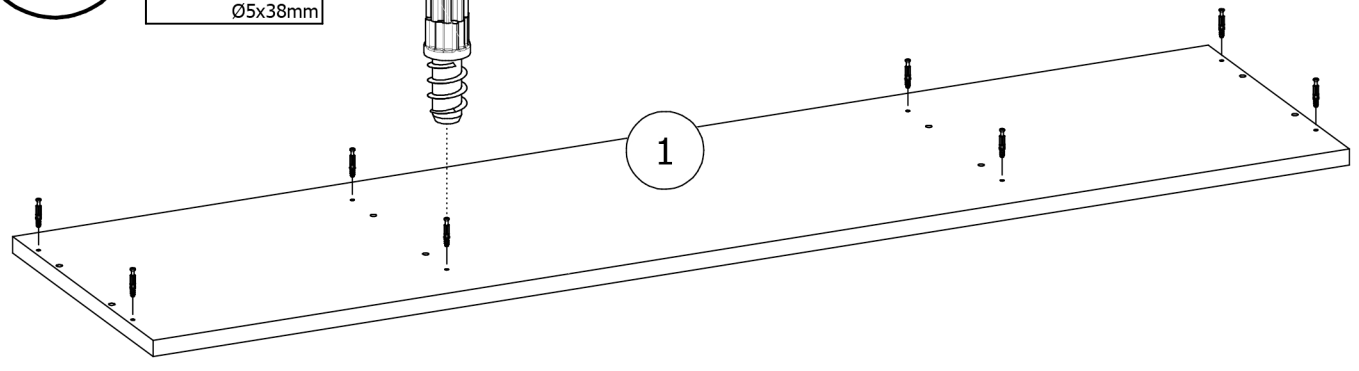
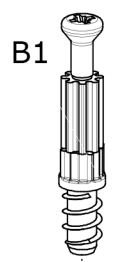
N2 x1
4mm HEX

9



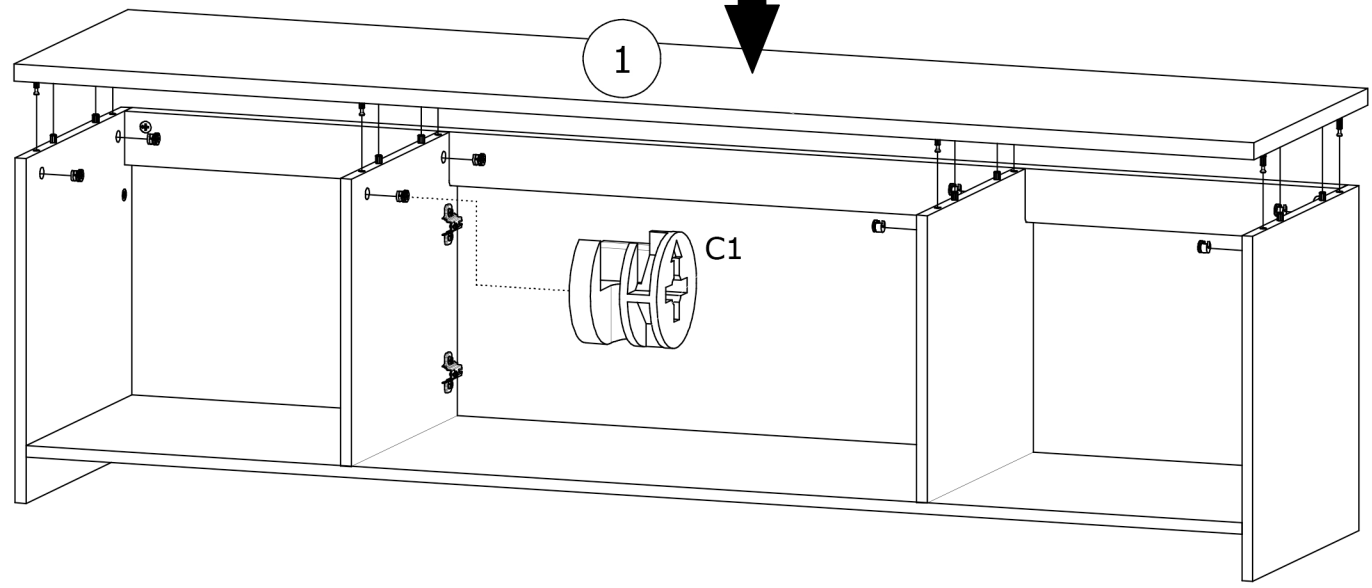
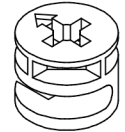
10

B1 x 8
Ø5x38mm



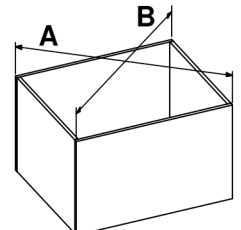
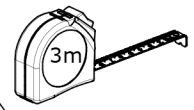
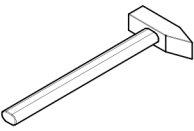
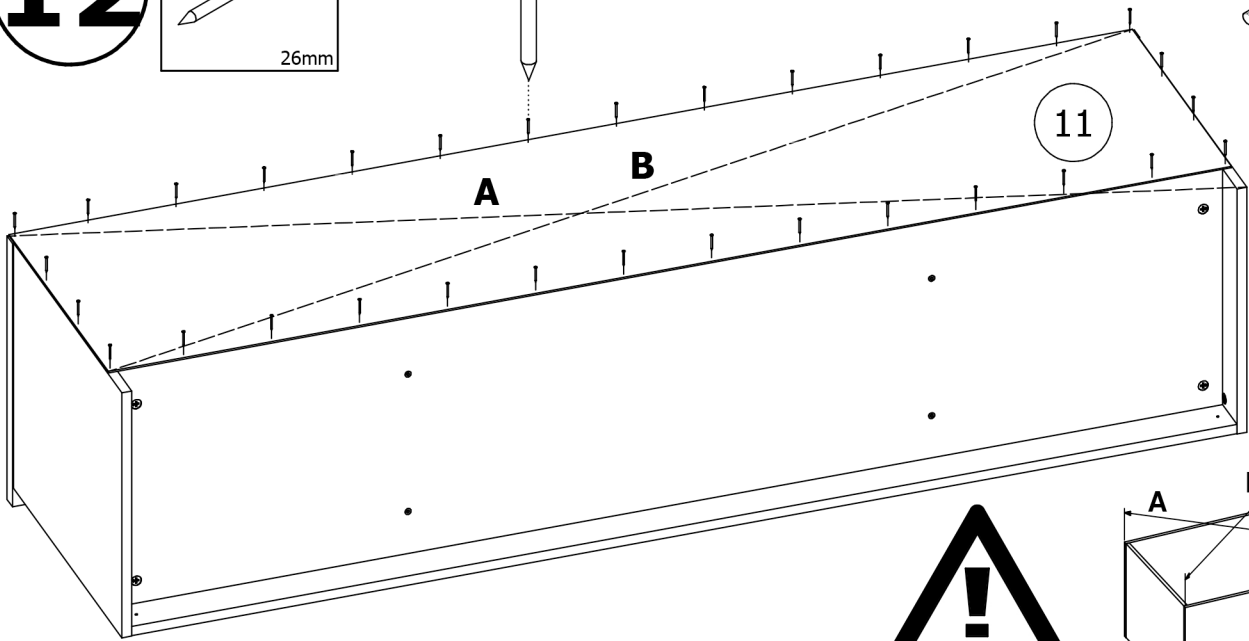
11

C1 x 8
Ø15x12mm



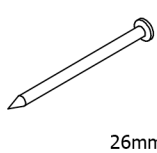
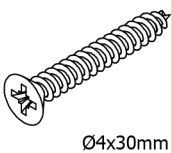
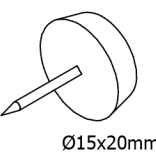
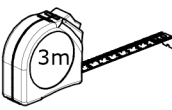
12

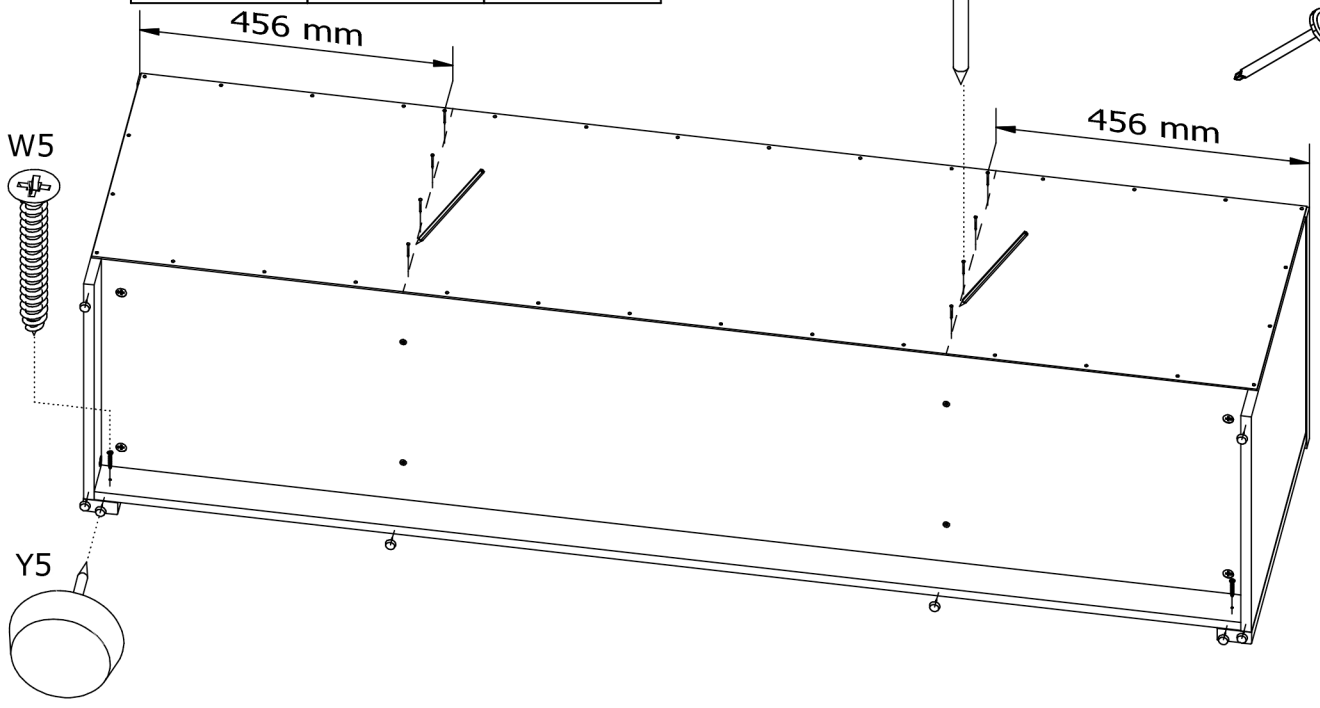
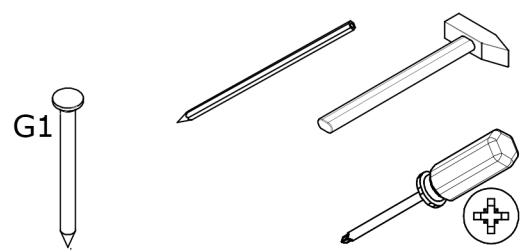
G1 x 32
26mm





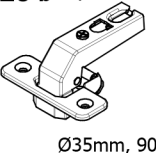
A=B

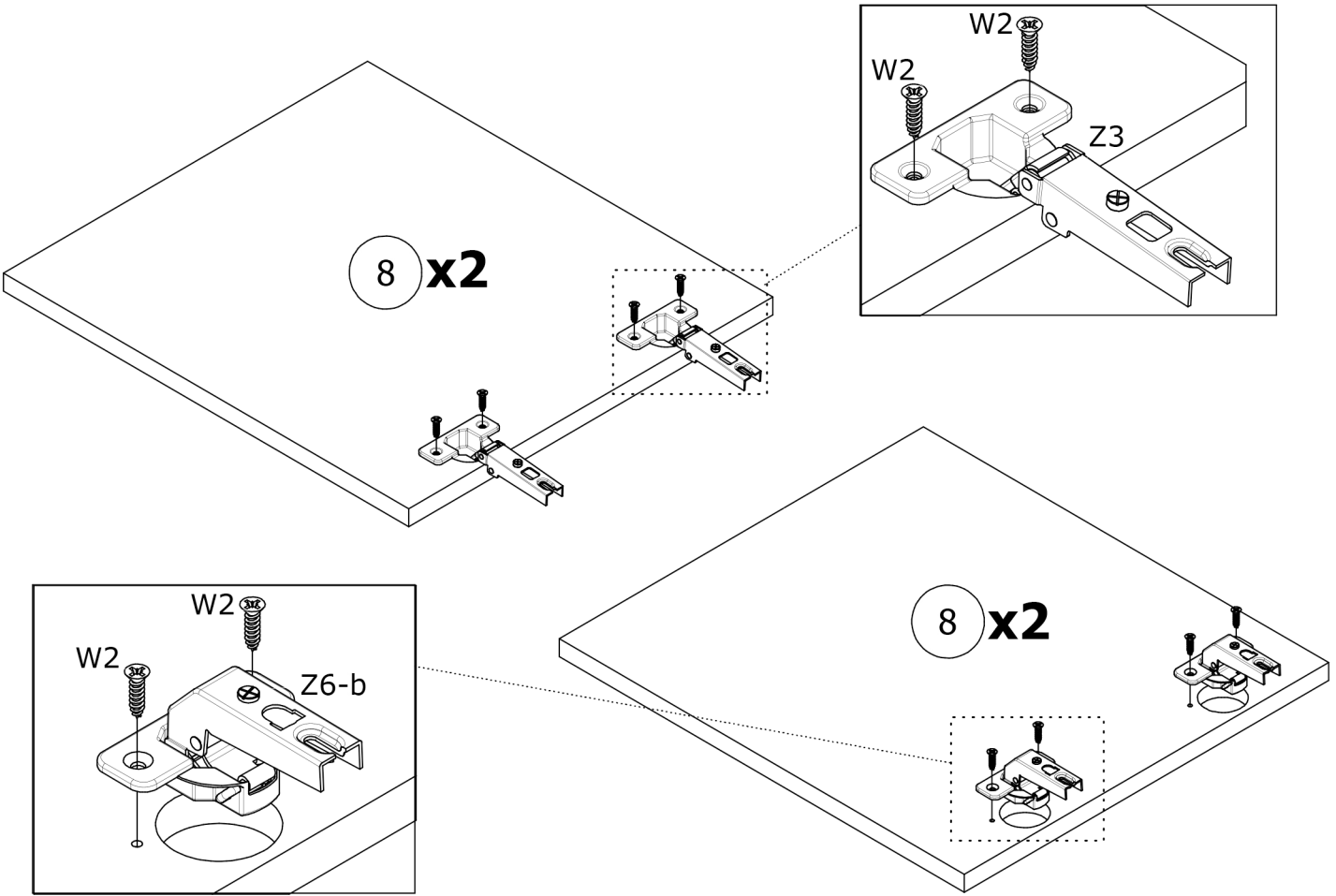
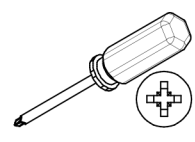
13

- G1 x 8**  26mm
- W5 x 2**  Ø4x30mm
- Y5 x 8**  Ø15x20mm
-  3m



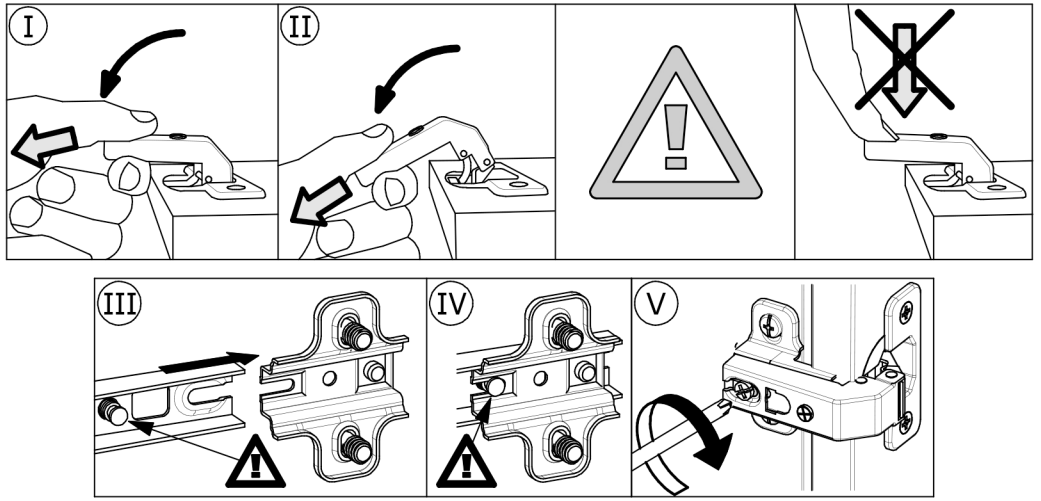
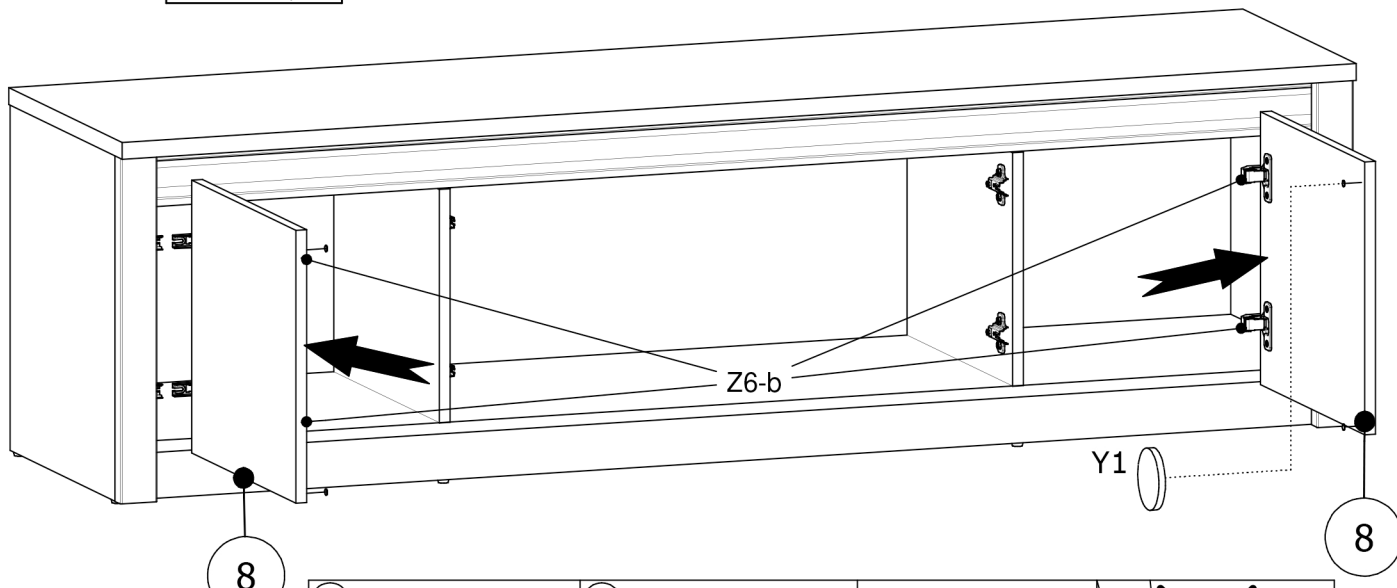
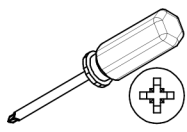
14

- W2 x 16**  Ø3,5x16mm
- Z3 x 4**  Ø35, ZK0
- Z6-b x 4**  Ø35mm, 90°



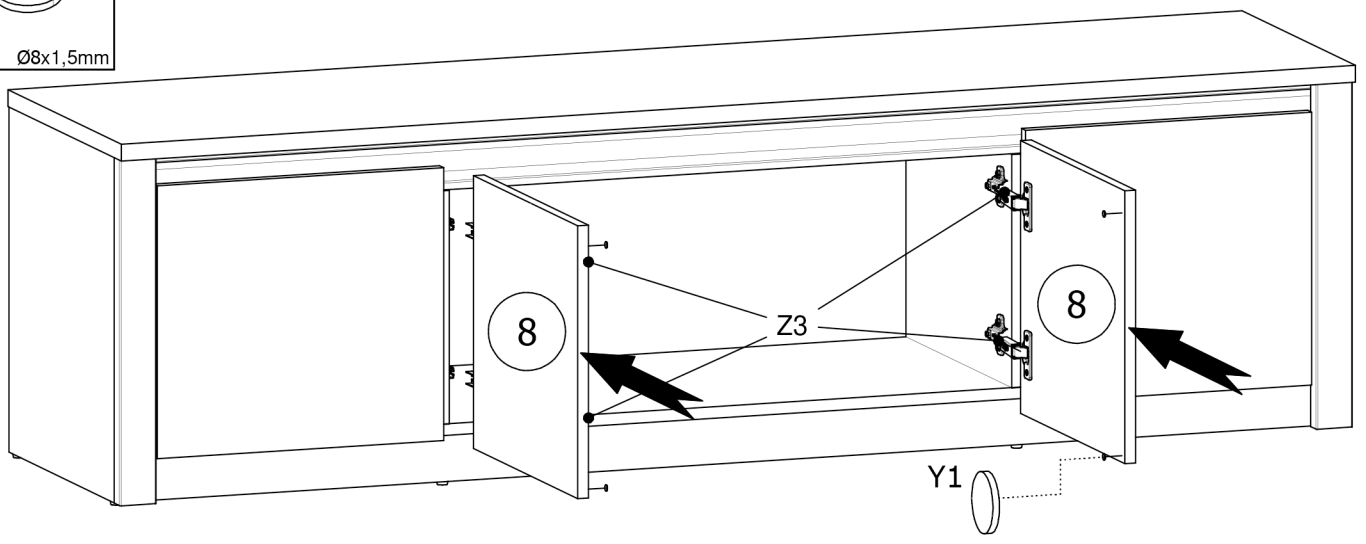
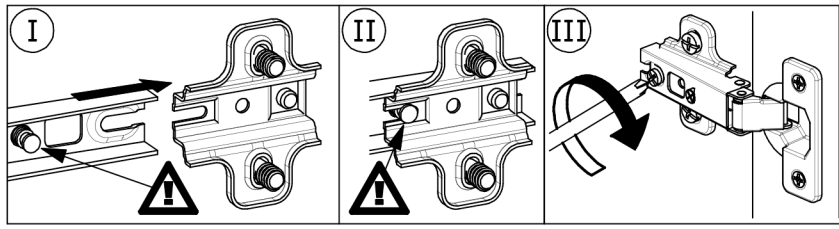
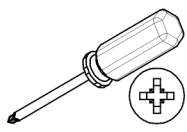
15

Y1 x 4
Ø8x1,5mm



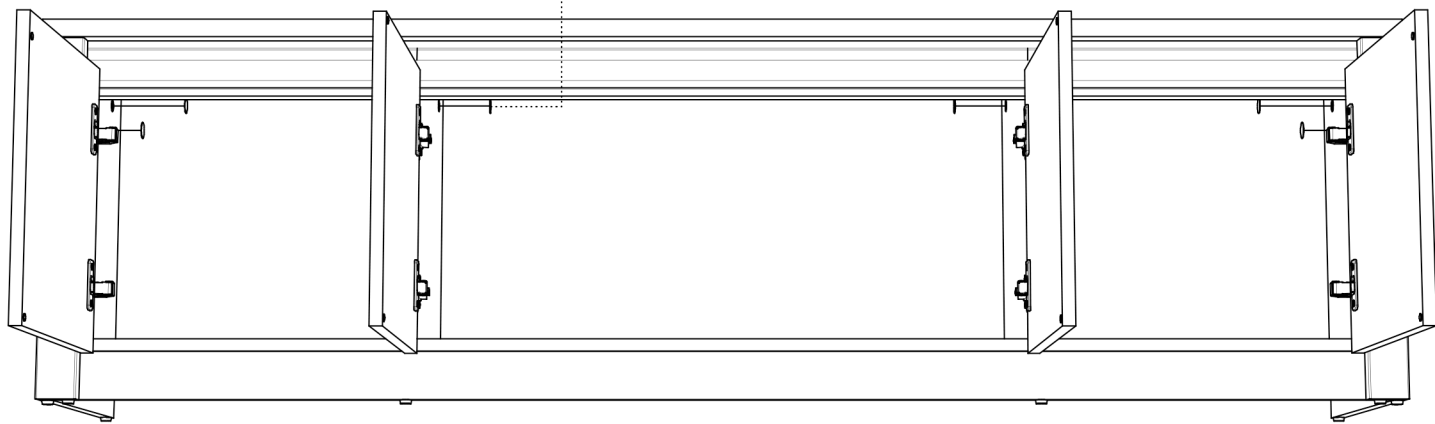
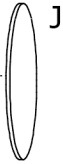
16

Y1 x 4
Ø8x1,5mm

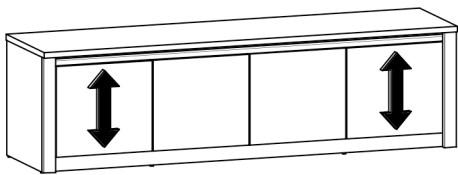
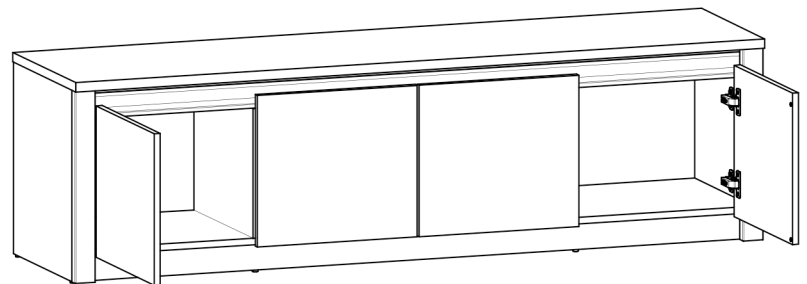


17

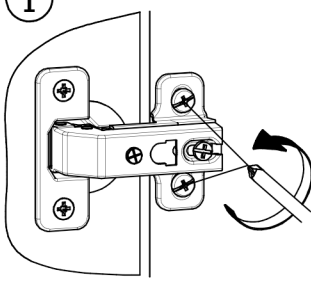
J x 10
Ø21mm



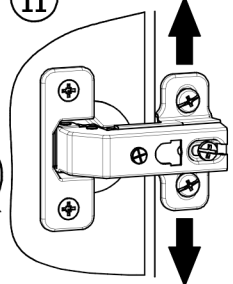
18



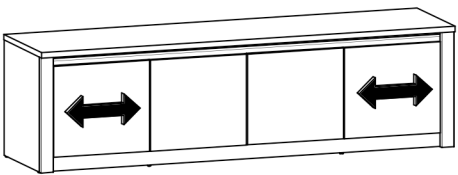
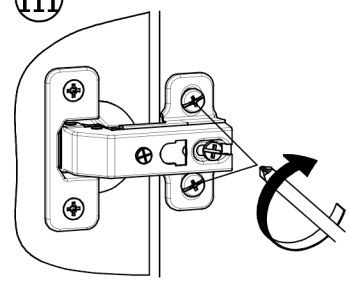
I



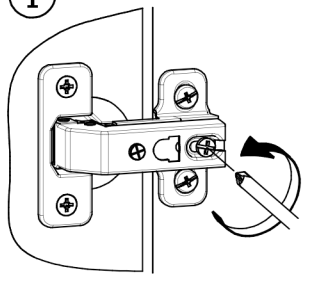
II



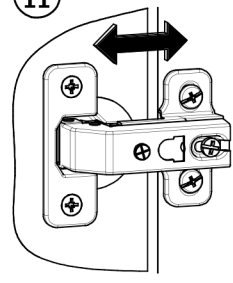
III



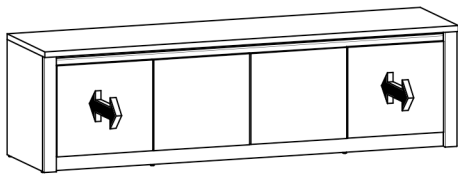
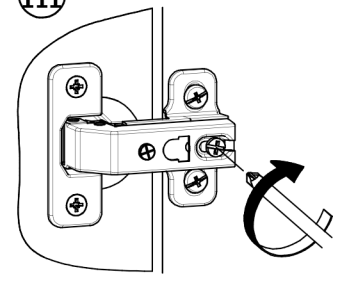
I



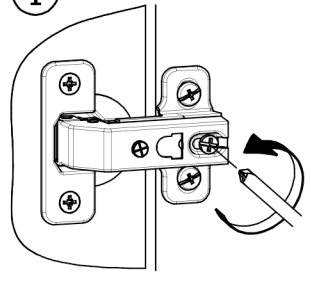
II



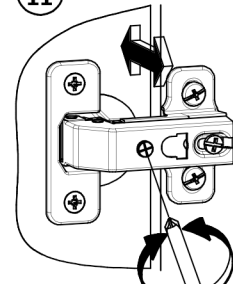
III



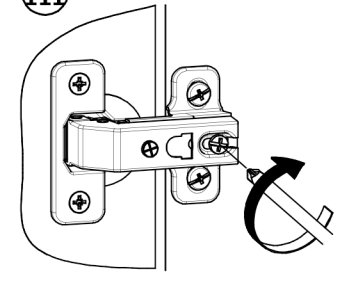
I



II



III



19

