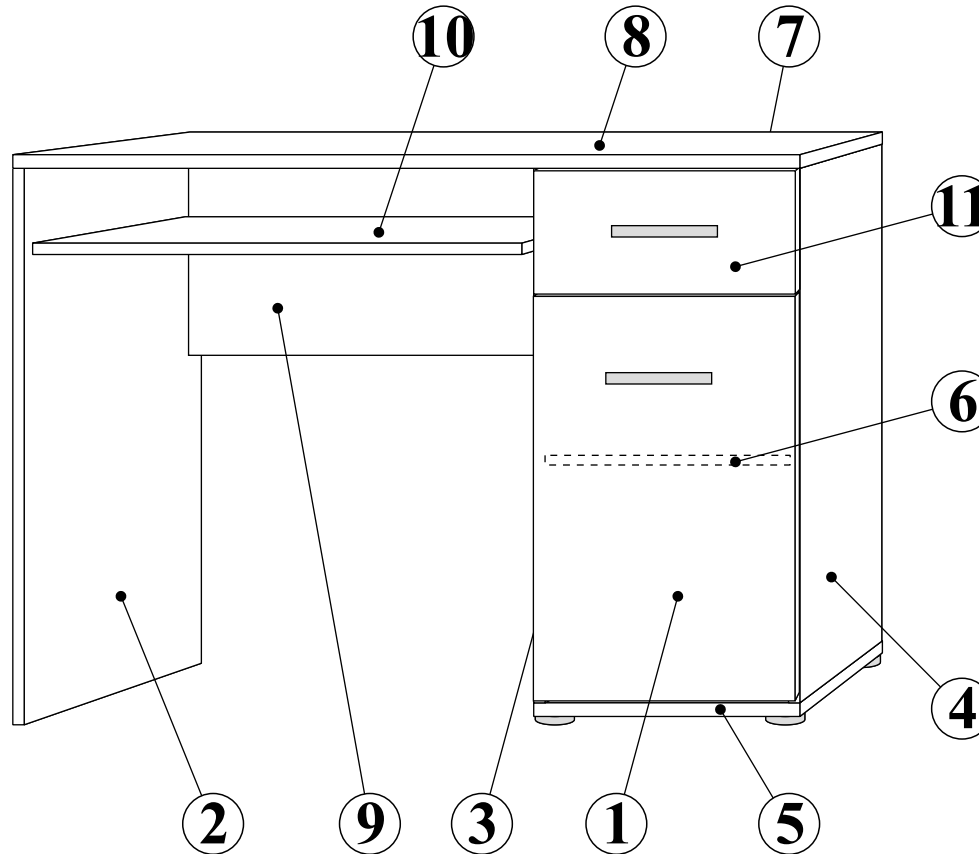
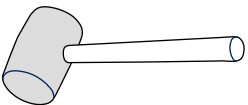
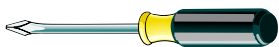
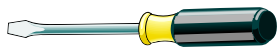
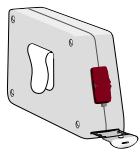
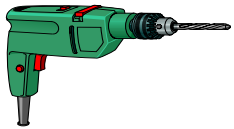
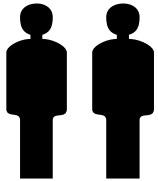





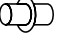
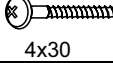

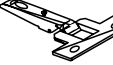
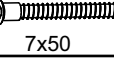

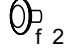


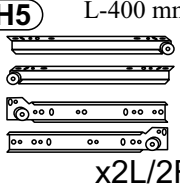

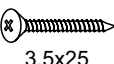


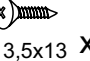
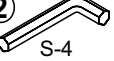
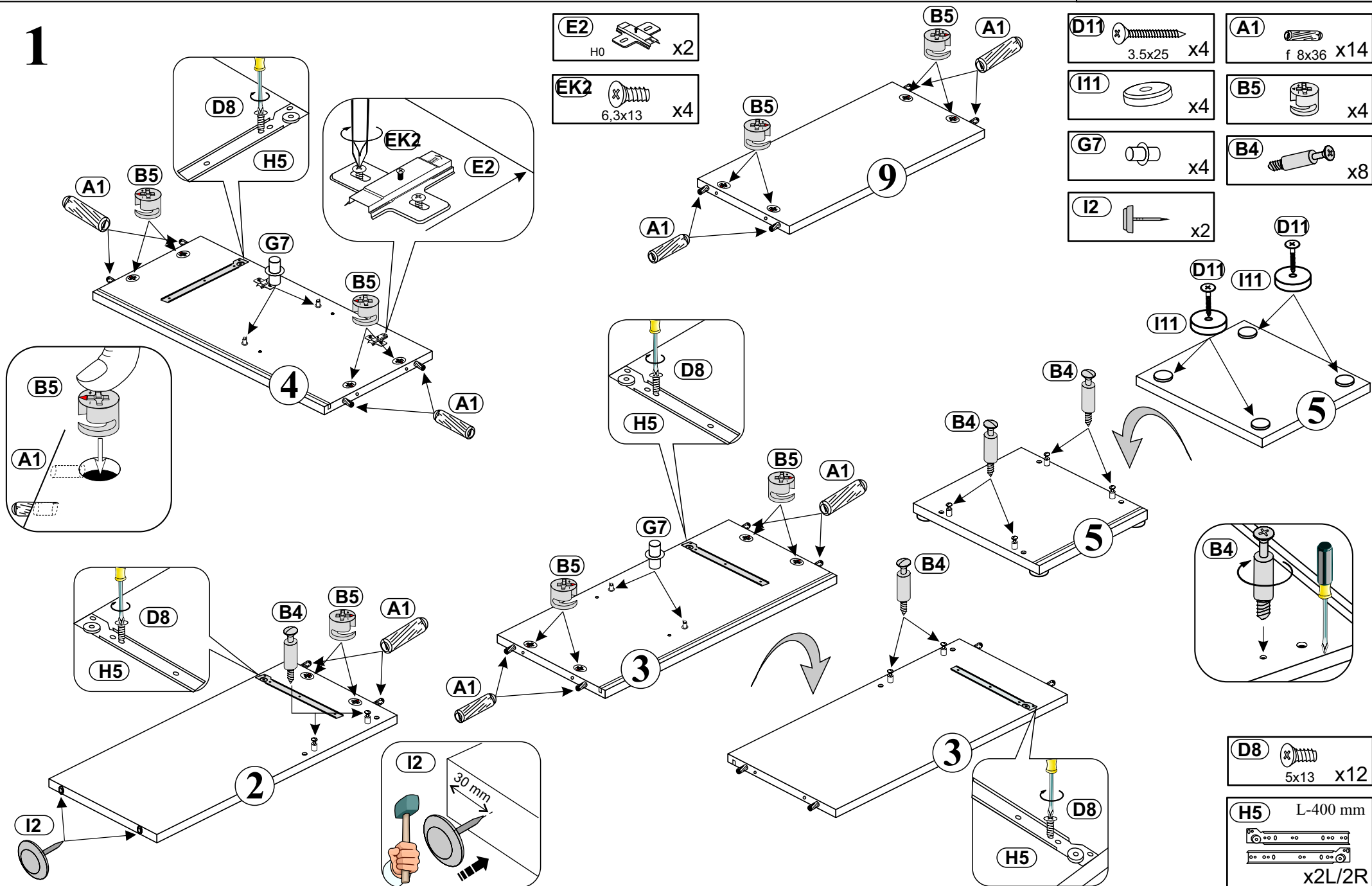


EMIO 6

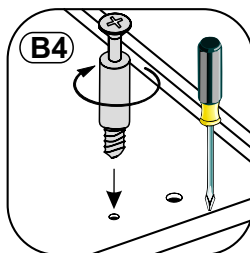
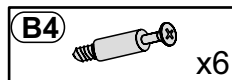
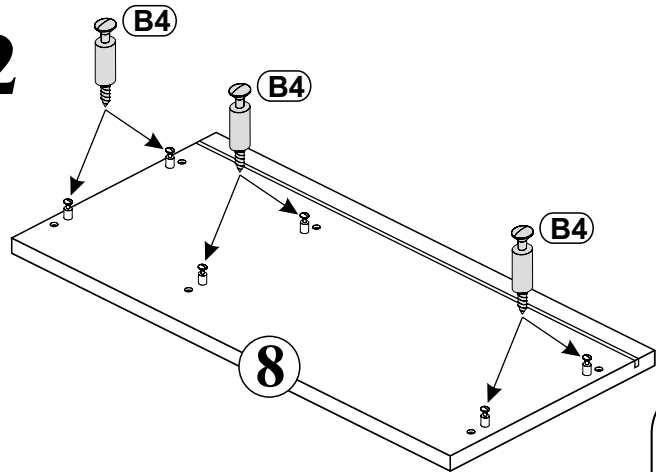


- A1**  f 8x36 x18
- B5**  x16
- B4**  x16
- G5**  #15 x16
- UL2**  L-128 x2
- G7**  x4
- UP6**  4x30 x4
- S1**  x4
- E1**  Kr0 x2
- B11**  7x50 x2
- E2**  H0 x2
- I1**  f 2 x2
- EK2**  6,3x13 x4
- I2**  x2
- H5**  L-400 mm x2L/2R
- B3**  x12
- D11**  3,5x25 x4
- D8**  5x13 x12
- I11**  x4
- D10**  3,5x13 x16
- G2**  S-4 x1

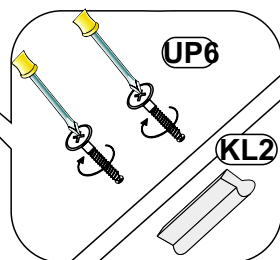
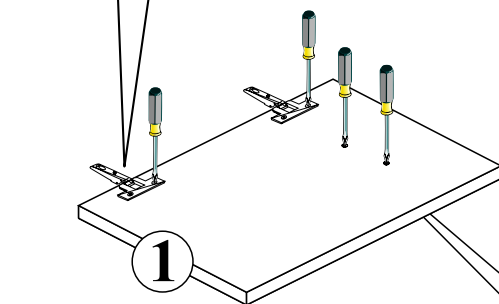
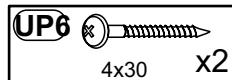
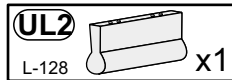
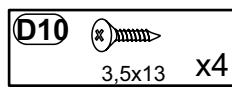
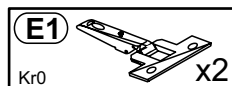
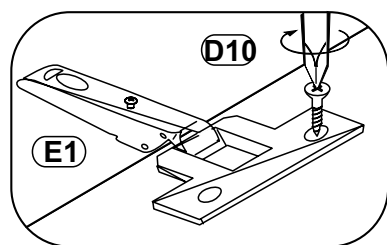
1



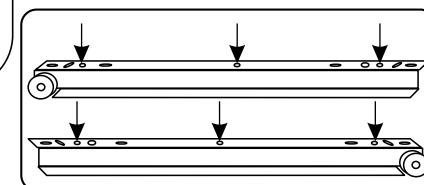
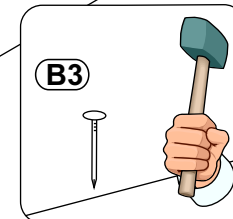
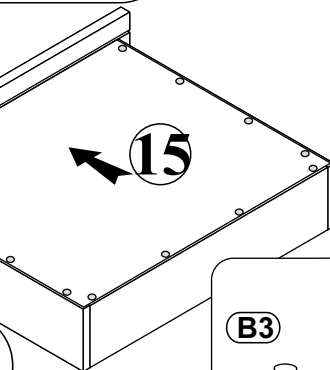
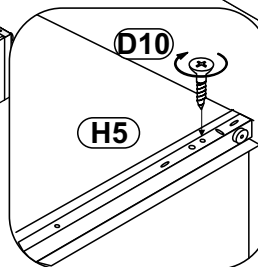
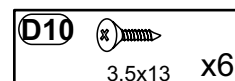
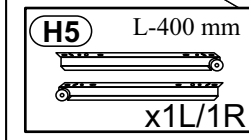
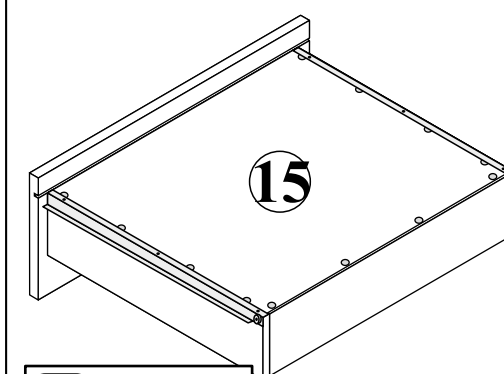
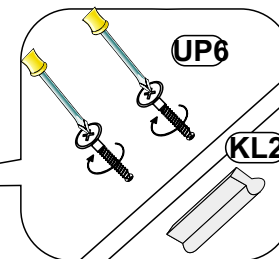
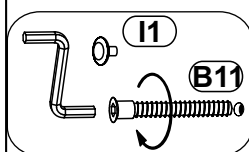
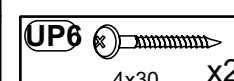
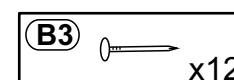
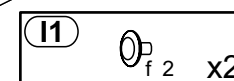
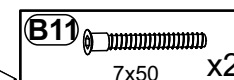
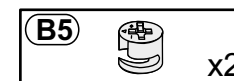
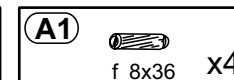
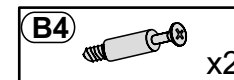
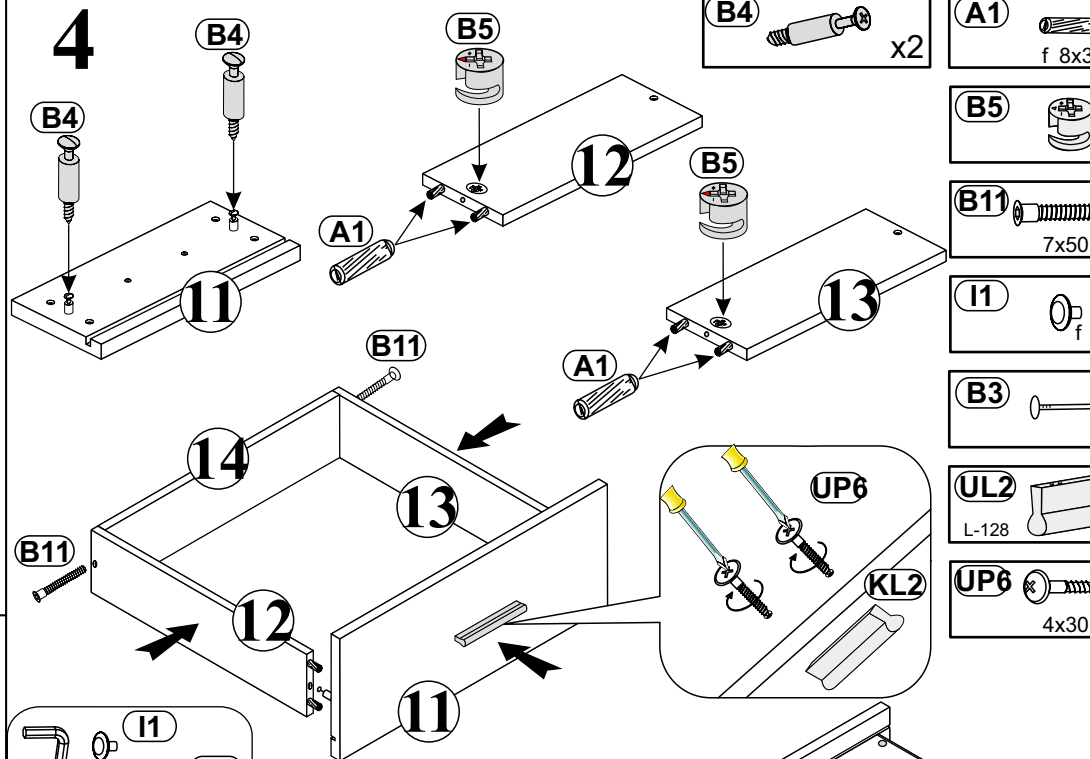
2



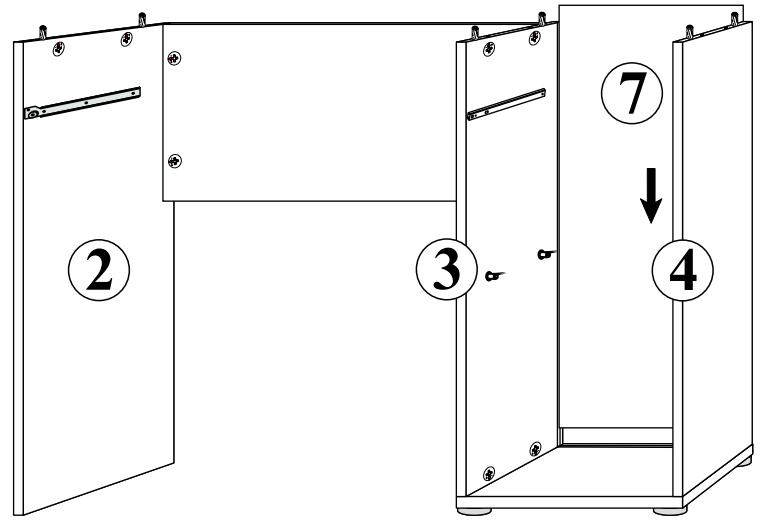
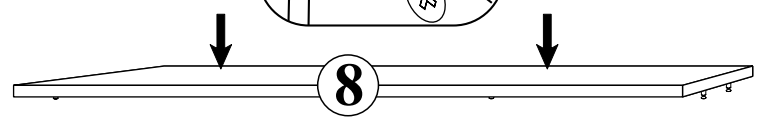
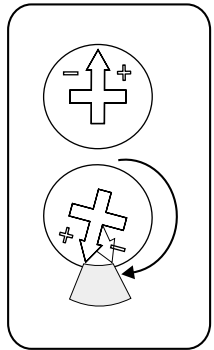
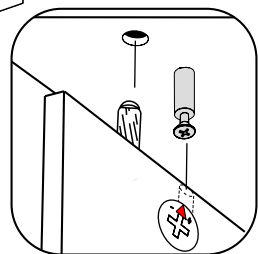
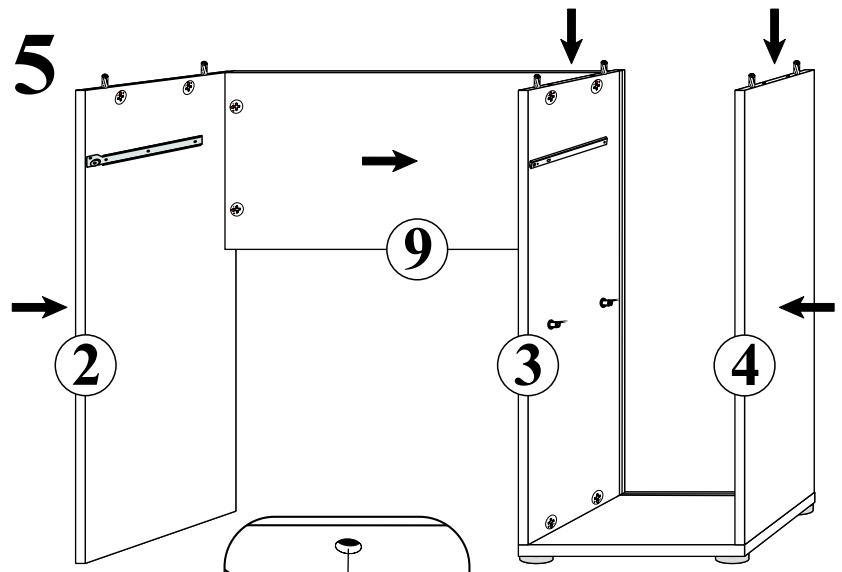
3




4

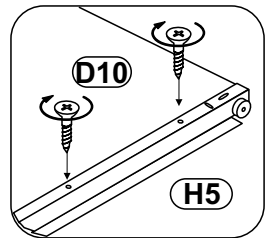
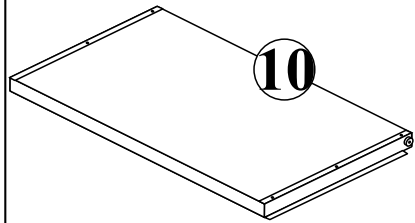
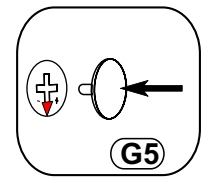
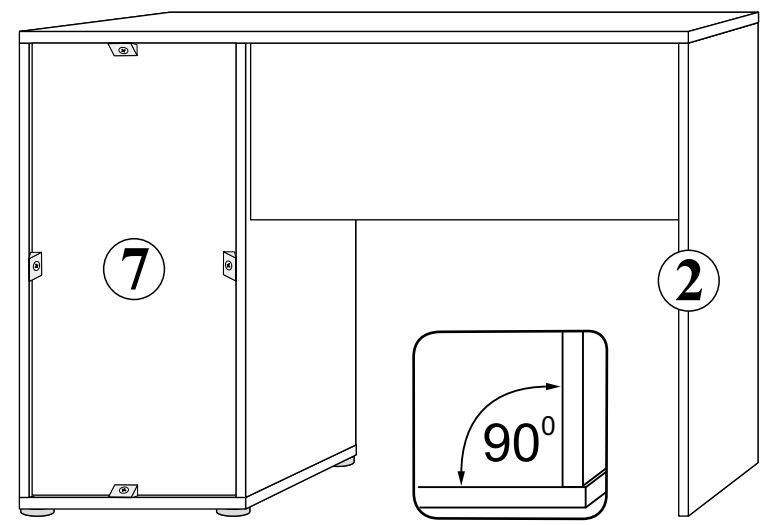
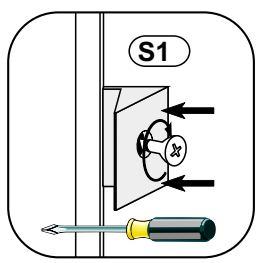


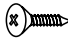
5

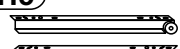


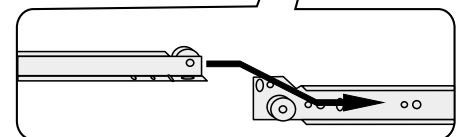
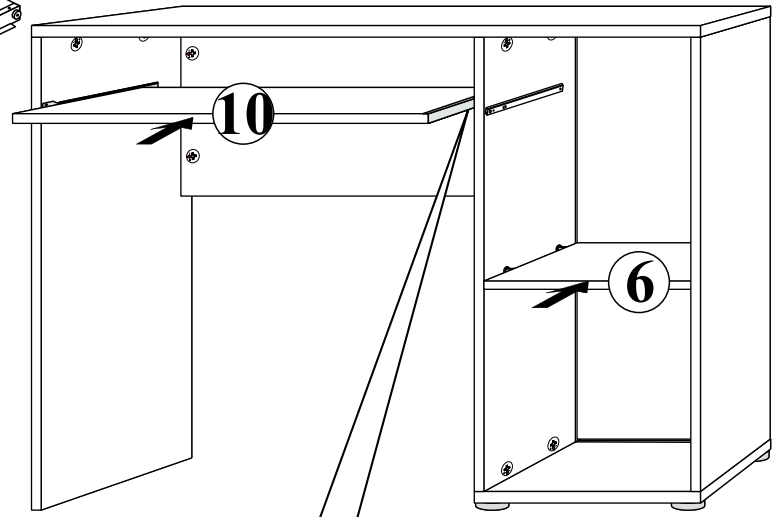
6


S1  x4



D10  3,5x13 x6

H5 L-400 mm  x1L/1R



G5  #15 x16

7

