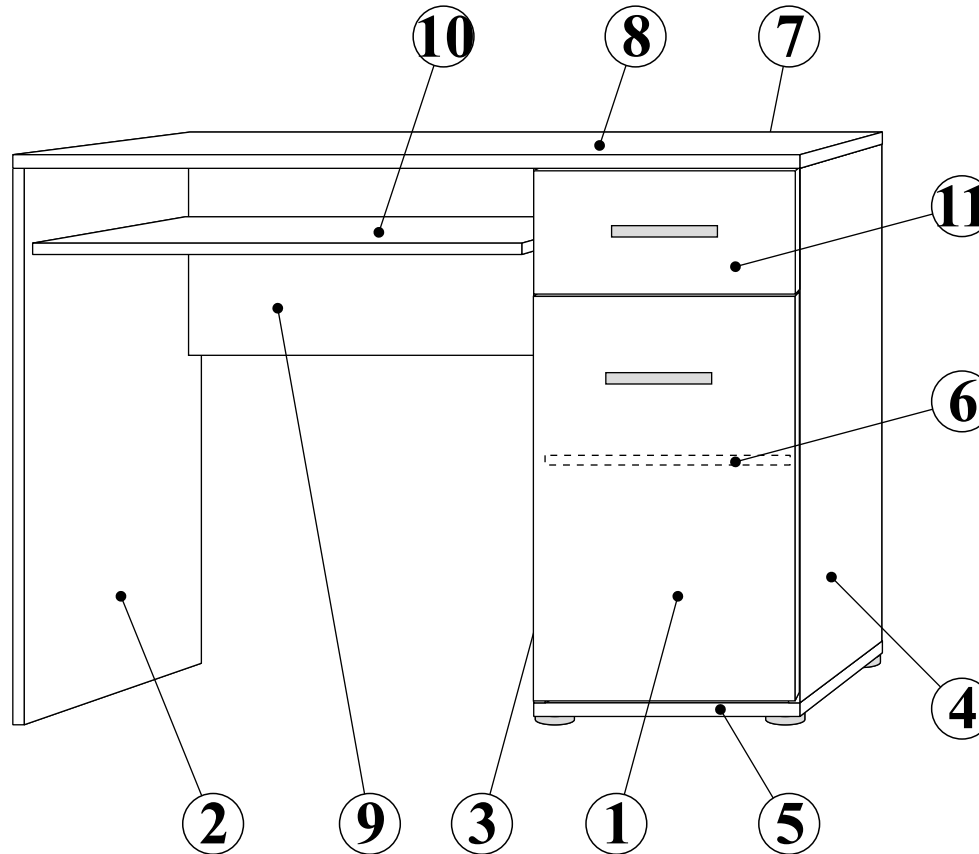
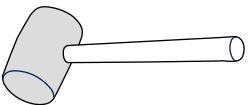
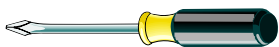
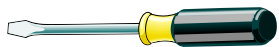
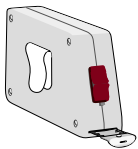
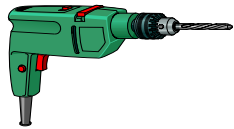
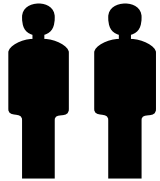





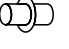
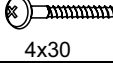

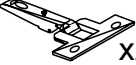
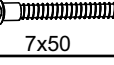

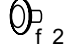


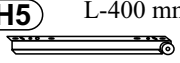

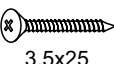


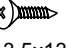



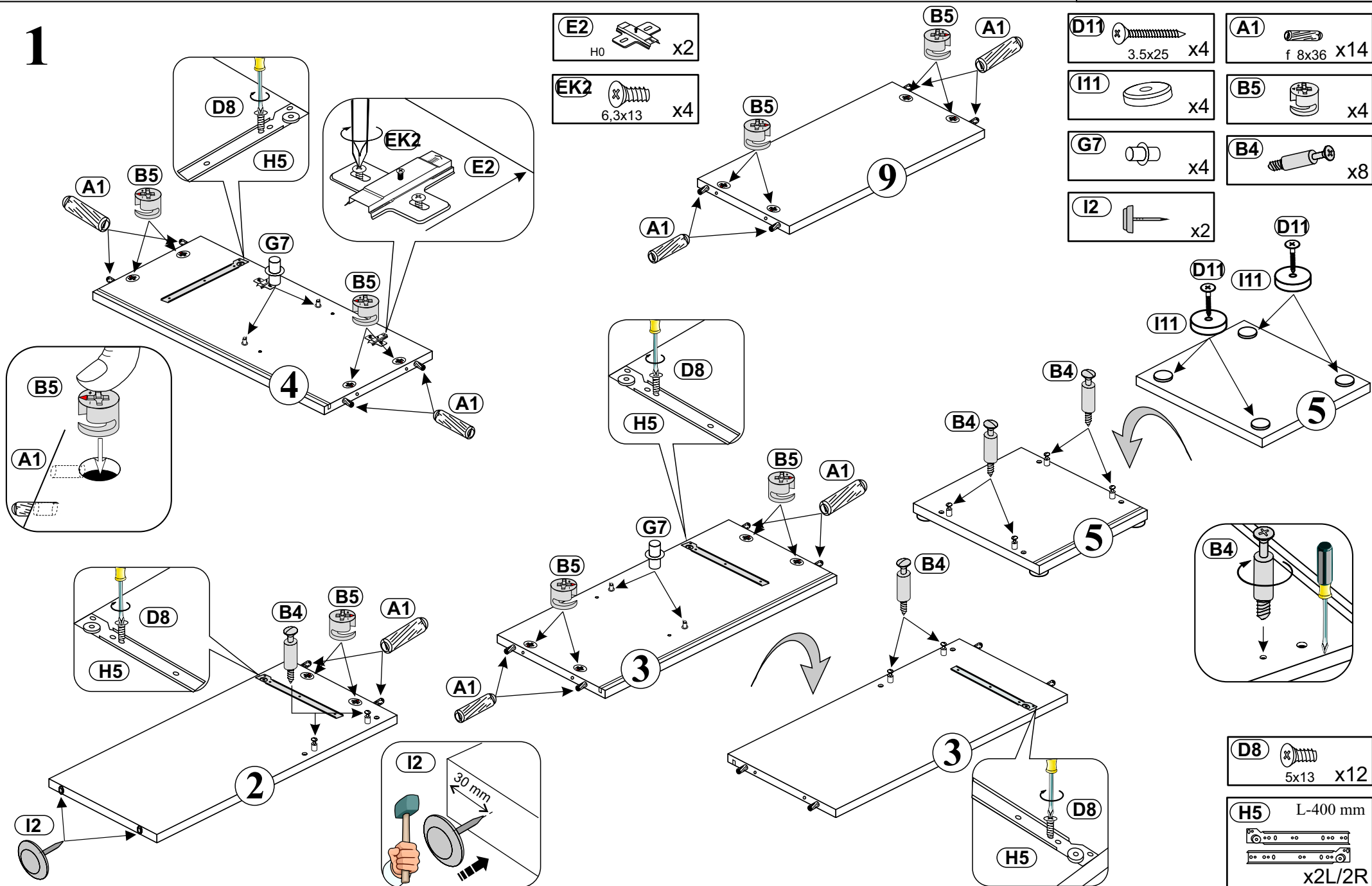
EMIO 6

1/5



- A1**  f 8x36 x18
- B5**  x16
- B4**  x16
- G5**  #15 x16
- UL2**  L-128 x2
- G7**  x4
- UP6**  4x30 x4
- S1**  x4
- E1**  Kr0 x2
- B11**  7x50 x2
- E2**  H0 x2
- I1**  f 2 x2
- EK2**  6,3x13 x4
- I2**  x2
- H5**  L-400 mm x2L/2R
- B3**  x12
- D11**  3,5x25 x4
- D8**  5x13 x12
- I11**  x4
- D10**  3,5x13 x16
- G2**  S-4 x1

1



E2 H0 x2

EK2 6,3x13 x4

D11 3.5x25 x4

A1 f 8x36 x14

I11 x4

B5 x4

G7 x4

B4 x8

I2 x2

D11

I11

D11

I11

B4

B4

B4

B4

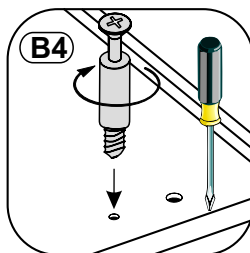
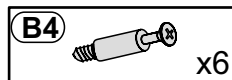
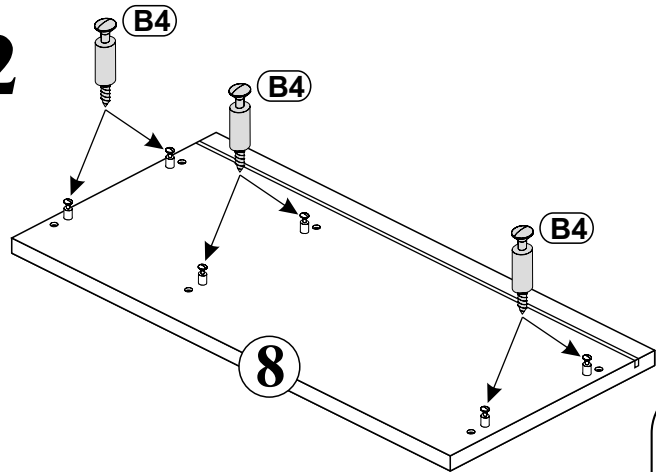
B4

D8 5x13 x12

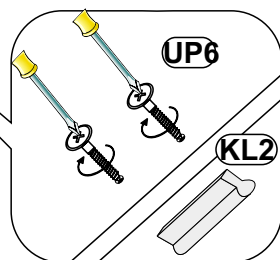
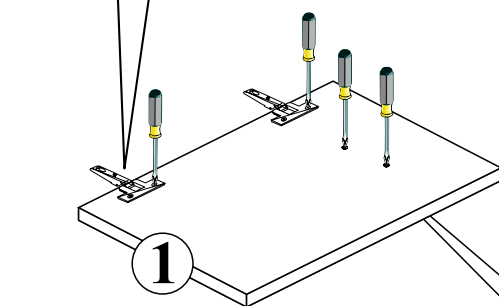
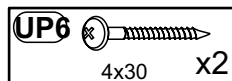
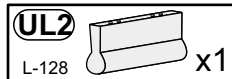
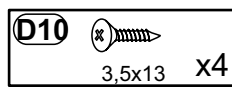
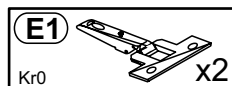
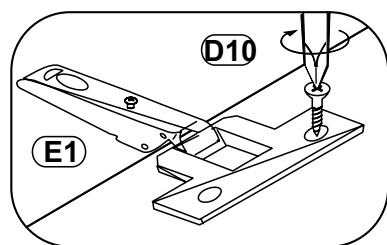
H5 L-400 mm

x2L/2R

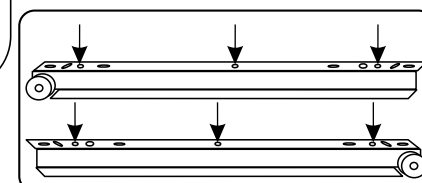
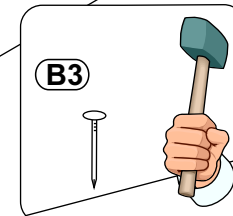
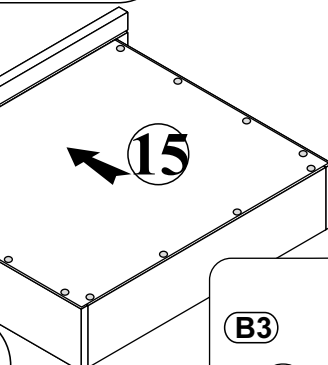
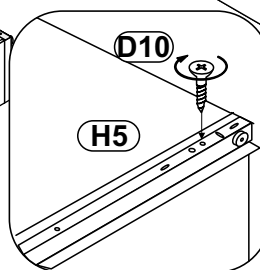
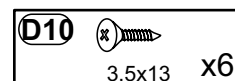
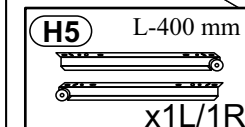
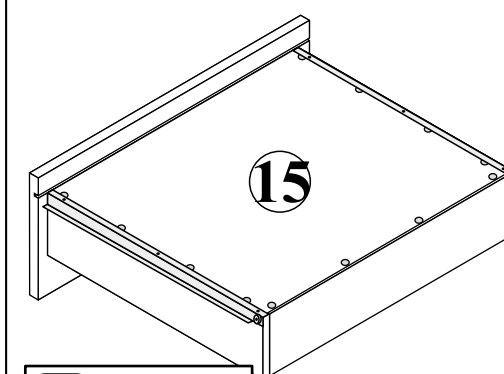
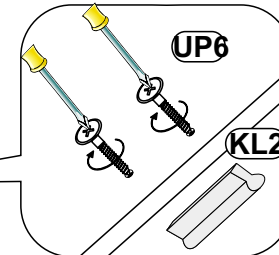
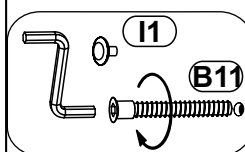
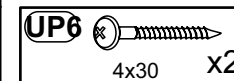
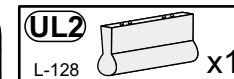
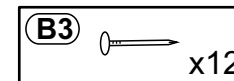
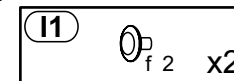
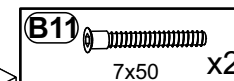
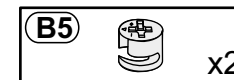
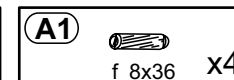
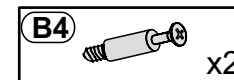
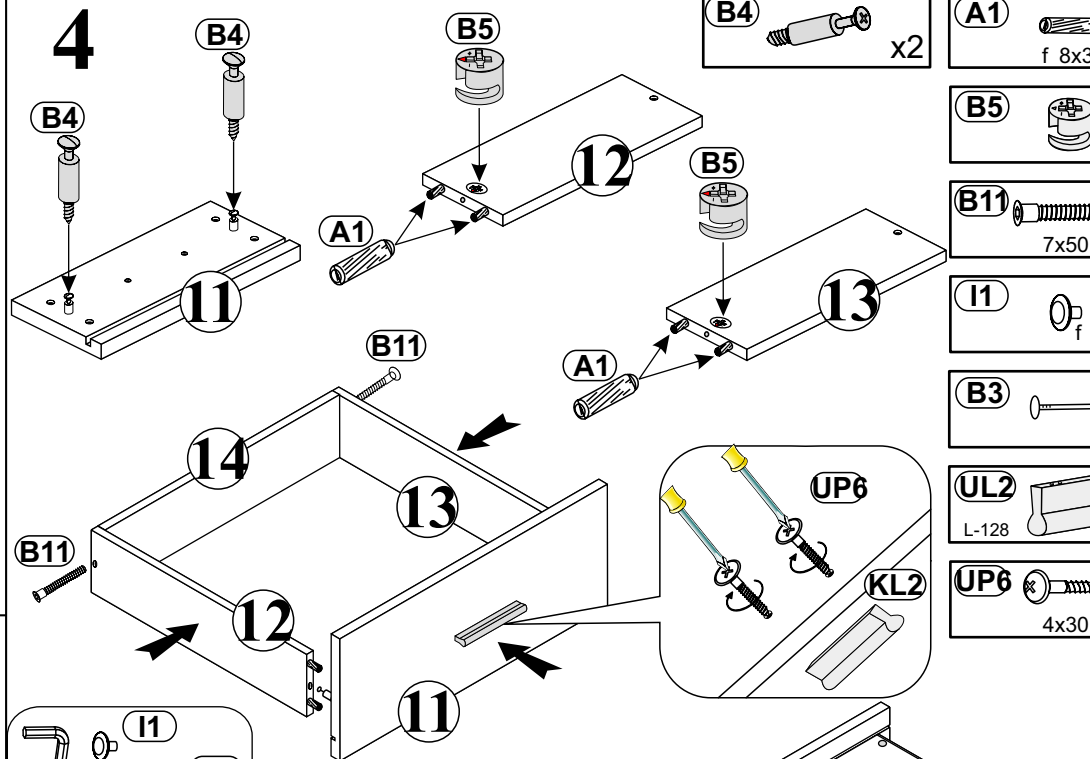
2



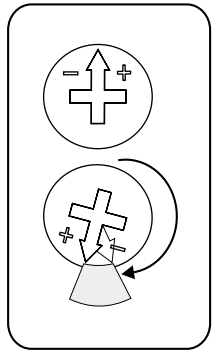
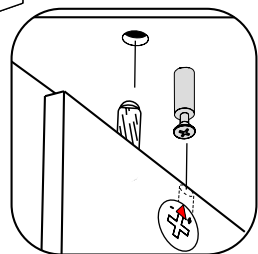
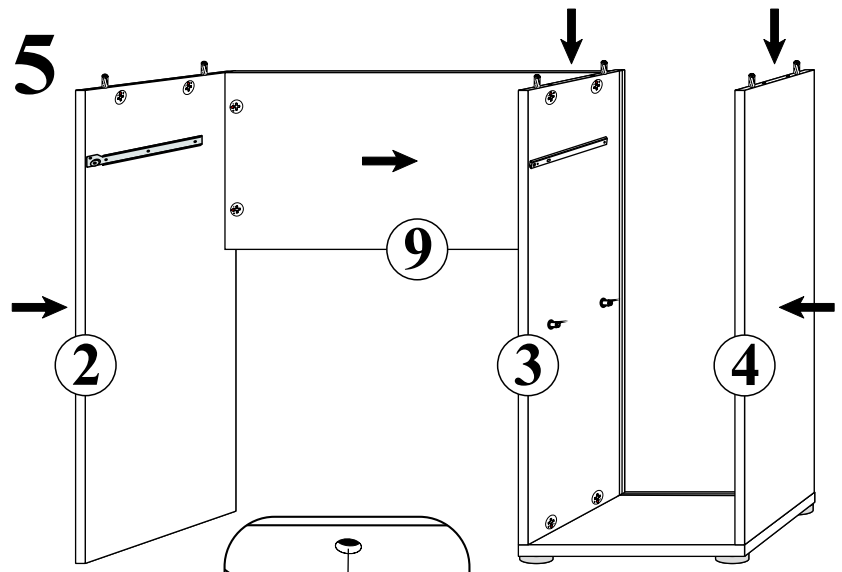
3



4



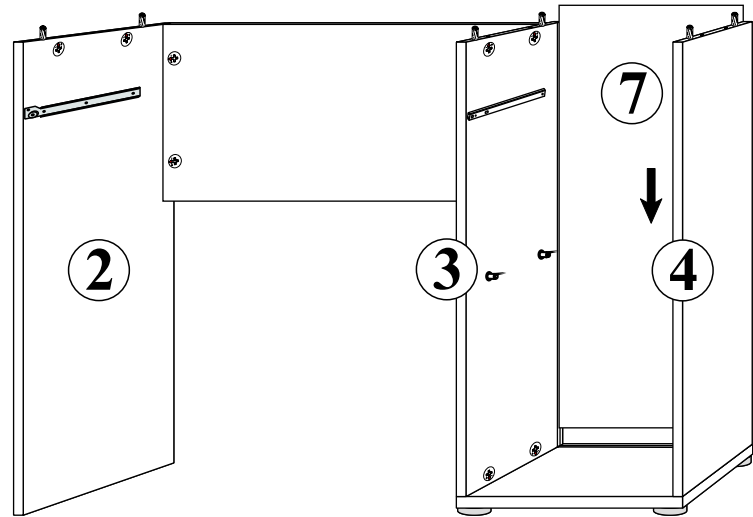
5



8



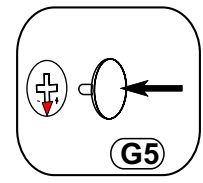
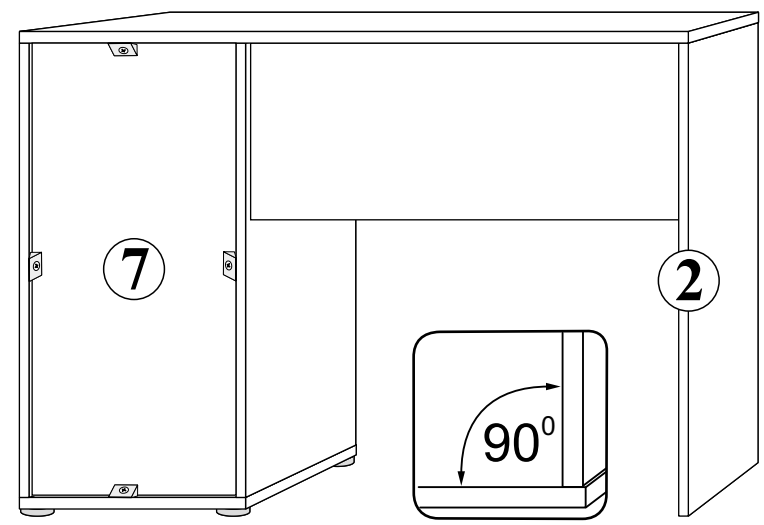
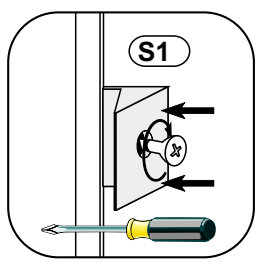
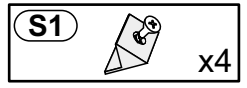
2



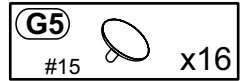
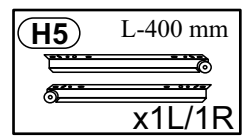
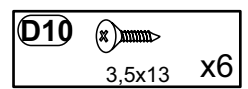
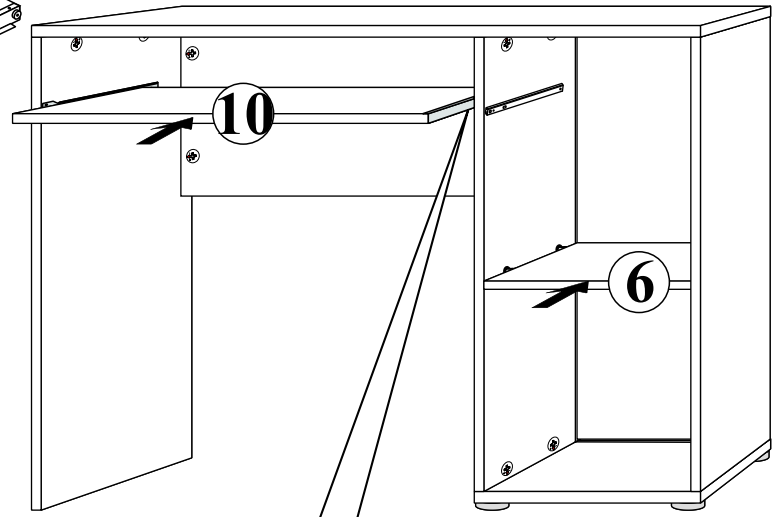
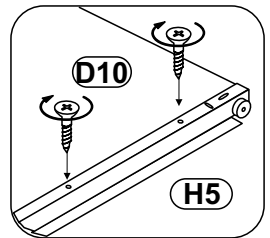
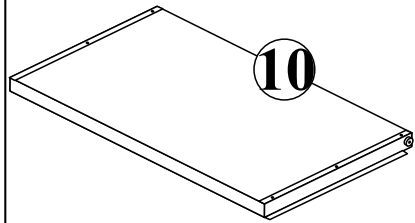
7

4

6



10



7

