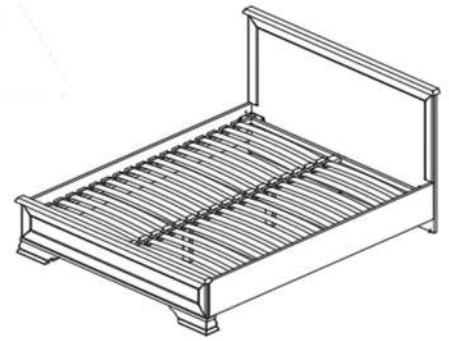


KENTAK 140x200/160x200/180x200

140x200

A	B	C	D
1	S320-068	1450	773
2	S320-067	1450	257
3	S320-265N	1490	70
4	S320-266	1462	77
5	S320-282N	1490	70
6	S320-435	2000	255
7	S320-443	2000	255
8	S320-4429	1400	80
9	S320-512	350	112



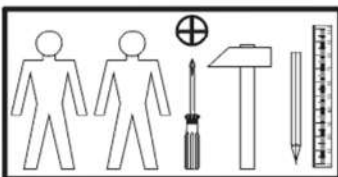
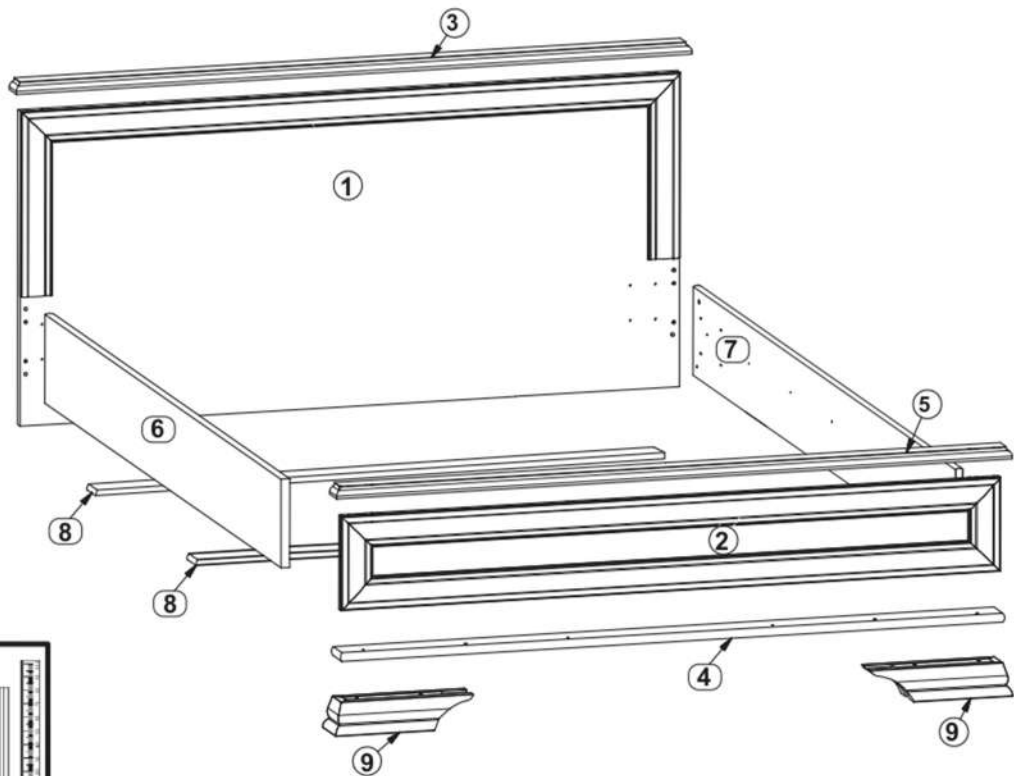
160x200

A	B	C	D
1	S320-064	1650	977
2	S320-065	1650	257
3	S320-274N	1690	70
4	S320-275	1662	77
5	S320-283N	1690	70
6	S320-435	2000	255
7	S320-443	2000	255
8	S320-444	1600	80
9	S320-512	350	112



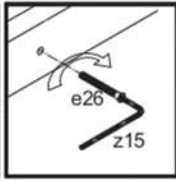
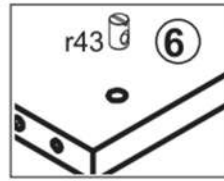
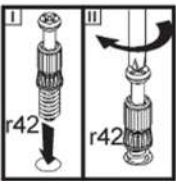
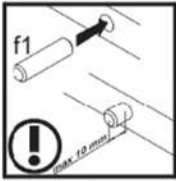
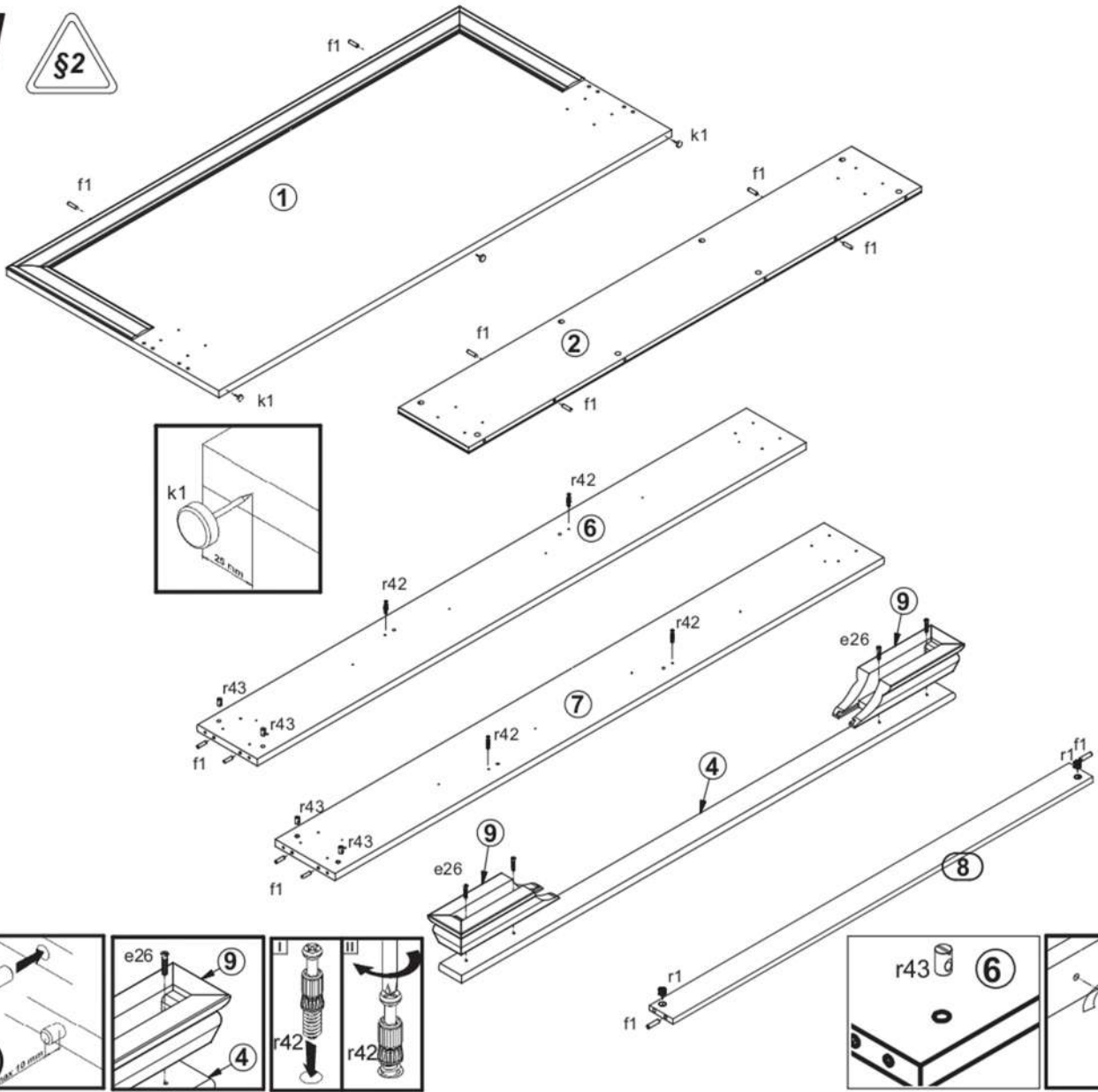
180x200

A	B	C	D
1	S320-0072N	1850	977
2	S320-0071N	1850	257
3	S320-284N	1890	70
4	S320-286	1862	77
5	S320-285N	1890	70
6	S320-435	2000	255
7	S320-443	2000	255
8	S320-4430	1800	80
9	S320-512	350	112

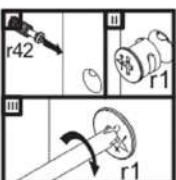
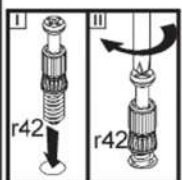
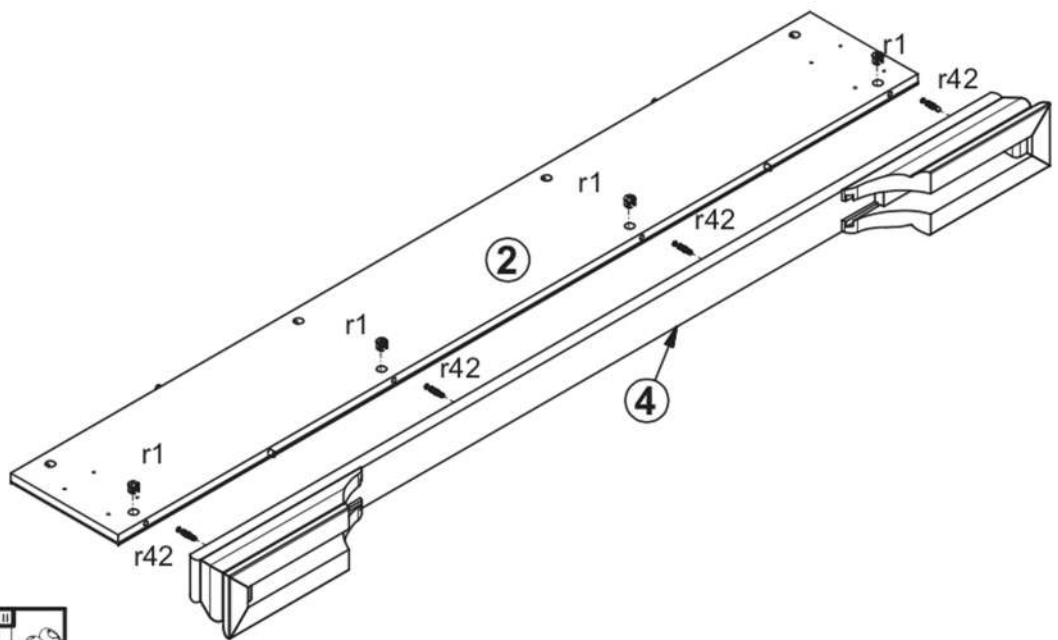


14x ø8x30 mm f1	4x M6x84 mm j117	4x ø7x35 mm e26	4x 115x115x122 mm n106	16x ø15x12mm #16 r1	16x r42	4x ø10x10mm r43	1x 4mm z15
3x k1	4x ø15 s2	32x x16 mm e7					

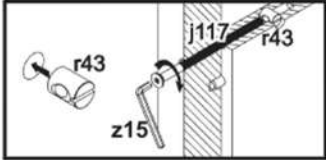
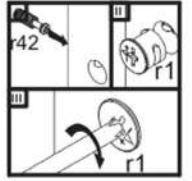
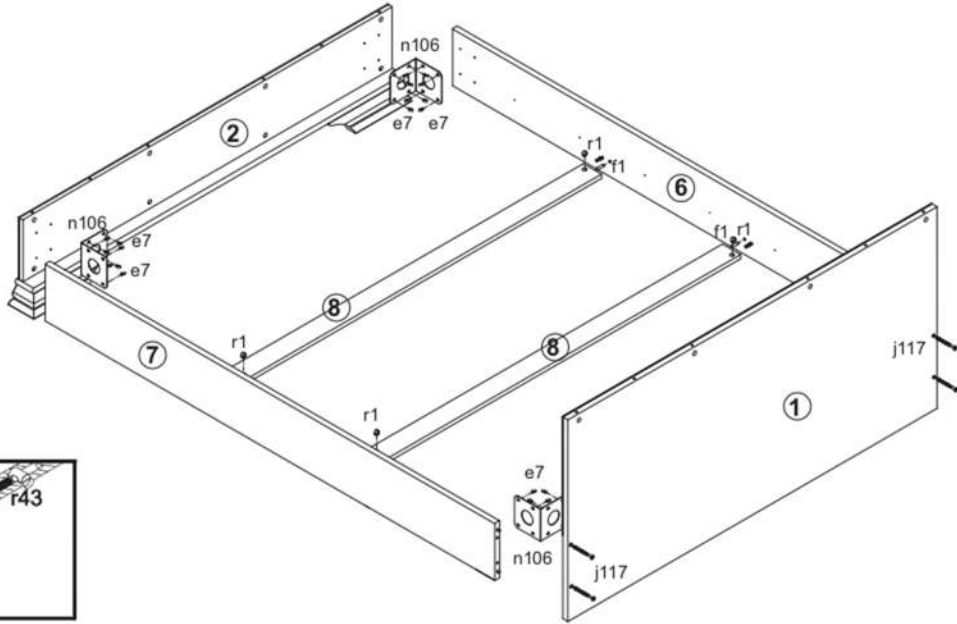
1



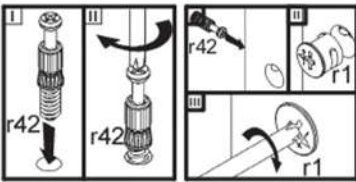
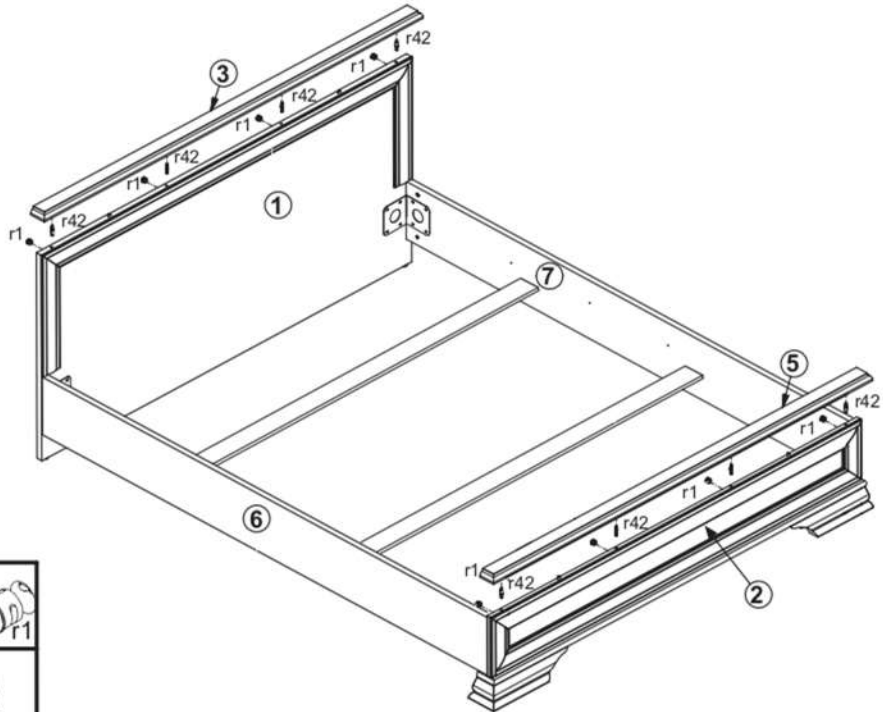
2



3



4



5

