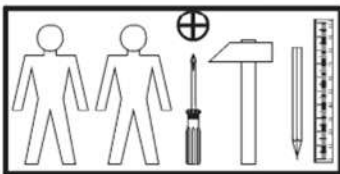
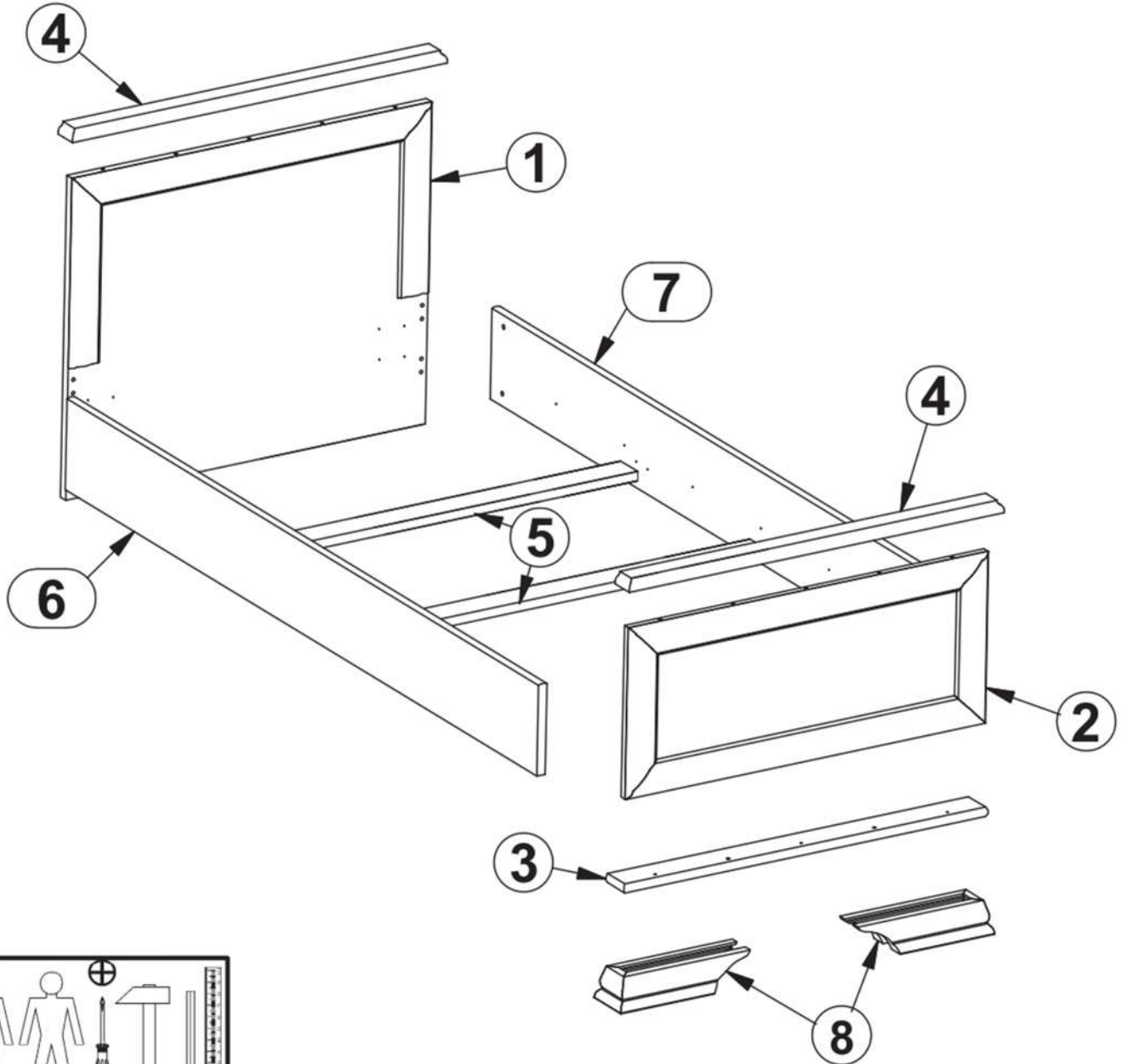
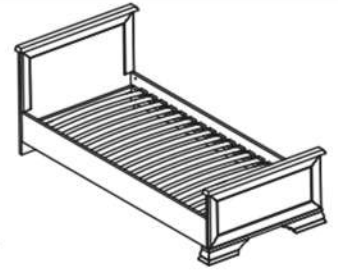


KENTAK

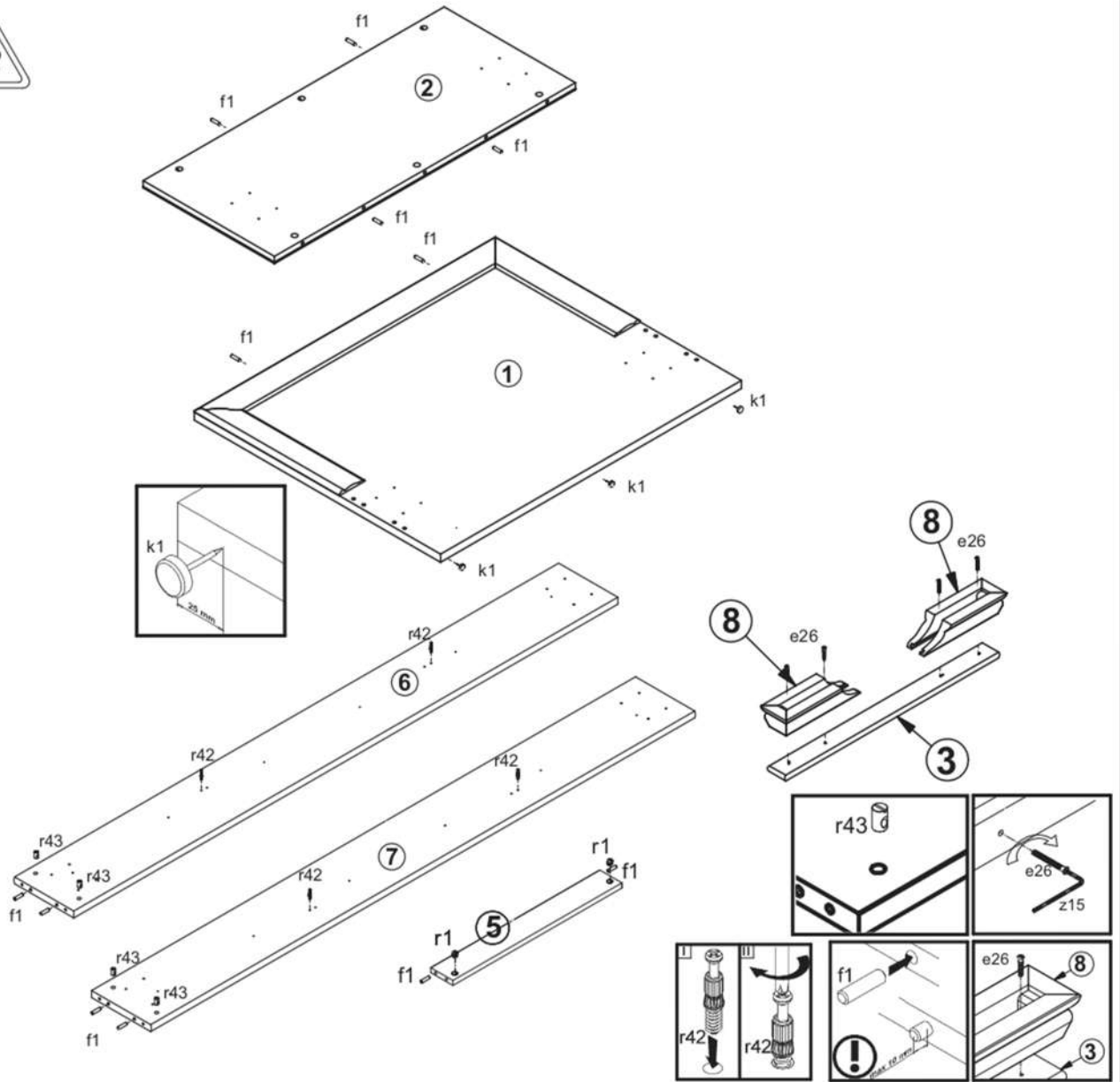
90x200

A	B	C	D	
1	S320-066	950	773	2/6
2	S320-063	950	412	1/6
3	S320-277	962	77	3/6
4	S320-278N	990	60	3/6
5	S320-442	900	80	4/6
6	S320-451	2000	220	4/6
7	S320-452	2000	220	4/6
8	S320-512	350	112	5/6

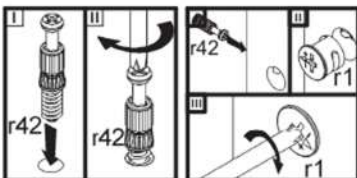
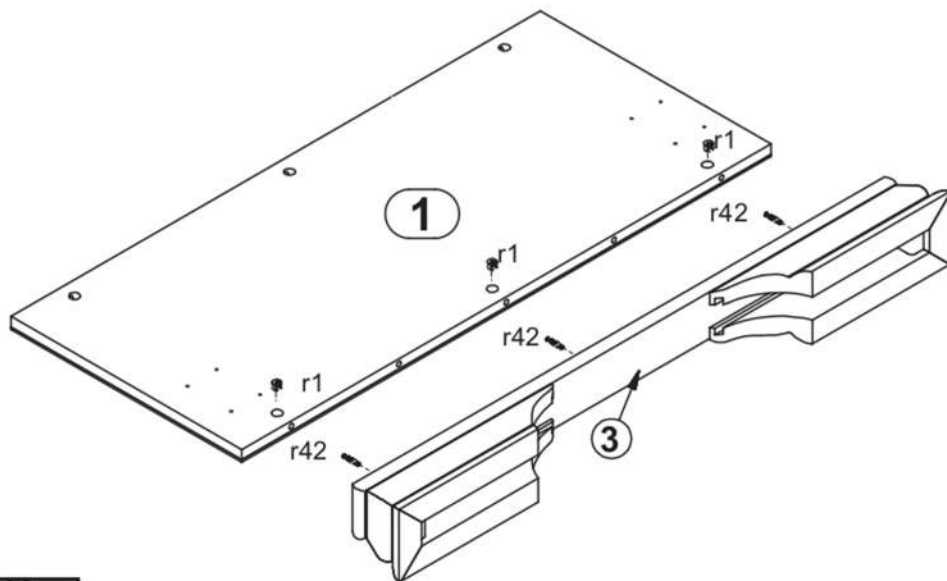


32x x16 mm e7	14x φ8x30 mm f1	4x M6x8-4 mm j117	4x φ7x35 mm e26	4x 115x115x122 mm n106	4x φ12x16mm r43	13x φ15x12mm #16 r1	13x r42
1x 4mm z15	3x k1	3x φ16 s2					

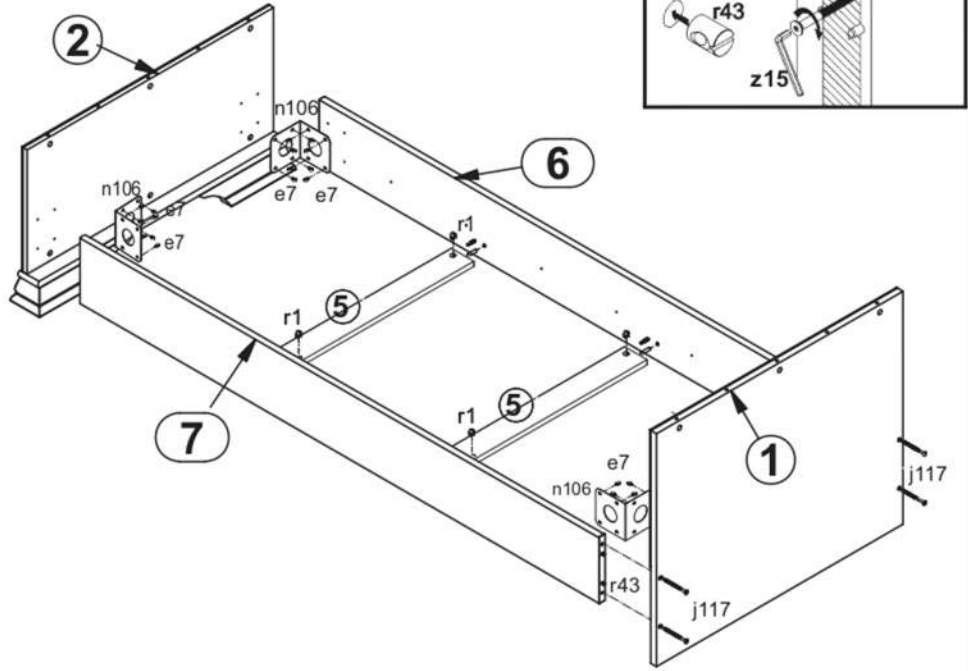
1



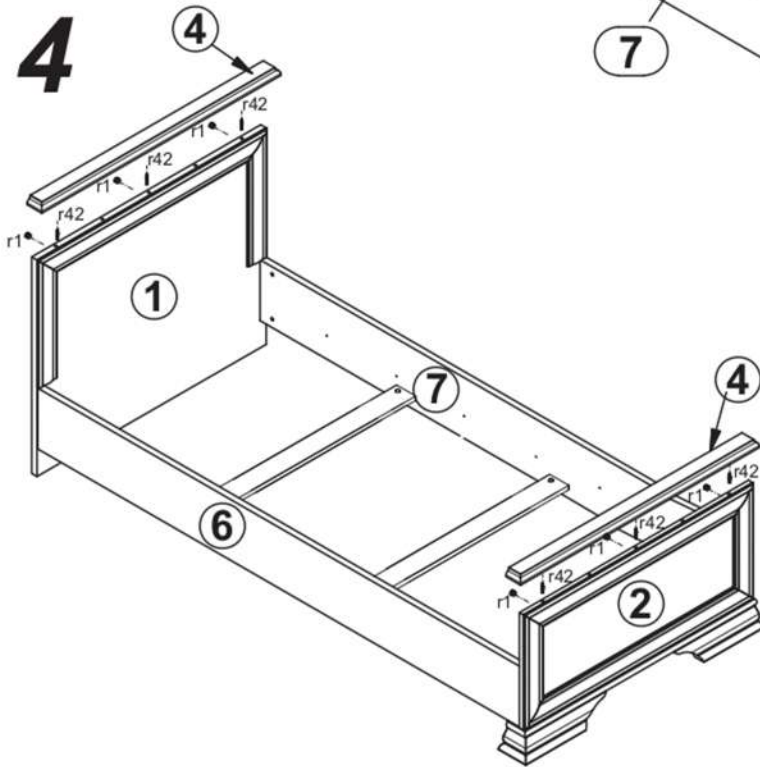
2



3



4



5

