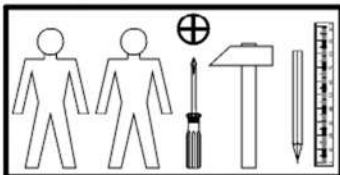
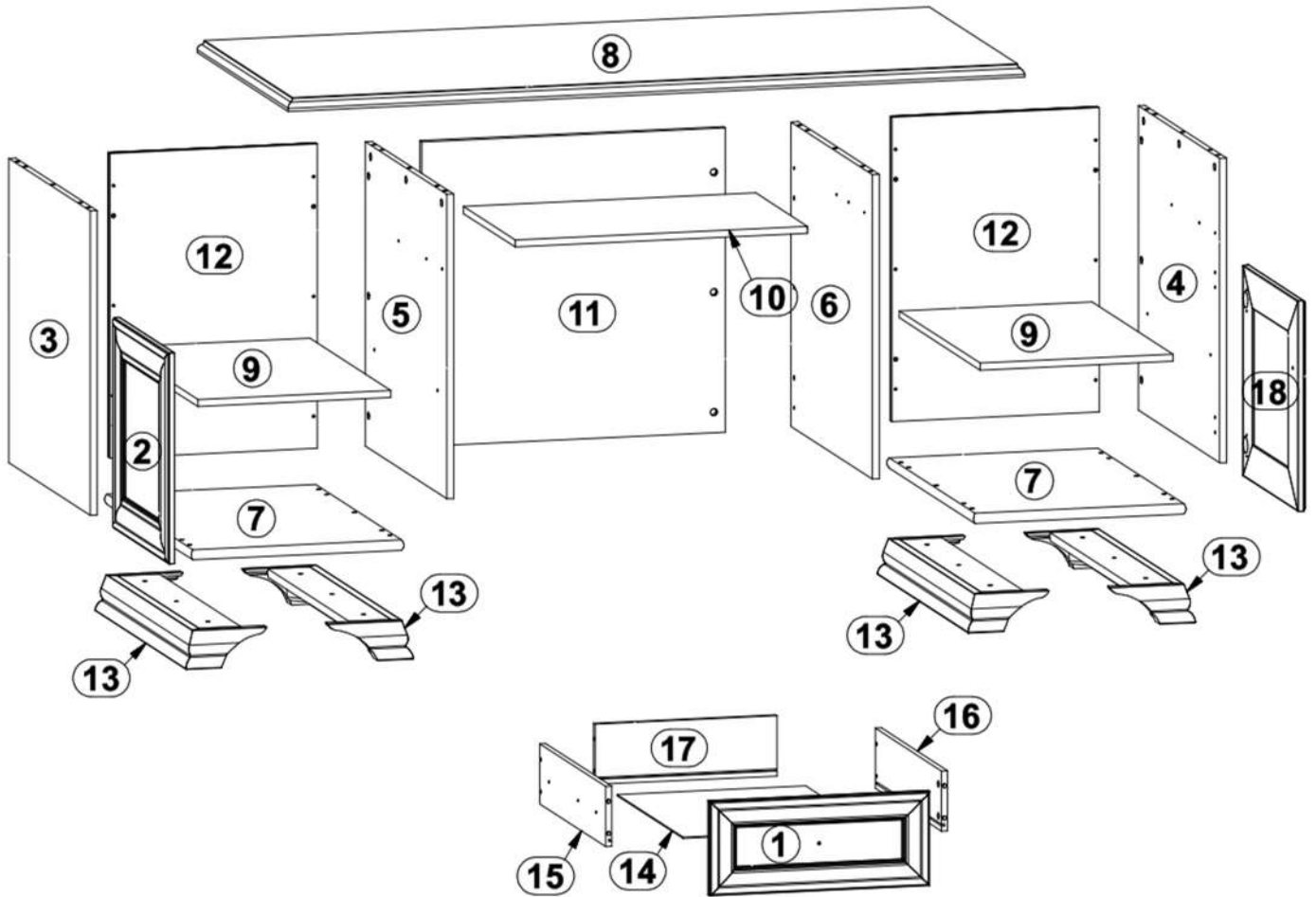
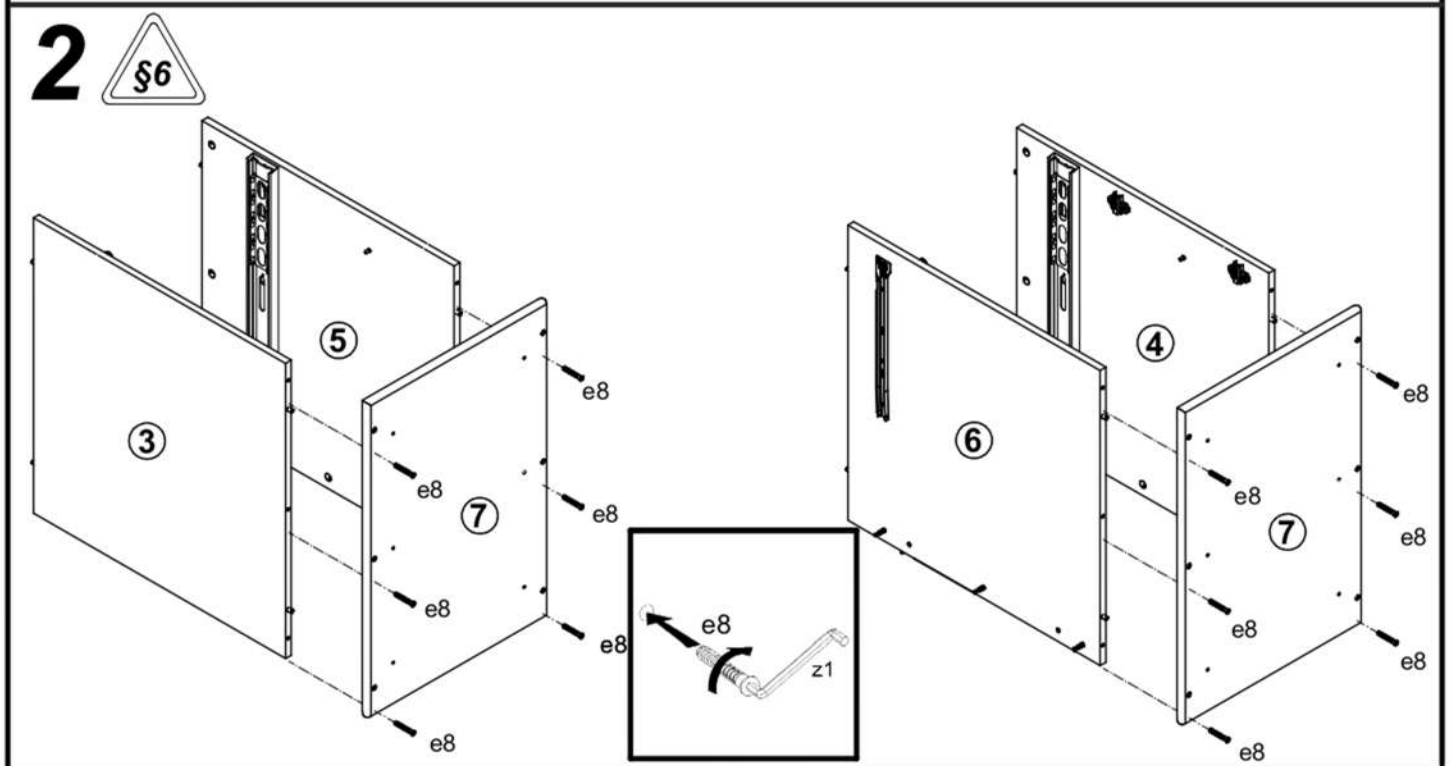
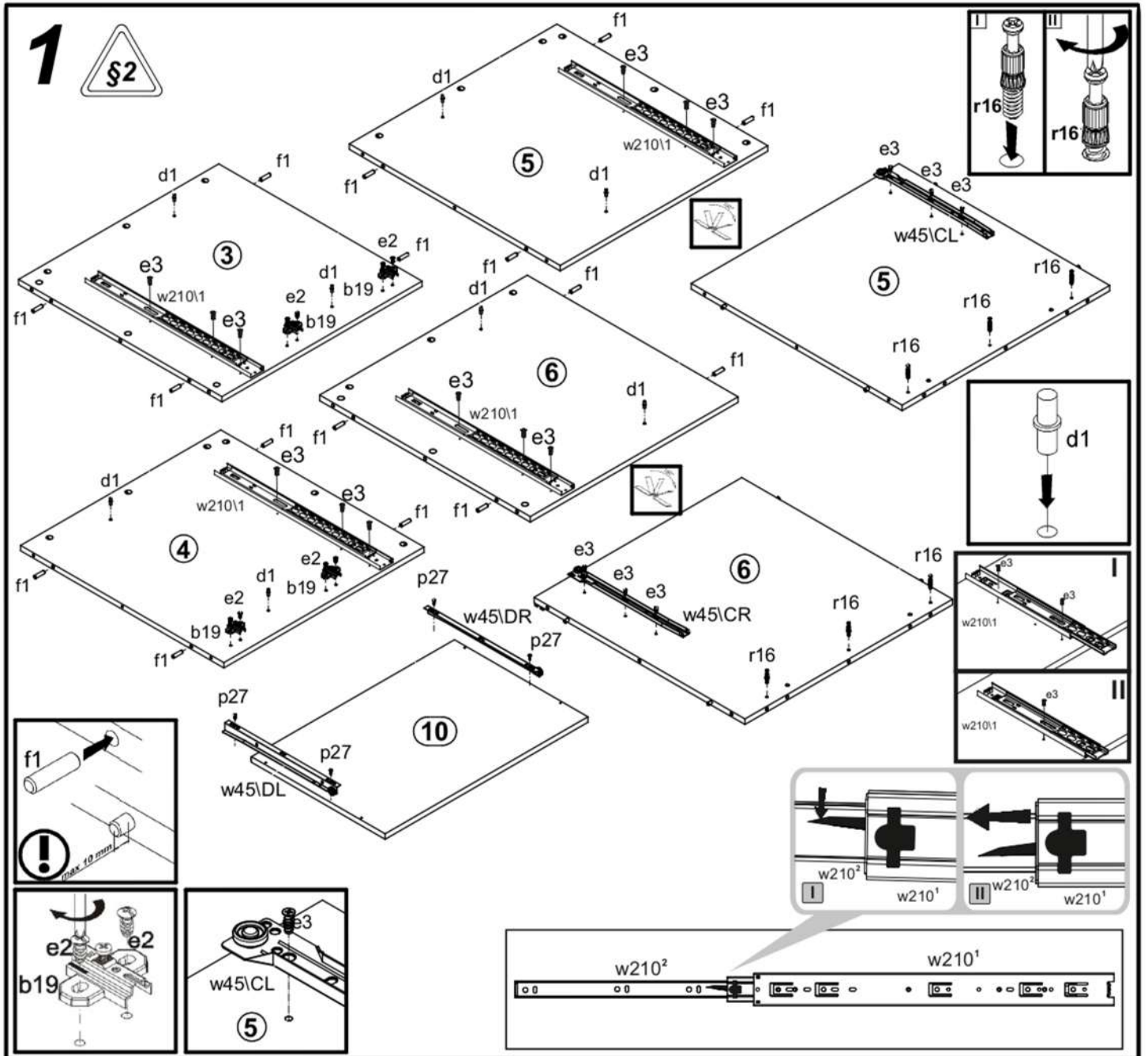


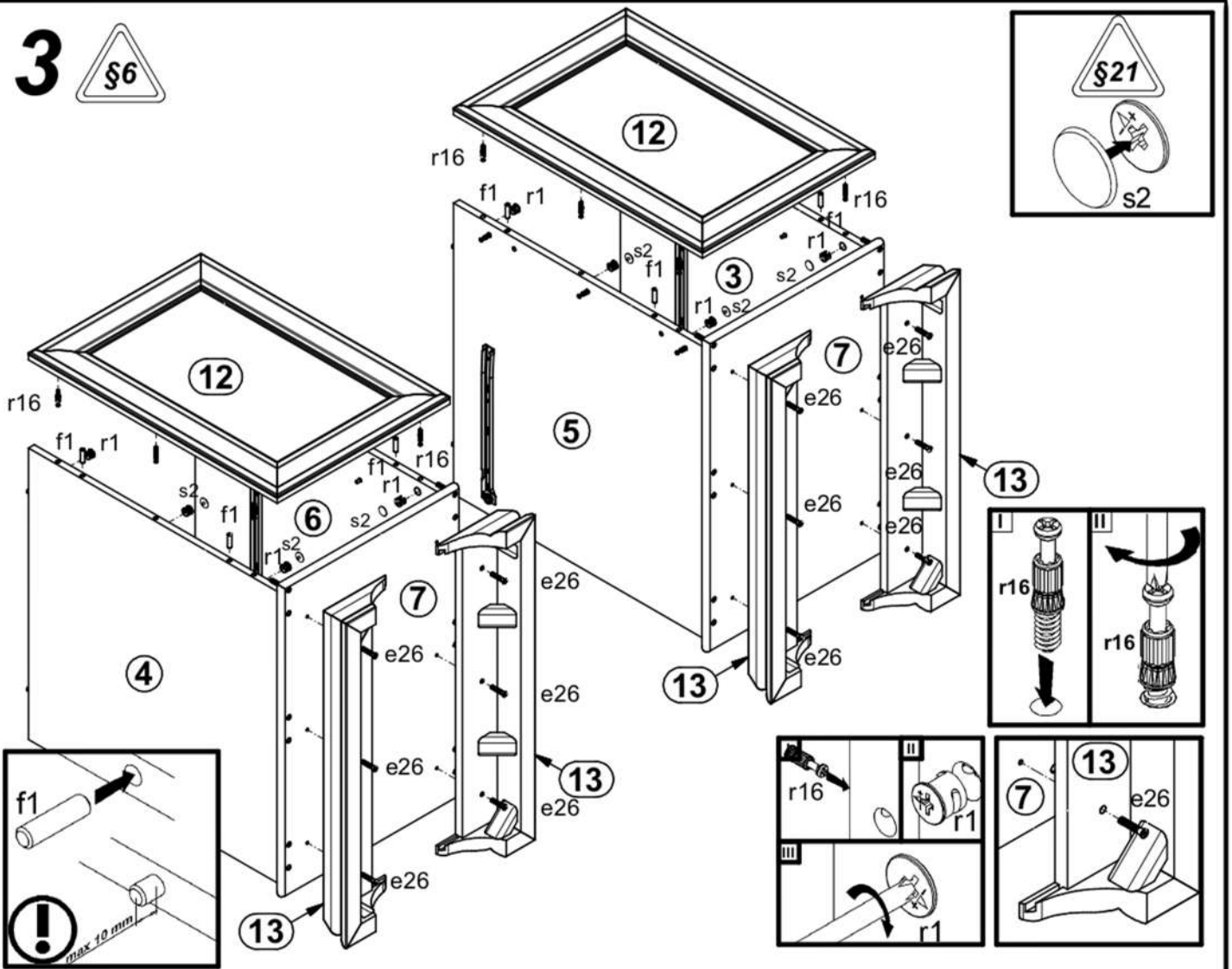
A	B	C	D	A	B	C	D		
1	S320-0011N	446	188	6/6	10	S320-311	631	420	1/6
2	S320-0010	450	446	6/6	11	S320-404	656	650	4/6
3	S320-111N	650	660	1/6	12	S320-4405	650	452	4/6
4	S320-112N	650	660	1/6	13	S320-515	736	180	5/6
5	S320-115N	650	660	1/6	14	S320-909N	377	498	3/6
6	S320-116N	650	660	1/6	15	S320-565N	500	120	3/6
7	S320-211	464	704	3/6	16	S320-566N	500	120	3/6
8	S320-2212N	1600	738	2/6	17	S320-5548N	362	120	3/6
9	S320-310	419	656	1/6	18	S320-0030	450	446	6/6



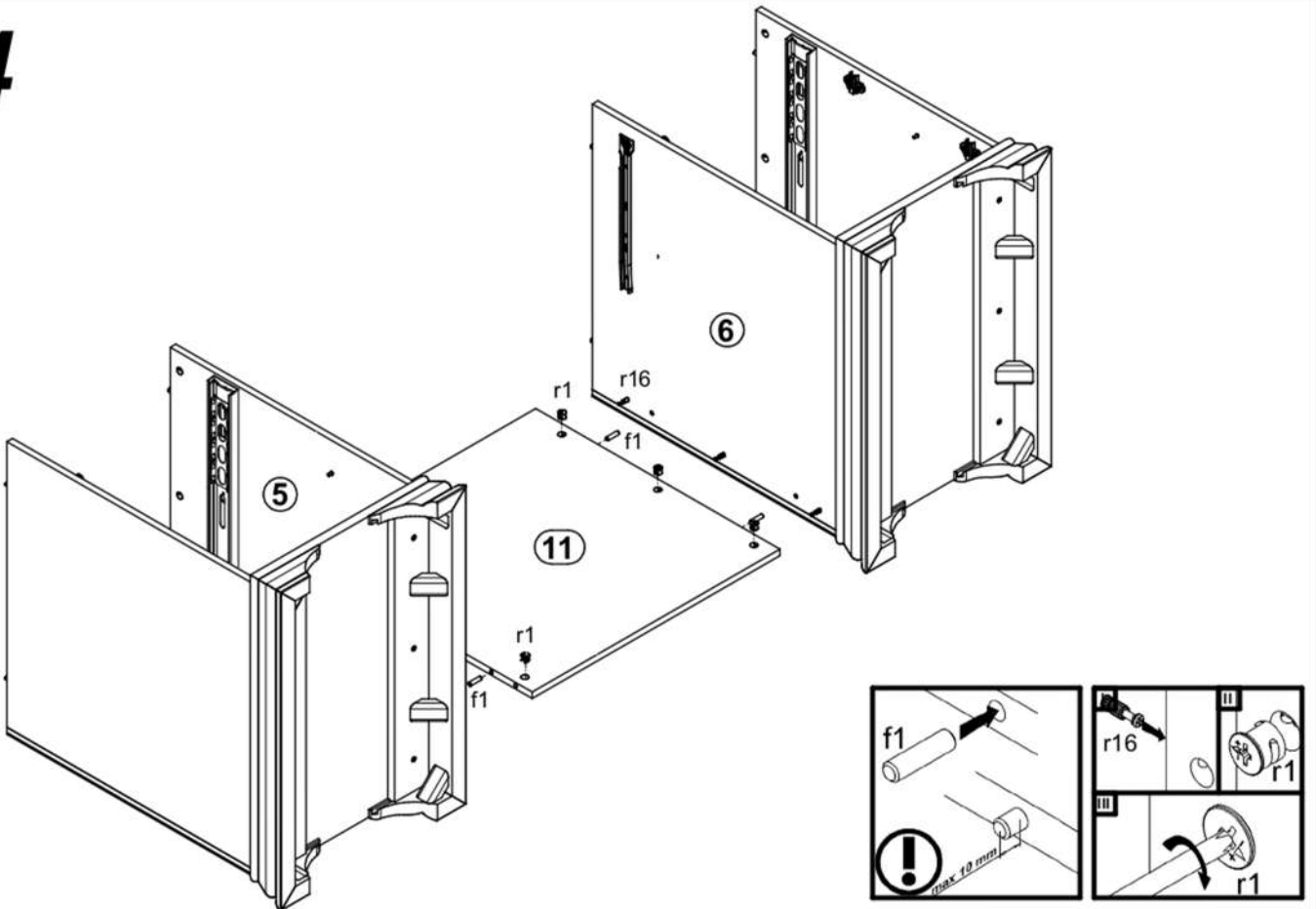
4x a44	4x b19	4x c35\1	4x c35\2	8x d1	12x e8	18x e3	32x f1	12x e26
8x f25	16x p140	8x e2	4x p27	38x r16	26x s2	2x j59	2x j6	1x z1
4x w210\1	4x w210\2	1x w45\CL	1x w45\CR	1x w45\DL	1x w45\DR	8x p51	38x r1	



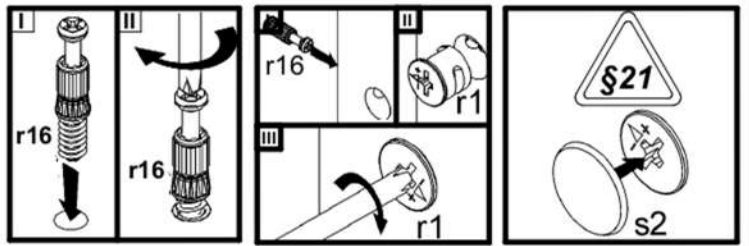
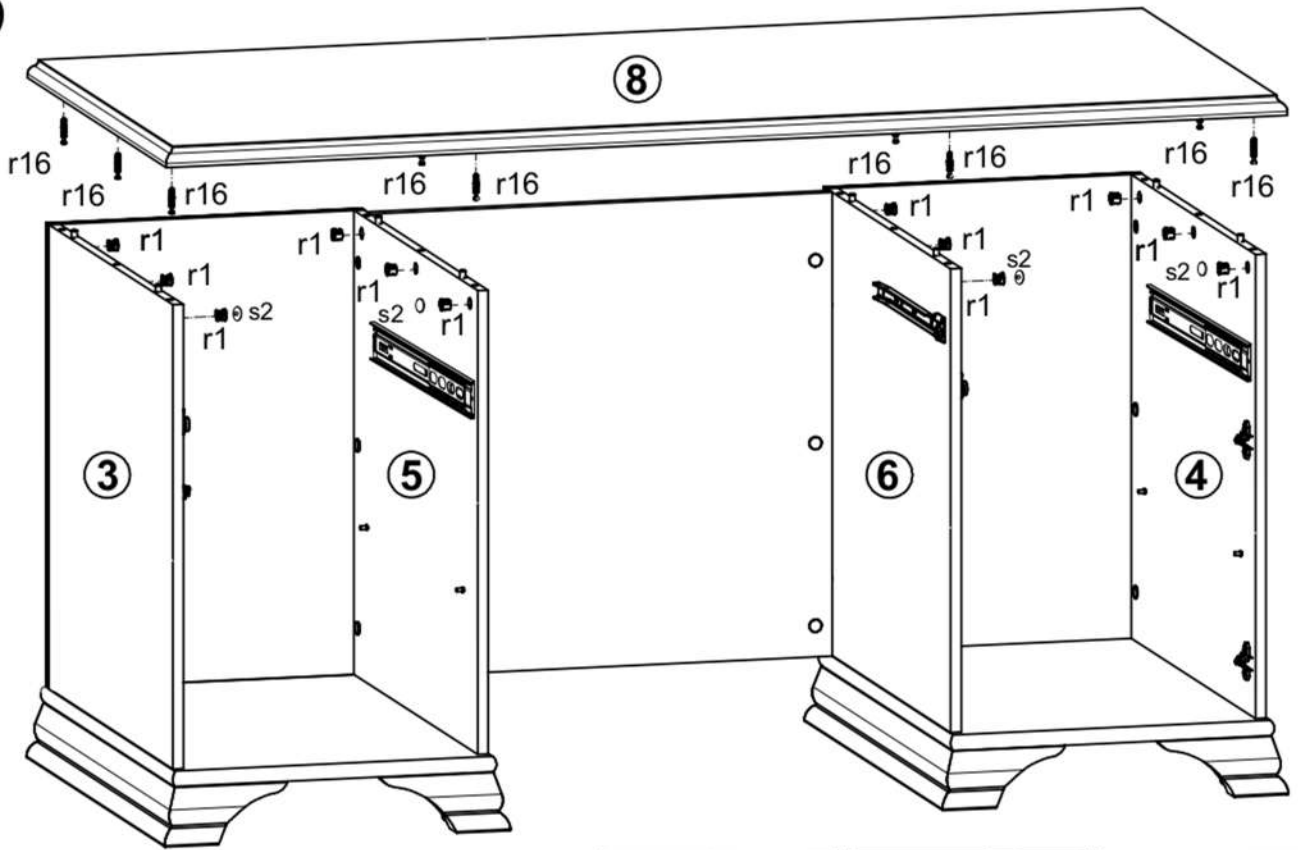
3



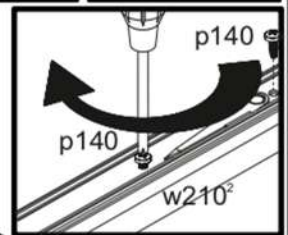
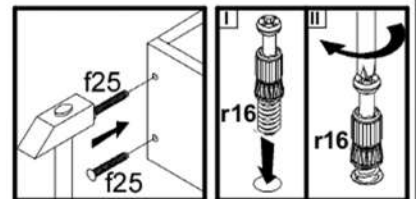
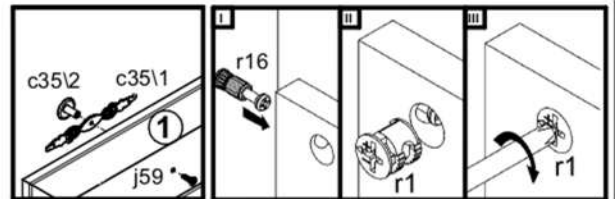
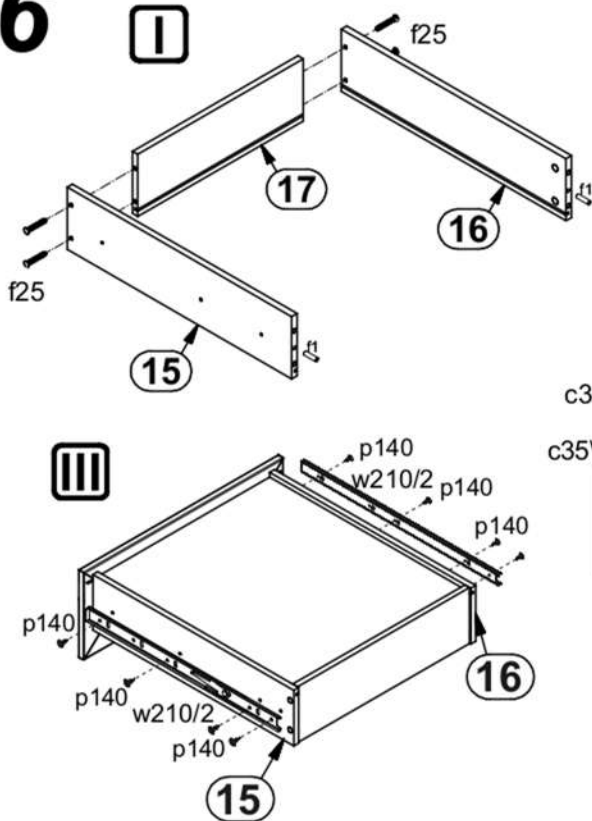
4



5



6



7

