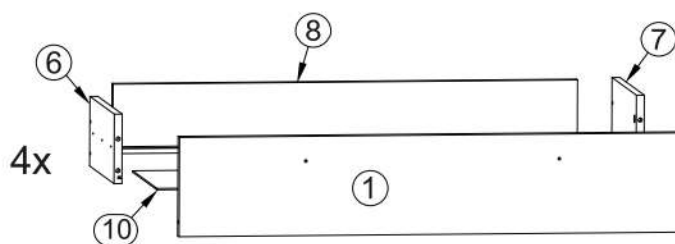
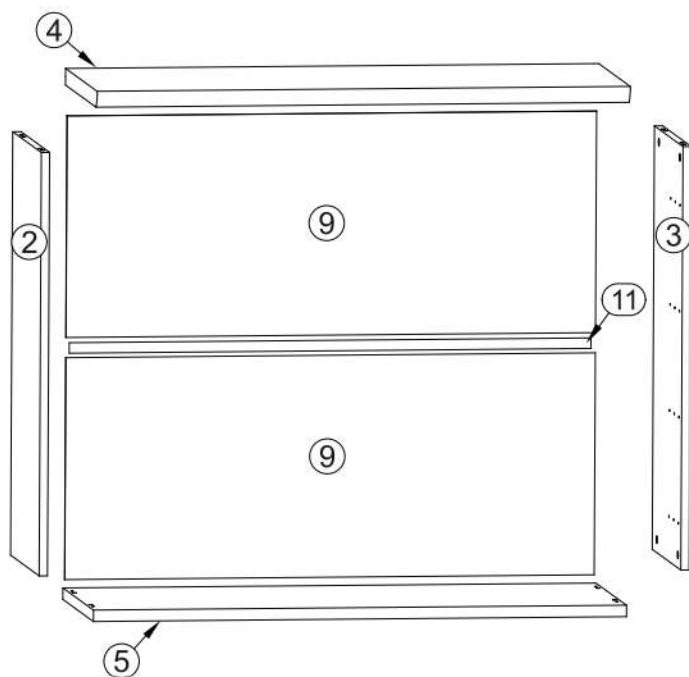
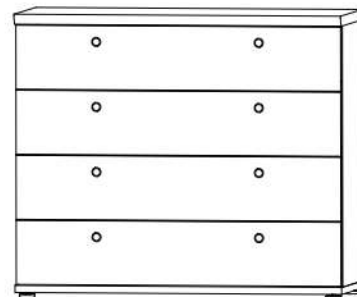
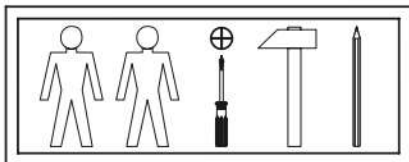
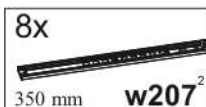
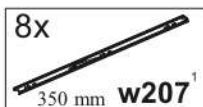
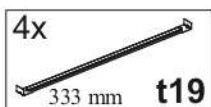
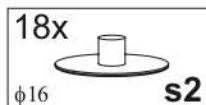
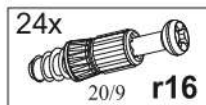
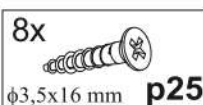
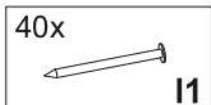
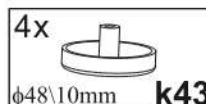
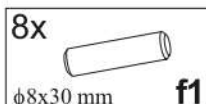
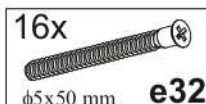
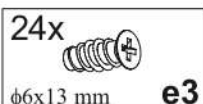


TEINA KOM4S

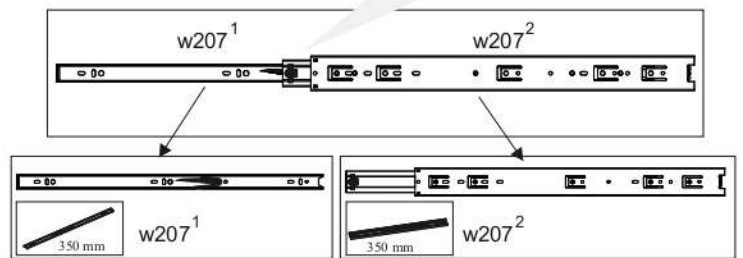
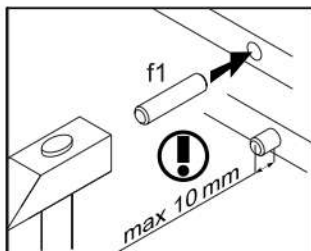
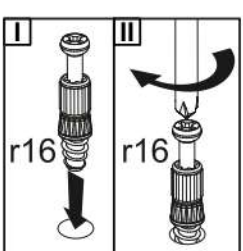
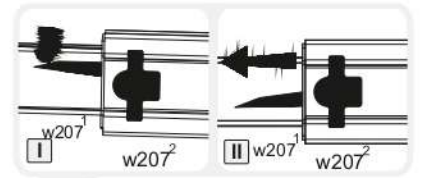
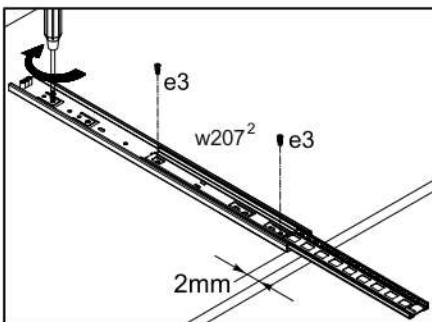
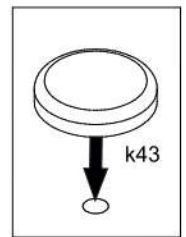
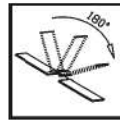
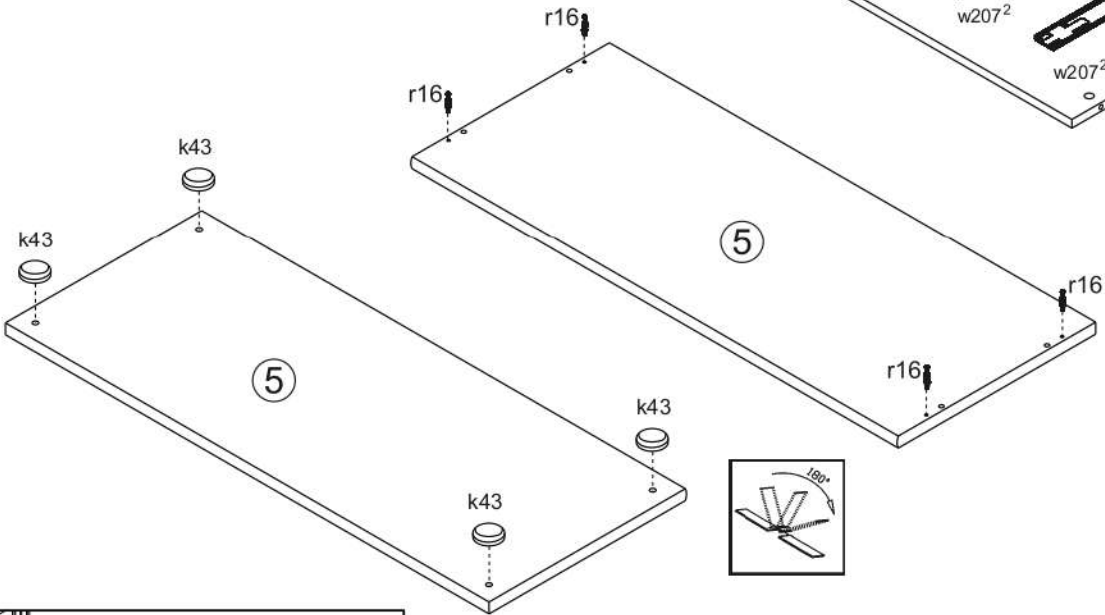
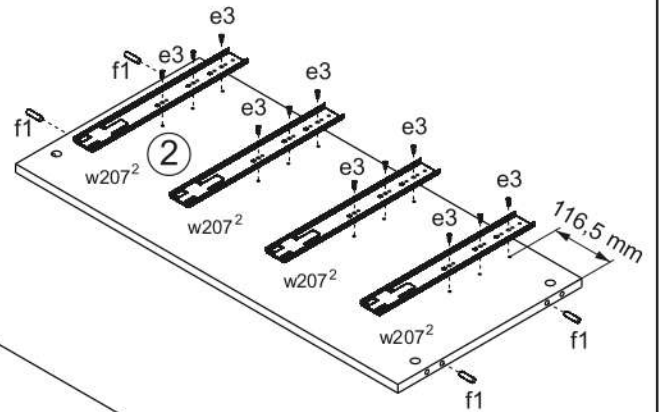
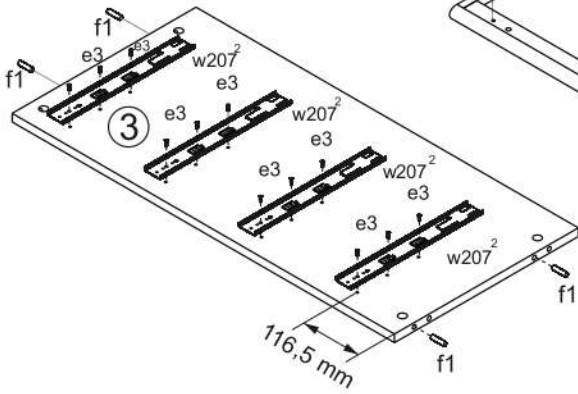
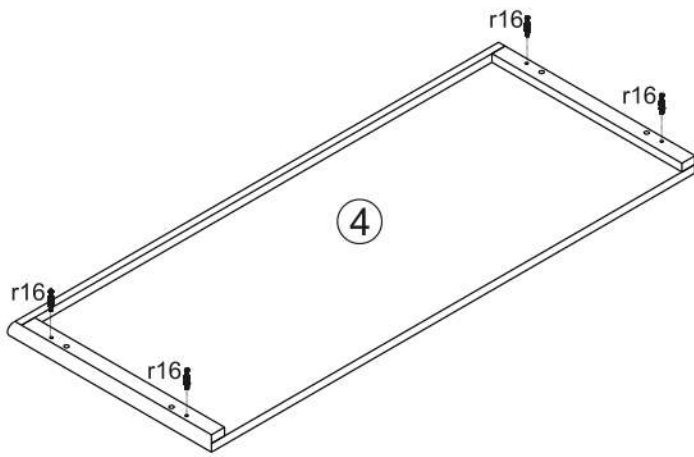


| A | B | C | D |
|---|--------------|------|-----|
| 1 | S239-0015 | 1025 | 200 |
| 2 | S239-1013-01 | 815 | 392 |
| 3 | S239-1014-01 | 815 | 392 |
| 4 | S239-2011 | 1031 | 435 |
| 5 | S239-2012 | 1031 | 421 |
| 6 | WSQ4-505-01 | 350 | 140 |

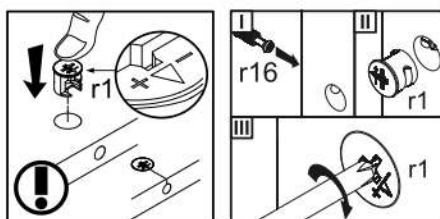
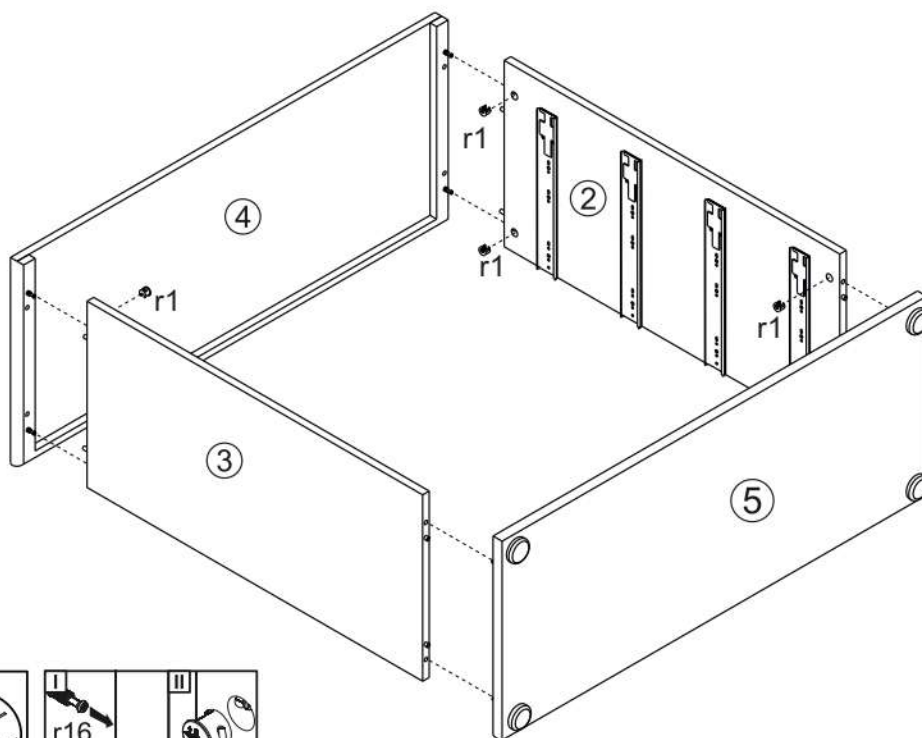
| A | B | C | D |
|----|-------------|------|-----|
| 7 | WSQ4-506-01 | 350 | 140 |
| 8 | WTQ-5071 | 940 | 140 |
| 9 | S239-9506 | 1024 | 431 |
| 10 | S239-9069 | 955 | 349 |
| 11 | LH-996 | 996 | 14 |



1 



2



3

