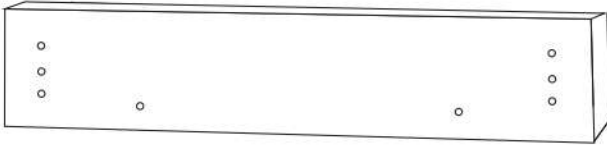


# BENY

**I 990x200(1x)**



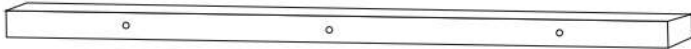
**II 902x110(2x)**



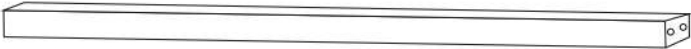
**III 990x110(1x)**



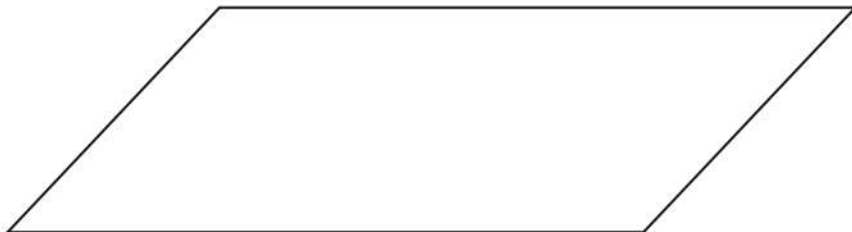
**IV 952x45(2x)**



**V 952x45 (1x)**

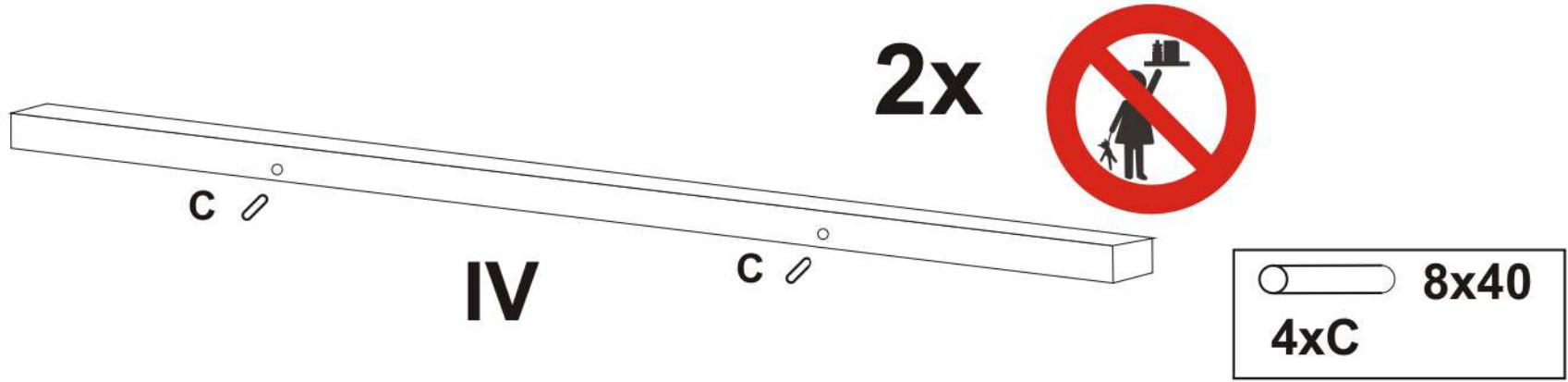


**VI 900x316 (3x)**

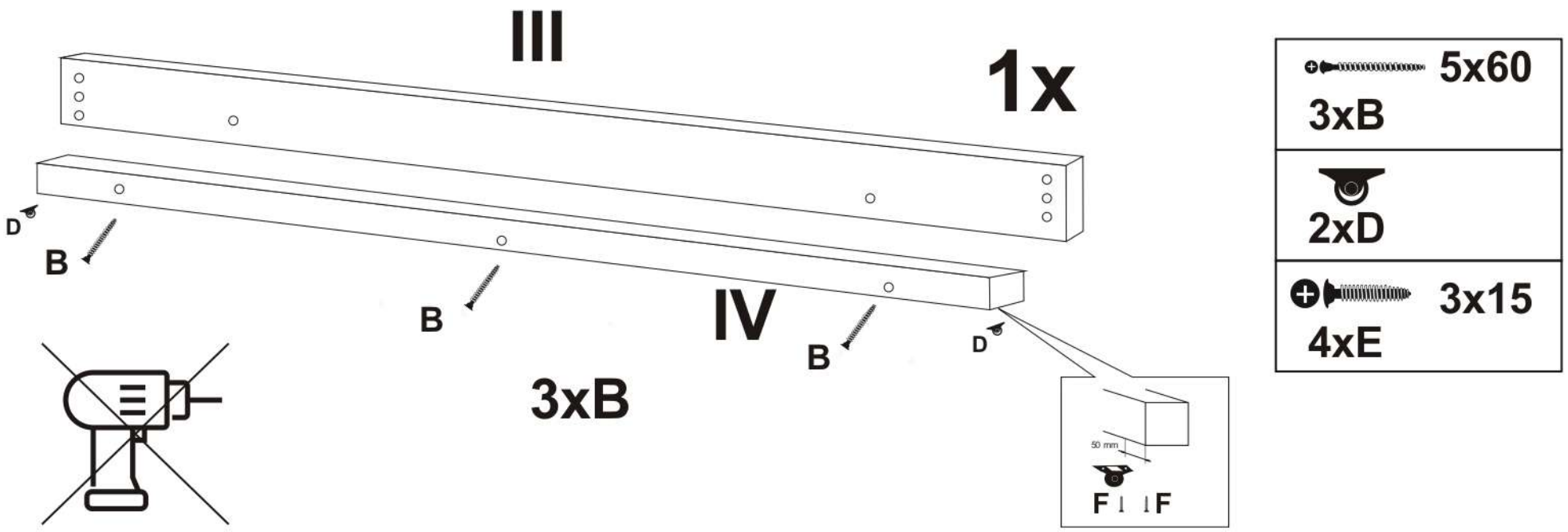


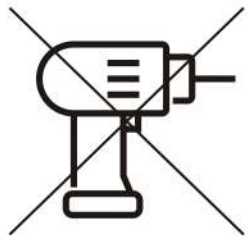
A	6x70		8
B	5x60		6
C	8x40		14
D			4
E	3x15		8
E			1

1

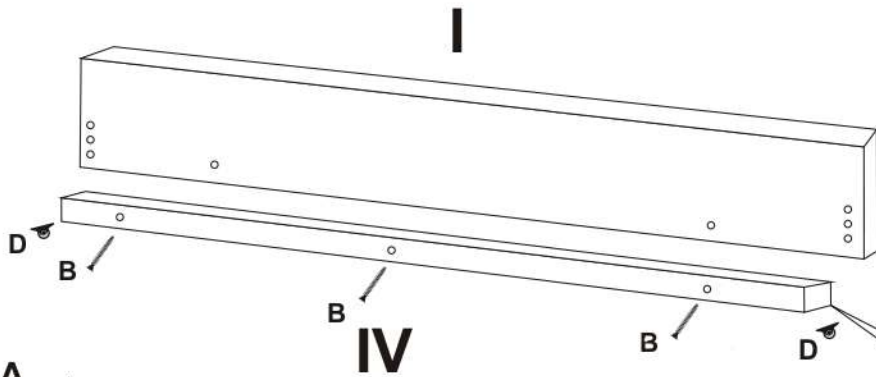


2



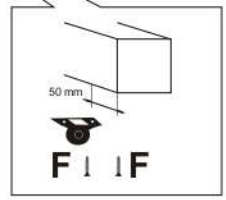
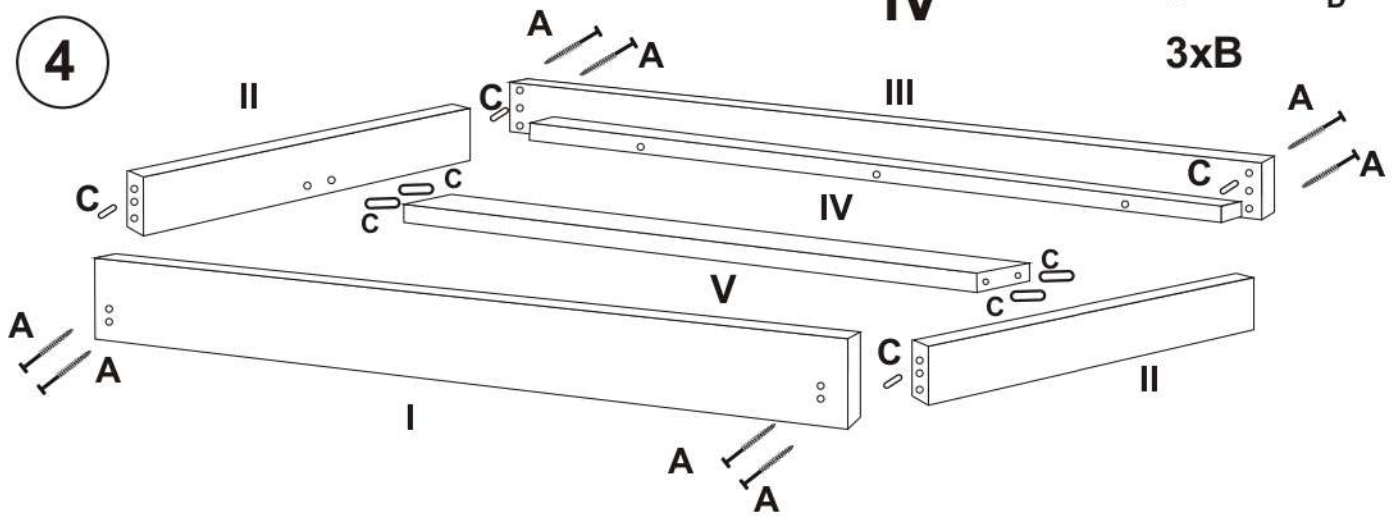


3



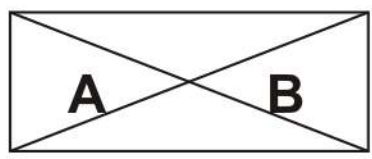
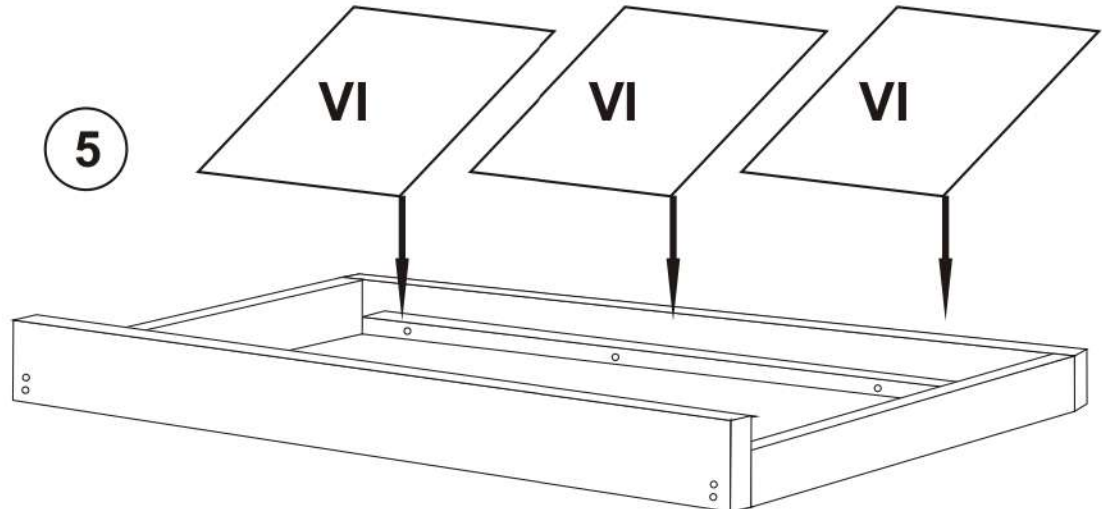
	<b>5x60</b>
	<b>3xB</b>
	<b>2xD</b>
	<b>3x15</b>
	<b>4xE</b>

4



	<b>8x40</b>
	<b>8xC</b>
	<b>6x70</b>
	<b>8xA</b>

5



A=B

