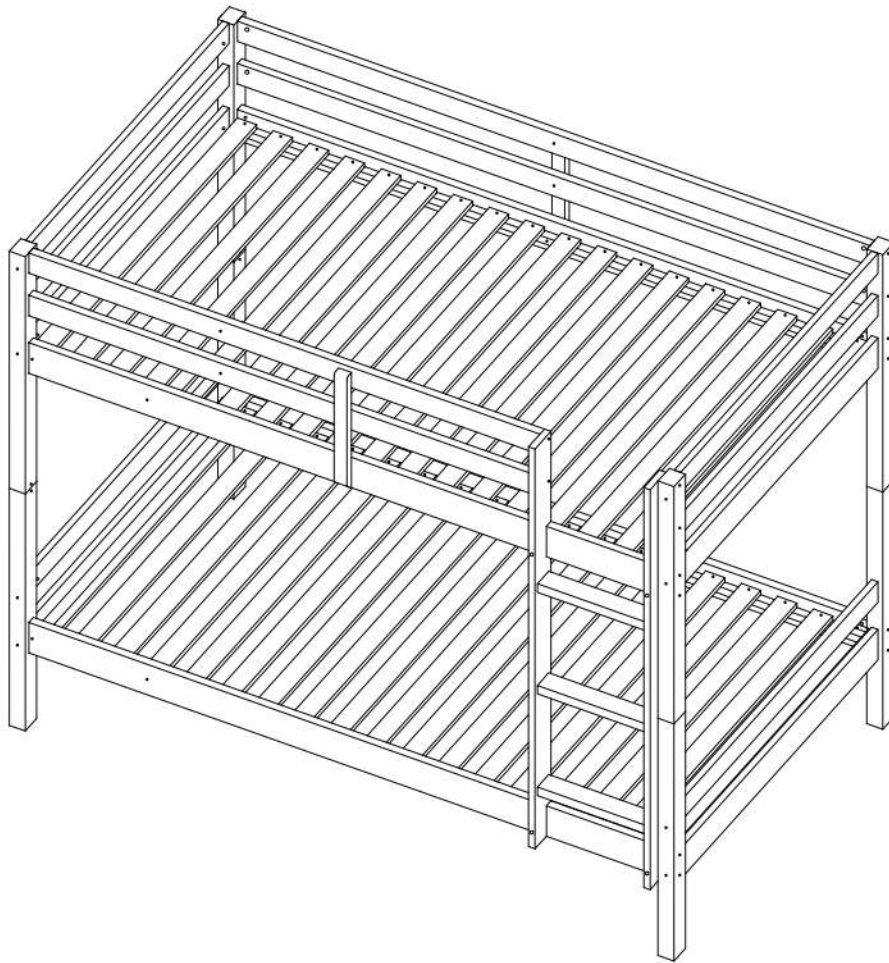
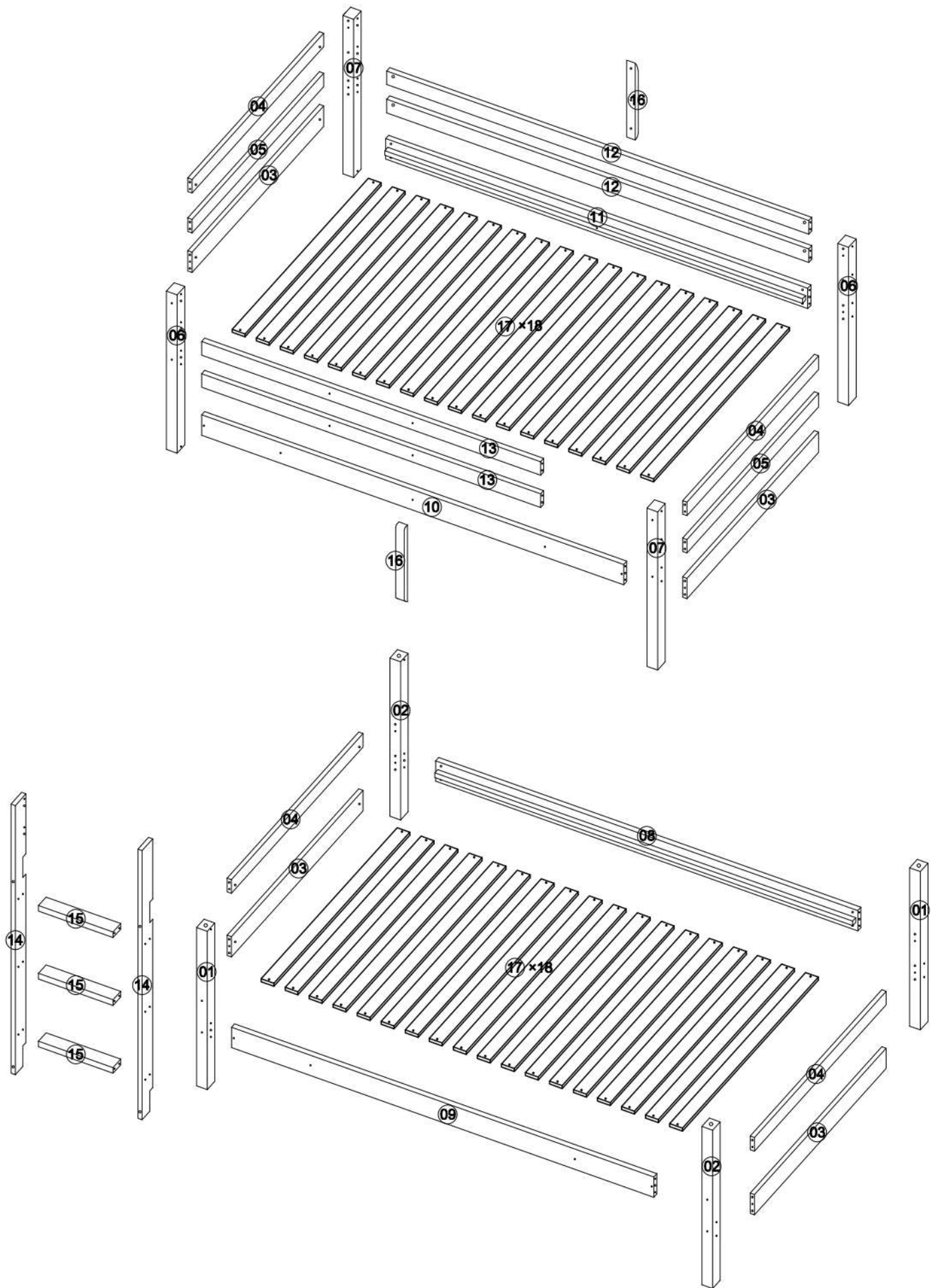


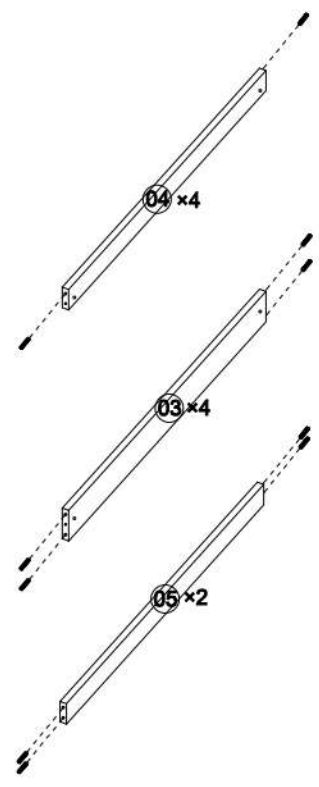
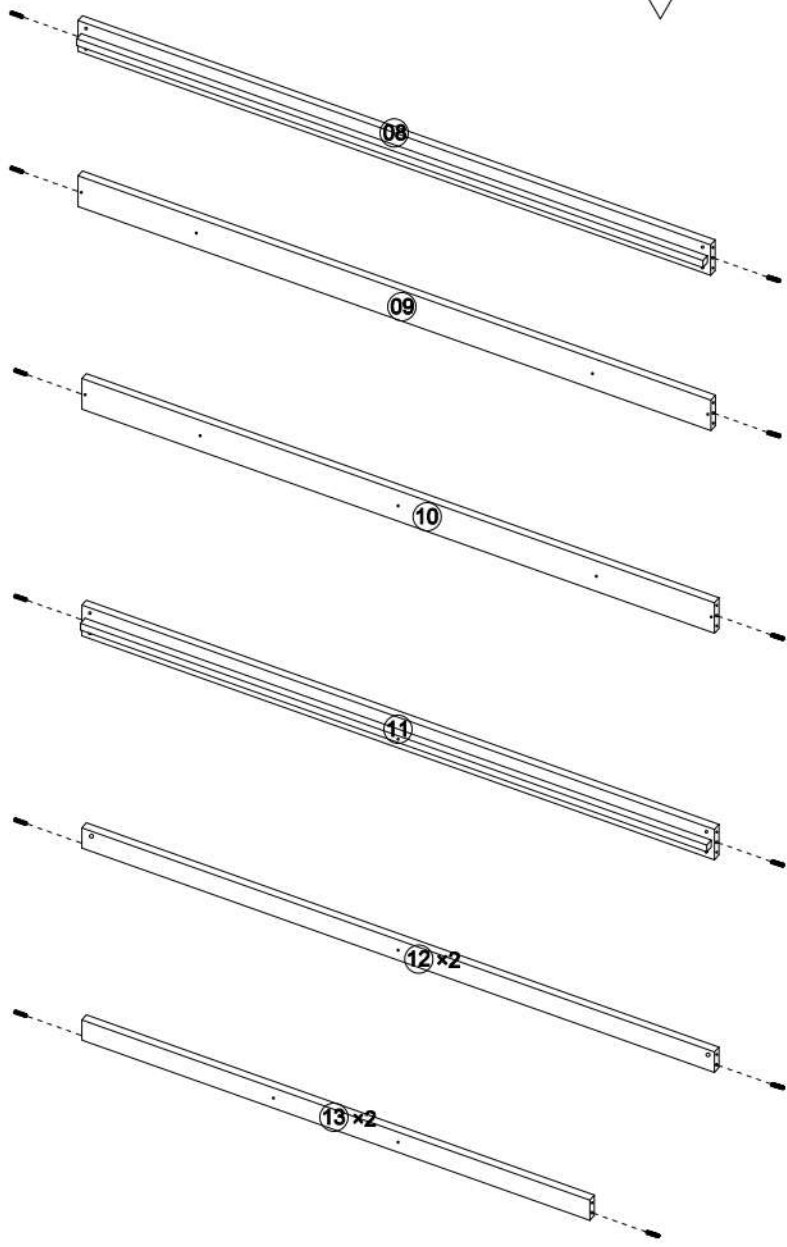
INEZA



A	X38	B	X38	C	X80	D	X48
M6x90mm		M6		Ø4x30mm		Ø8x30mm	
E	X12	F	X2	G	X4	H	X6
Ø6x70mm		M6x70mm		Ø12x60mm		M6x30mm	
I	X48	J	X6	K	X6	L	X8
Ø15		M6x20mm		M6x50mm		Ø8	



01



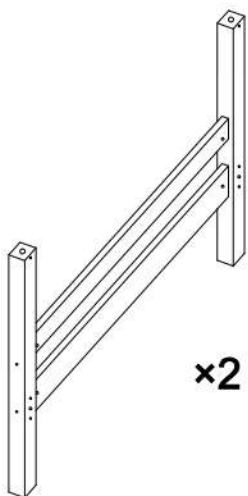
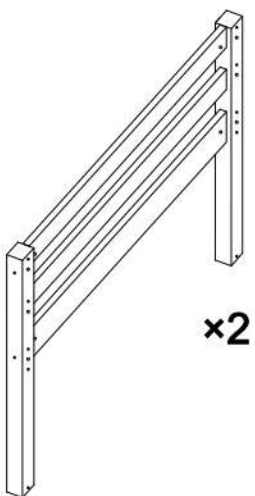
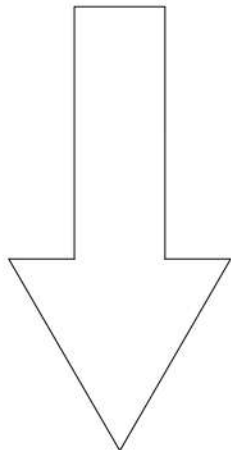
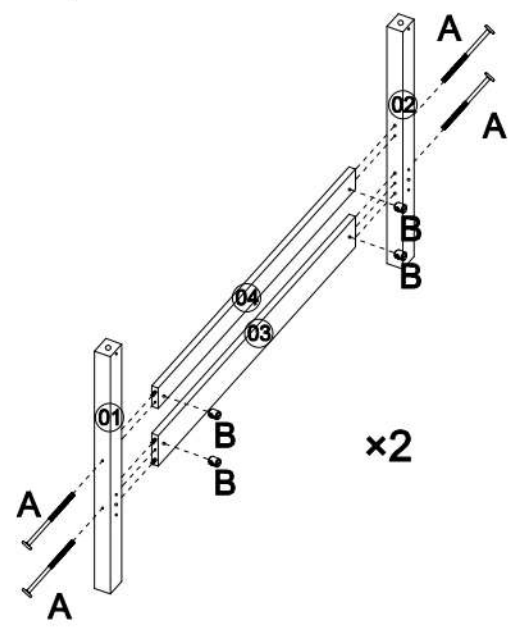
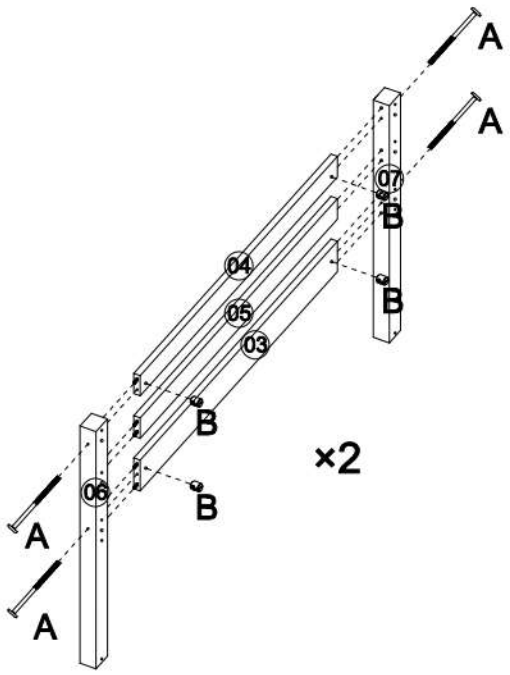
D


X48




Ø8x30mm

02

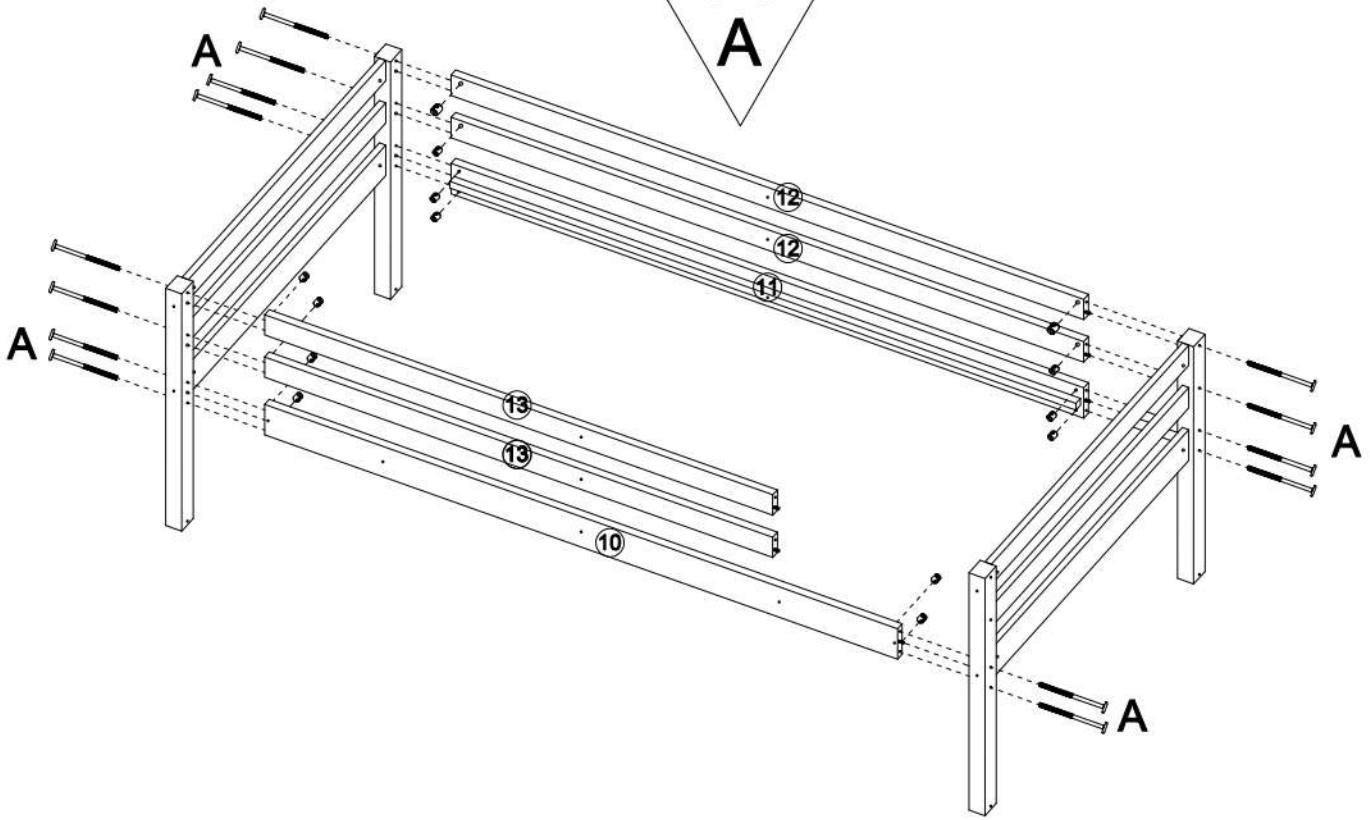


A X16

M6x90mm

B X16

M6

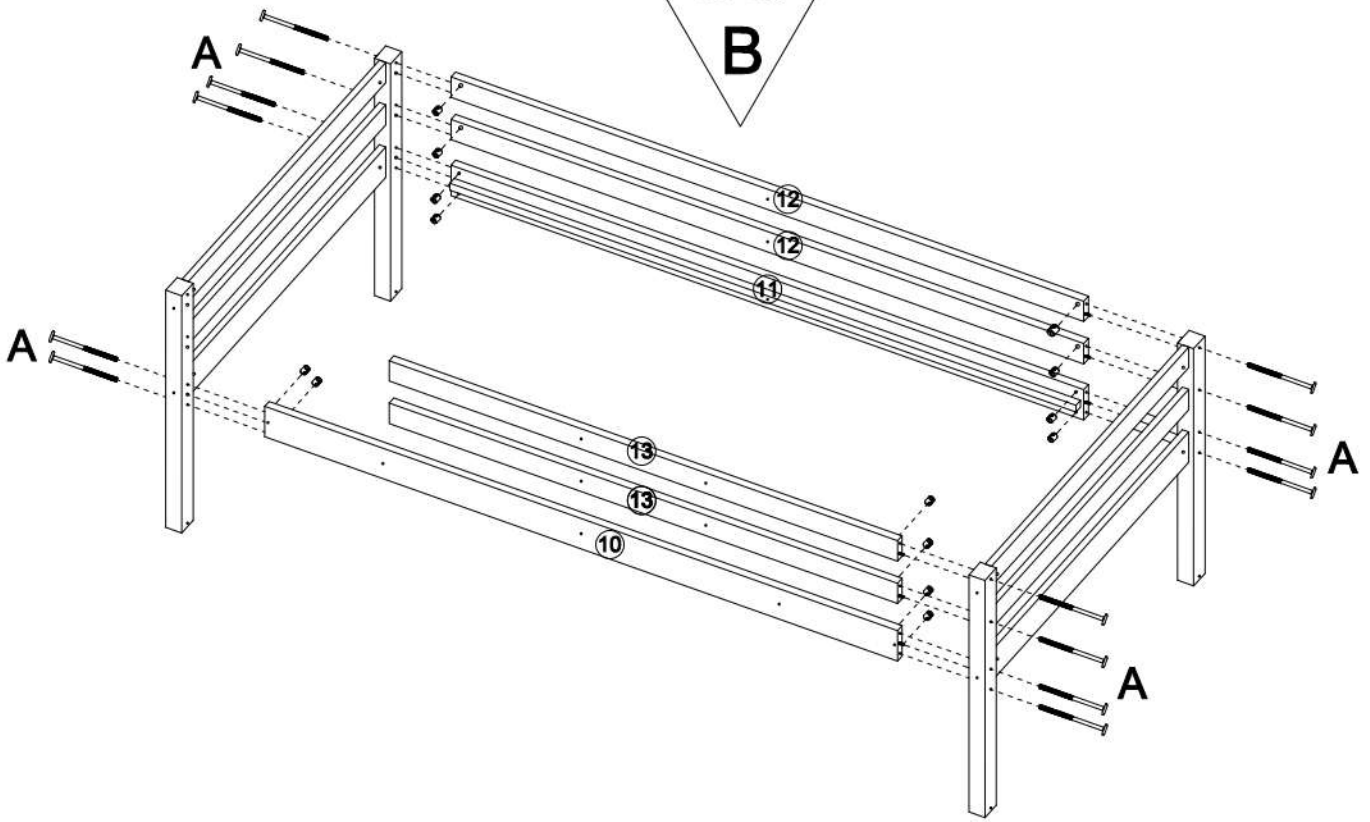
03

A



03

B



A

X14

B

X14

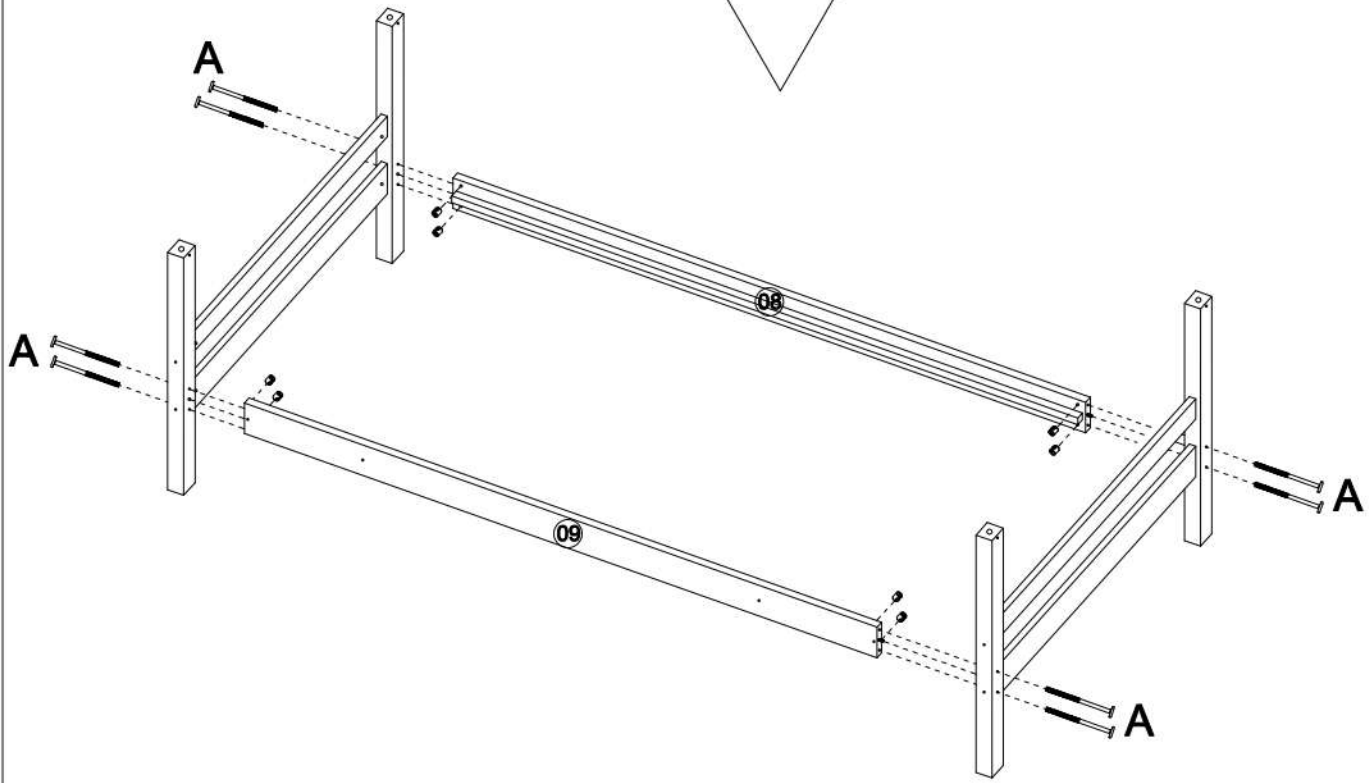


M6x90mm

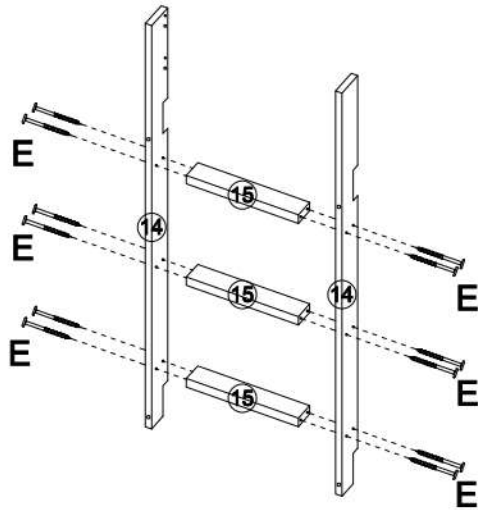


M6

04



05



A

X8

B

X8

E

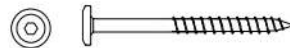
X12



M6x90mm

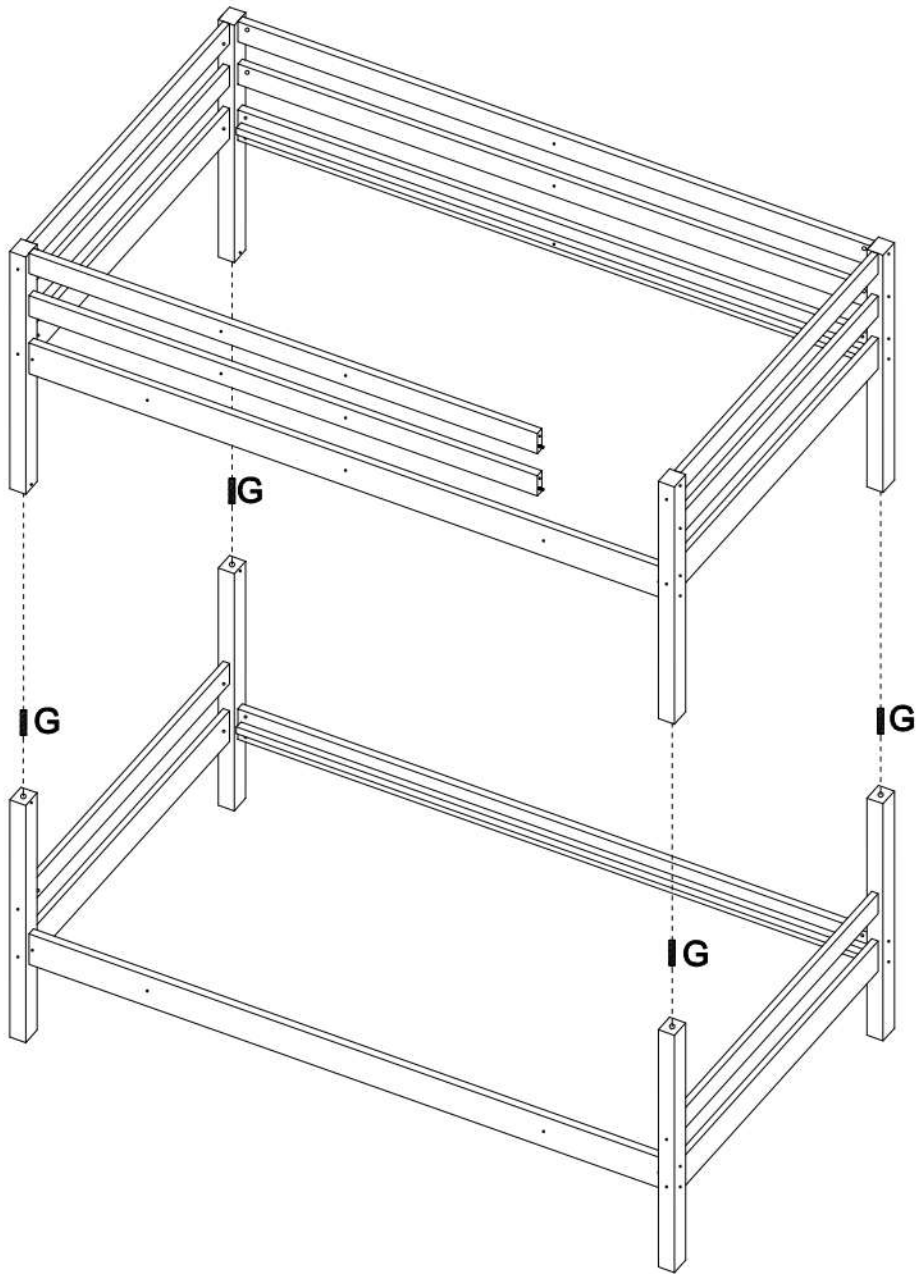


M6



Φ6x70mm

06



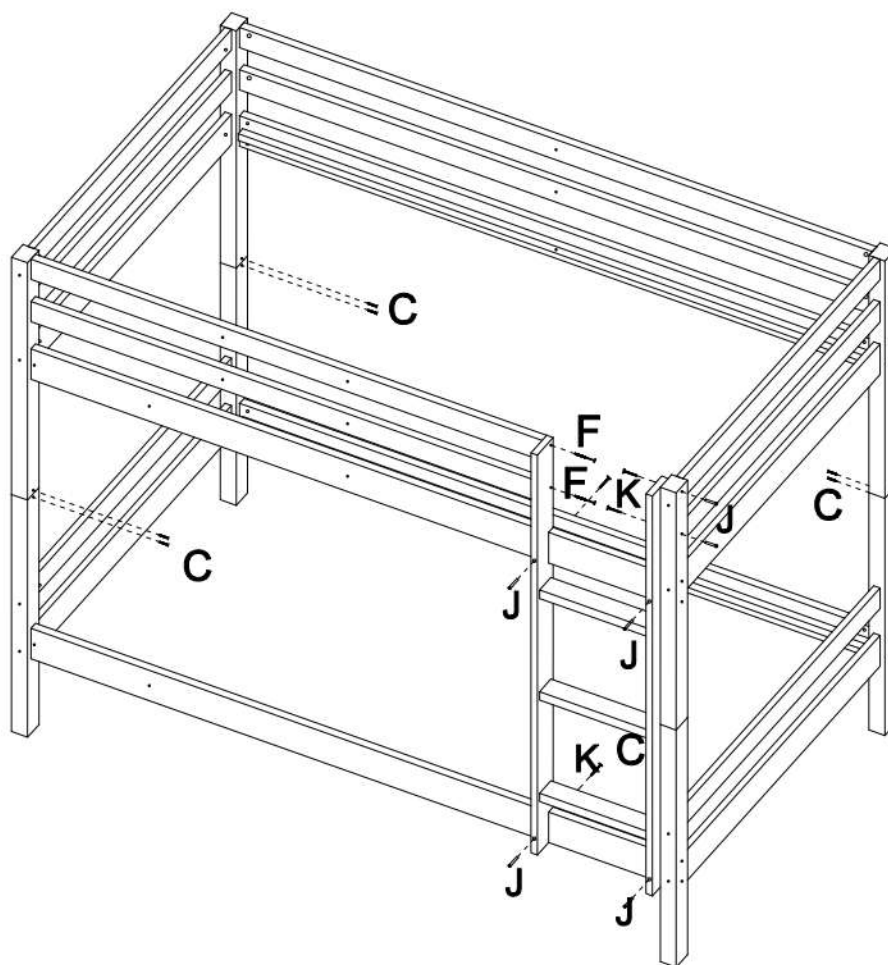
G

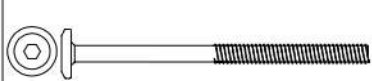
X4

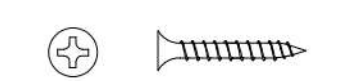



Ø12x60mm


07



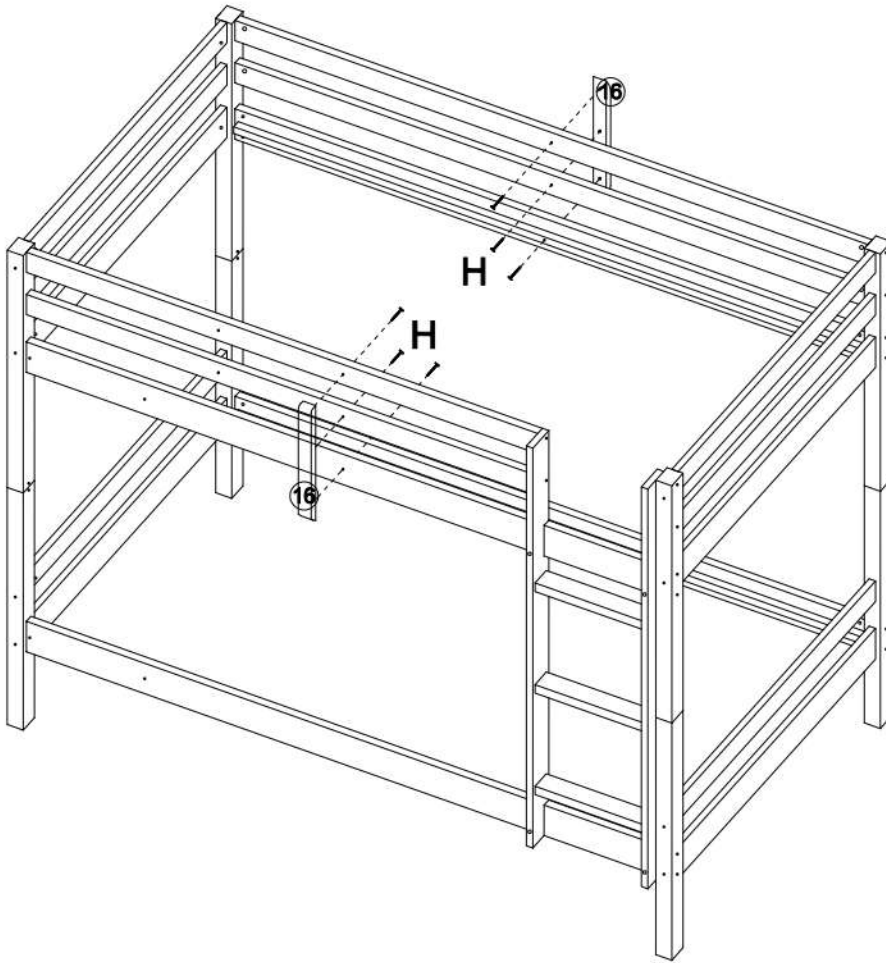
F X2

M6x70mm

C X8

Ø4x30mm

J X6

M6x20mm

K X6

M6x50mm

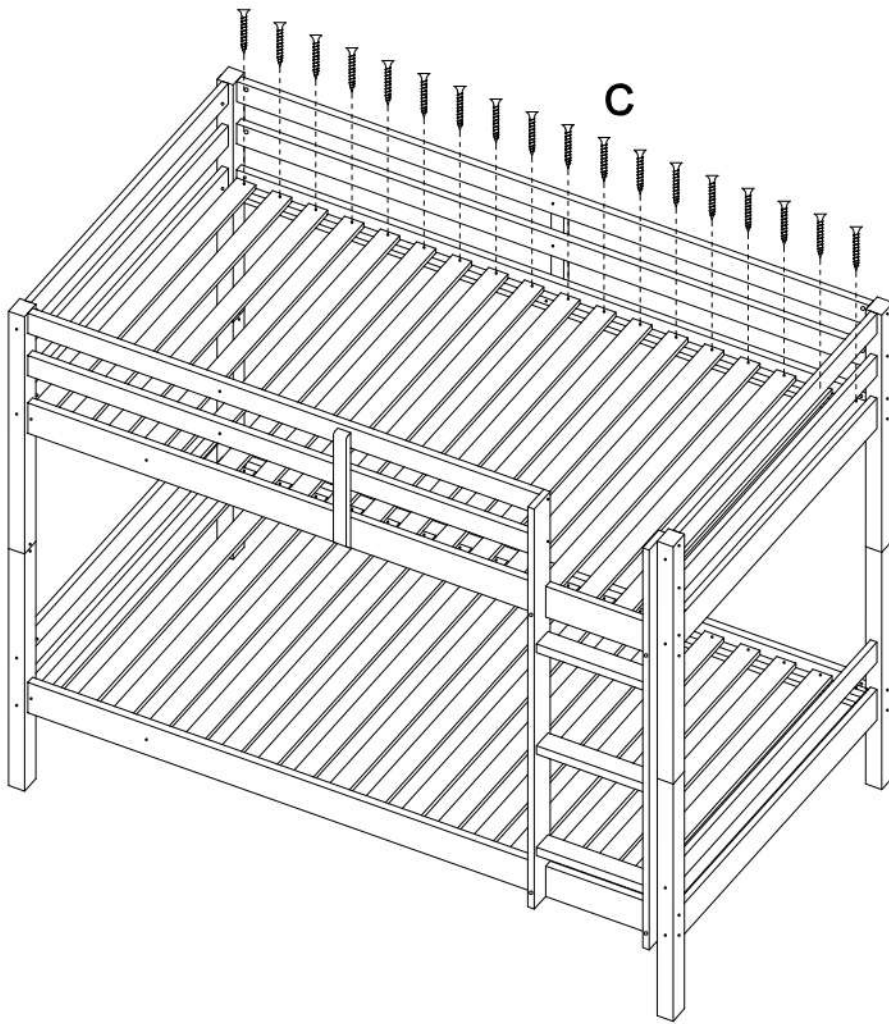
08



H X6



M6x30mm



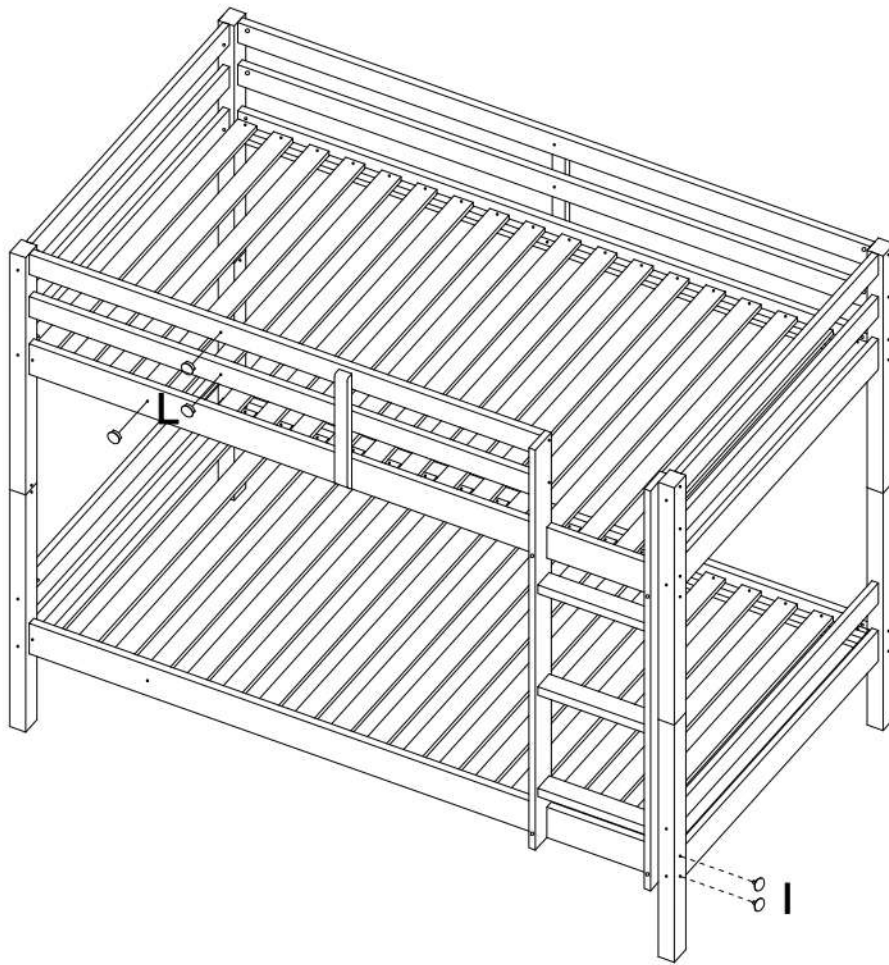
C

X72



Ø4x30mm

10



I

X48 L

X8



Φ15



Φ8