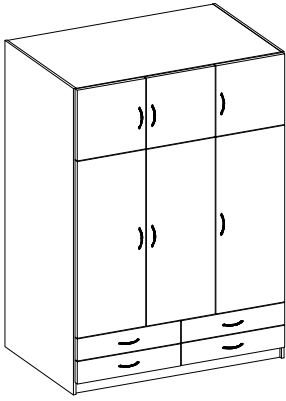




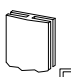




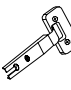




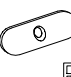

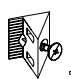





GERI



 A	 B	 C	 D	 E	 F	 G	 H
50	12	1	12	1	16	4	1
 J	 K	 L	 M	 N	 P	 R	 S
8	12	12	26	2	1	8	45-50
 T	 U	 W	 X				
16	10	20	5				

