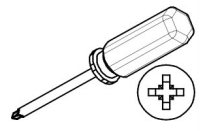
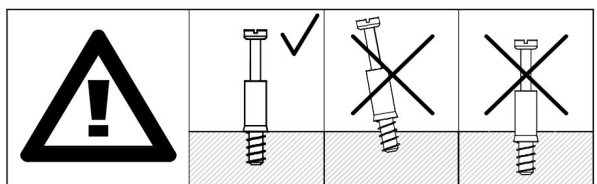
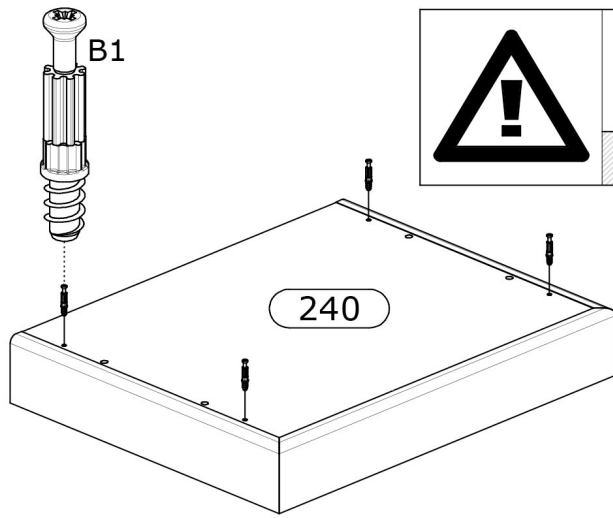


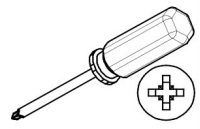
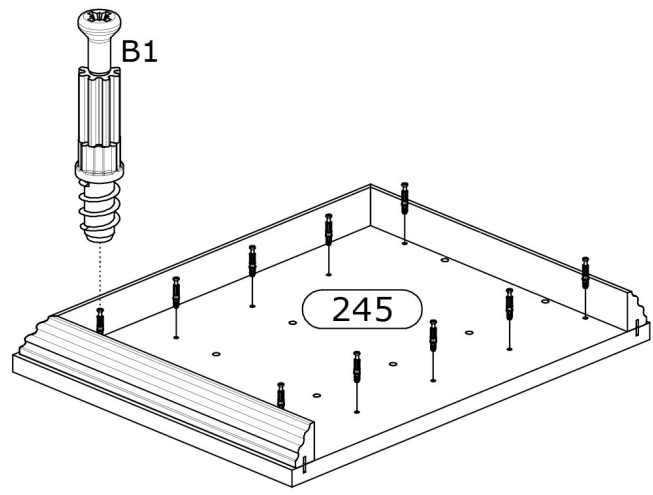
1

B1 x 4
Ø5x38mm



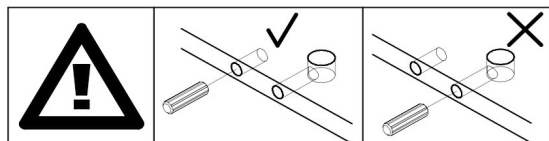
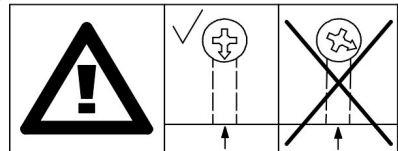
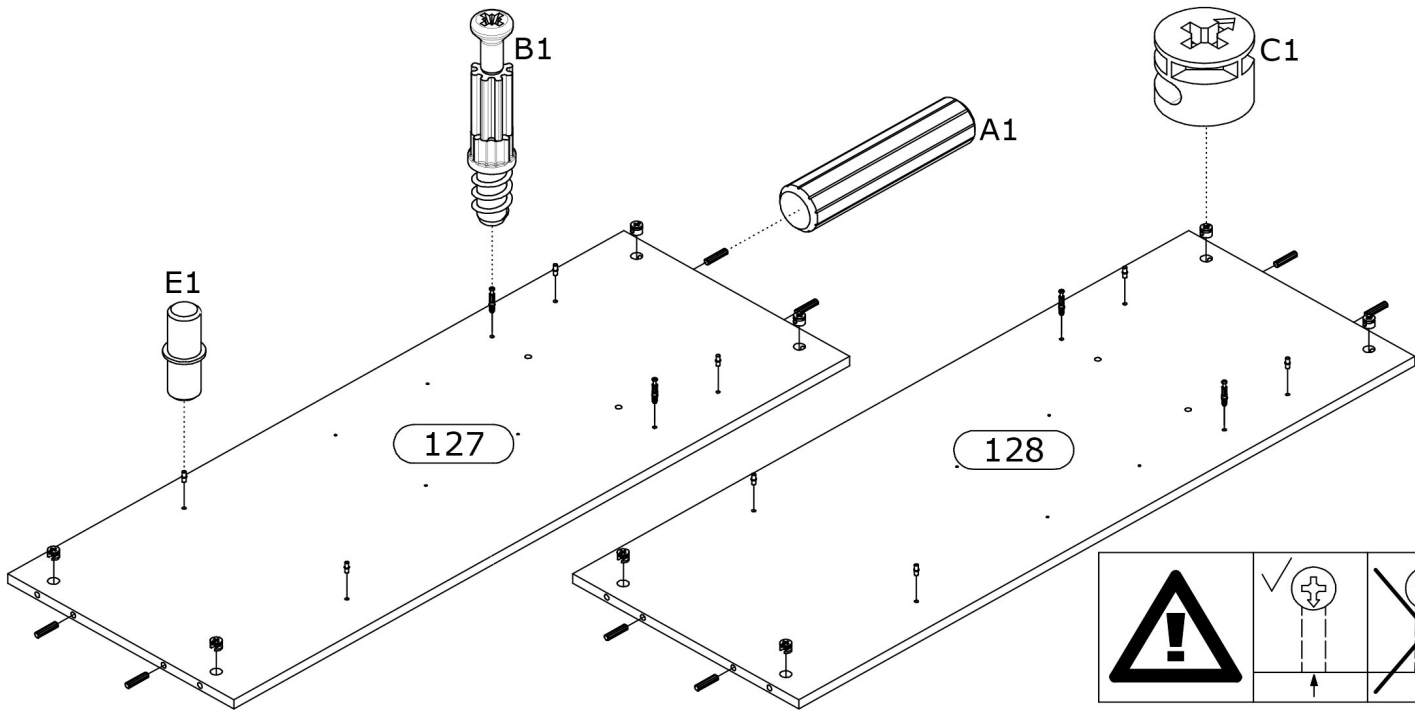
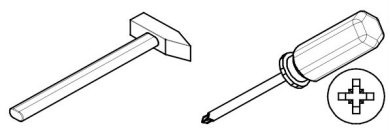
2

B1 x 10
Ø5x38mm

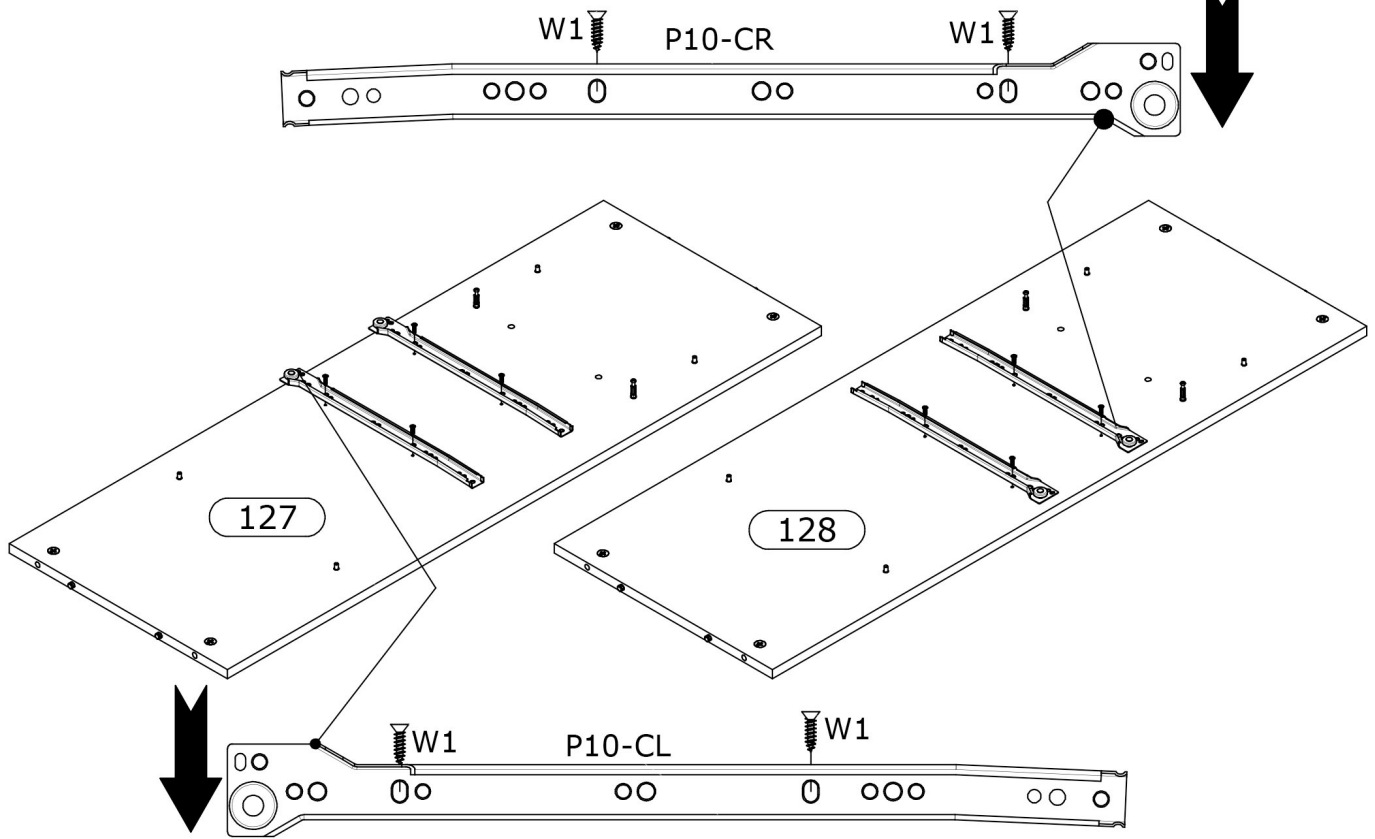
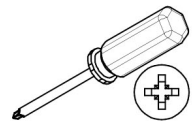
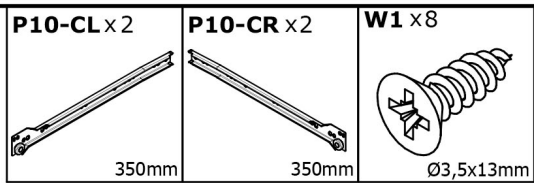


3

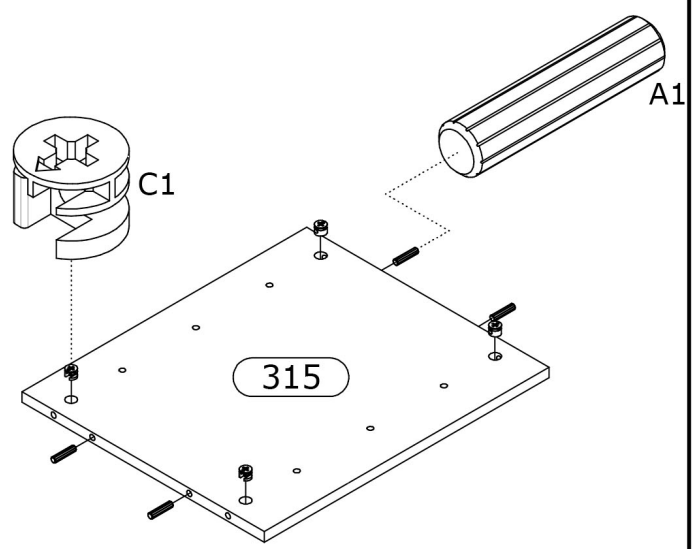
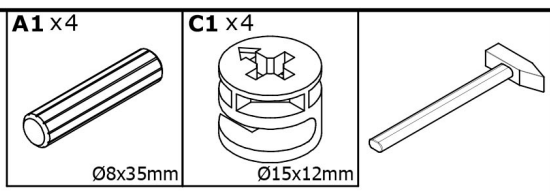
A1 x 8 Ø8x35mm
B1 x 4 Ø5x38mm
C1 x 8 Ø15x12mm
E1 x 8 Ø5x16mm



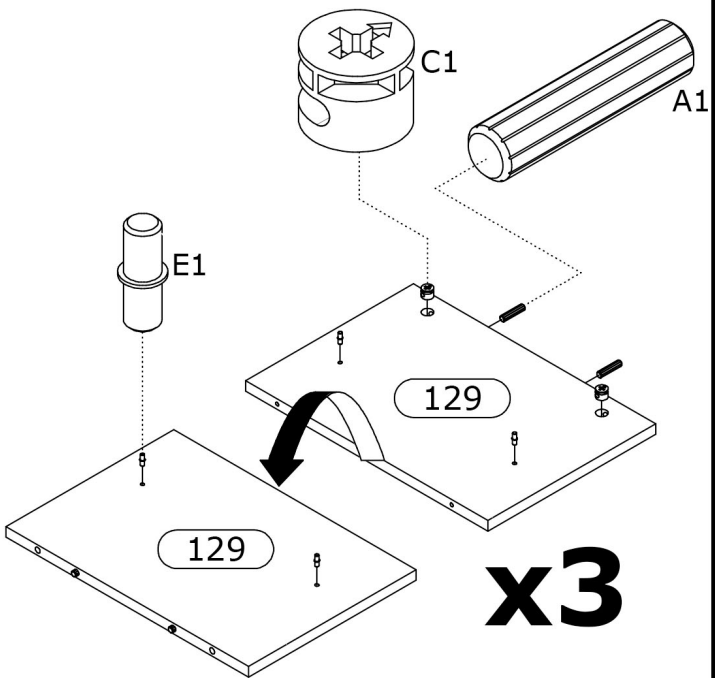
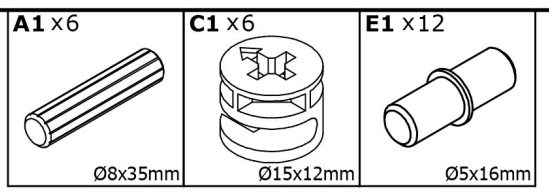
4



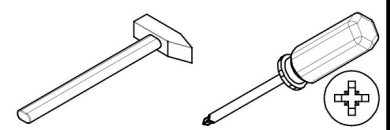
5



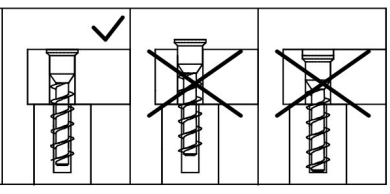
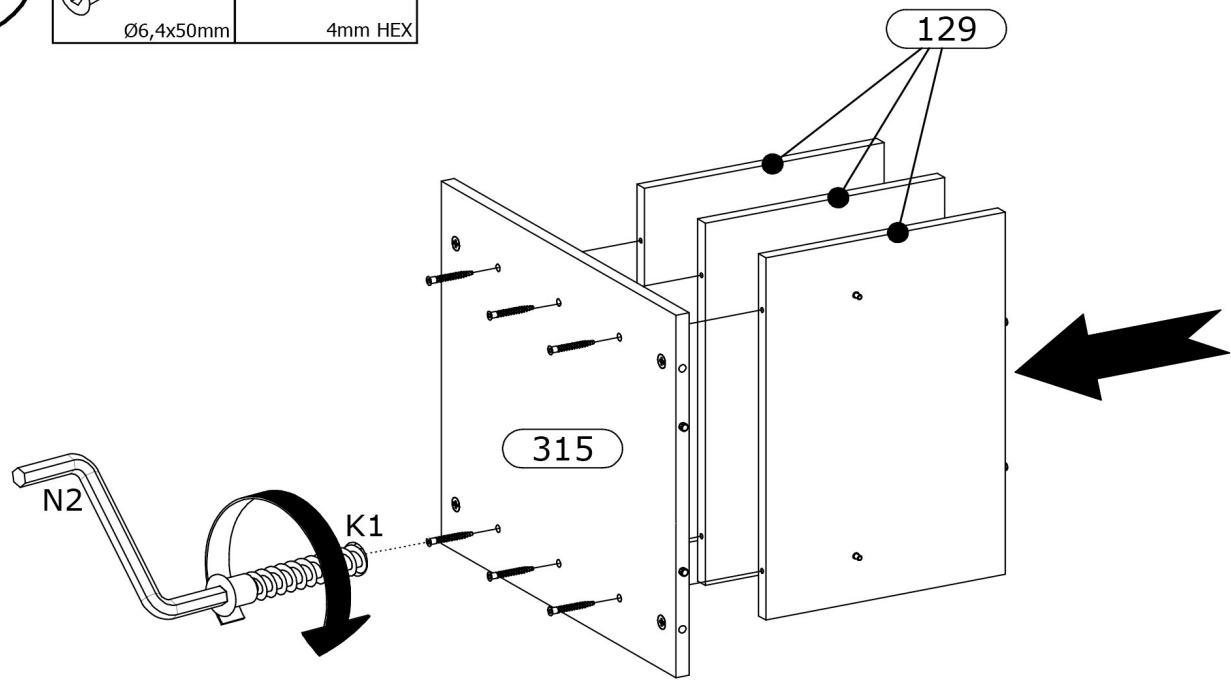
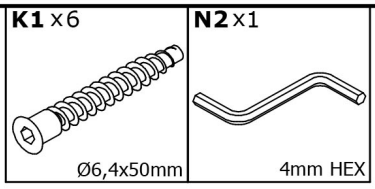
6



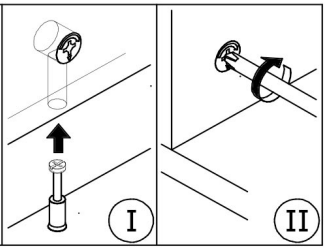
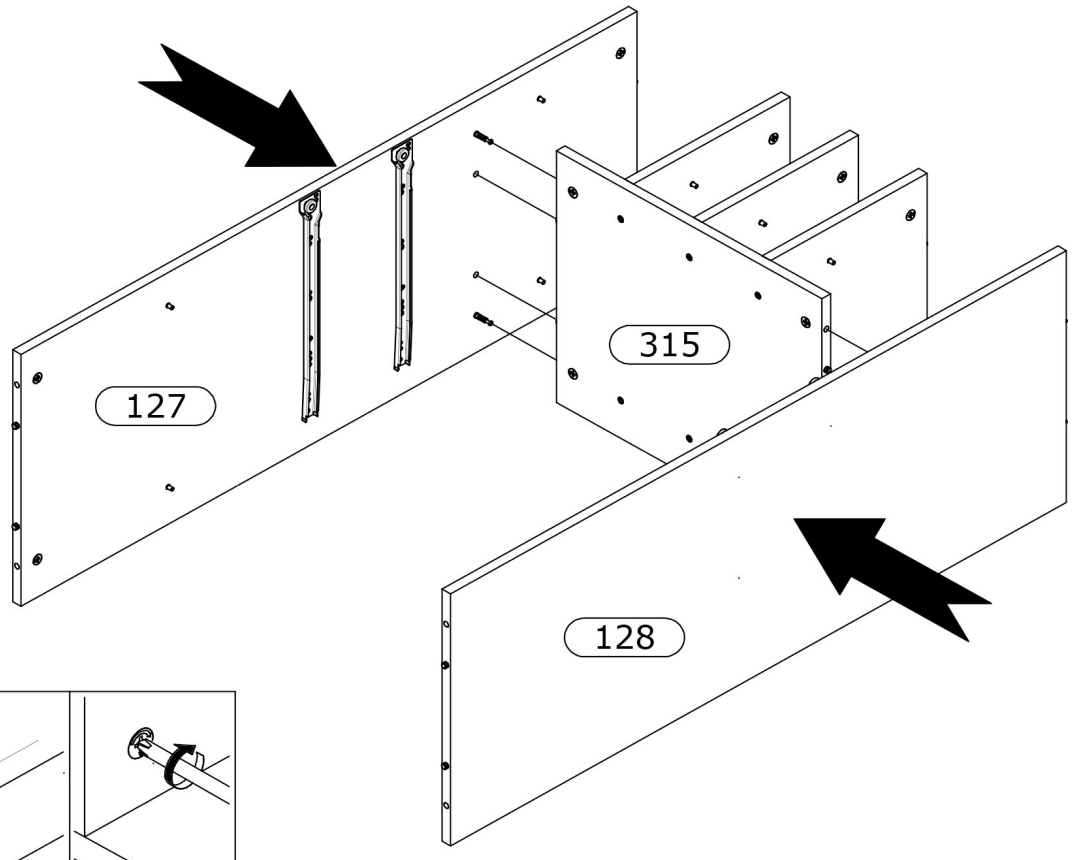
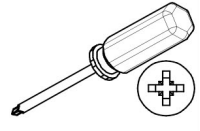
x3



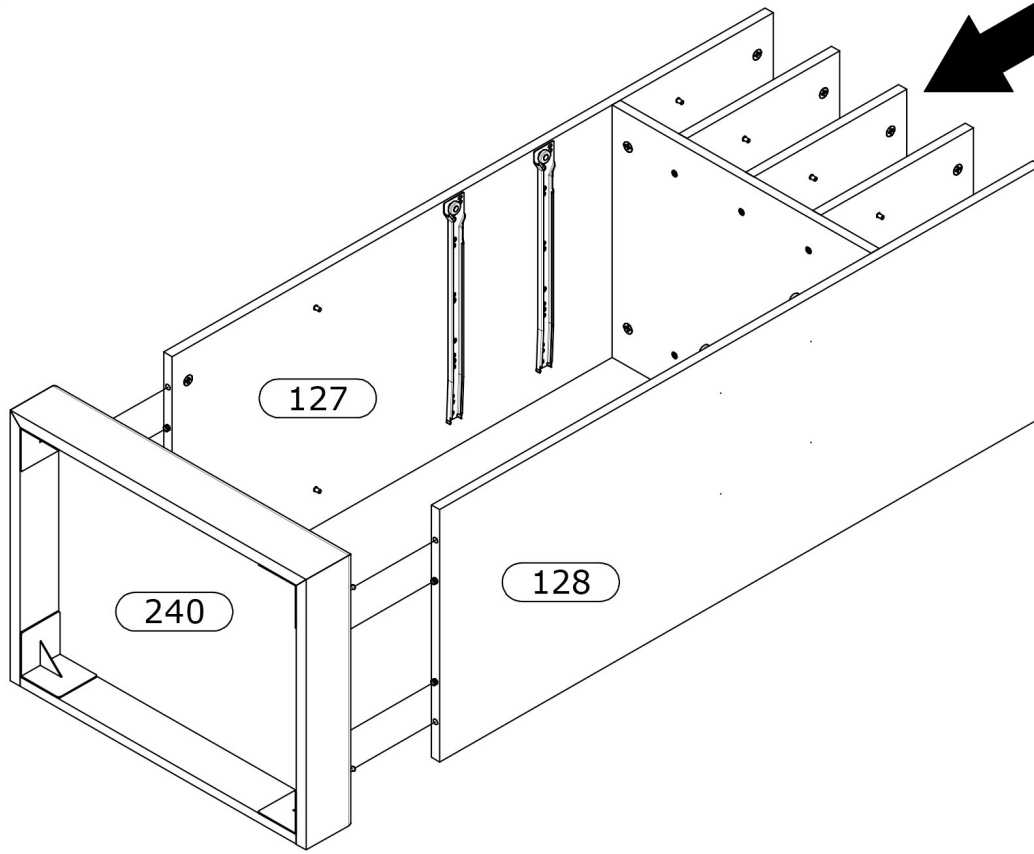
7



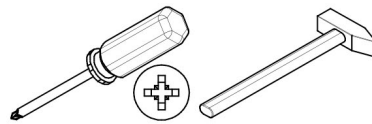
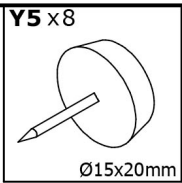
8



9



10



245

127

128

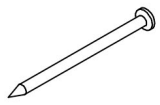
Y5



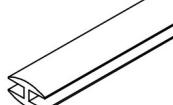
11

G1 x 28

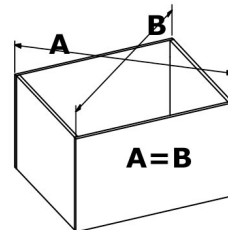
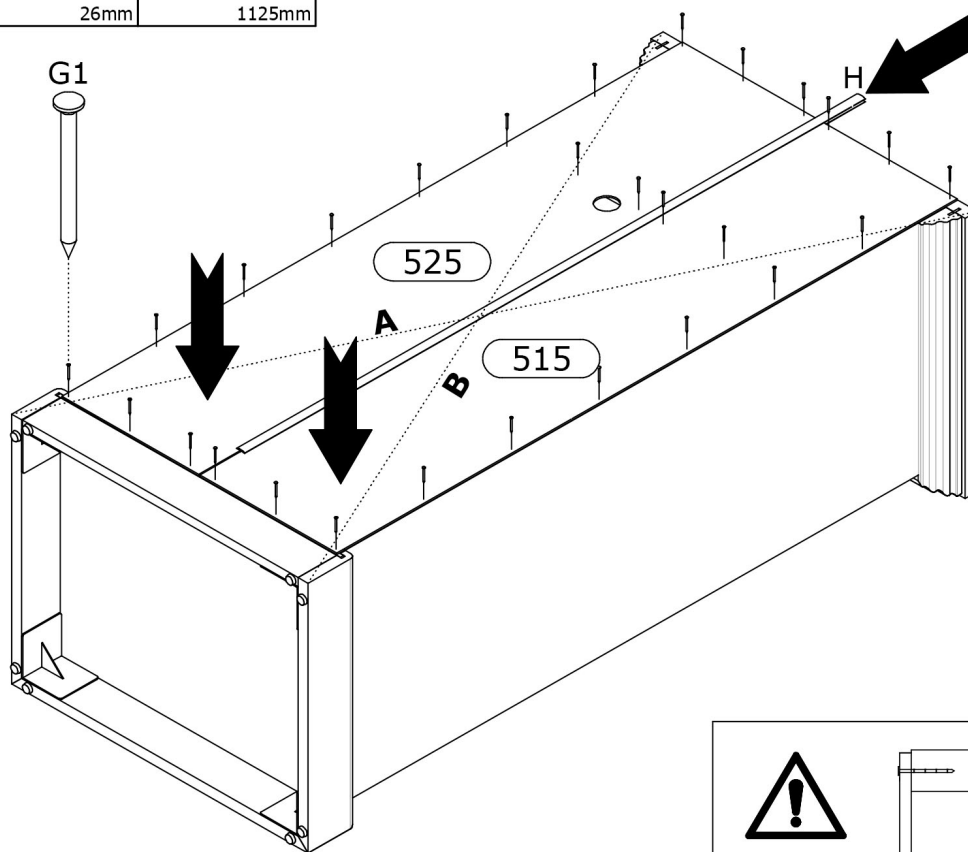
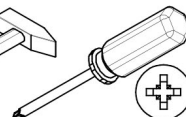
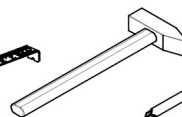
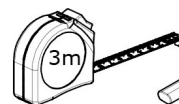
H x 1



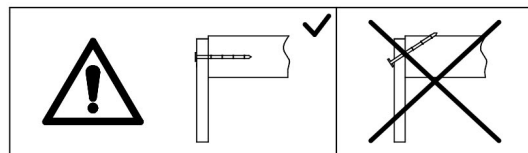
26mm



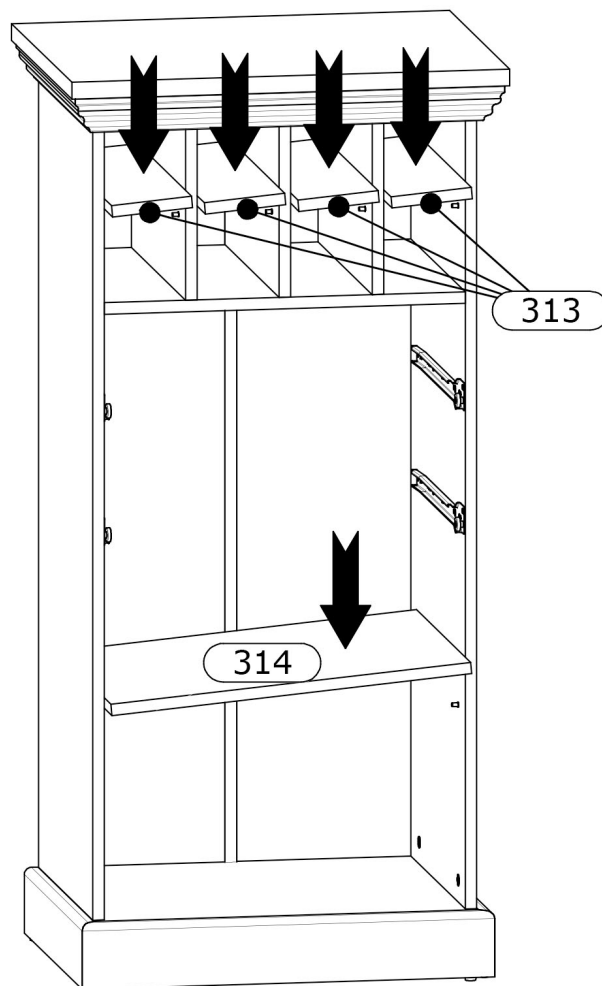
1125mm



$A=B \equiv 90^\circ$

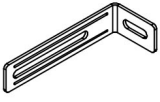


12



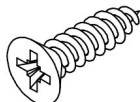
13

T4 x1

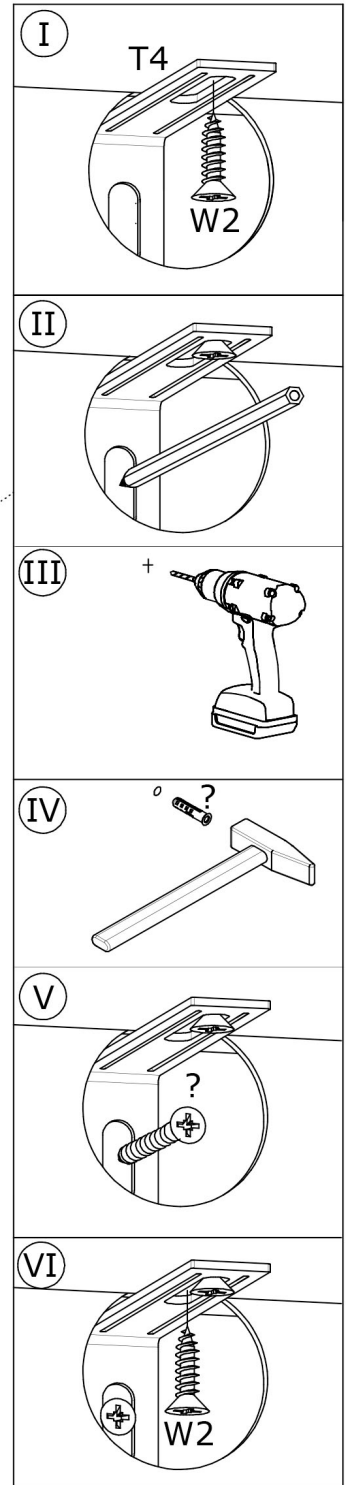
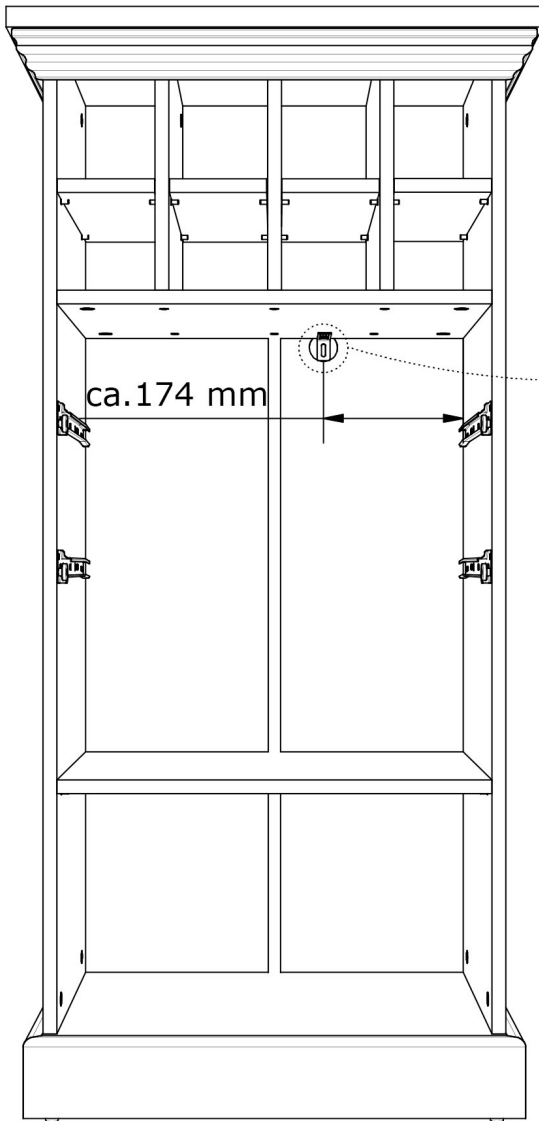
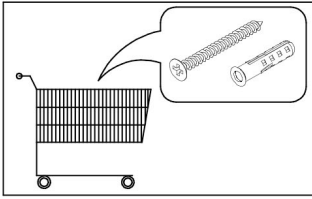
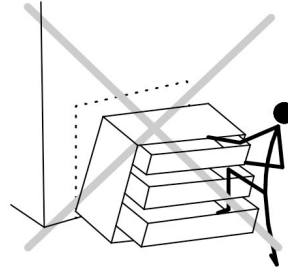
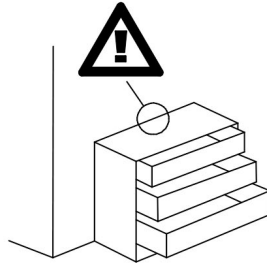
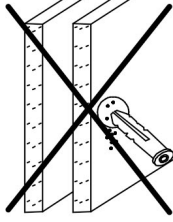
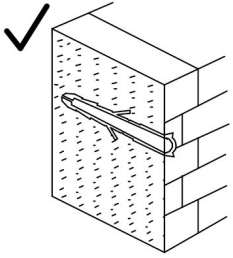
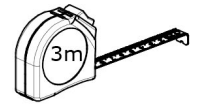
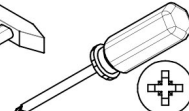
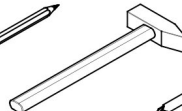
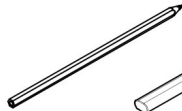


75x28x16 mm

W2 x2

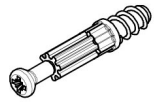


Ø3,5x16mm



14

B1 x4

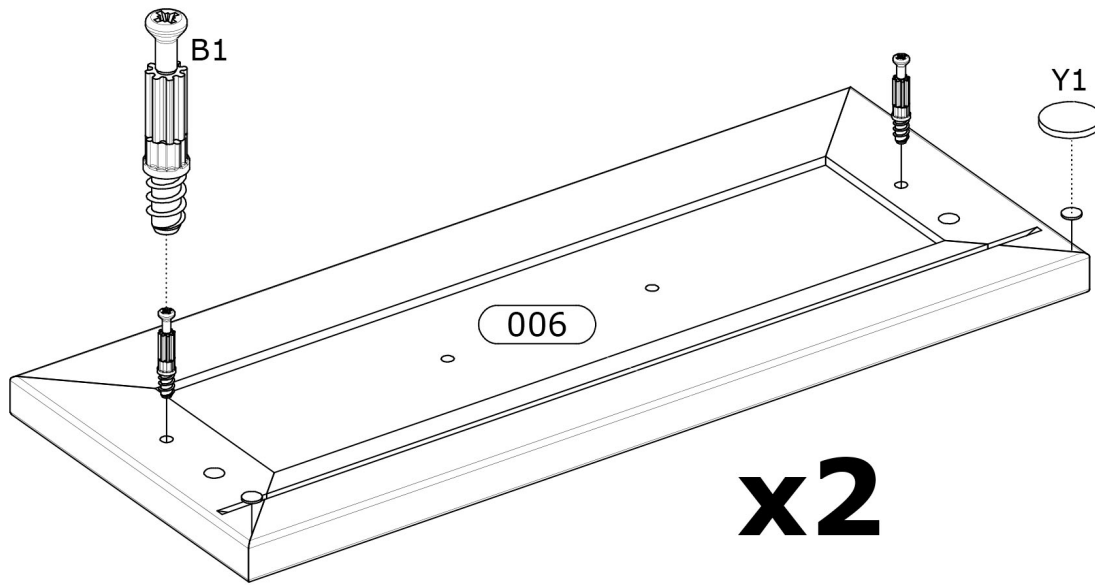
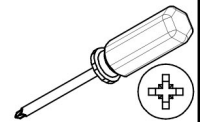


Ø5x38mm

Y1 x4

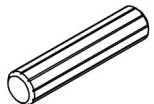


Ø8x1,5mm



15

A1 x4

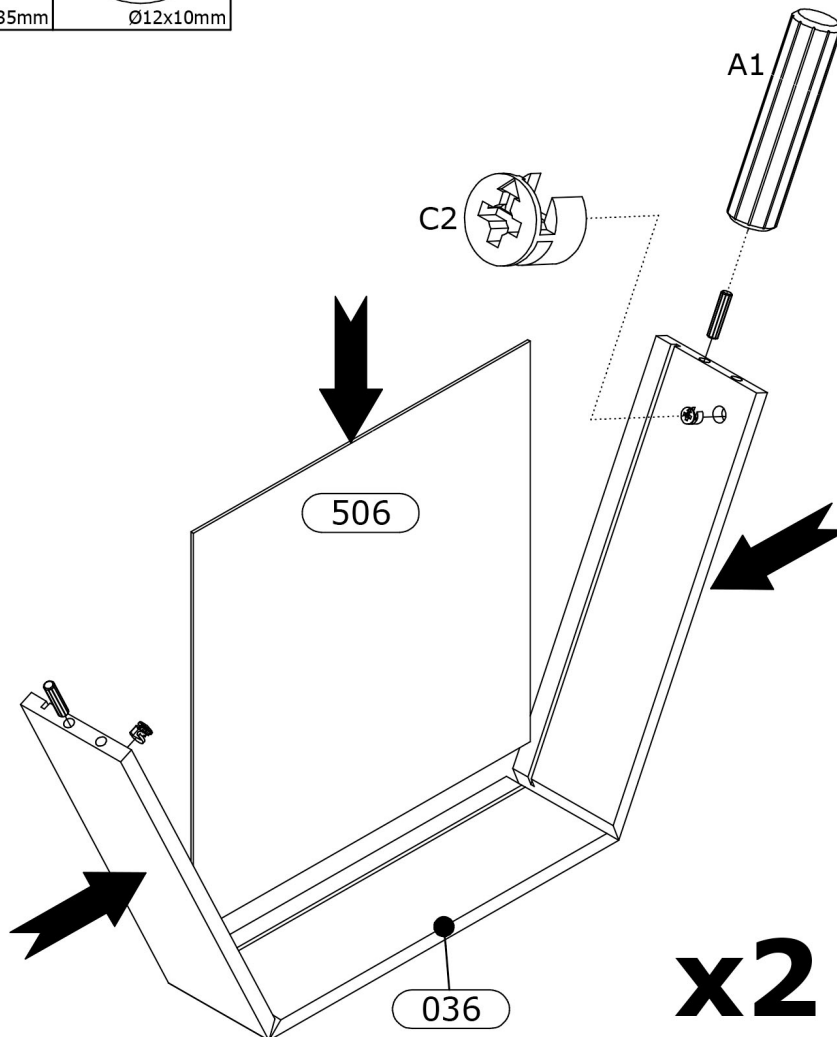
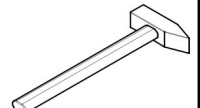


Ø8x35mm

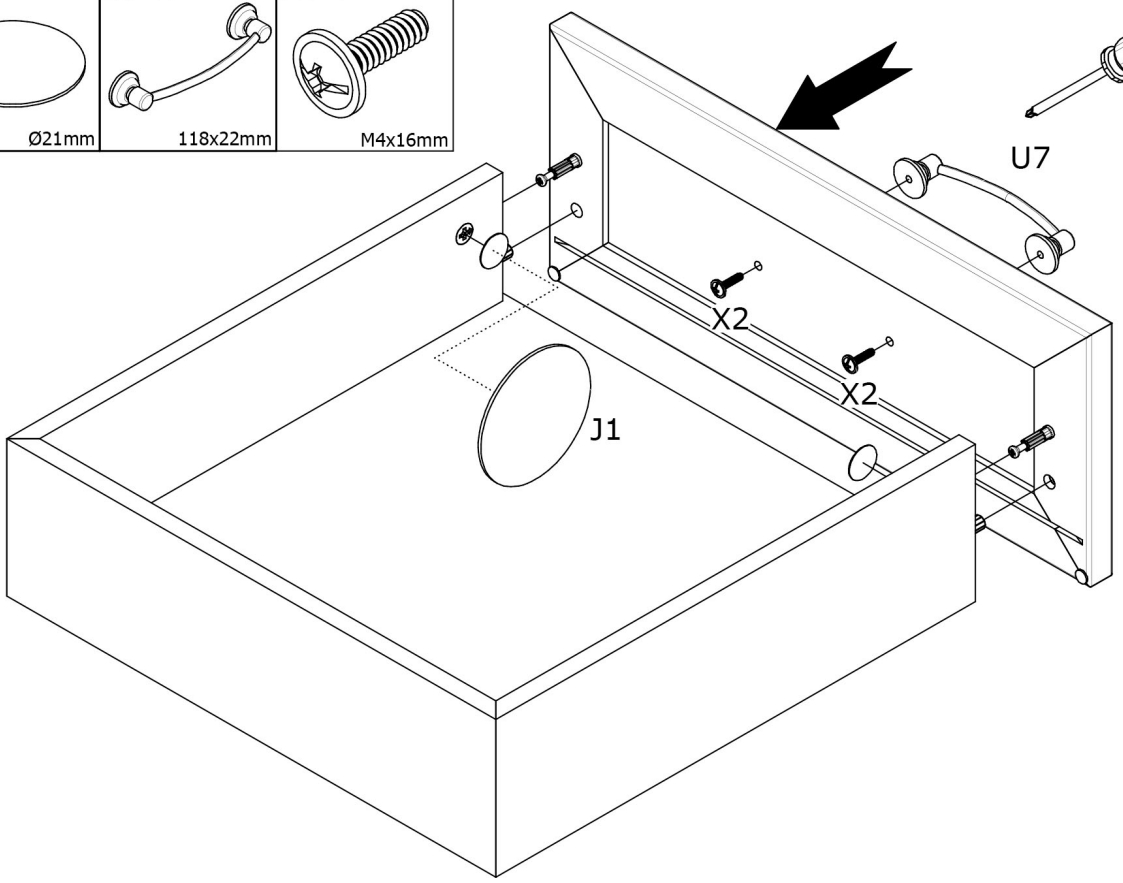
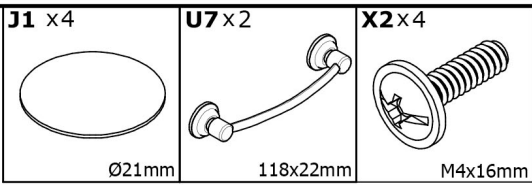
C2 x4



Ø12x10mm

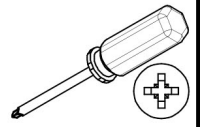
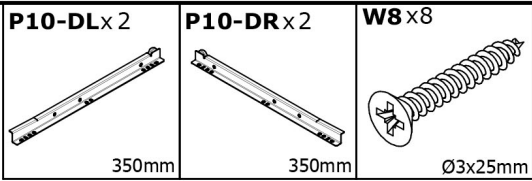


16



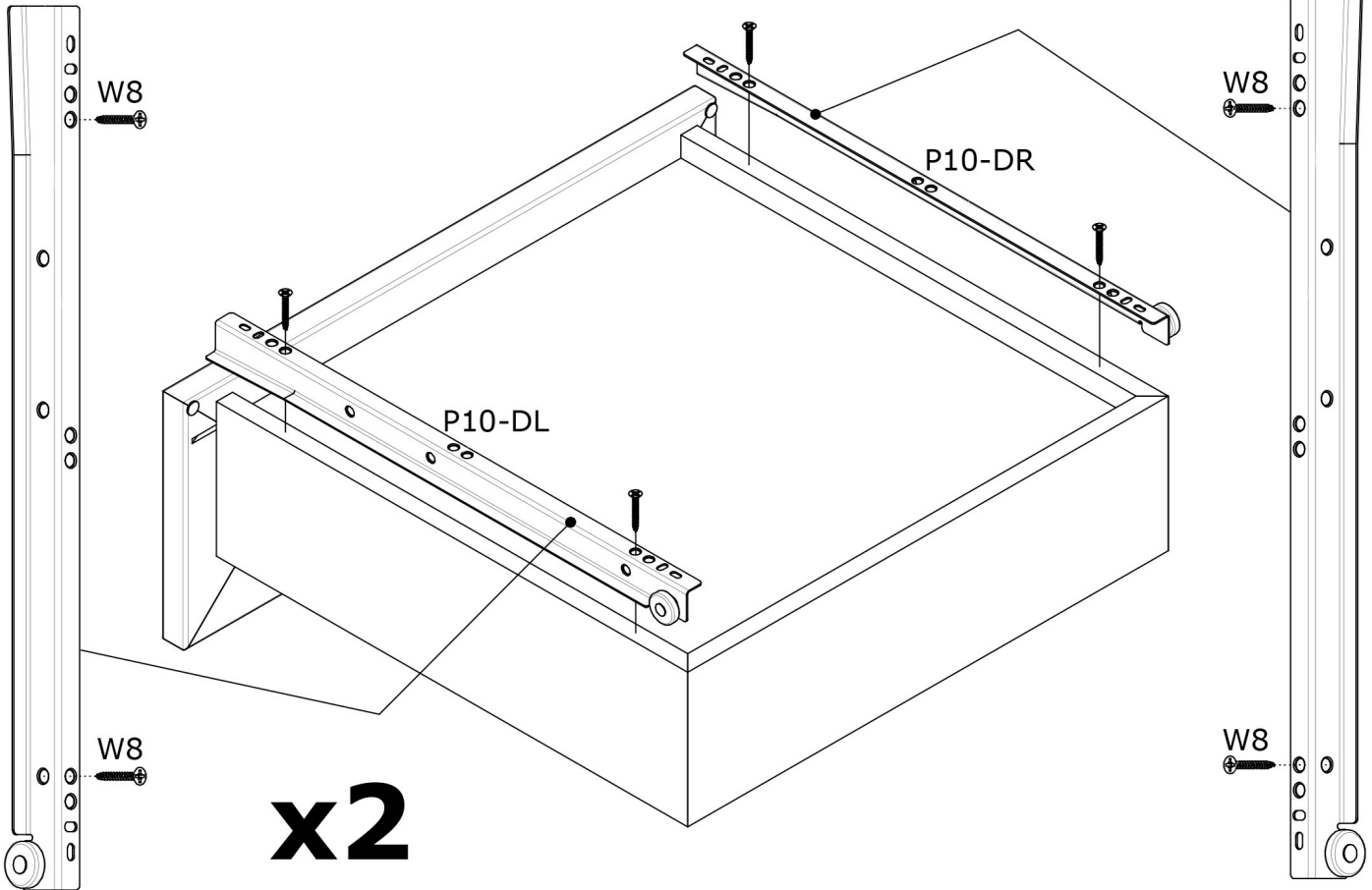
x2

17



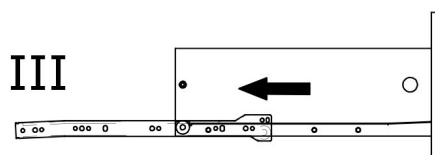
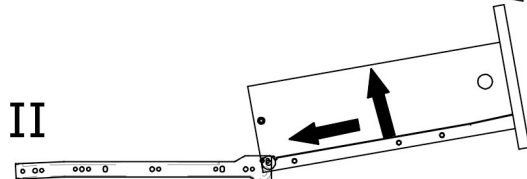
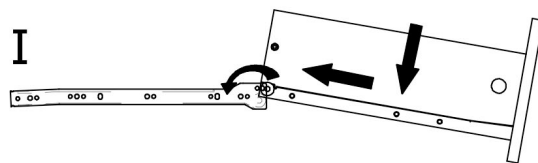
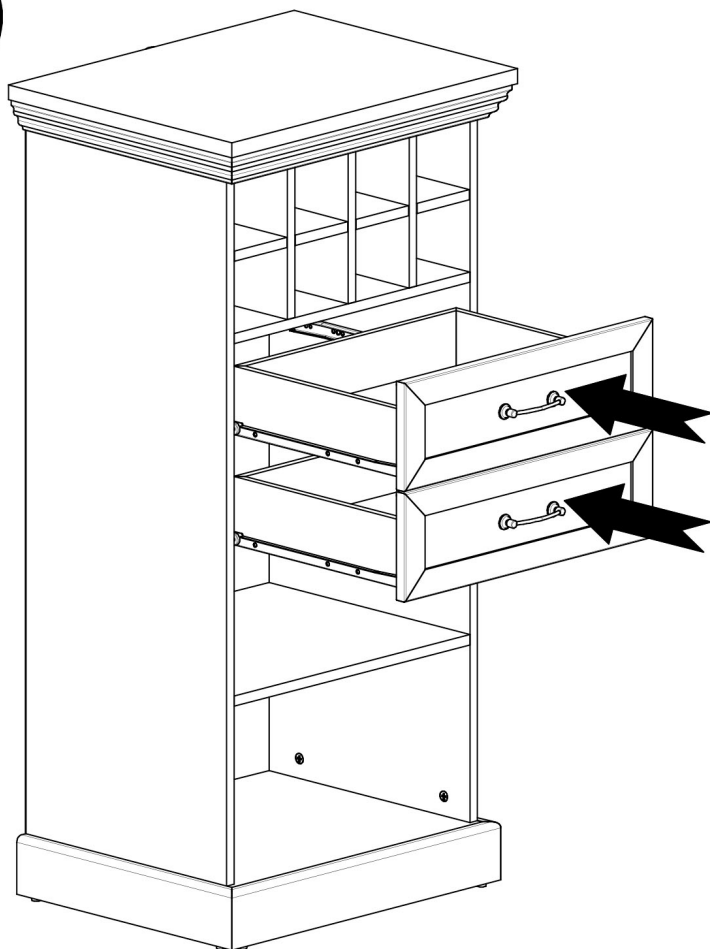
P10-DL

P10-DR



x2

18



19

J6 x14



Ø21mm

