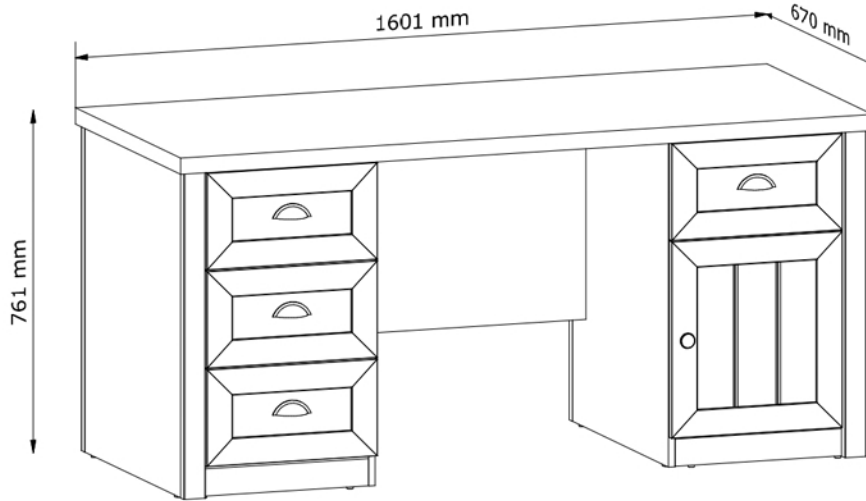
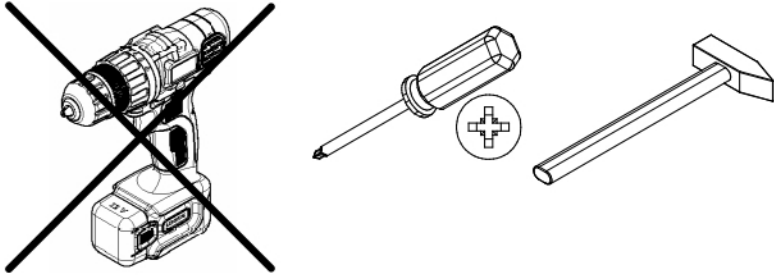
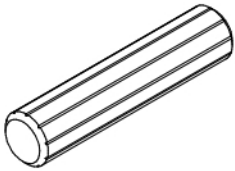


B1 SA

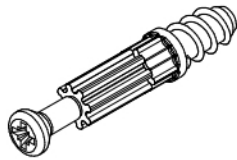


A1 x34



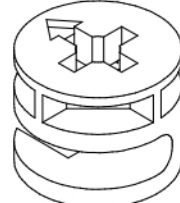
Ø8x35mm

B1 x44



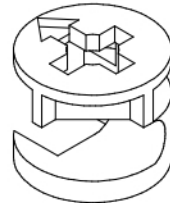
Ø5x38mm

C1 x36



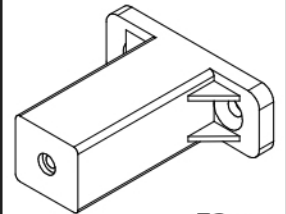
Ø15x12mm

C2 x8



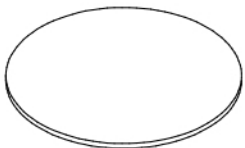
Ø12x10mm

F4 x8



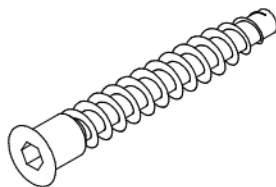
53mm

J1 x15



Ø21mm

K1 x6



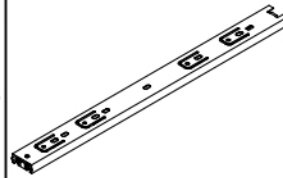
Ø6,4x50mm

N2 x1



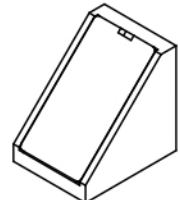
4mm HEX

P3 x8



400mm

R1 x4



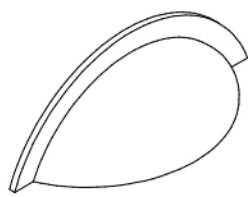
24x24x19mm

U1 x1



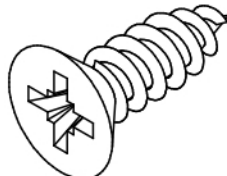
Ø33mm

U3 x4



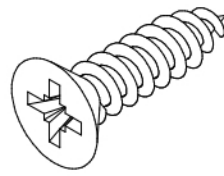
92x33mm

W1 x32



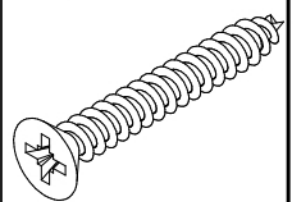
Ø3,5x13mm

W2 x28



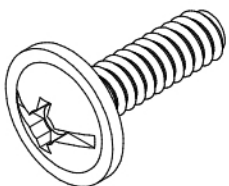
Ø3,5x16mm

W5 x8



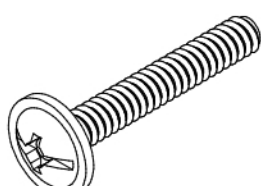
Ø4x30mm

X2 x8



M4x16mm

X4 x1



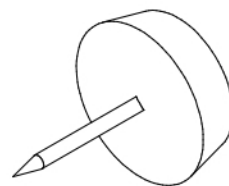
M4x25mm

Y1 x6



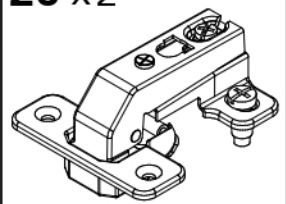
Ø8x1,5mm

Y5 x16

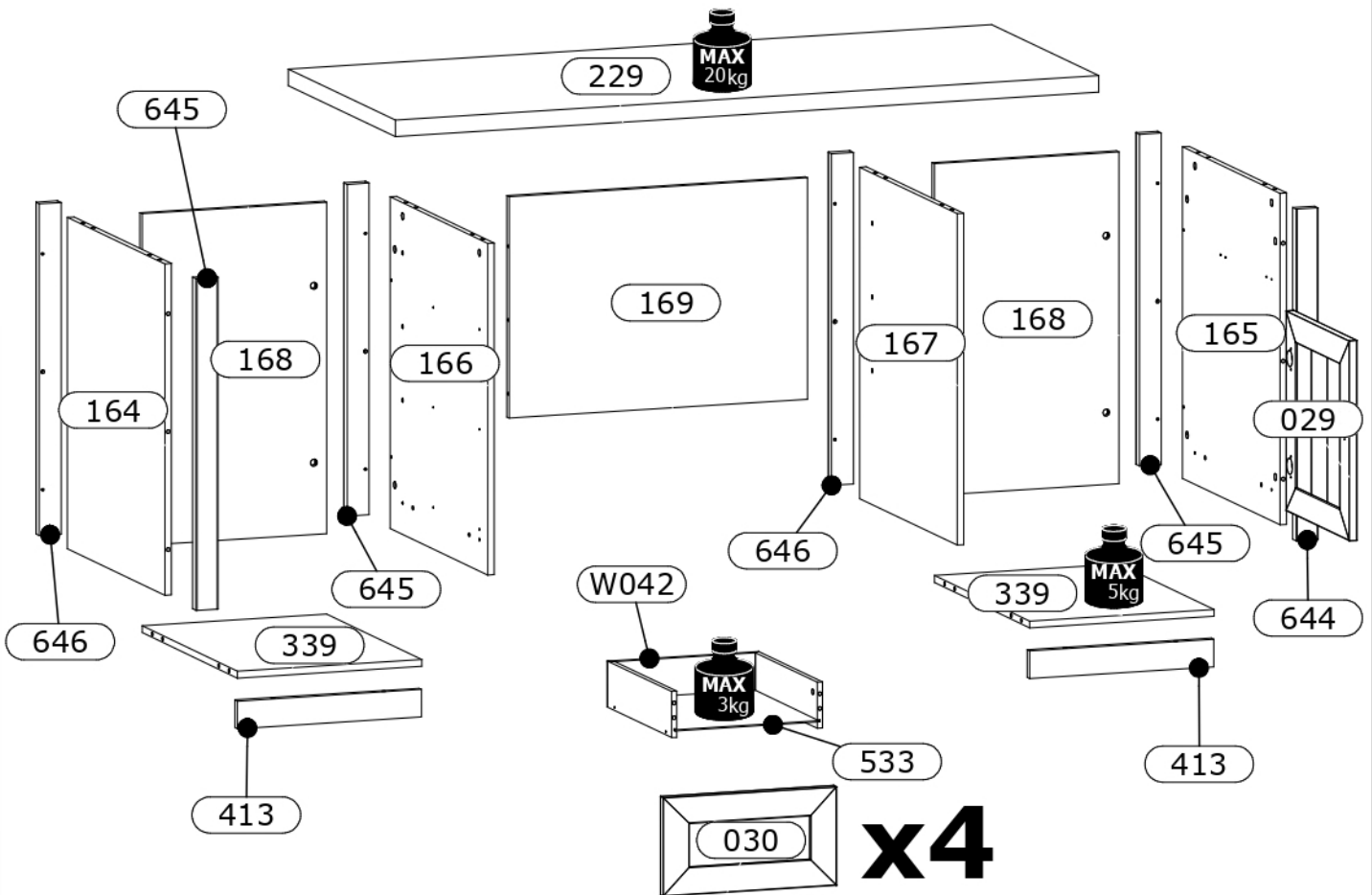
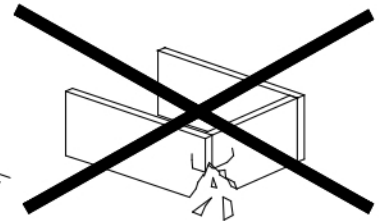
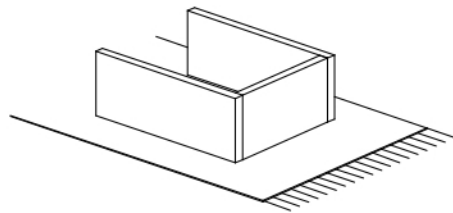
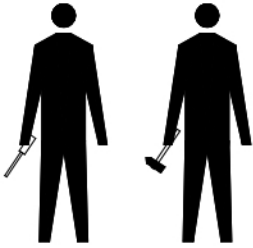


Ø15x20mm

Z6 x2

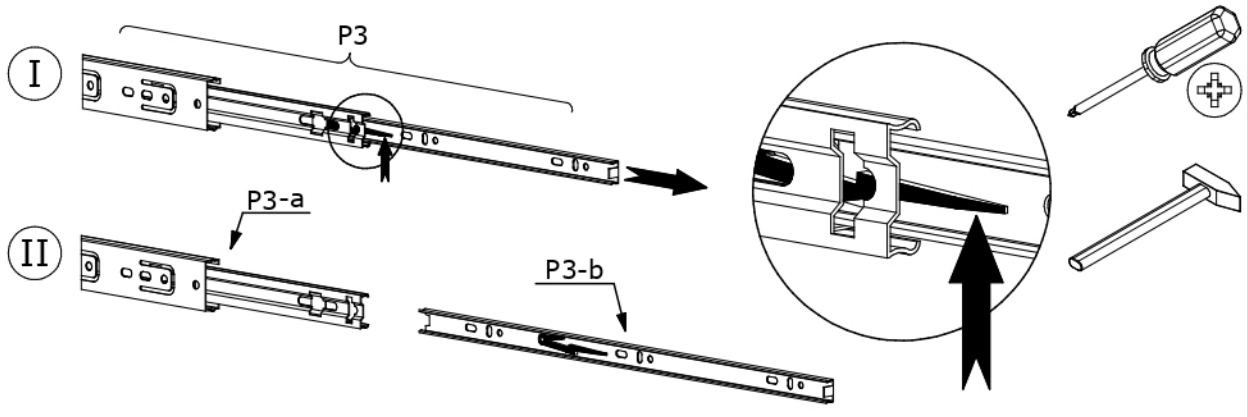


Ø35mm, 90°

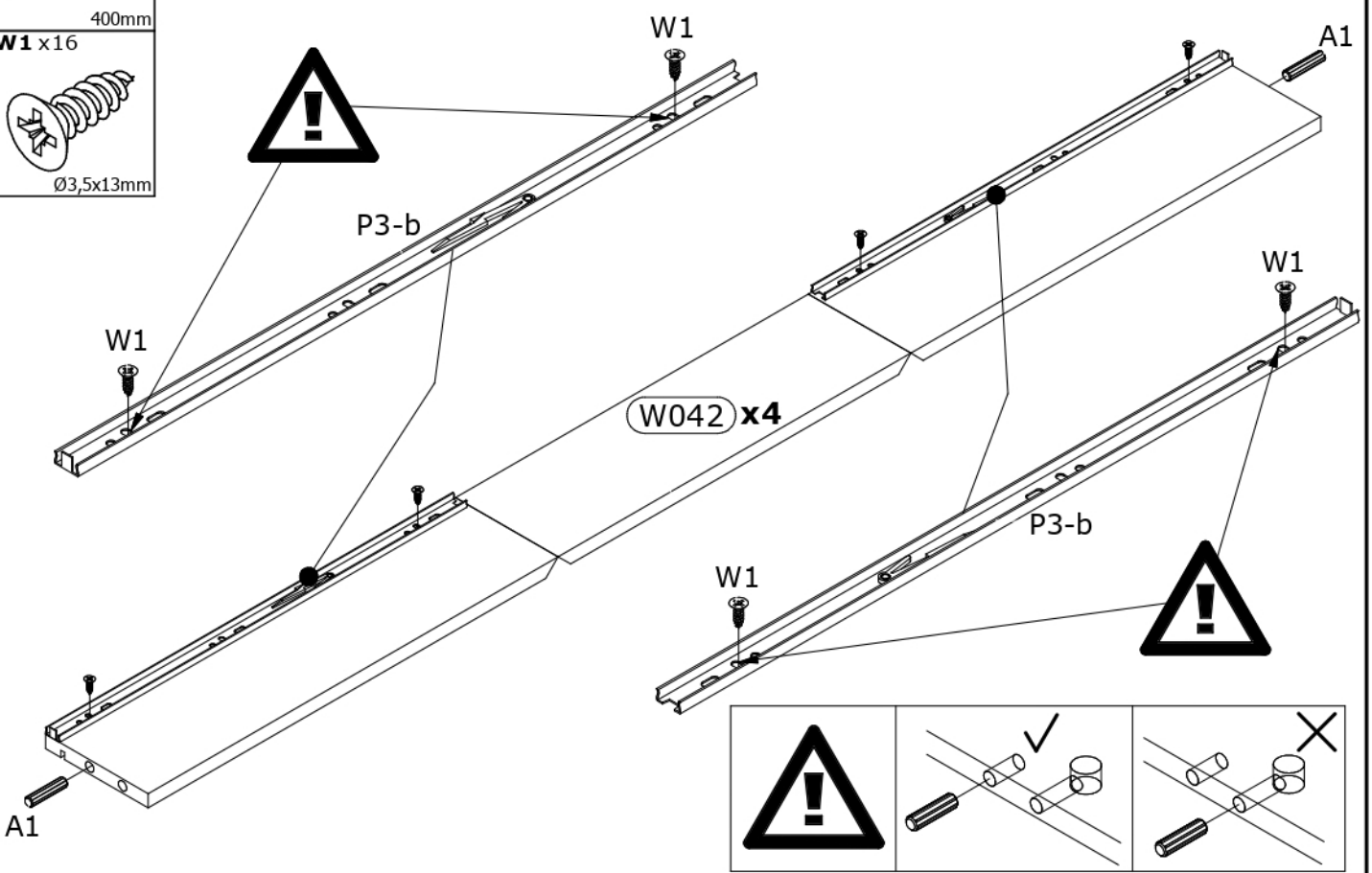


No	L[mm]	W[mm]	H[mm]	PCS	BOX
029	434	395	18	1	3/4
030	395	214	18	4	3/4
164	720	610	15	1	2/4
165	720	610	15	1	2/4
166	720	610	15	1	2/4
167	720	610	15	1	2/4
168	720	420	15	2	3/4
169	679	481	15	1	1/4
229	1601	670	36	1	1/4
339	595	420	15	2	1/4
413	419	60	15	2	3/4
533	400	330	2,5	4	1/4
644	720	50	22	1	3/4
645	720	50	22	3	3/4
646	720	50	22	2	3/4
W042	1144	100	12	4	1/4

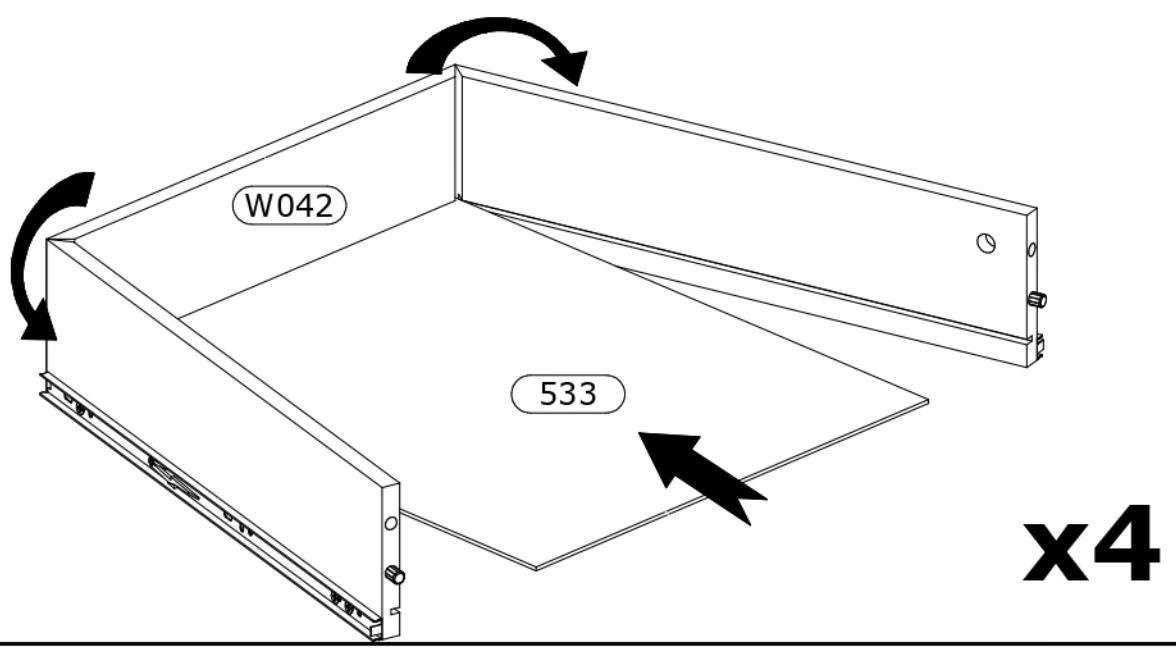
1



- A1 x 8
Ø8x35mm
- P3 x 8
400mm
- W1 x 16
Ø3,5x13mm

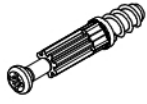


2

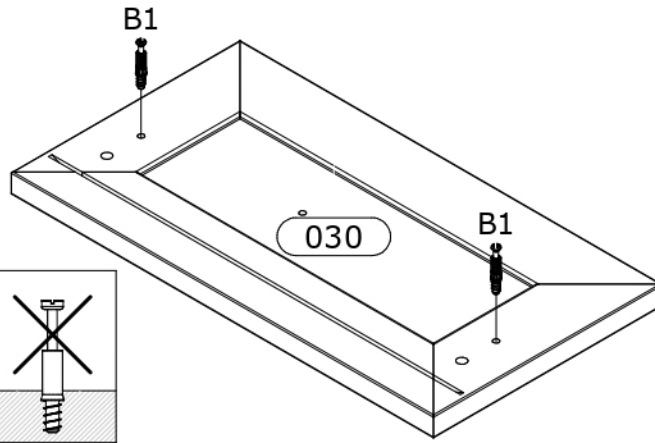


3

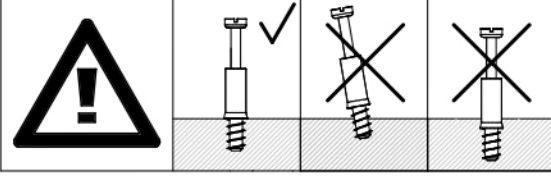
B1 x8



Ø5x38mm

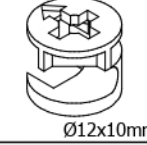


x4

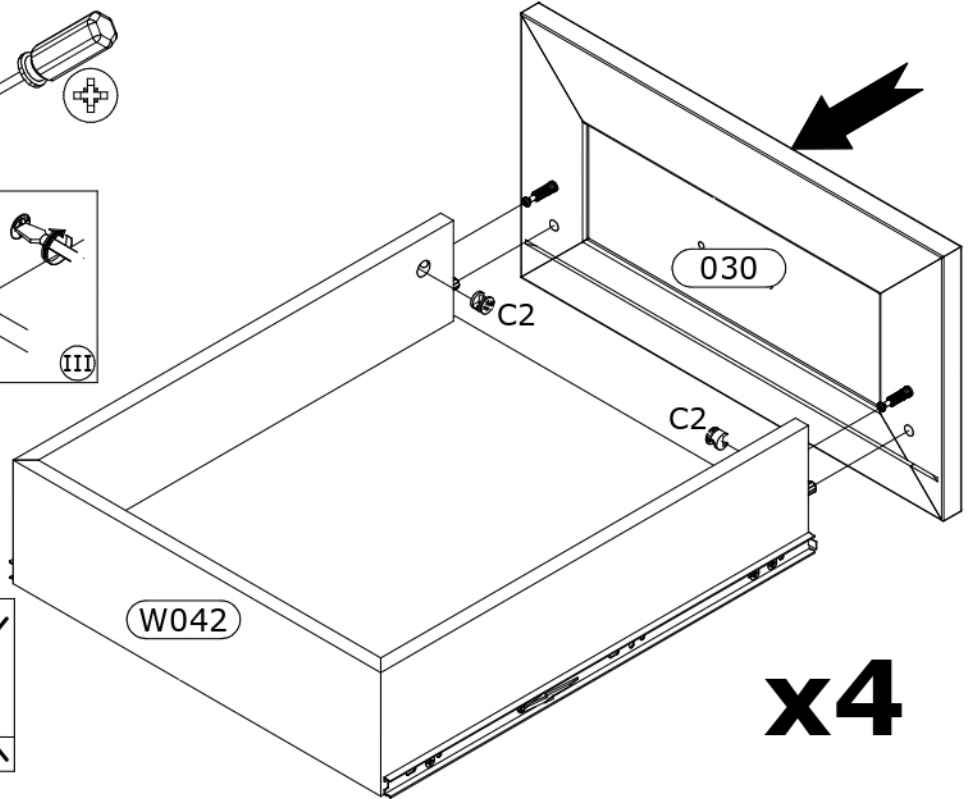
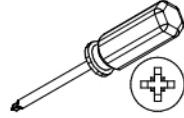


4

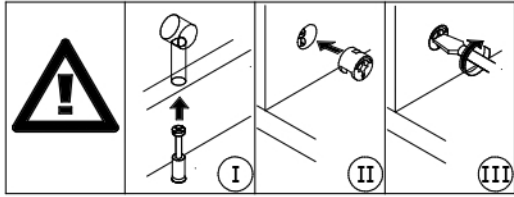
C2 x8



Ø12x10mm



x4



5

J1 x8



Ø21mm

U3 x4

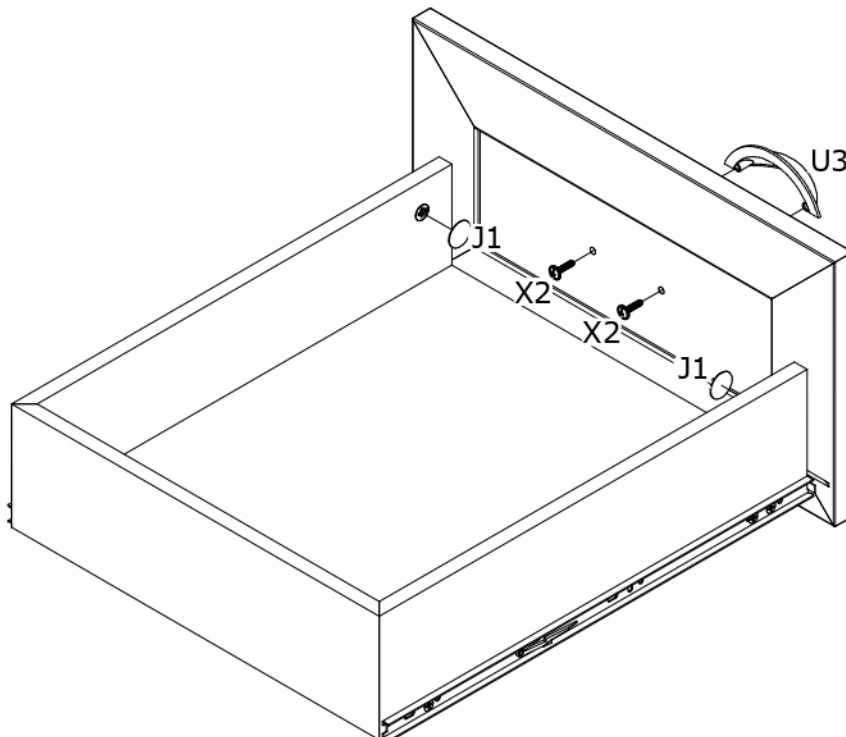


92x33mm

X2 x8



M4x16mm



x4

6

W2 x 4



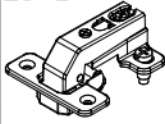
Ø3,5x16mm

Y1 x 2



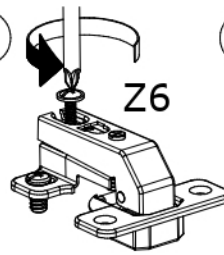
Ø8x1,5mm

Z6 x 2

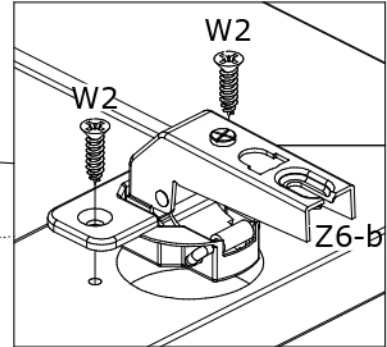
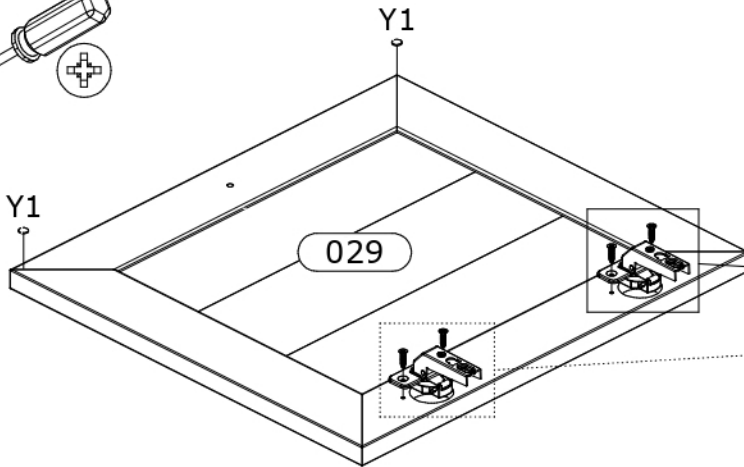
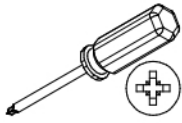
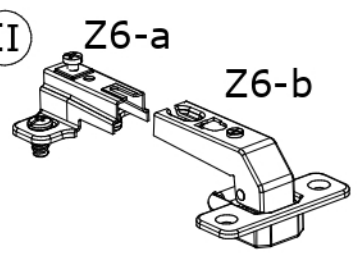


Ø35mm, 90°

I

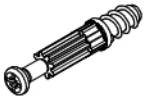


II

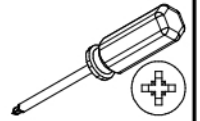
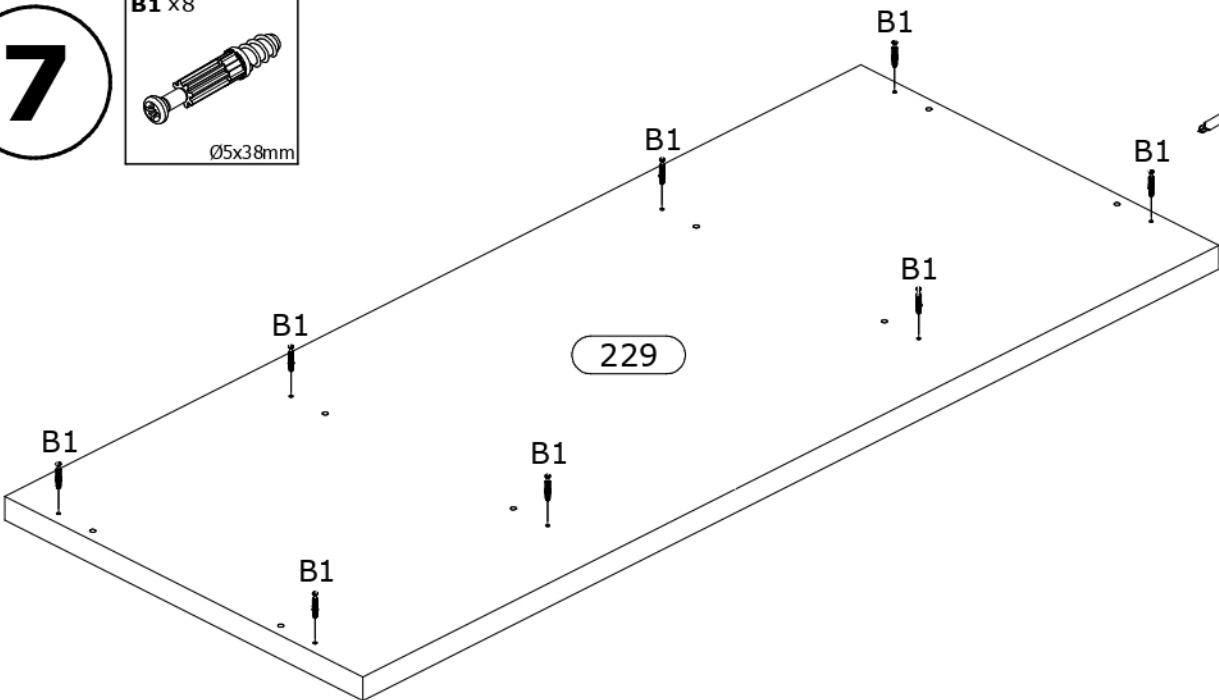


7

B1 x 8



Ø5x38mm

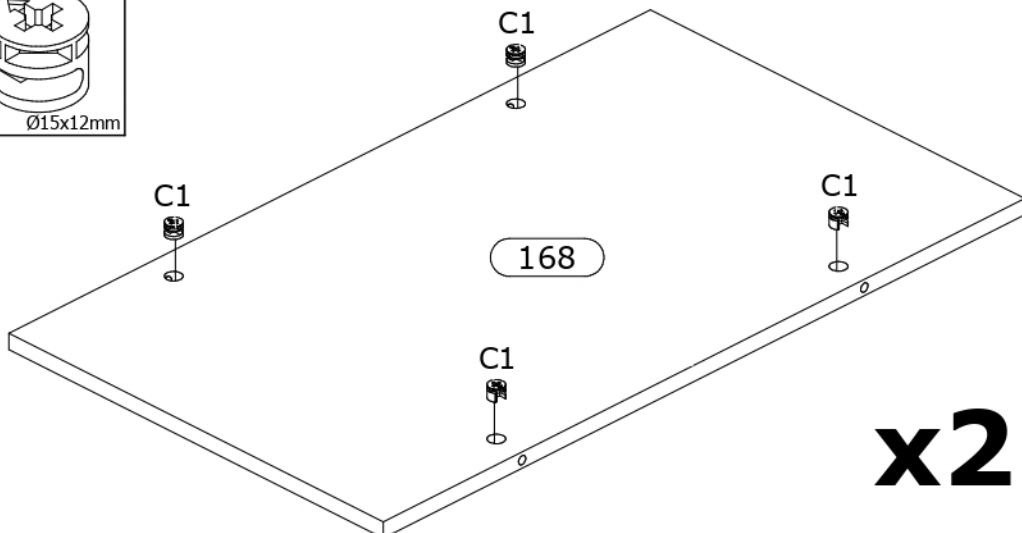


8

C1 x 8



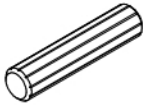
Ø15x12mm



x2

9

A1 x 8

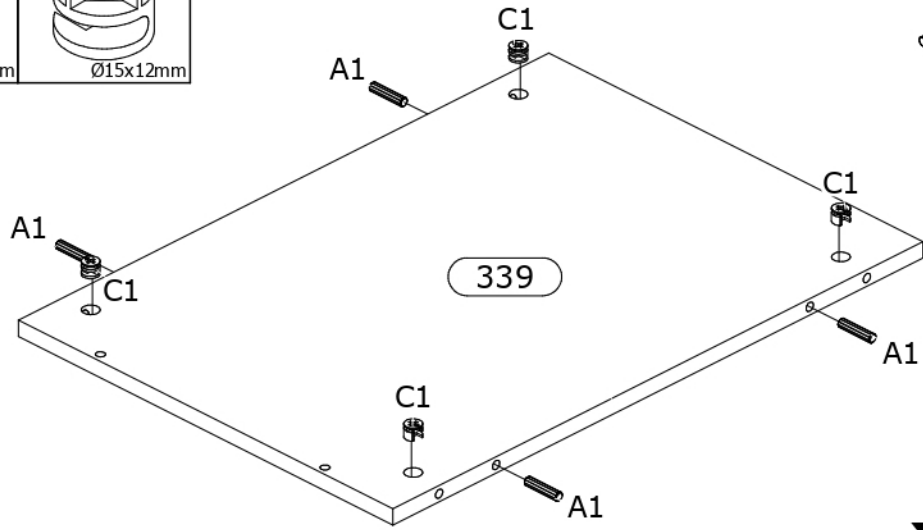


Ø8x35mm

C1 x 8



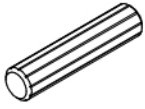
Ø15x12mm



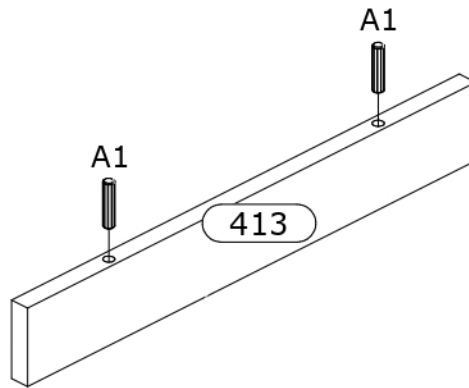
x2

10

A1 x 4



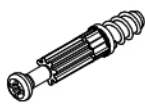
Ø8x35mm



x2

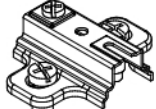
11

B1 x 12

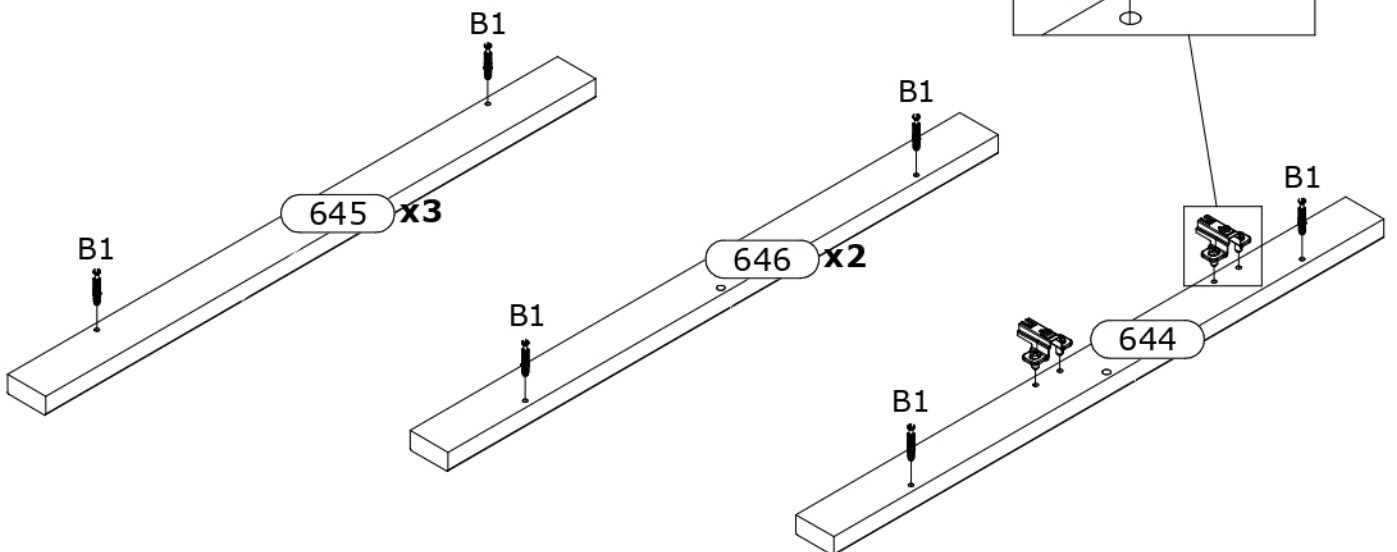
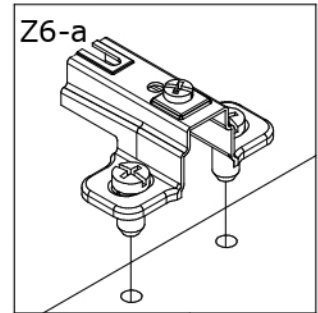
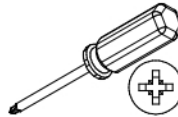


Ø5x38mm

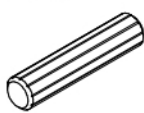
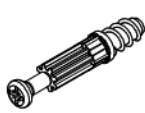

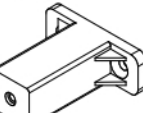

Z6-a x 2

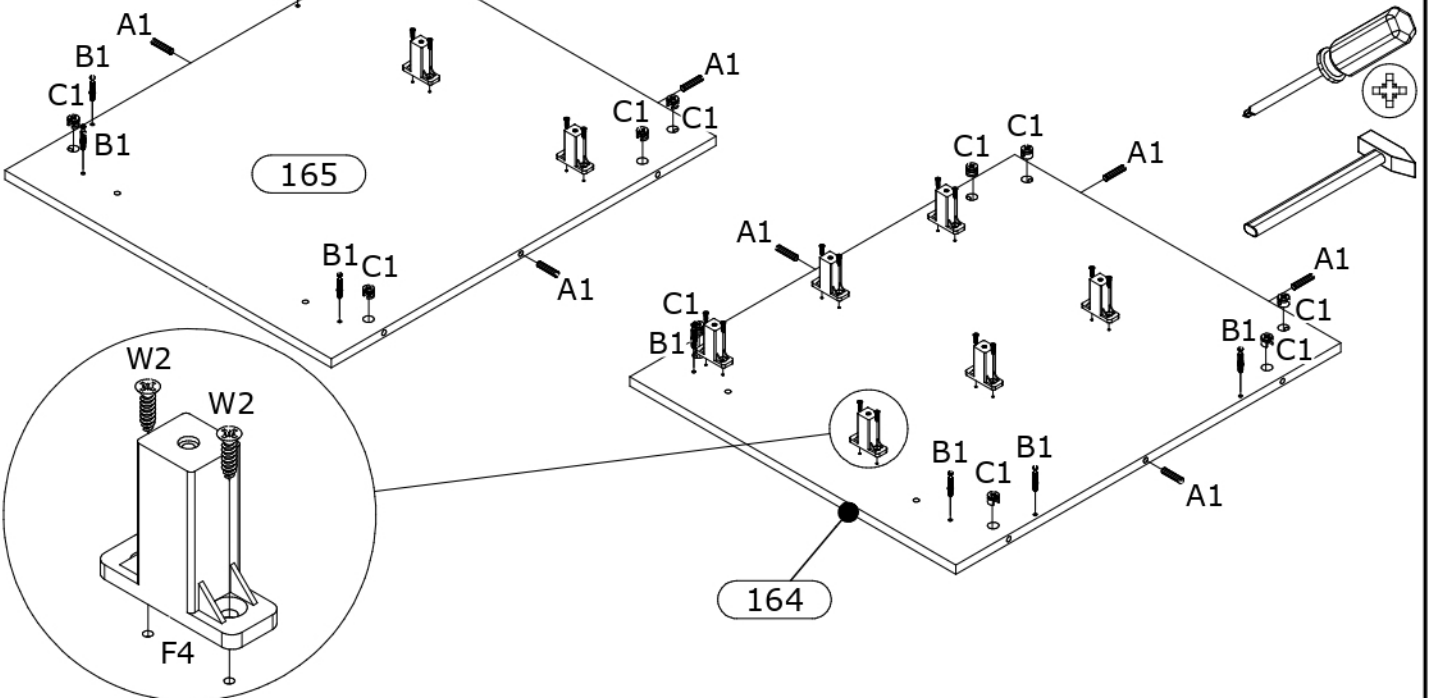


50x40, H=4





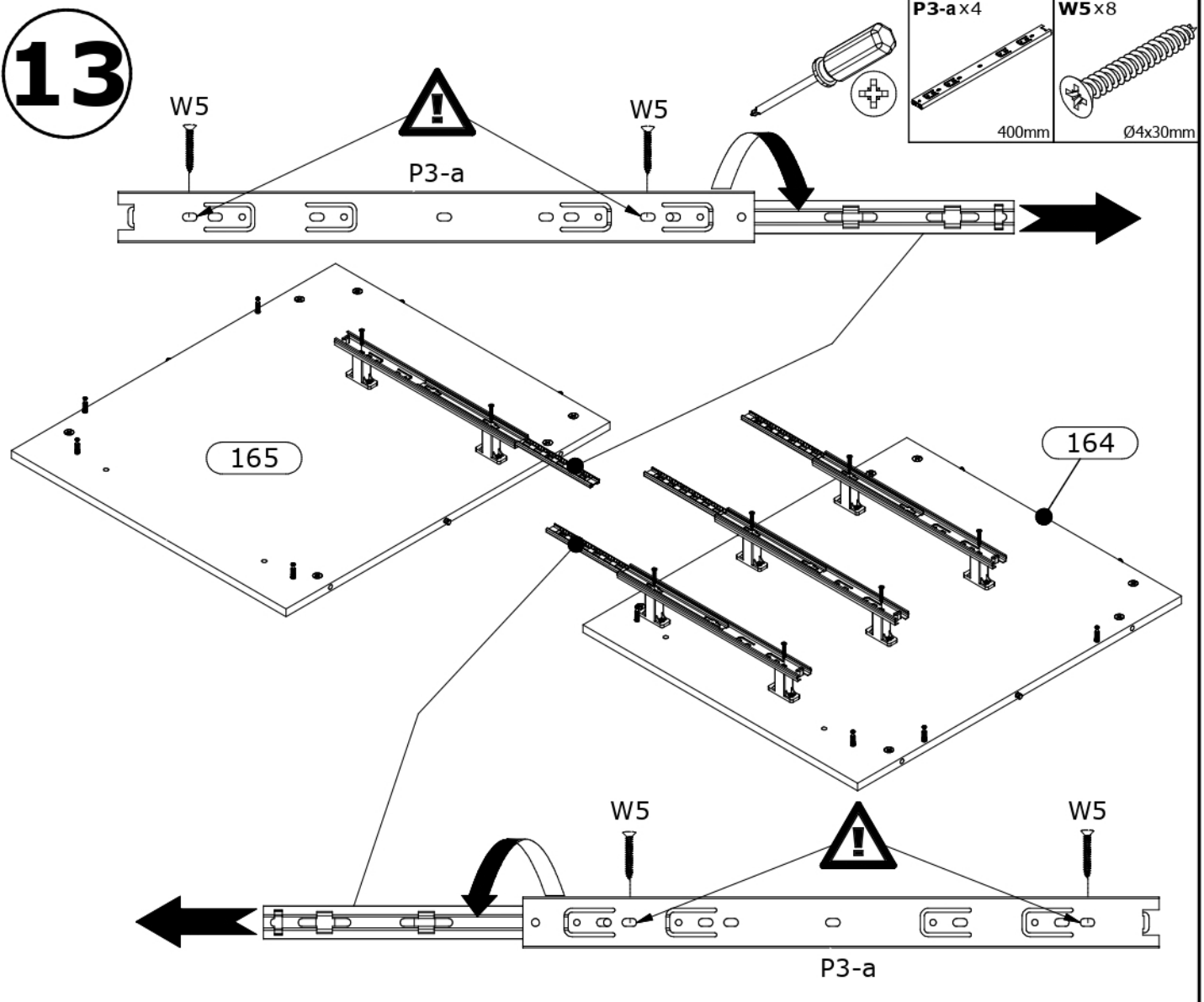
12

A1 x 8  Ø8x35mm	B1 x 8  Ø5x38mm	C1 x 12  Ø15x12mm	F4 x 8  53mm	W2 x 16  Ø3,5x16mm
---	---	---	--	--

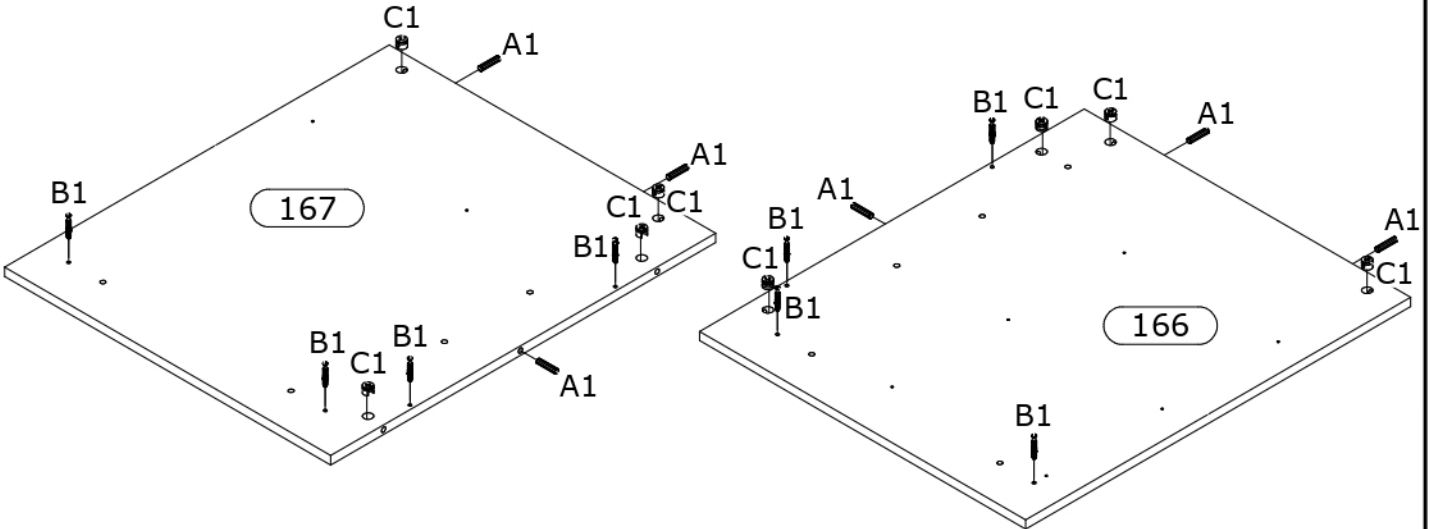
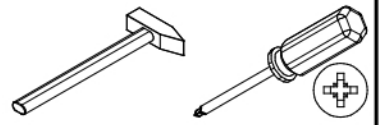
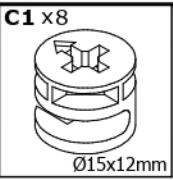
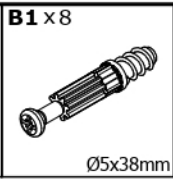
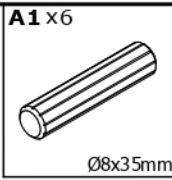


13

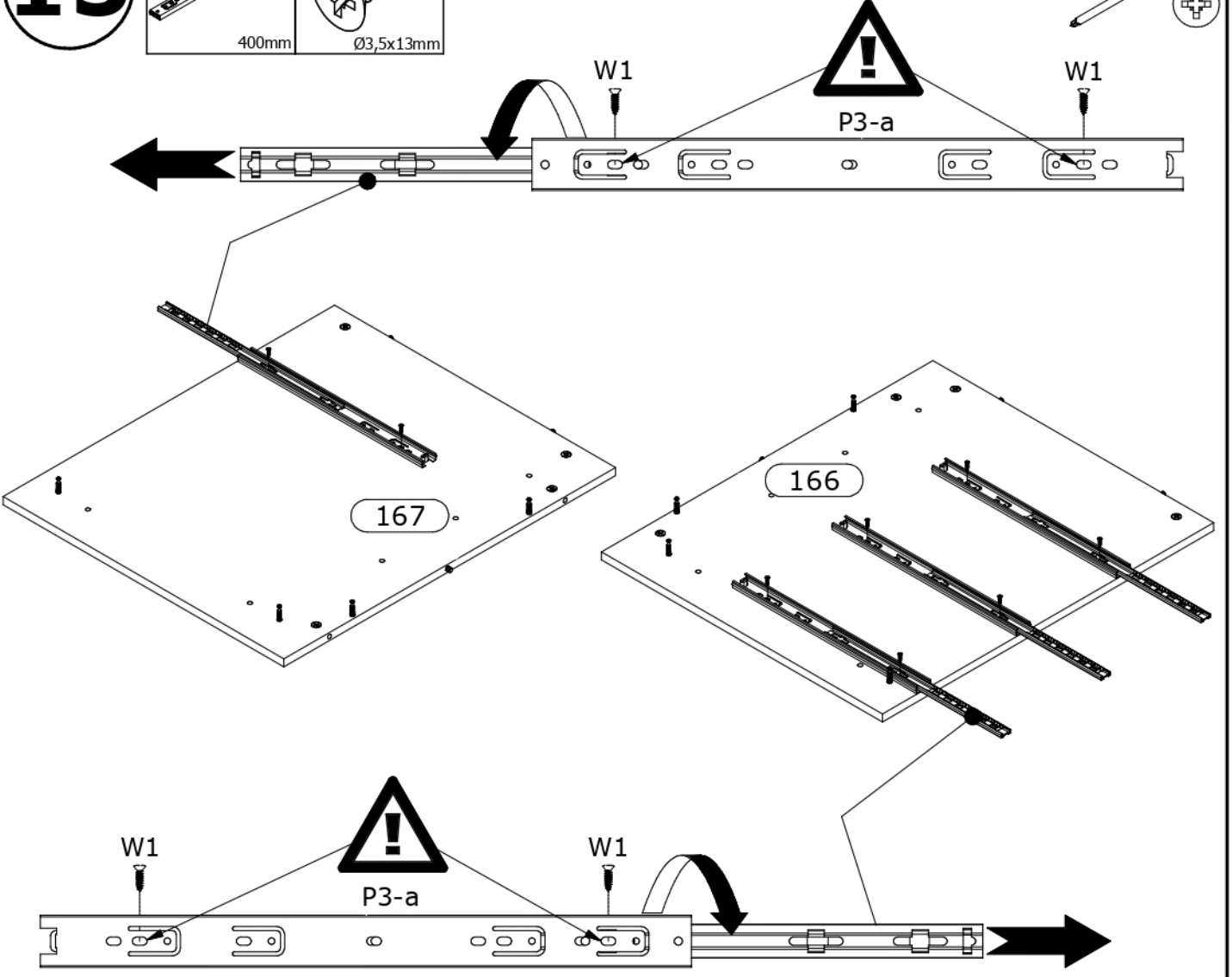
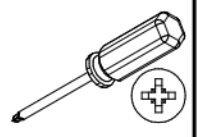
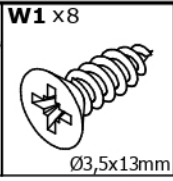
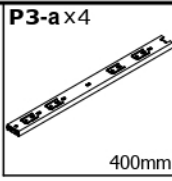
P3-a x 4  400mm	W5 x 8  Ø4x30mm
--	--

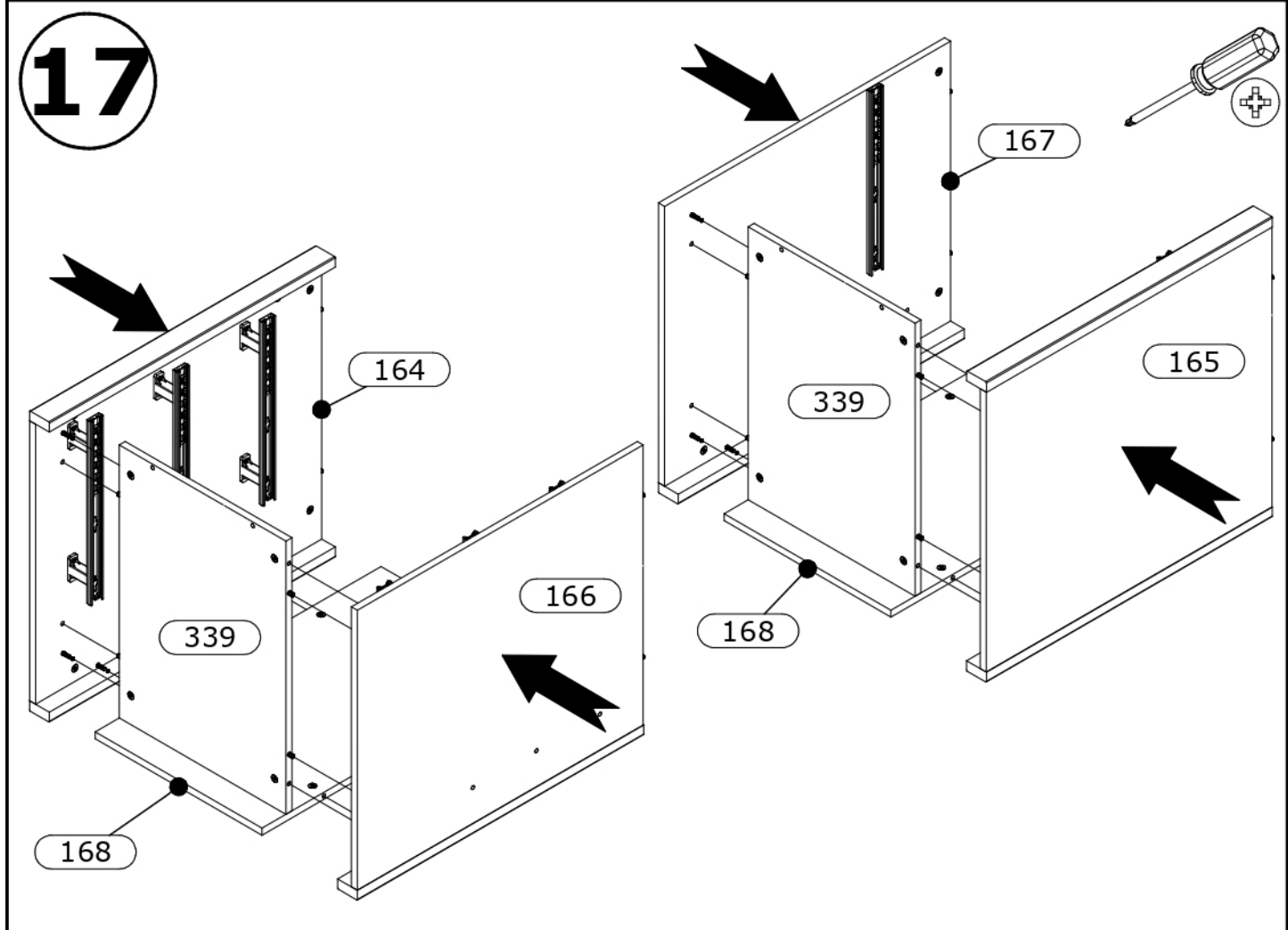
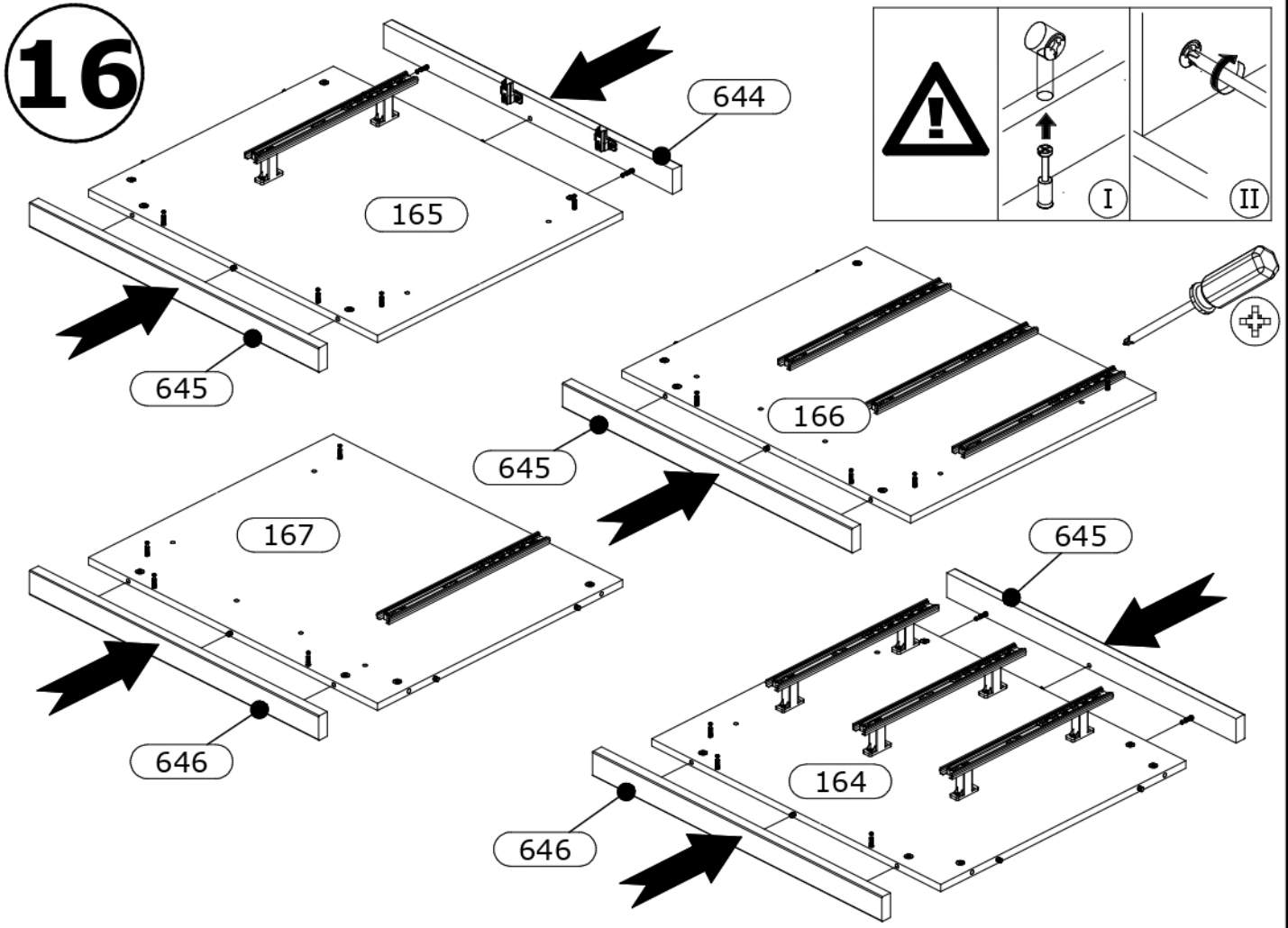


14

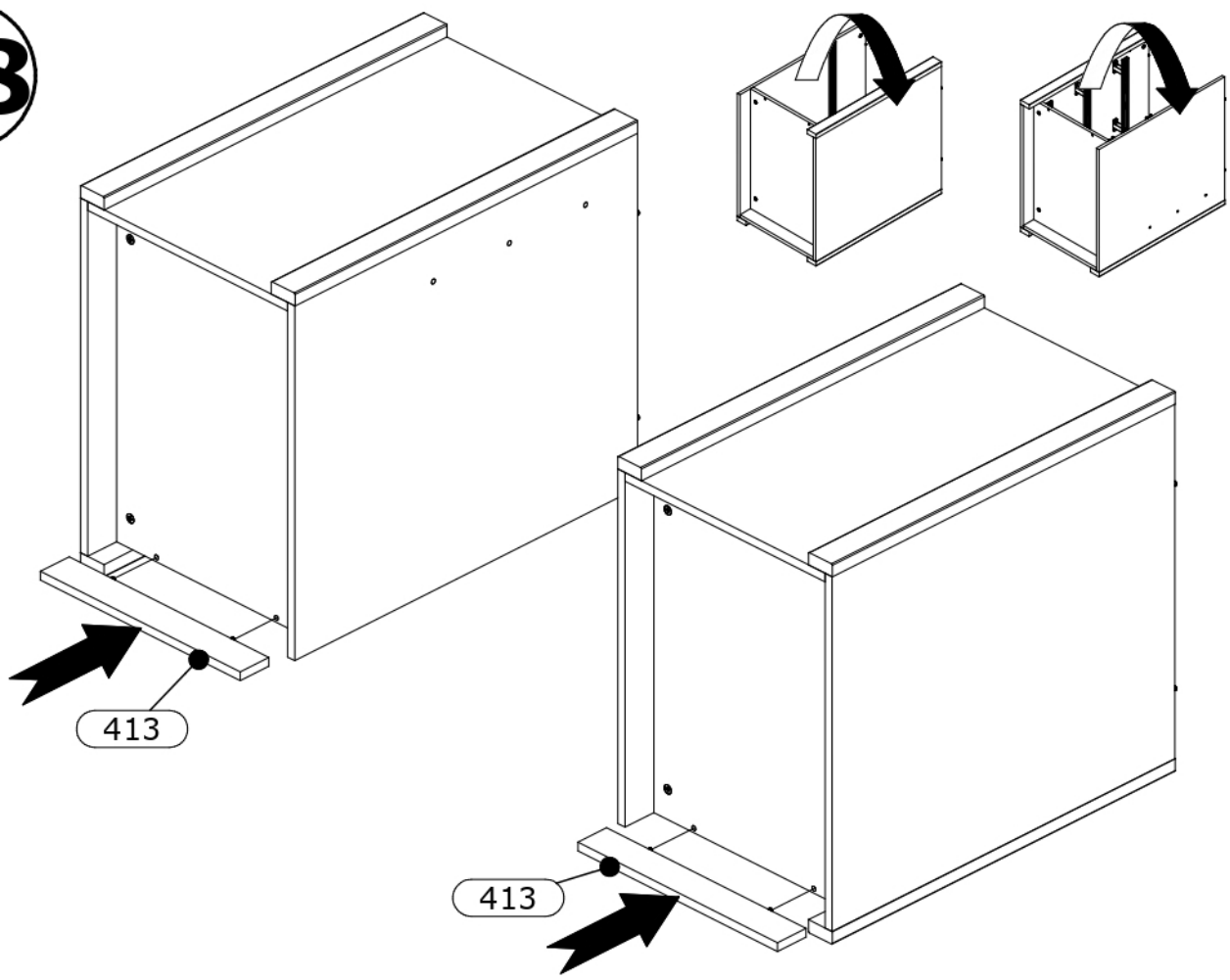


15



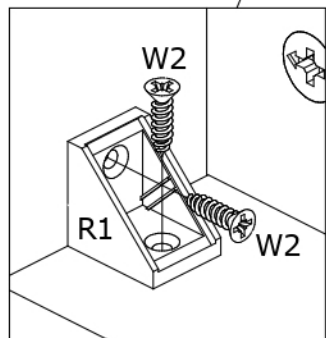
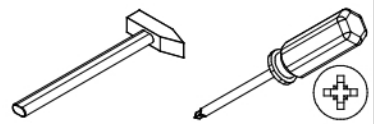
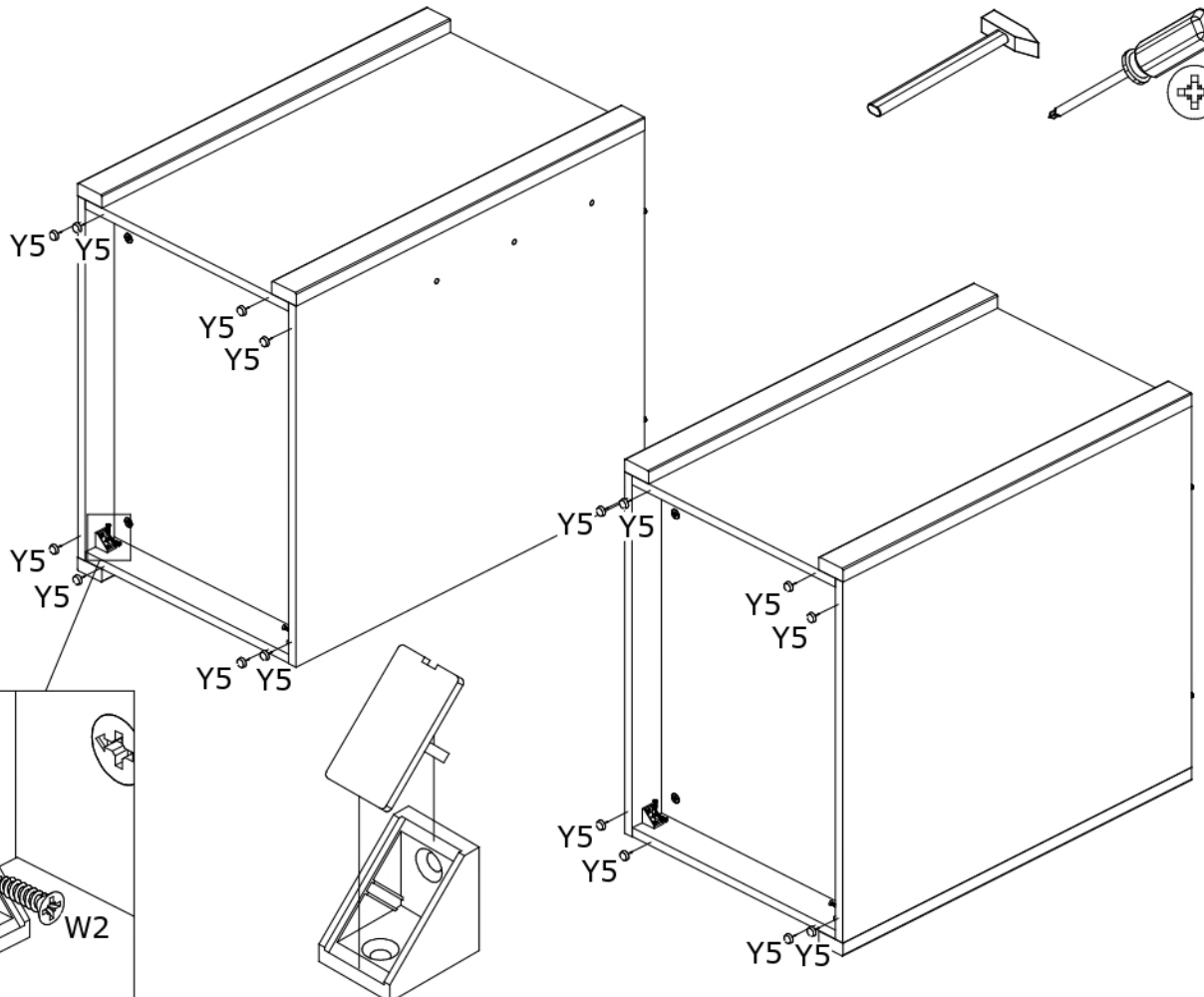


18



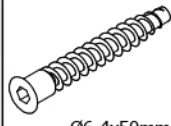
19

- R1 x 4**
24x24x19mm
- W2 x 8**
Ø3,5x16mm
- Y5 x 16**
Ø15x20mm



20

K1 x6

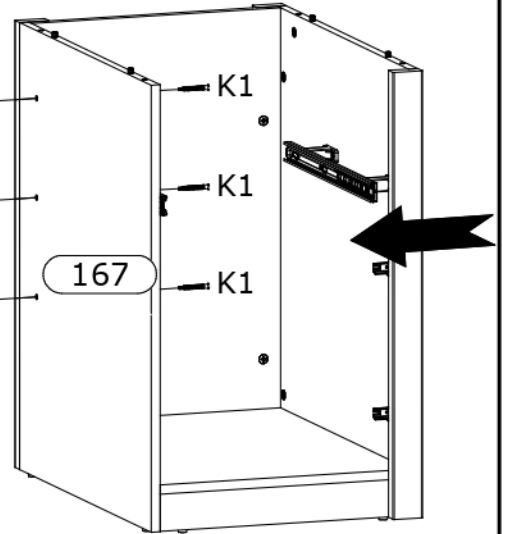
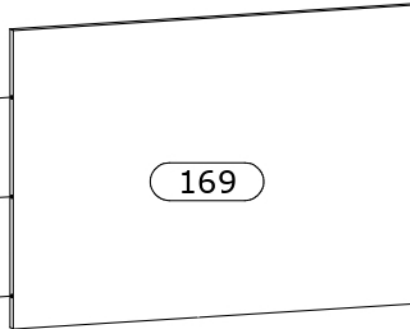
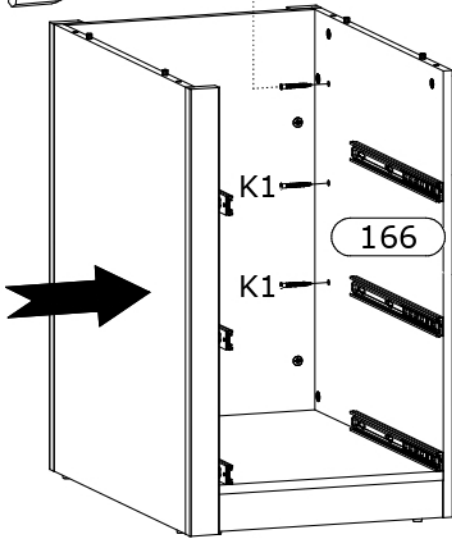
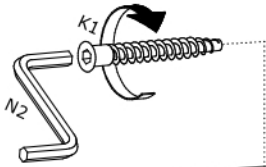
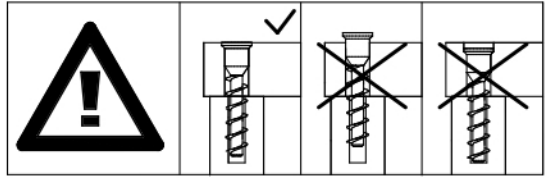


Ø6, 4x50mm

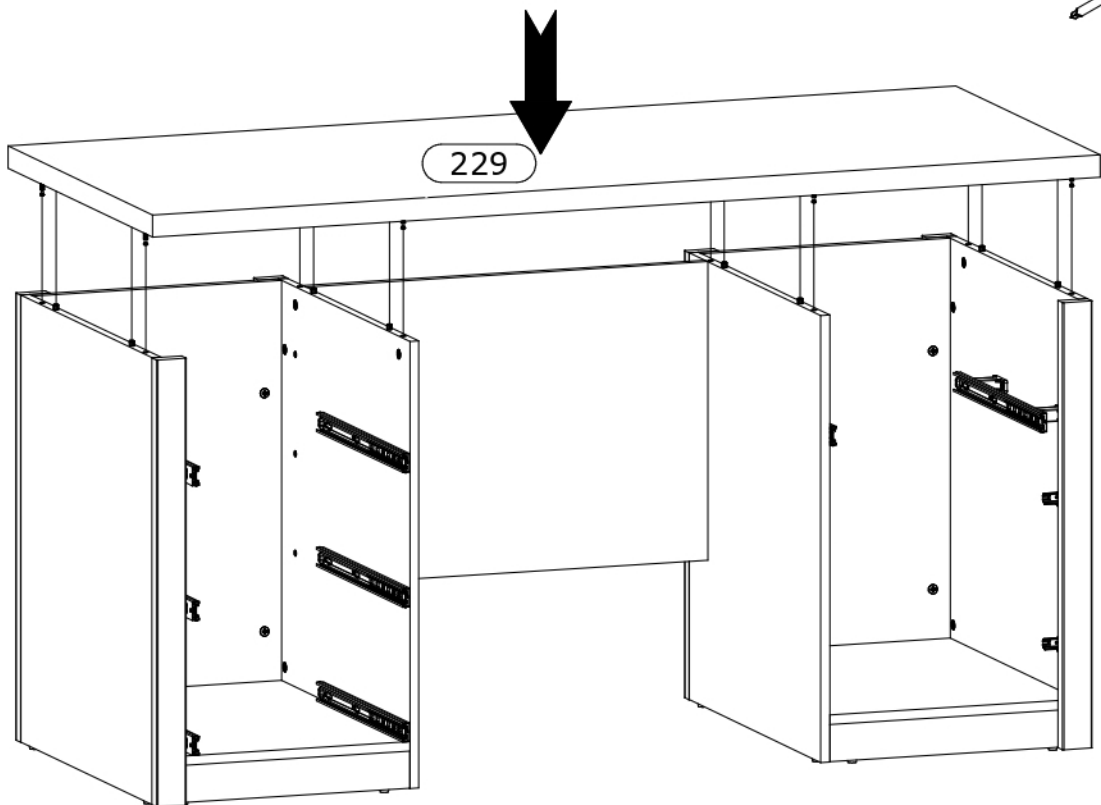
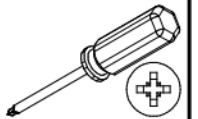
N2 x1



4mm HEX



21

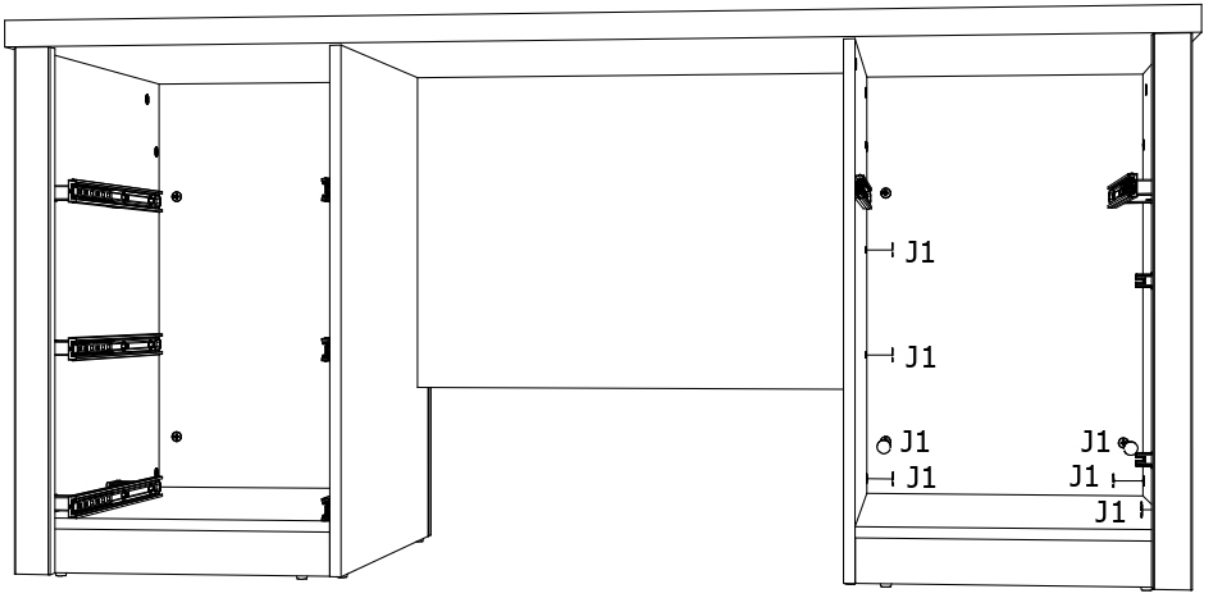


22

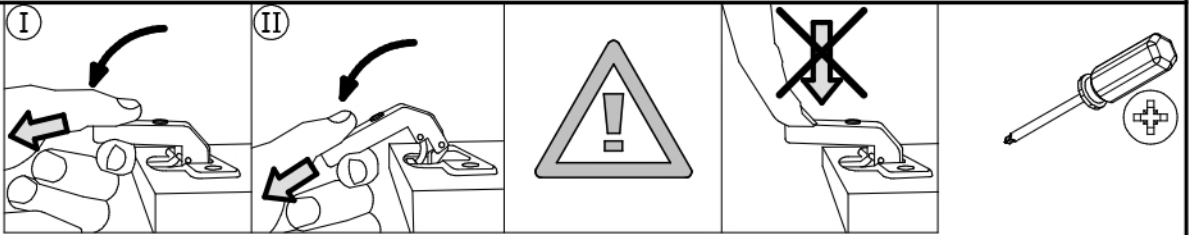
J1 x7



Ø21mm



23

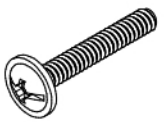


U1 x1

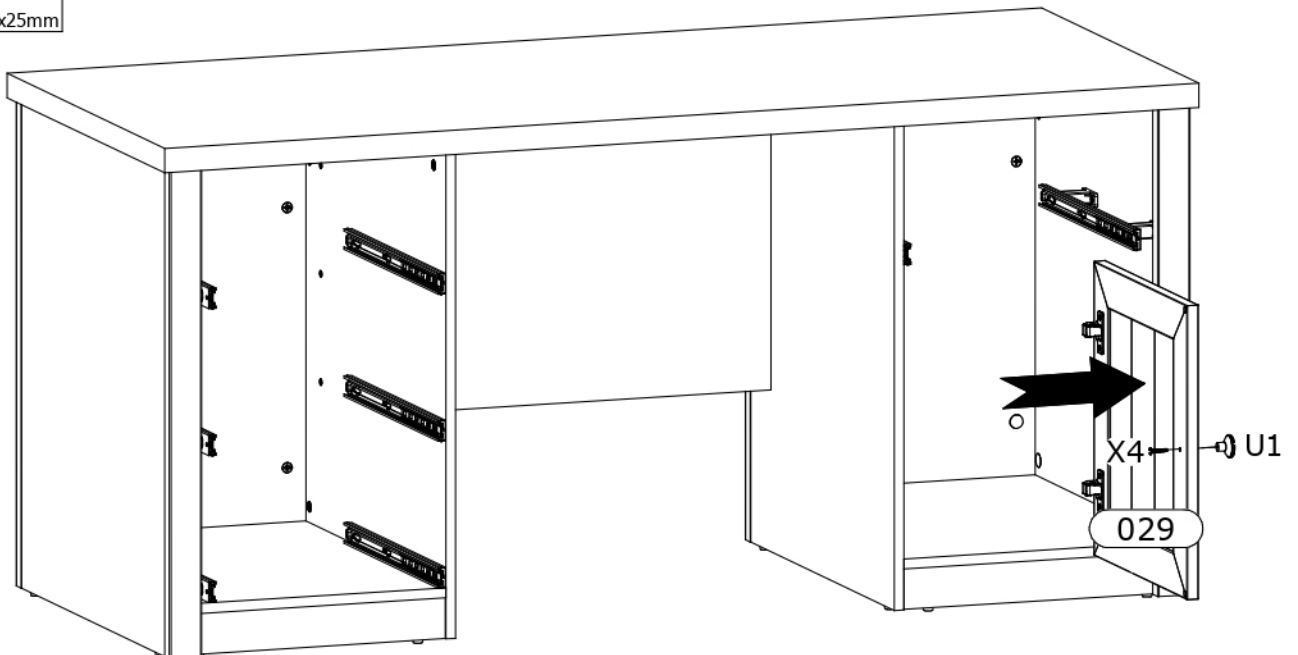
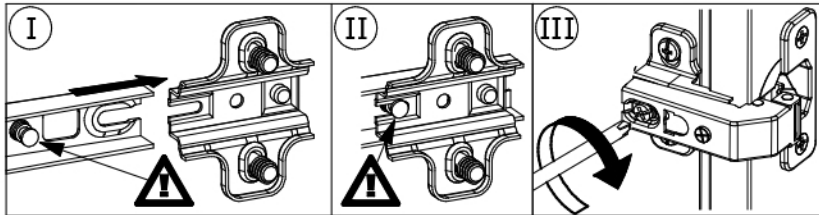


Ø33mm

X4 x1



M4x25mm

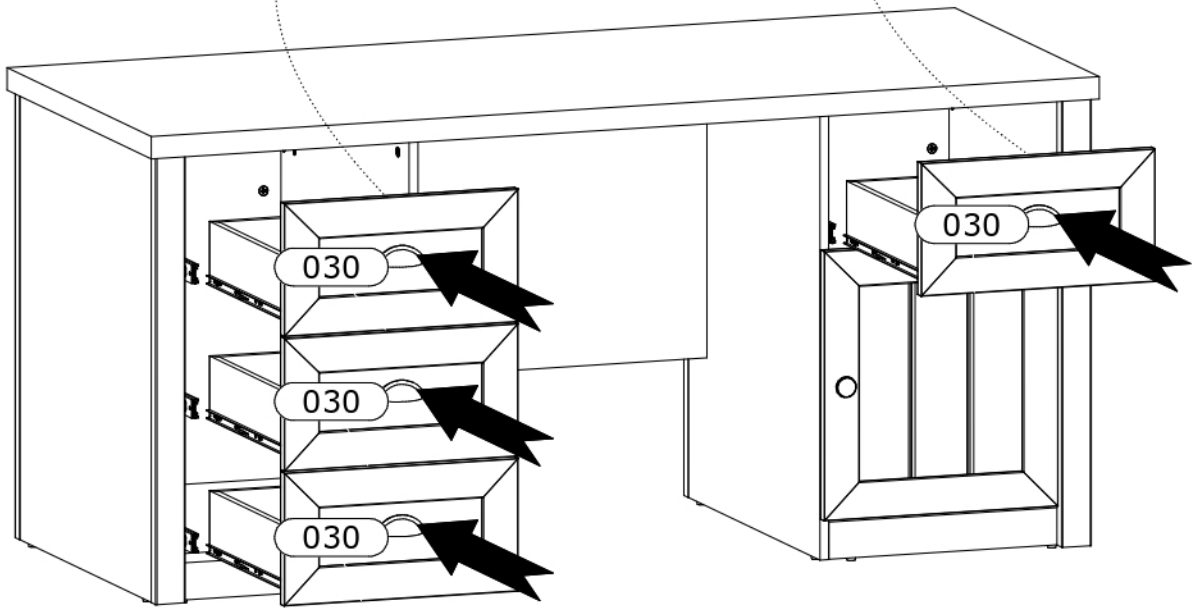
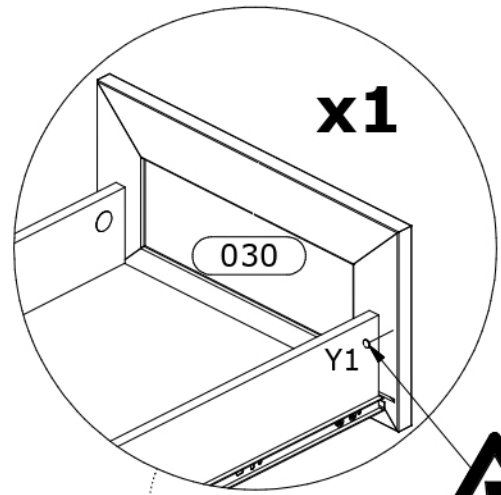
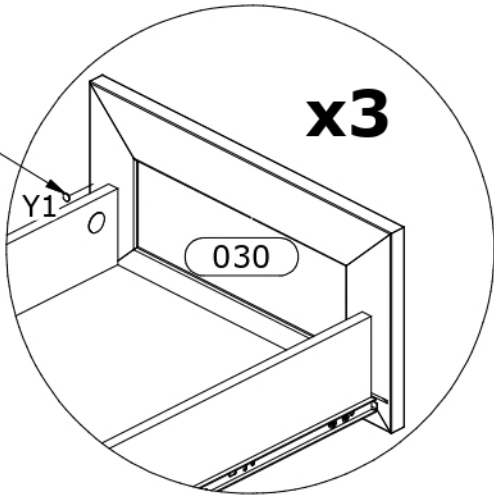


24

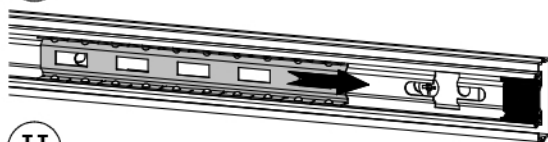
Y1 x4



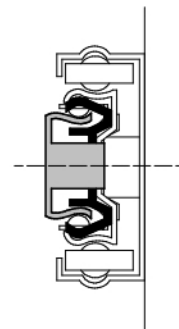
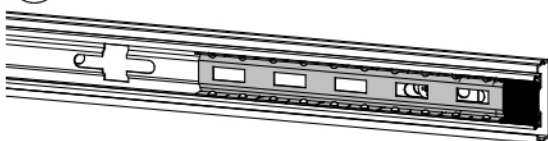
Ø8x1,5mm



I



II

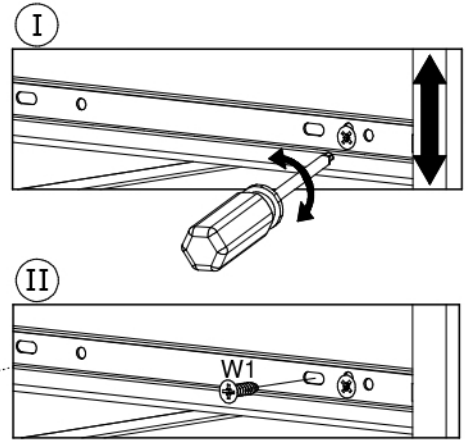
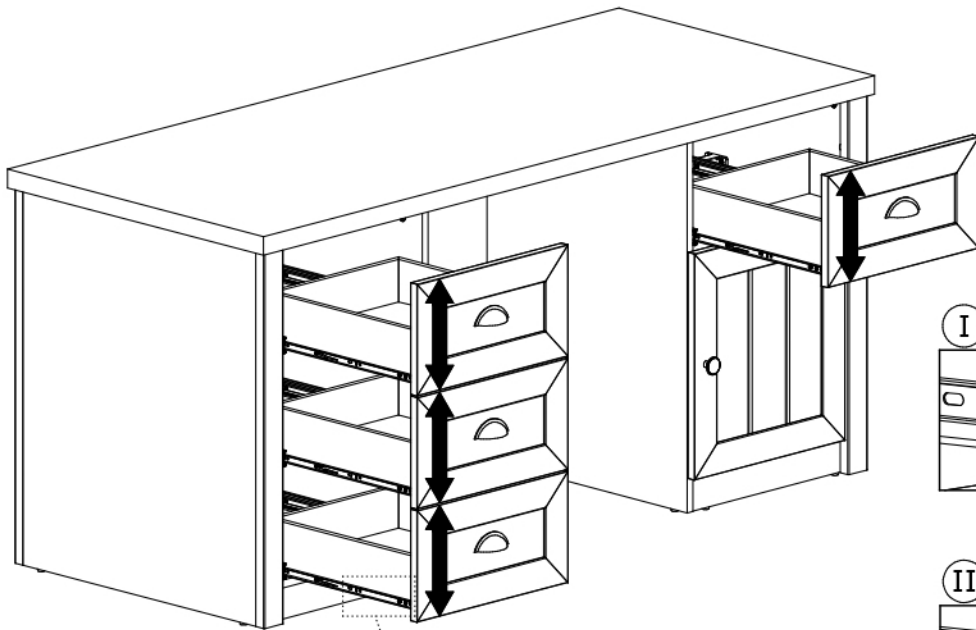
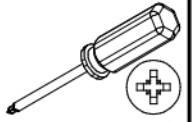


25

W1 x 8



Ø3,5x13mm



26

