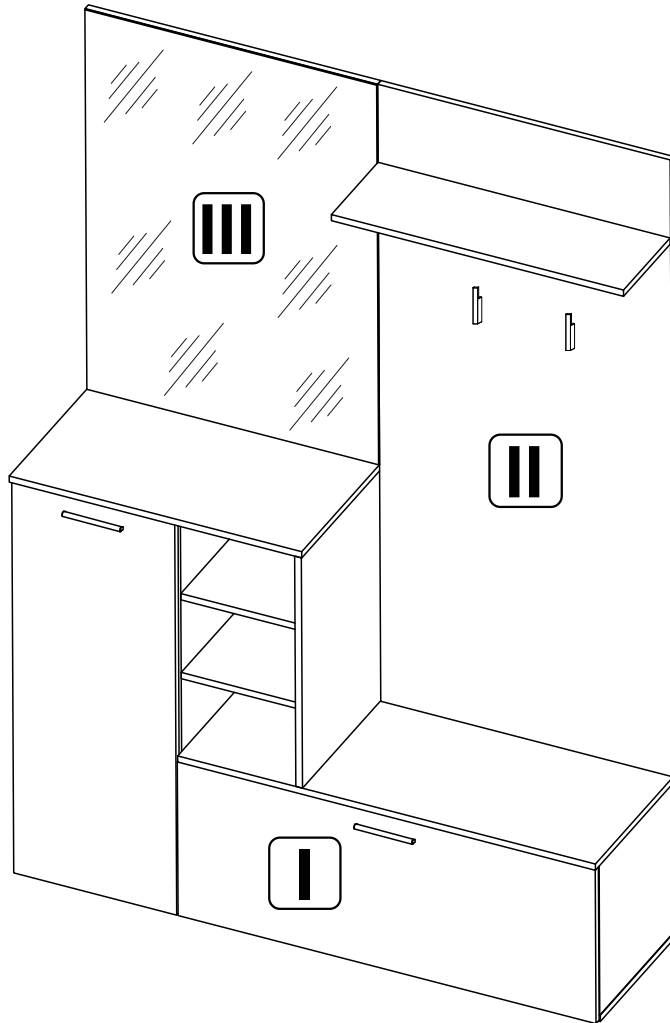
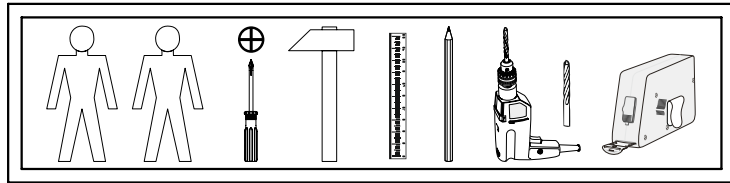
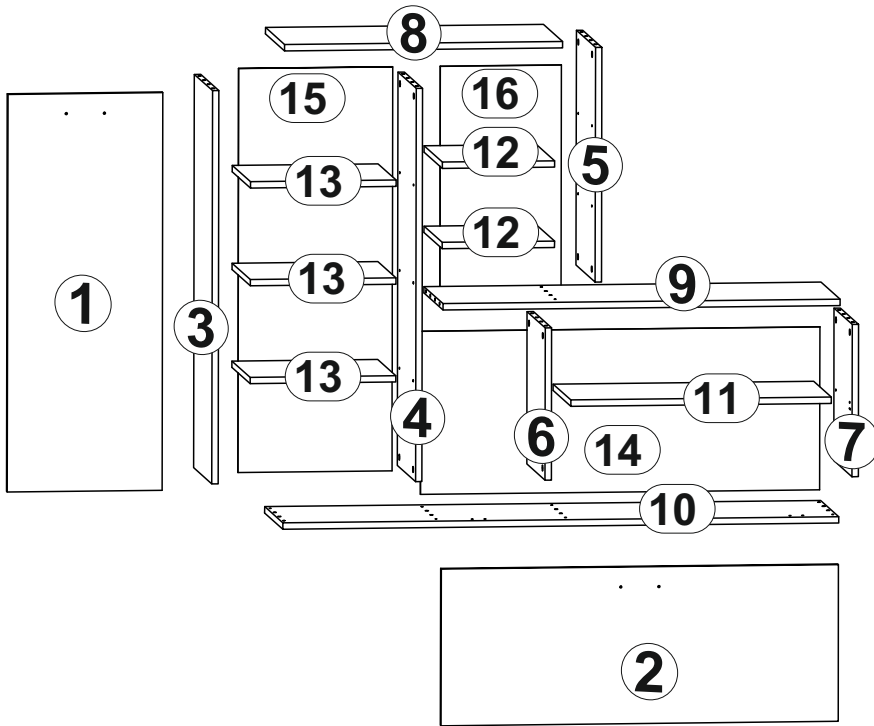


# Vetlanda



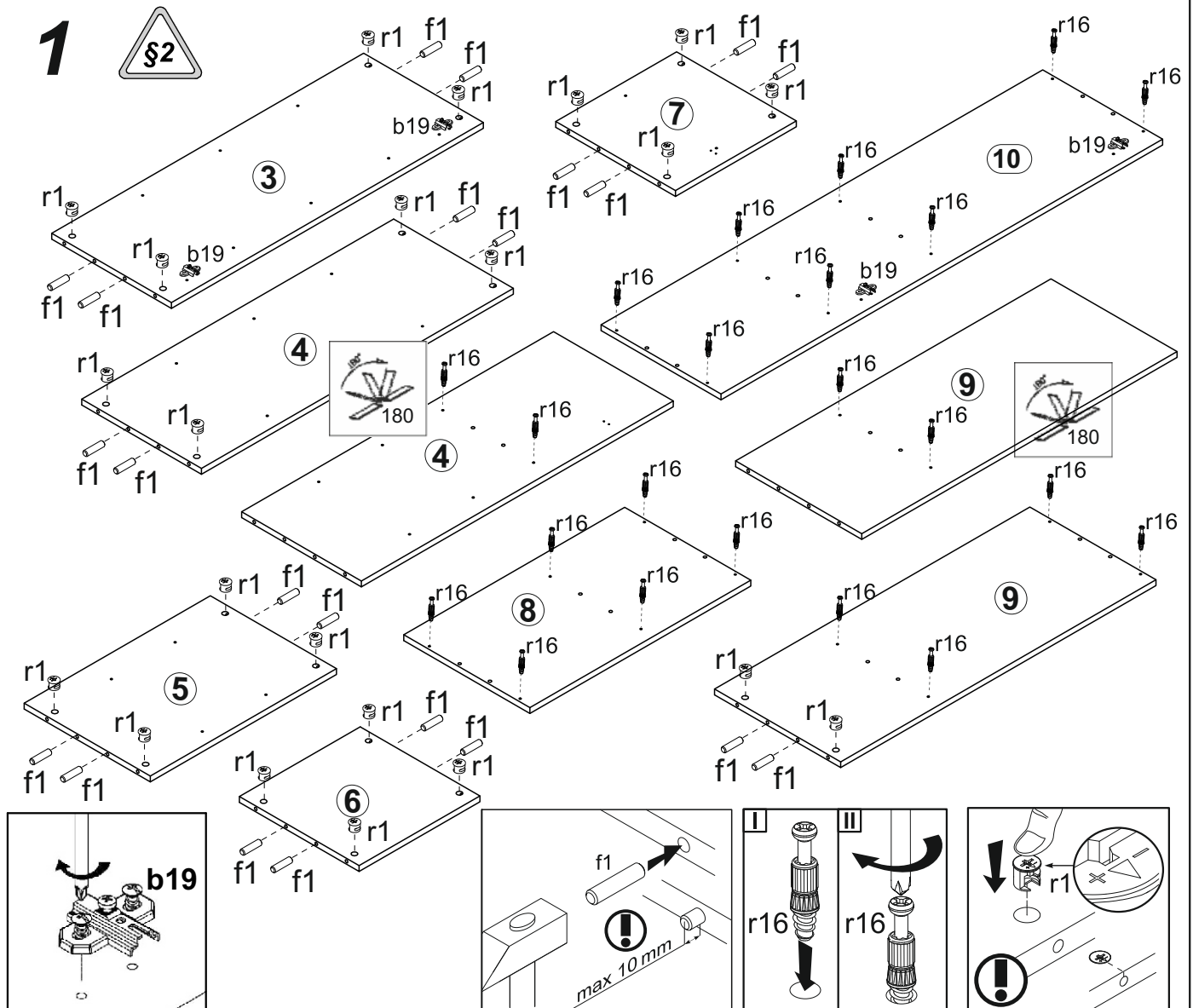
5x  60x60x25 mm <b>k55</b>	3x  φ7x50 mm <b>e1</b>	22x  φ15x12mm #16 <b>r1</b>	22x  20/9 <b>r16</b>	22x  φ16 <b>s2</b>	5x  32 mm <b>c325</b>	
4x  κ0 <b>a44</b>	24x  φ5x17 mm <b>d1</b>	10x  φ4x35 mm <b>p26</b>	1x  φ3,5x16 mm <b>p38</b>	4x  φ4x30 mm <b>p9</b>	50x  <b>l1</b>	
8x  φ3,5x15 mm <b>p51</b>	8x  φ3,5x13 mm <b>p1</b>	2x  L-230 <b>m48</b>	1x  <b>z1</b>	2x  <b>c235</b>	1x  <b>n26\1</b>	
8x  φ2,9x16 mm <b>p55</b>	8x  20x13x3,5/1 mm <b>n108</b>	10x  φ4x35 mm <b>p6</b>	4x  <b>b19</b>	24x  φ8x30 mm <b>f1</b>	2x  <b>g2</b>	
4x  φ5x11 mm <b>e4</b>			 x1		 x4	

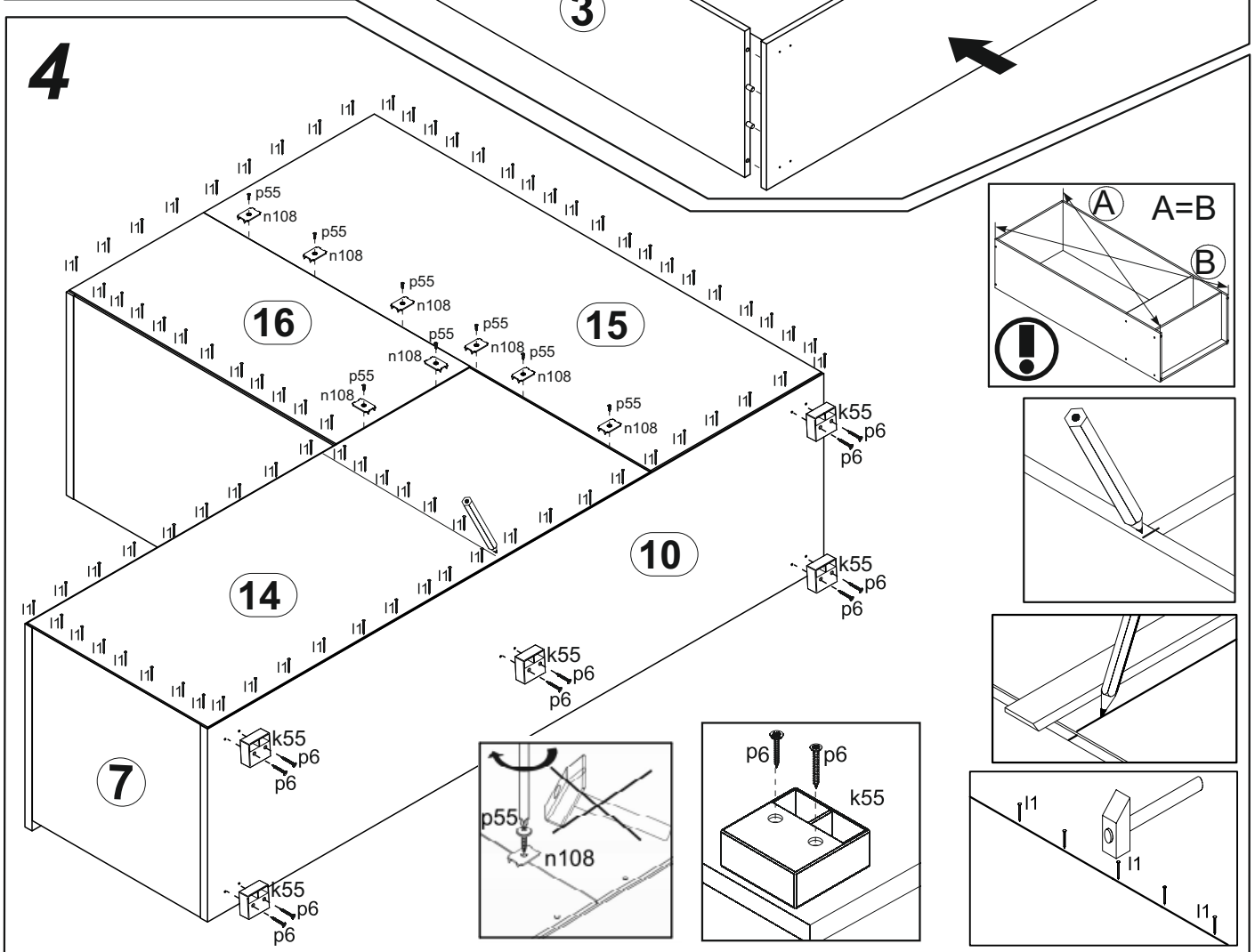
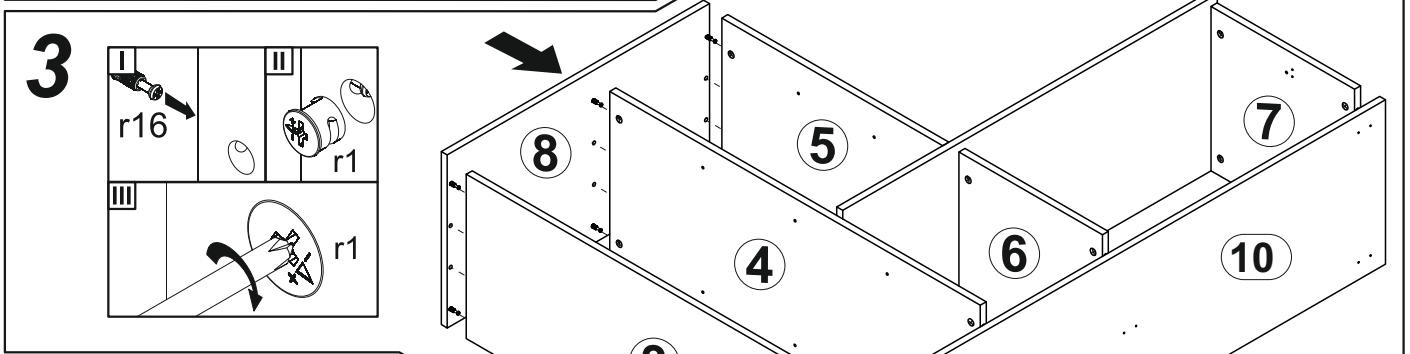
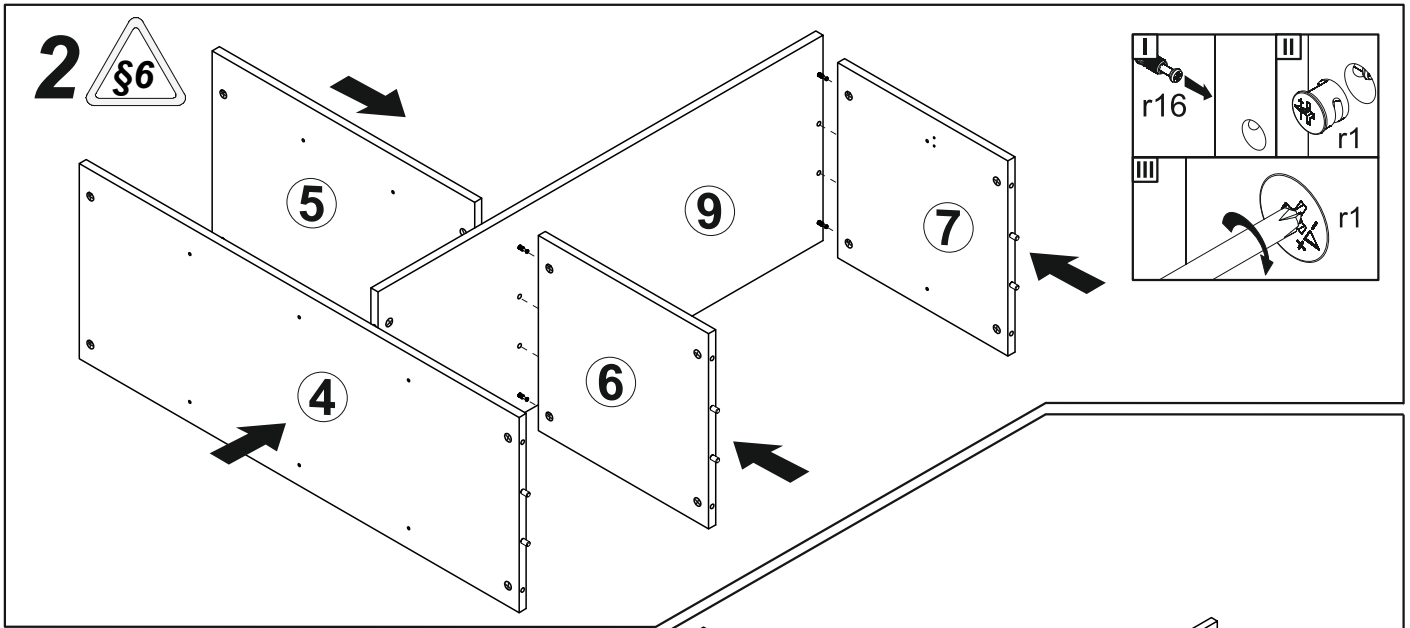
# I



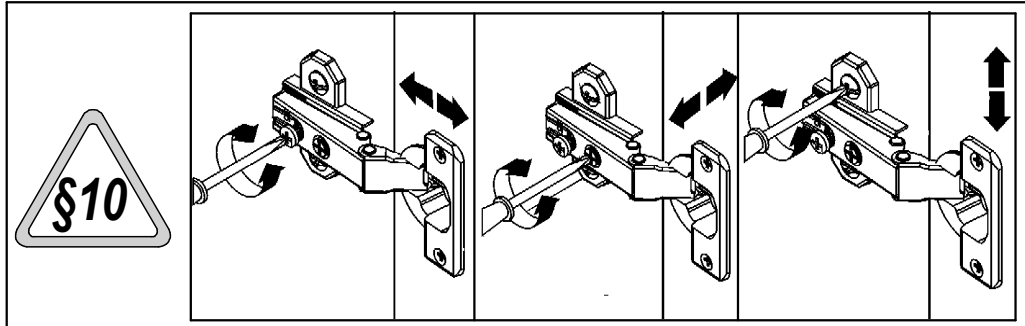
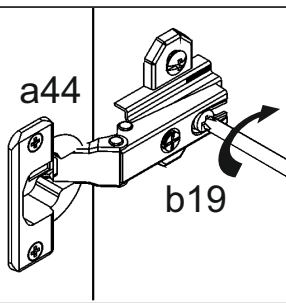
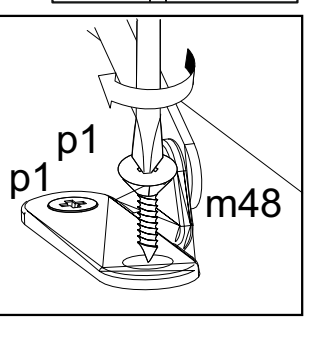
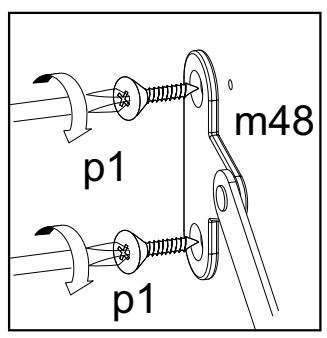
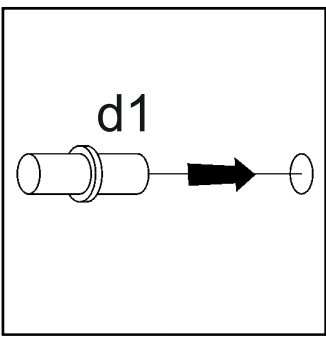
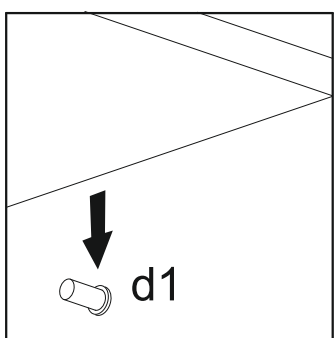
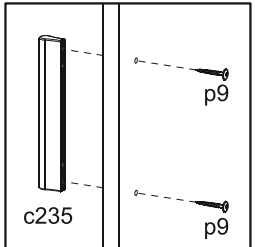
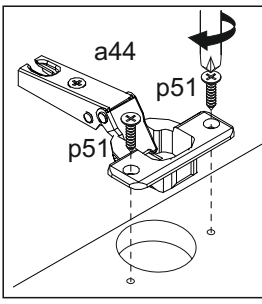
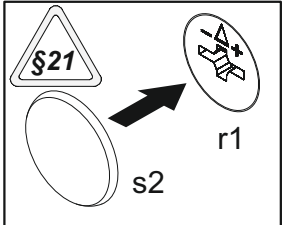
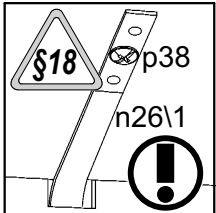
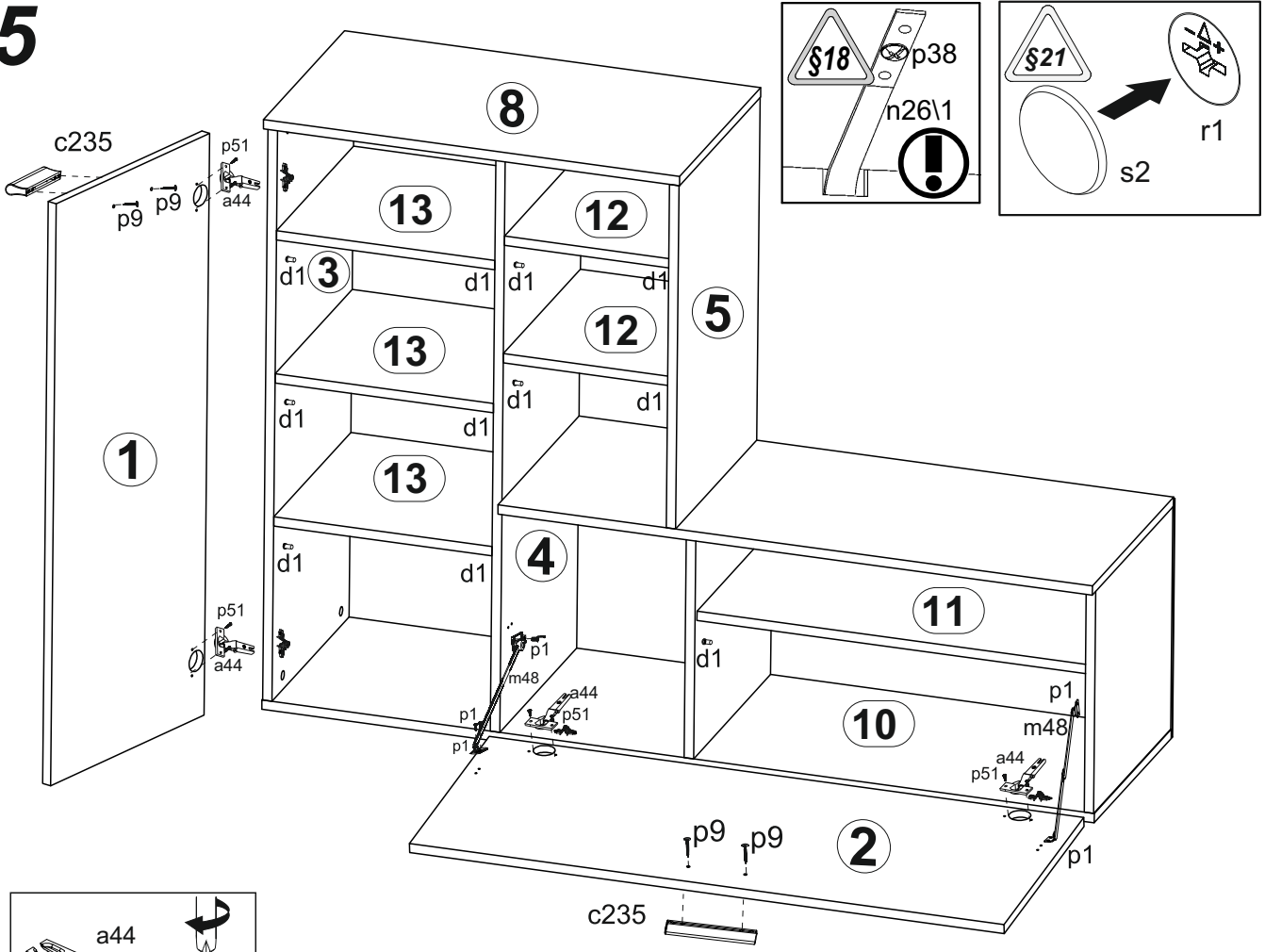
		§1		
A	B	C	D	
1	VL1-001	1000	393	2/2
2	VL1-002	997	393	2/2
3	VL1-104	989	380	2/2
4	VL1-101	989	380	2/2
5	VL1-103	590	400	2/2
6	VL1-105	383	380	2/2
7	VL1-102	383	380	2/2
8	VL1-201	700	400	1/2
9	VL1-202	1000	400	2/2
10	VL1-203	1400	380	2/2
11	VL1-304	656	370	1/2
12	VL1-301	283	380	2/2
13	VL1-303	367	380	2/2
14	VL1-901	1005	410	2/2
15	VL1-902	1016	388	2/2
16	VL1-903	606	305	2/2

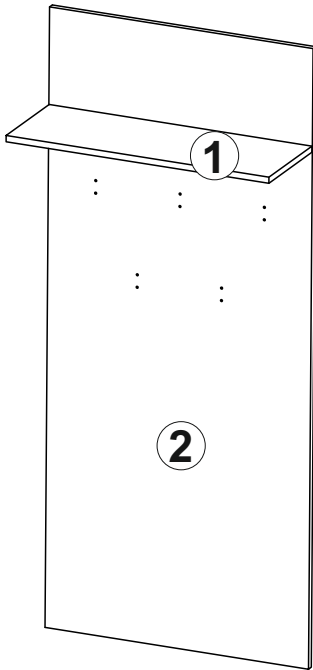
# 1



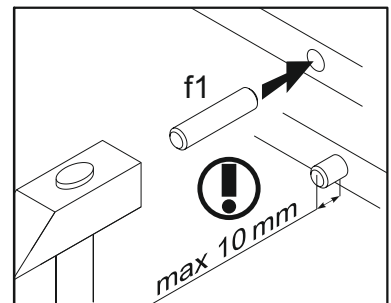
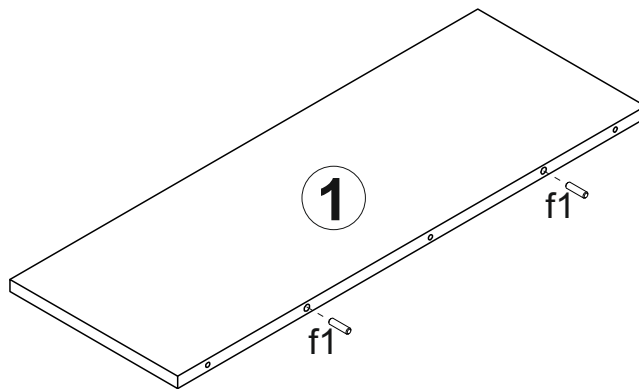
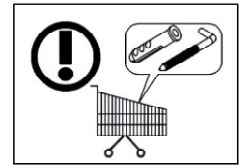


# 5

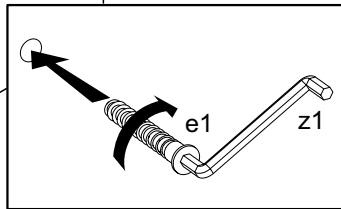
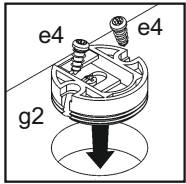
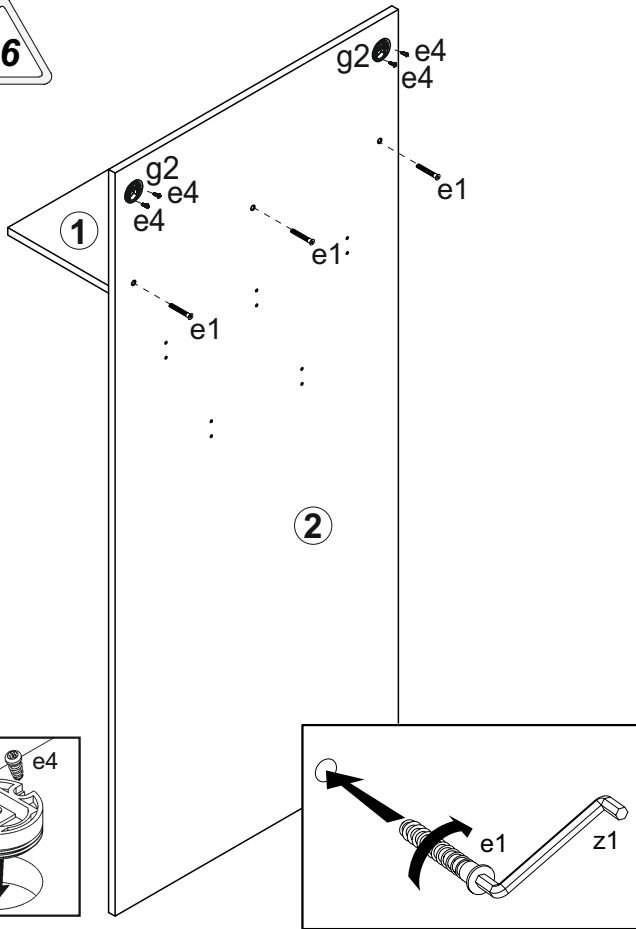




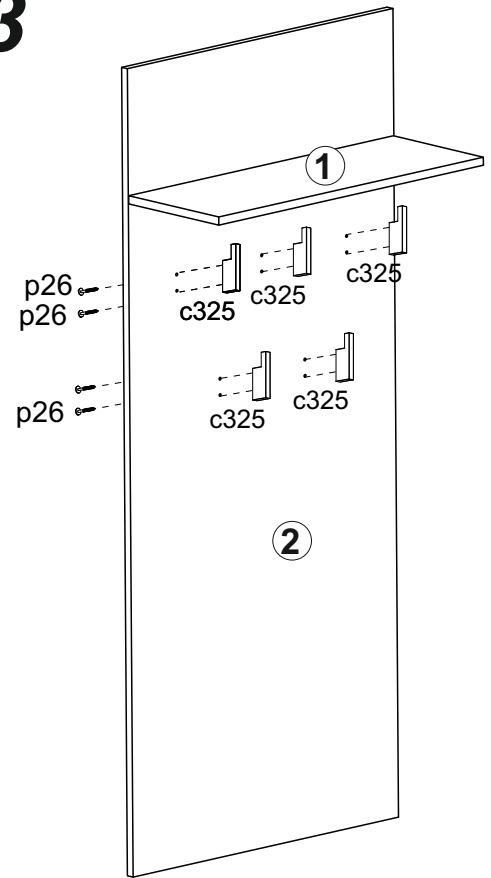
A	B	C		D
1	VL1-302	699	230	1/2
2	VL1-401	1580	700	1/2



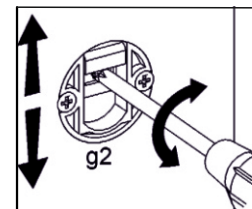
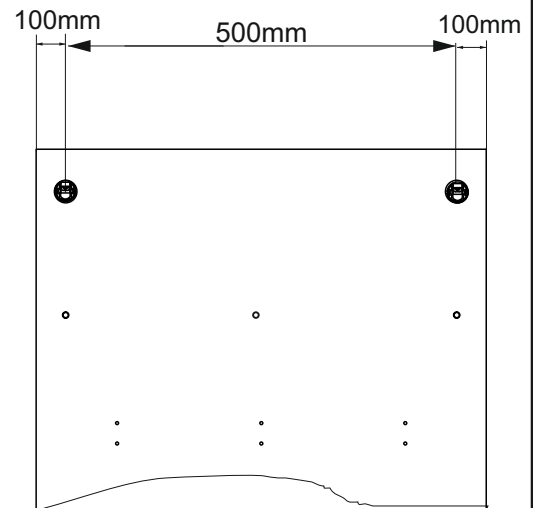
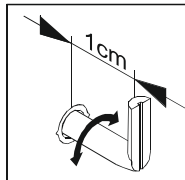
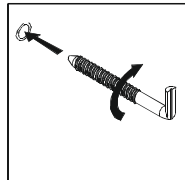
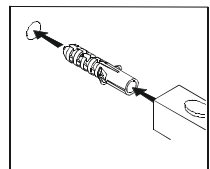
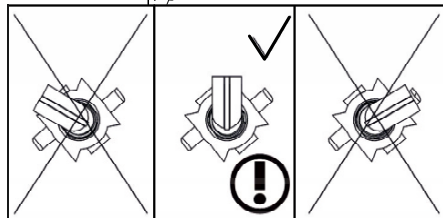
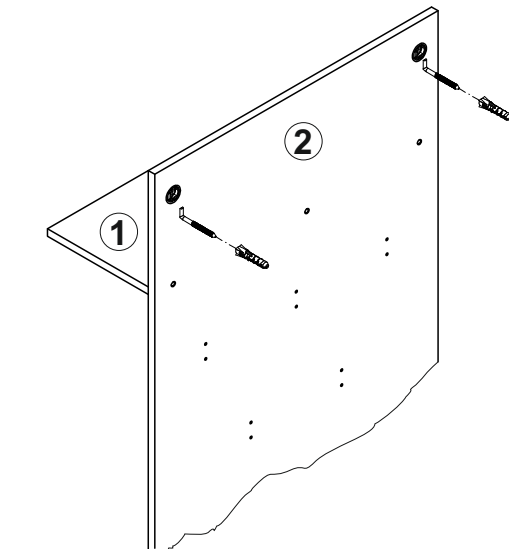
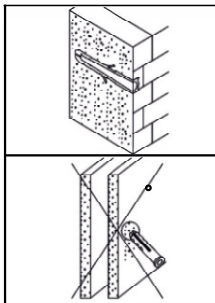
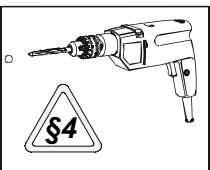
# 2

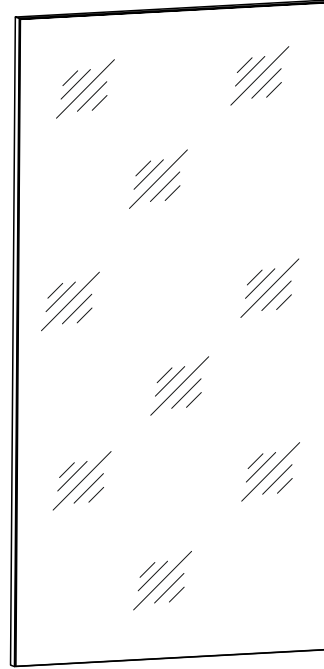


# 3



# 4





A	B	C	D
1	VL1-403	974	700
			1/2

100mm      500mm      100mm

