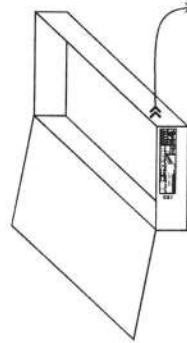
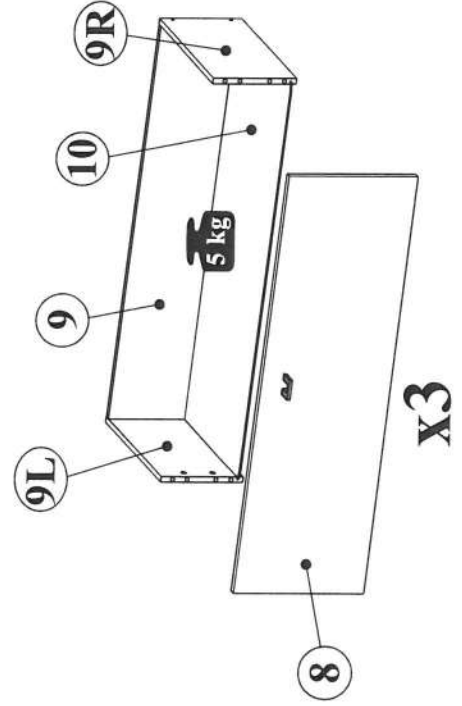
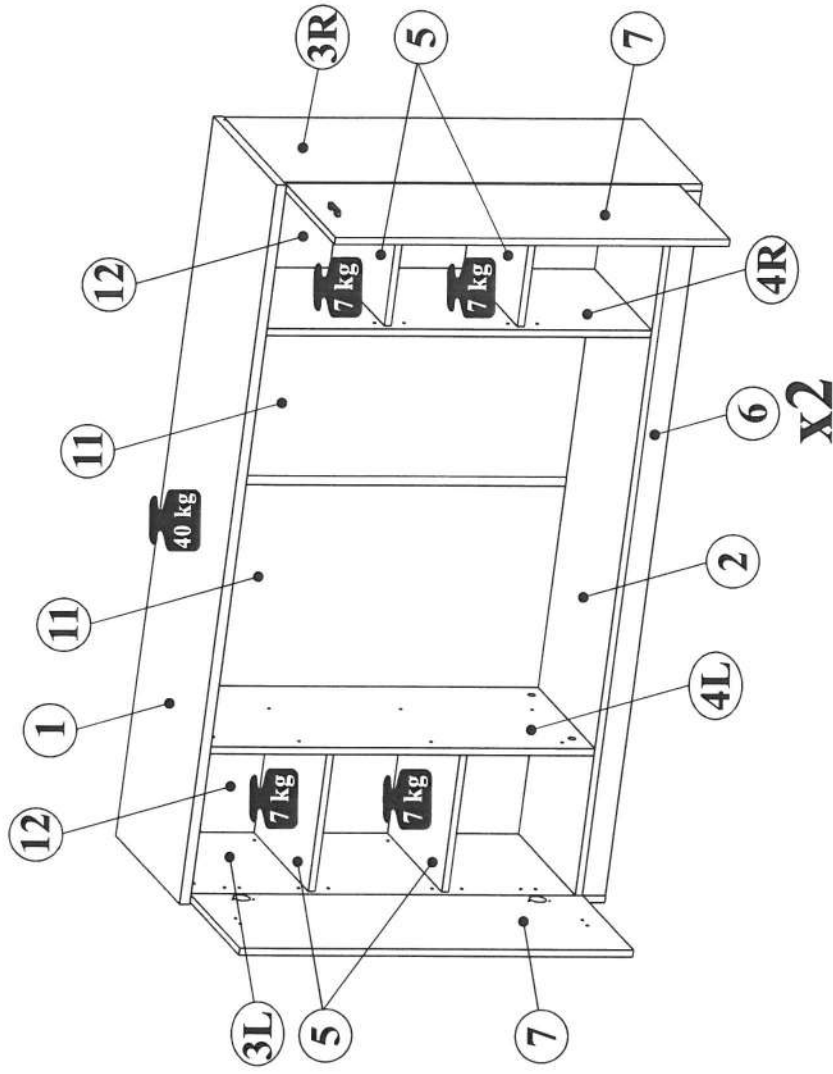
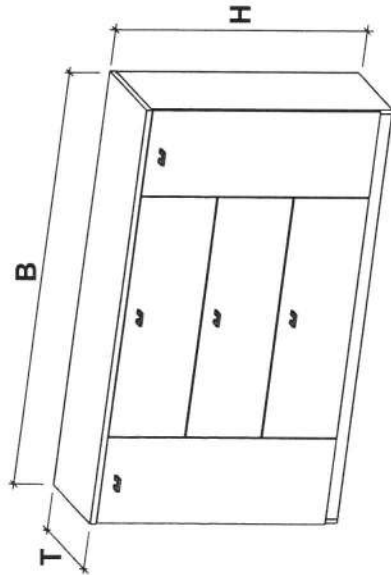


ATLANTA

8X--AT 45

B - 1546 mm
 H - 929 mm
 T - 402 mm



1	1546x402x22	1	2/2
2	1514x381x15	1	2/2
3L,3R	902x382x15	2	1/2
4L,4R	837x381x15	2	1/2
5	299x345x15	4	2/2
6	1514x55x15	2	2/2
7	849x320x15	2	1/2
8	896x280x15	3	1/2
9L,9R	352x180x12	6	2/2
9	844x180x12	3	2/2
10	855x350x3	3	2/2
11	846x446x3	2	2/2
12	846x309x3	2	2/2


NR 1	(B1) φ 8x28 X16	(M1) φ15x12mm X16	(T1) 5x39mm X16	(J23) X20	(W1) X16	(C14) φ20mm X4	(C141) φ20mm X4	(F15) X8
-------------	---------------------------	-----------------------------	---------------------------	---------------------	--------------------	--------------------------	---------------------------	--------------------

NR 2	(Y0) φ35 X4 Kr0	(D6) H2 X4	(E3) 6.3x13 X8	(S8) 4x13 X8
-------------	------------------------------	----------------------	--------------------------	------------------------

NR 3	(Q35B) L-350mm X3L/3R	(E24) 6.0x11 X12	(S3) 3.5x13 X12	(M2) φ12x10mm X12	(T2) 5x35mm X12	(P5) 4x30 X12	(F338) L-338 X3	(P10) 3x13 X6
-------------	---------------------------------	----------------------------	---------------------------	-----------------------------	---------------------------	-------------------------	---------------------------	-------------------------

NR 4	(U173) X5	(A2) M4x25 X10	(L1) GUE LEB X2
-------------	---------------------	--------------------------	------------------------------

NR 5	(J11) X2	(P13) 3.5x13 X4	(T13) 8x50 mm X2	(T14) 6x50 mm X2
-------------	--------------------	---------------------------	----------------------------	----------------------------



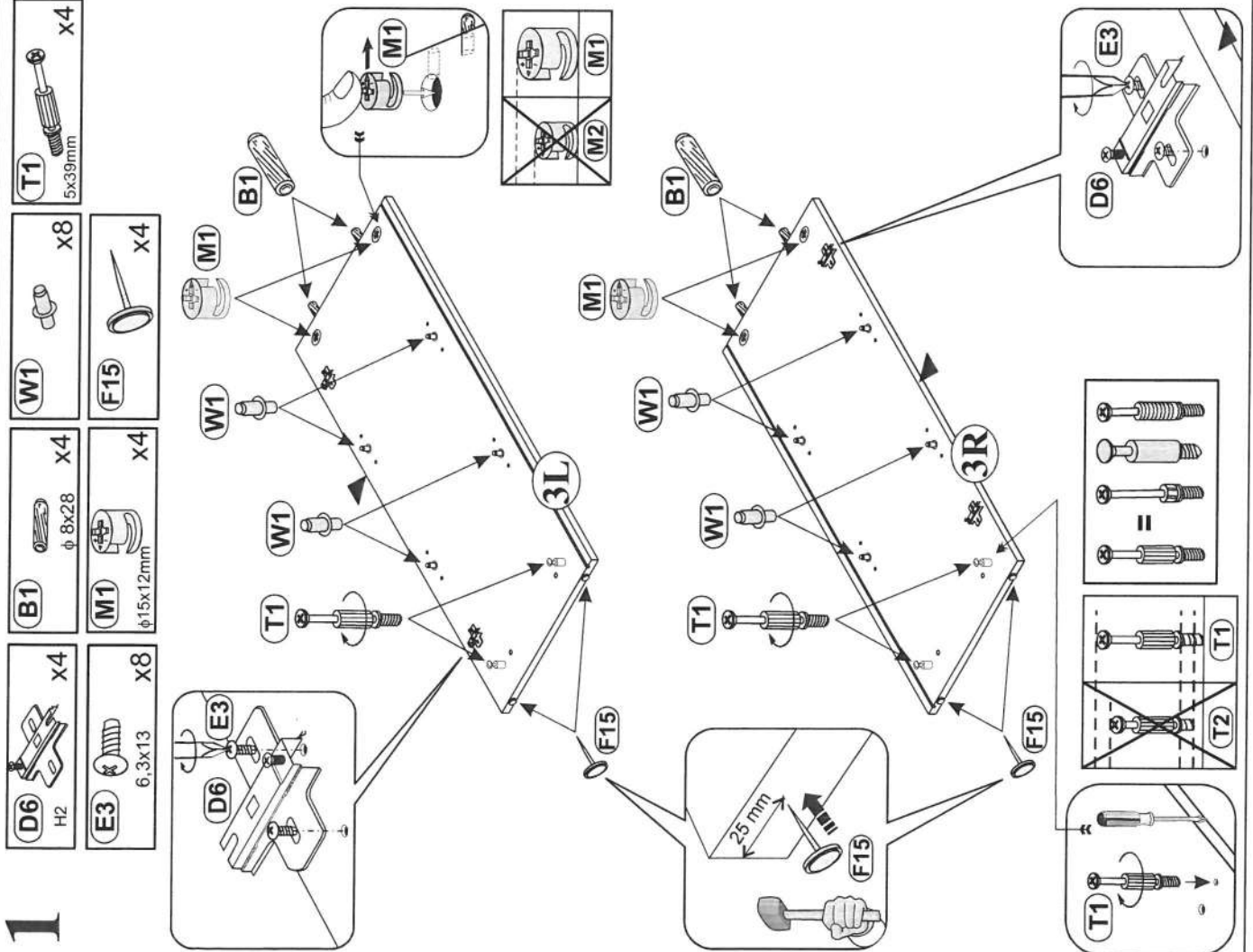
J22
L=836 mm X1

C 2/2

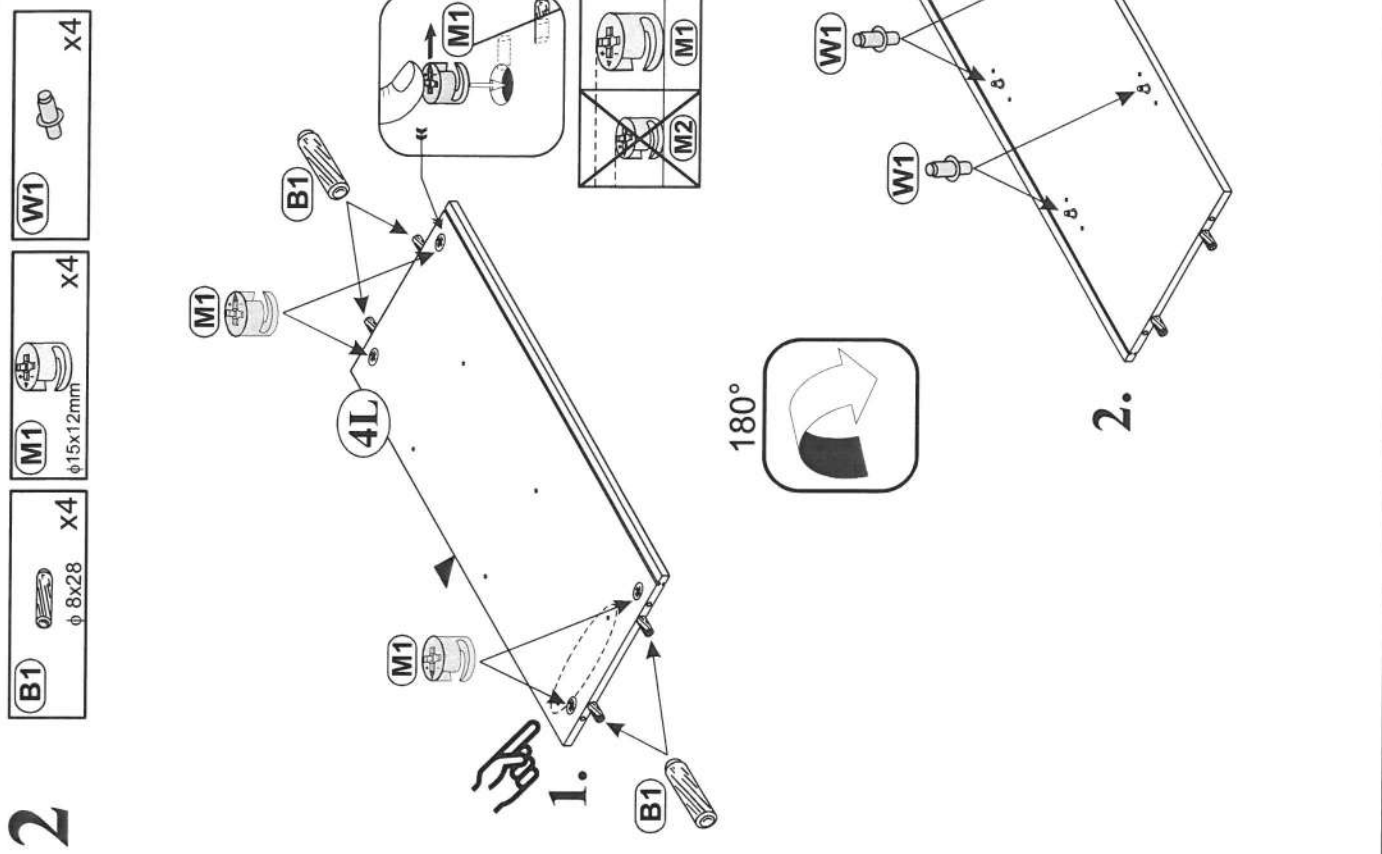
C 1/2



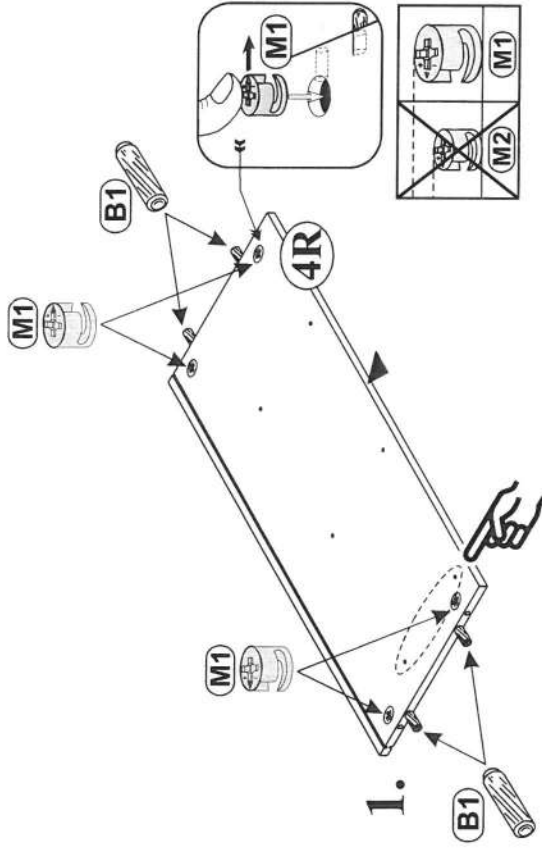
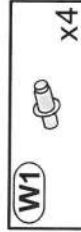
1



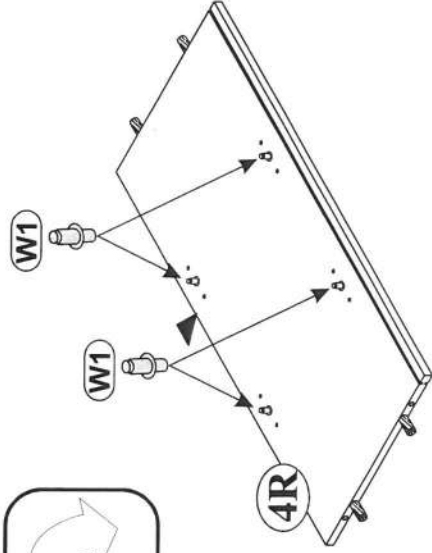
2



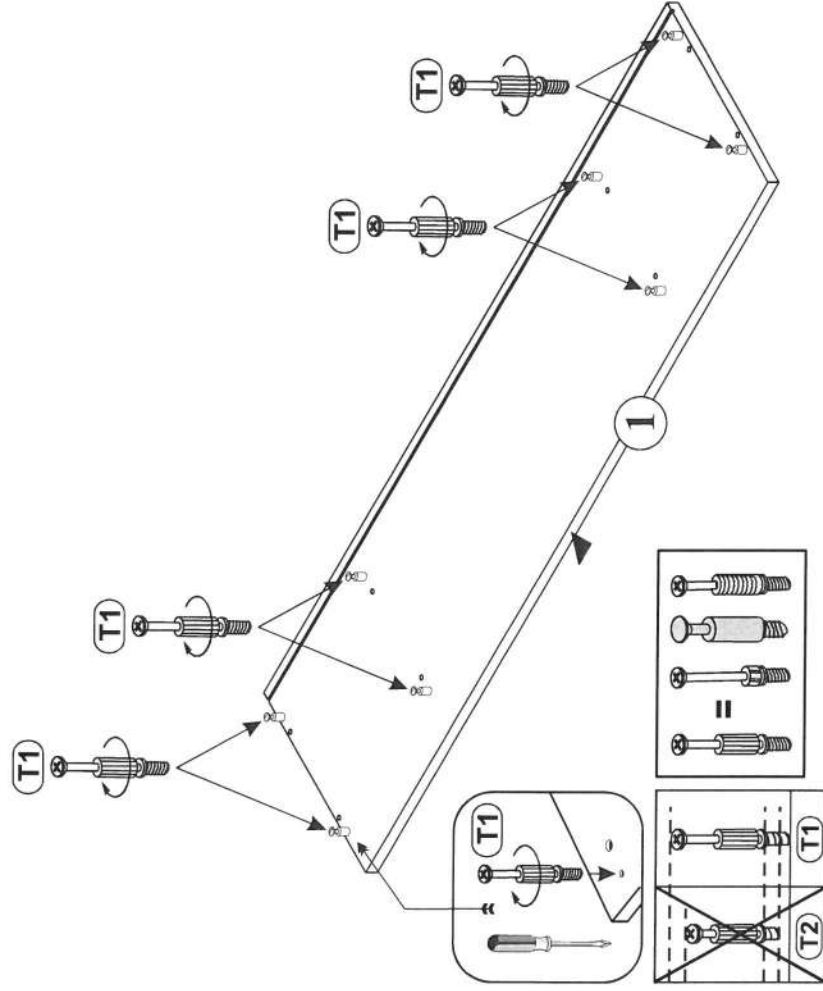
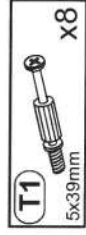
3



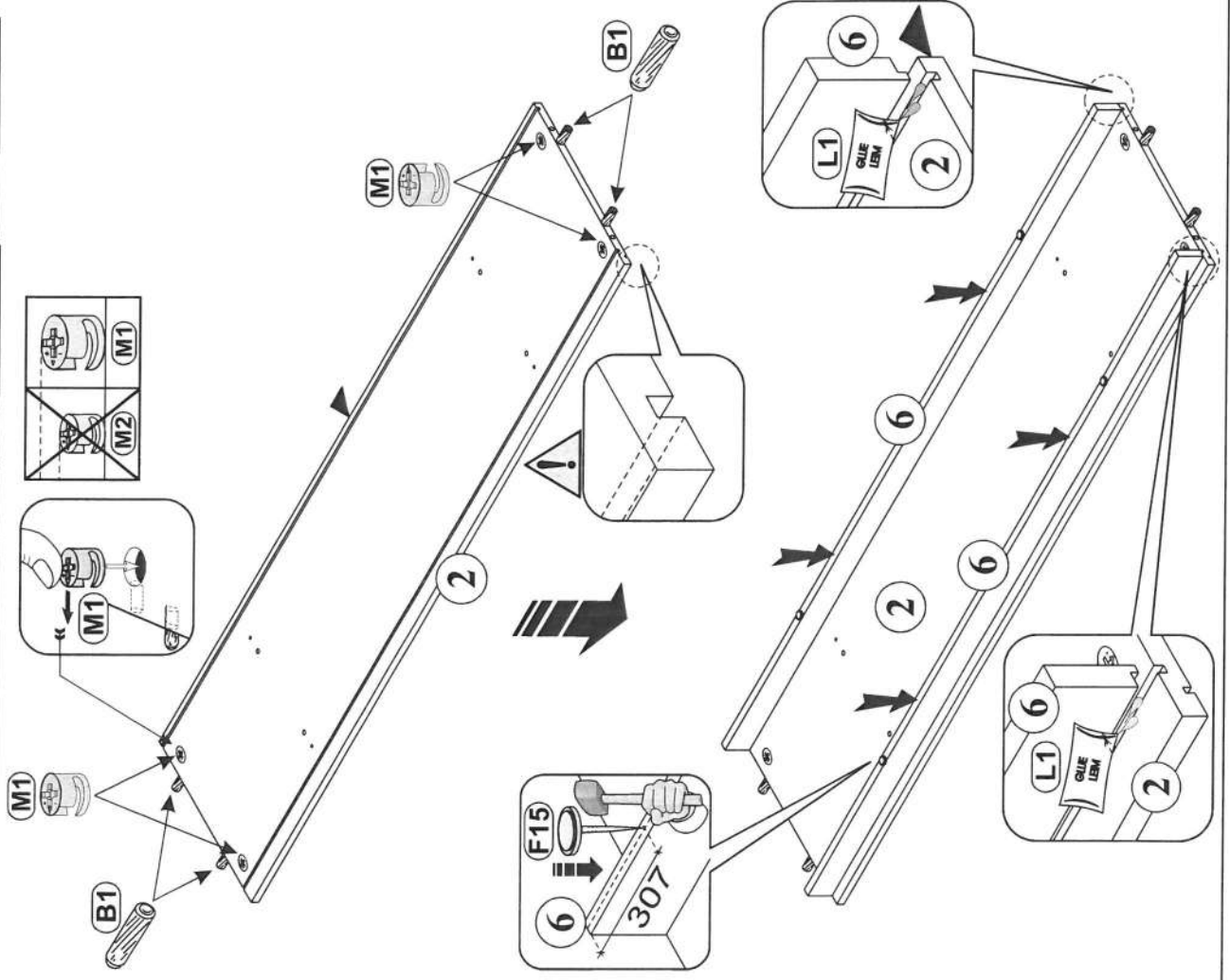
2.



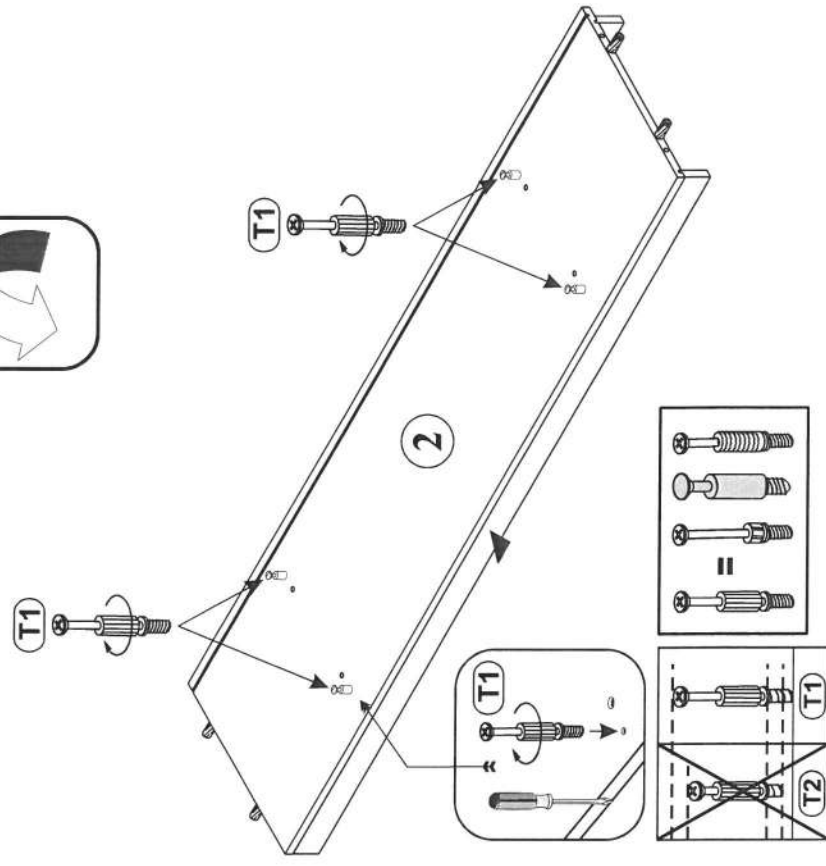
4



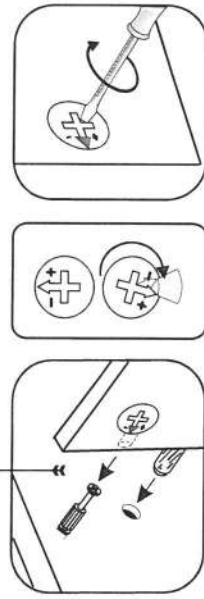
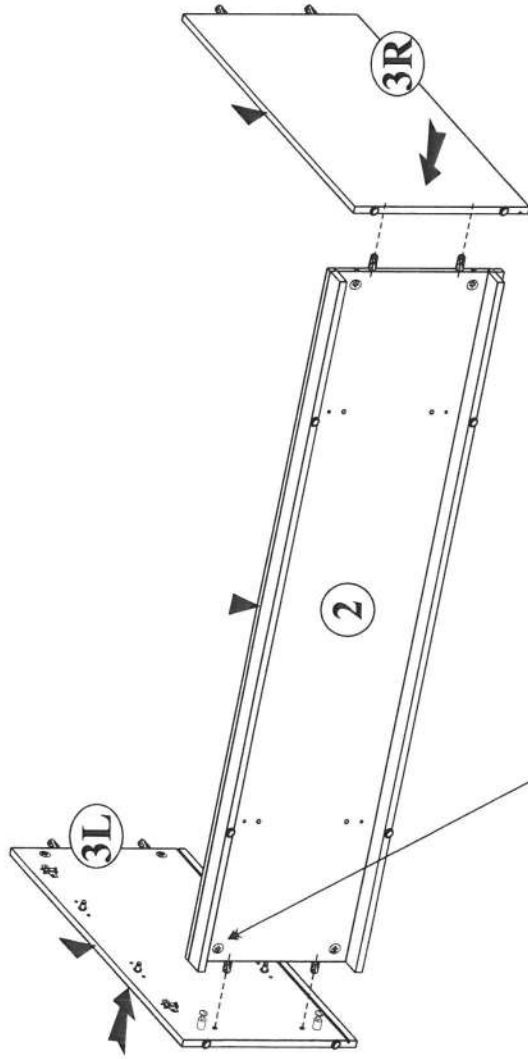
5a



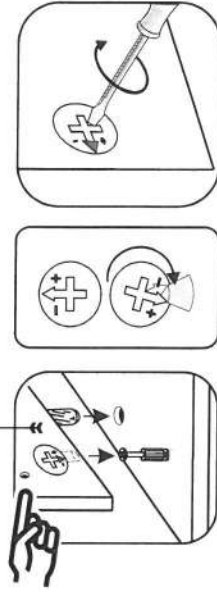
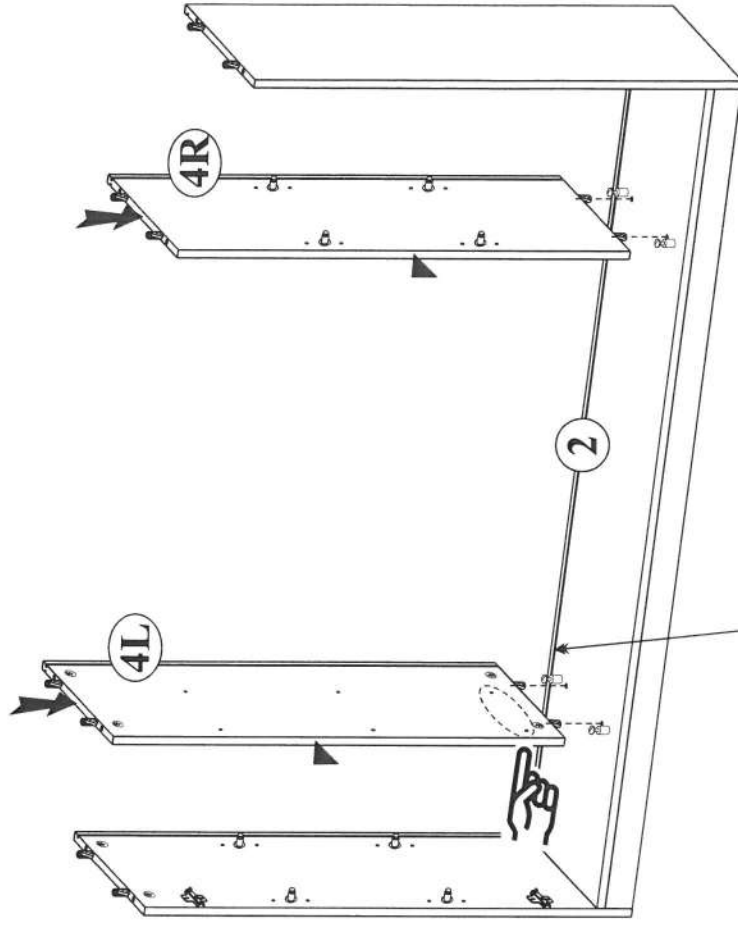
5b

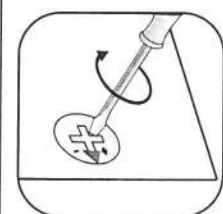
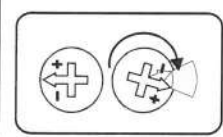
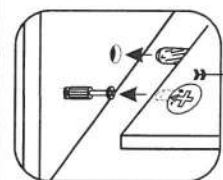


6

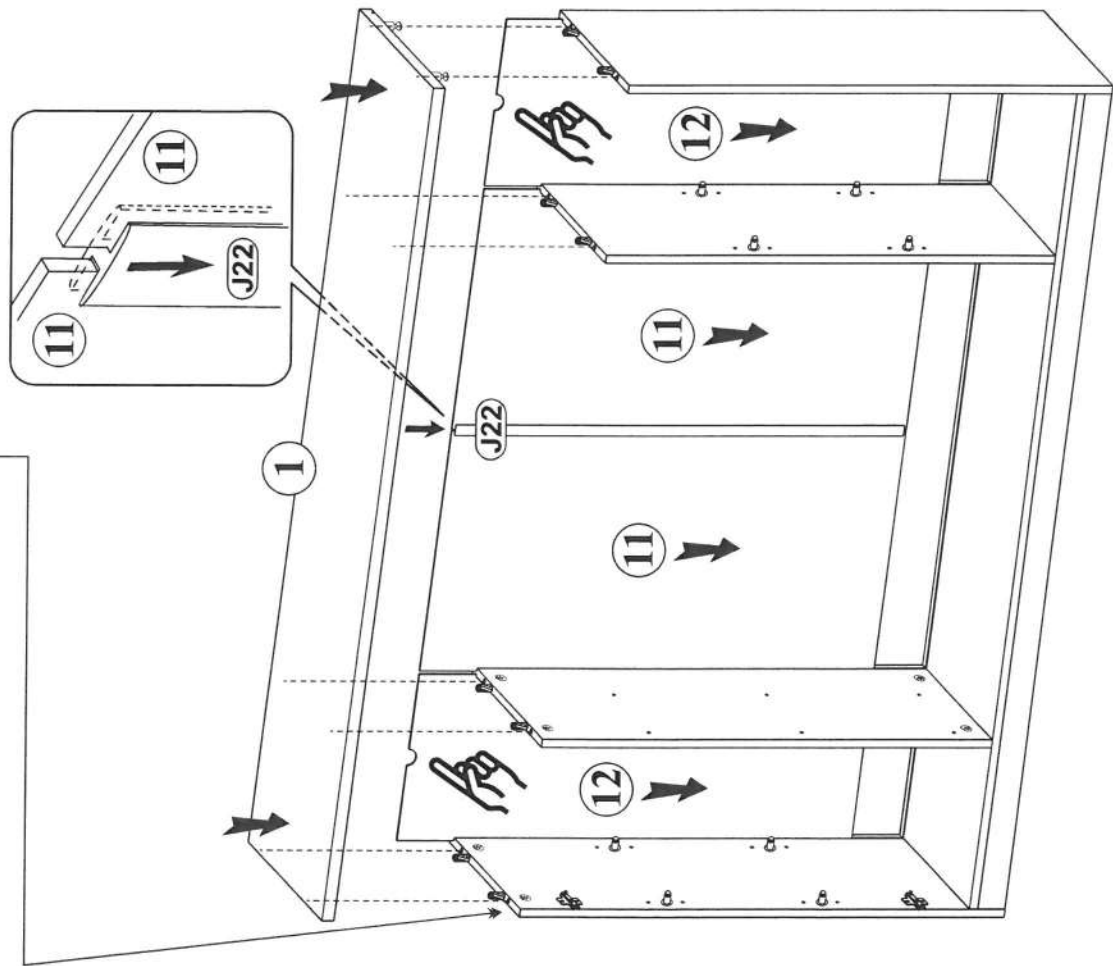


7

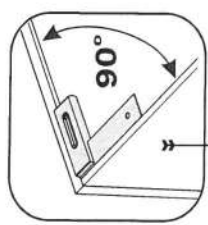




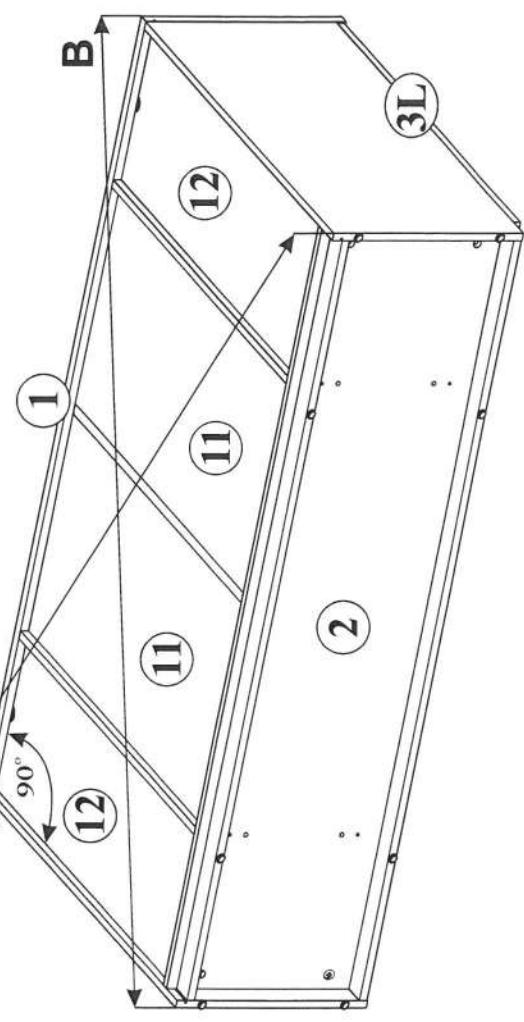
8



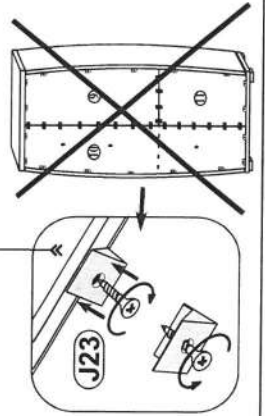
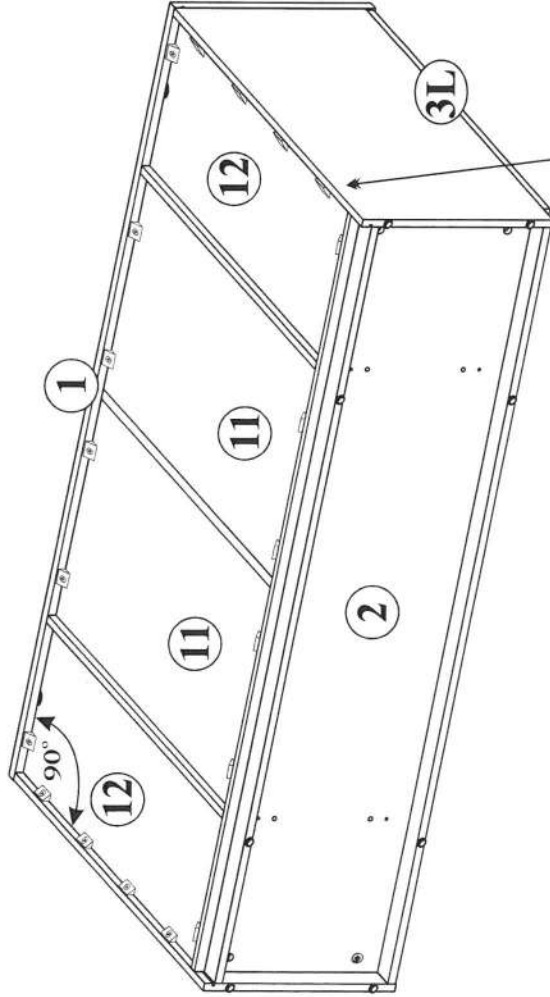
9



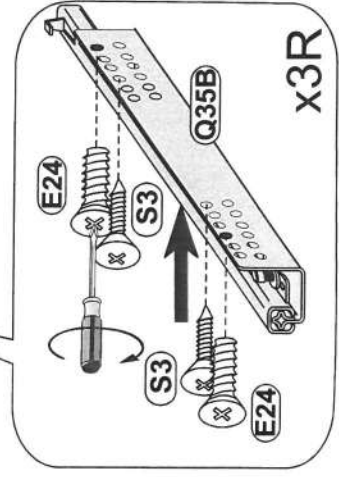
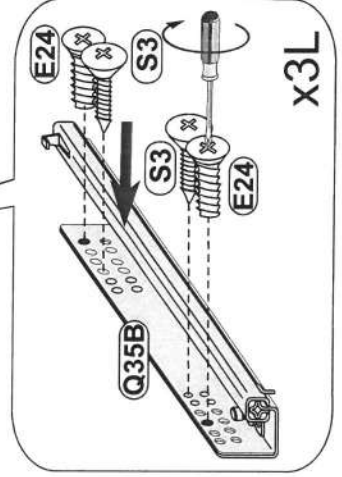
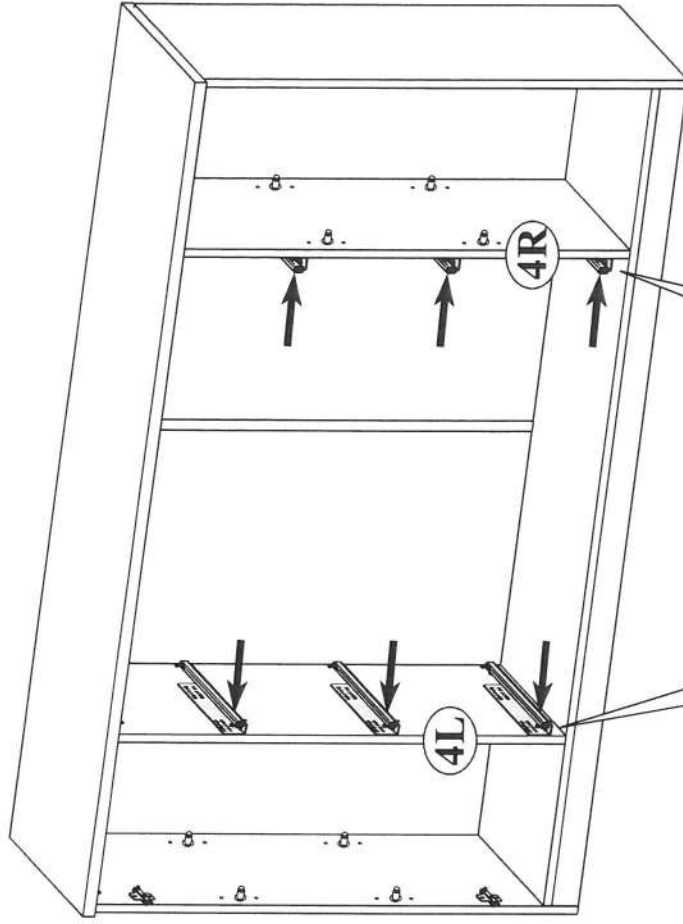
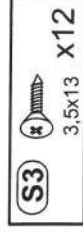
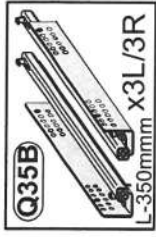
A=B ✓



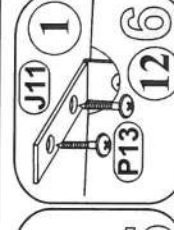
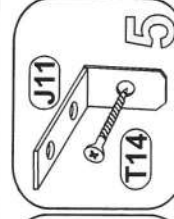
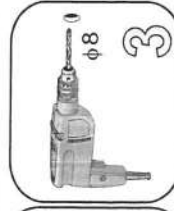
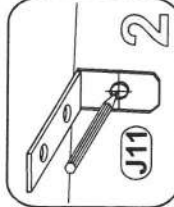
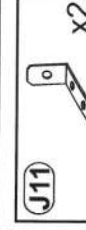
10



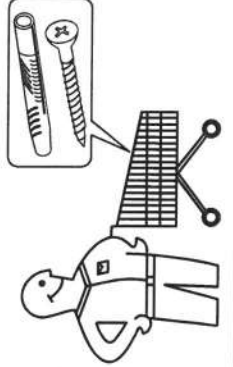
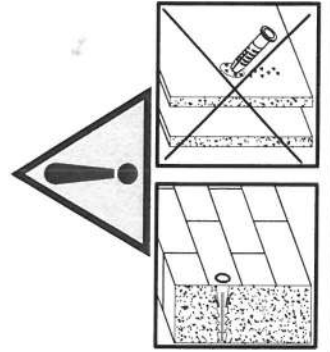
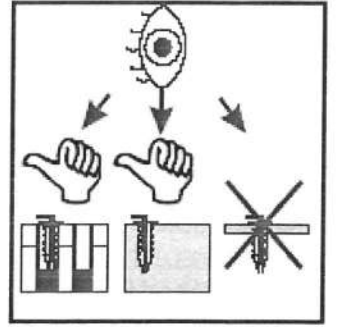
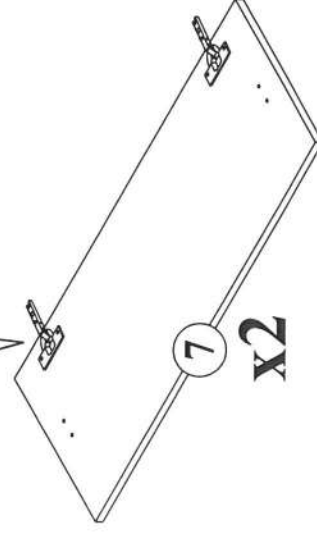
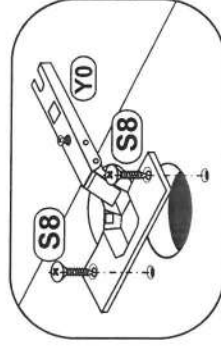
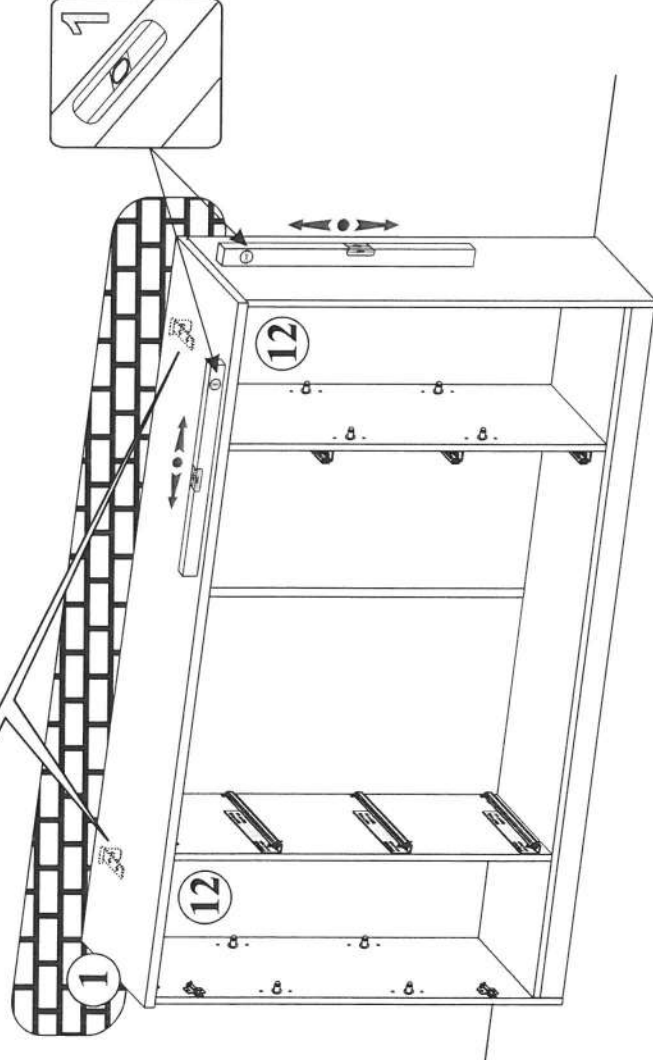
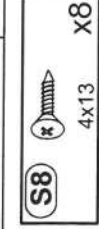
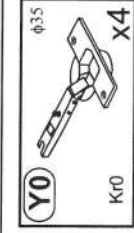
11



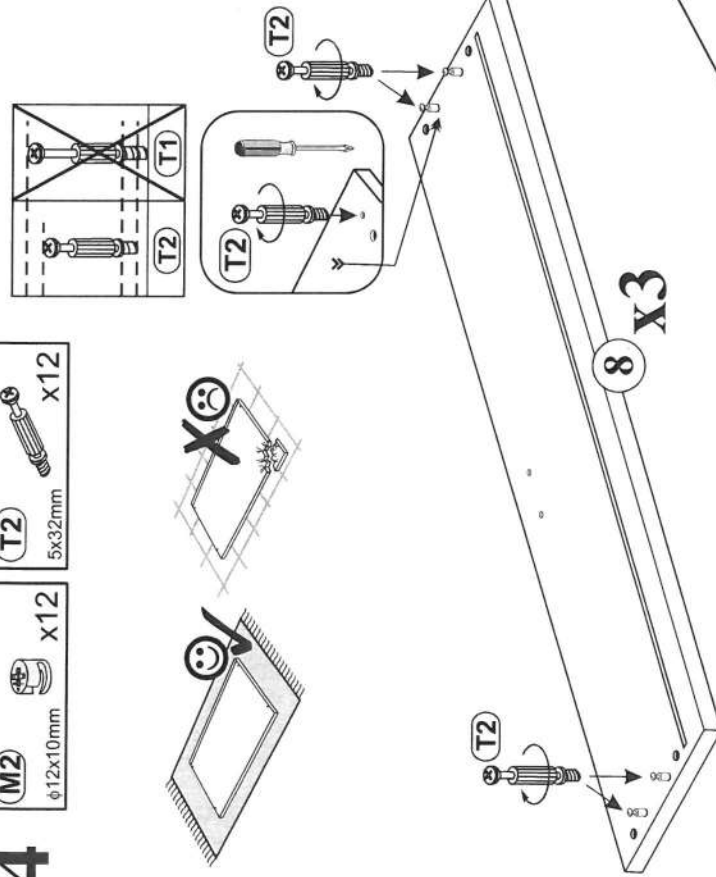
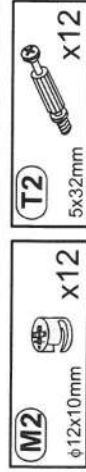
12



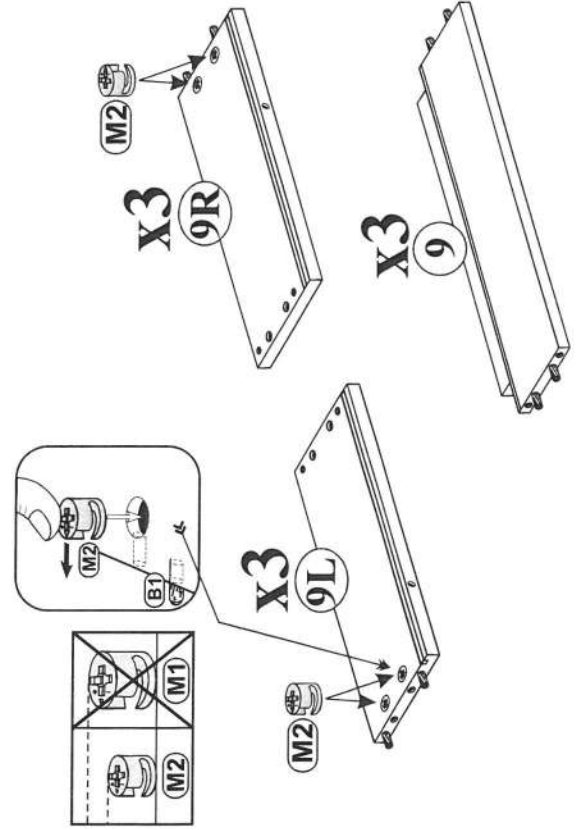
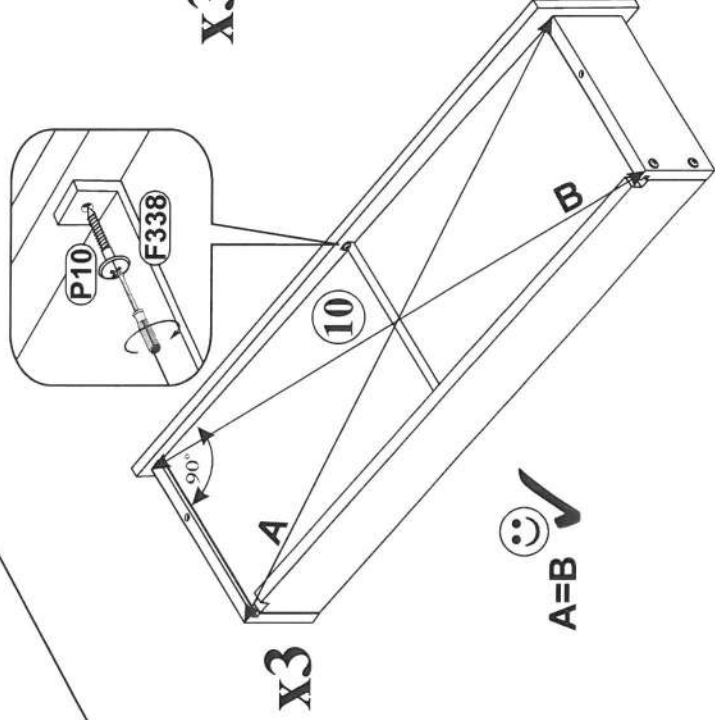
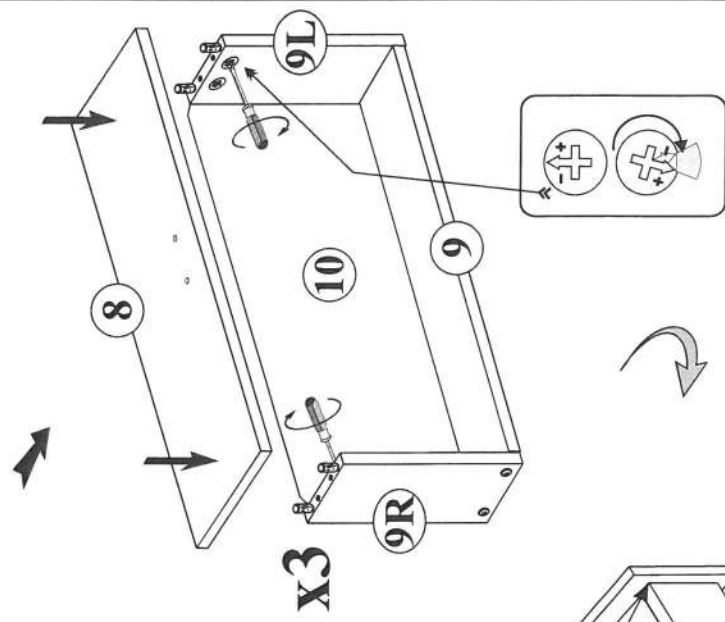
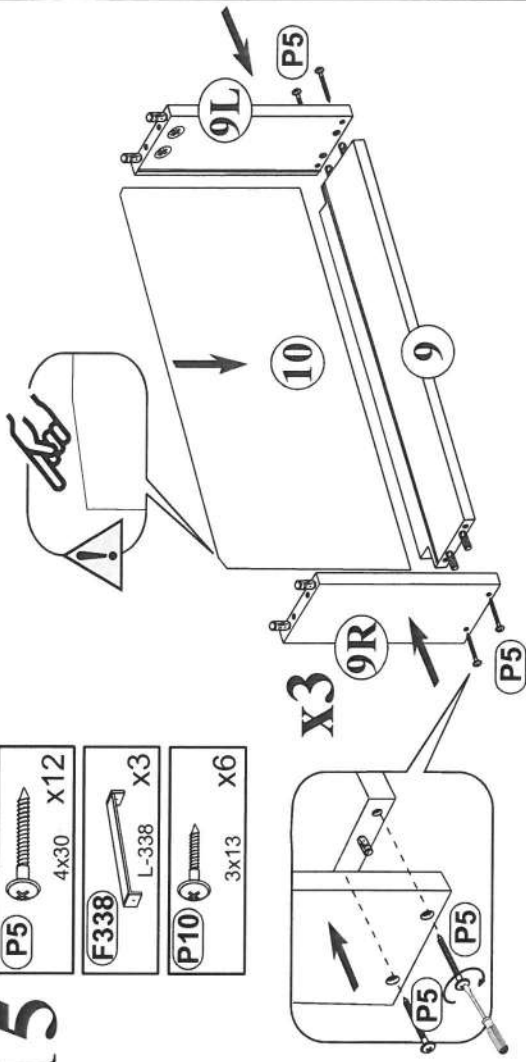
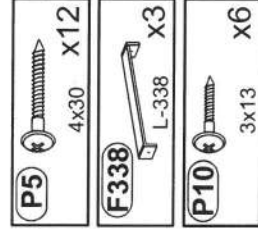
13



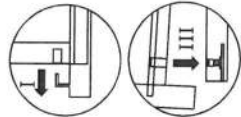
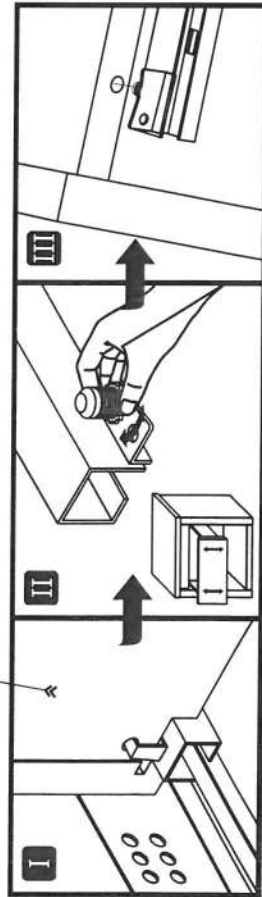
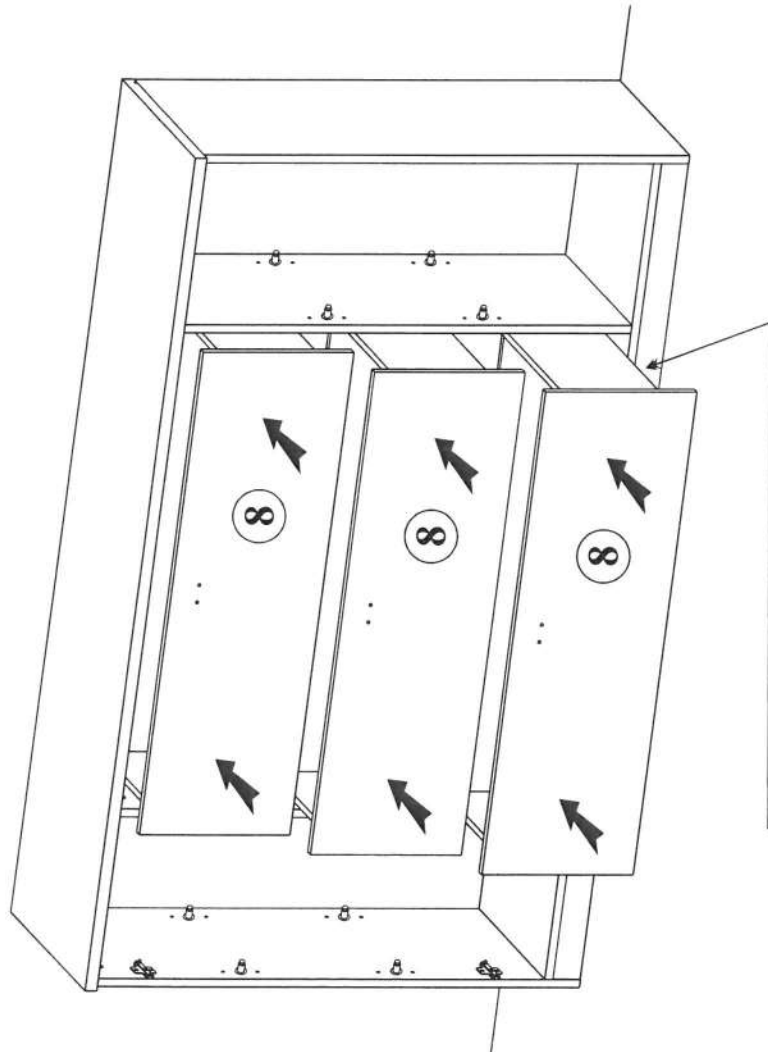
14



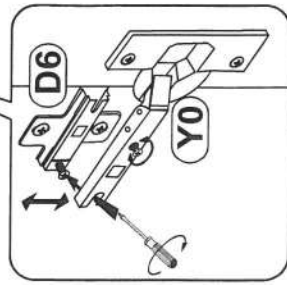
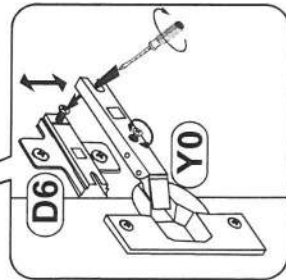
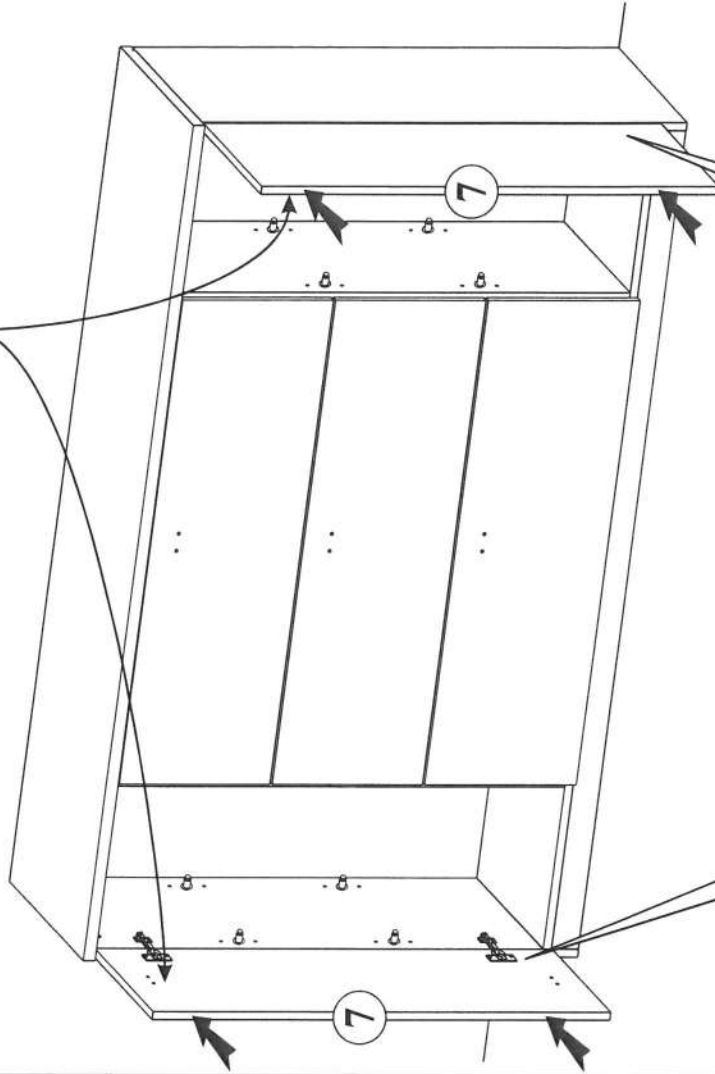
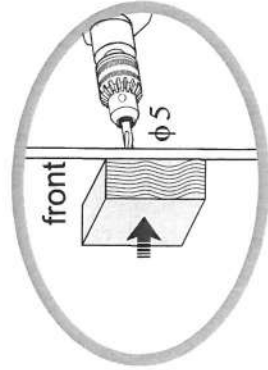
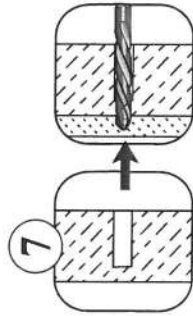
15



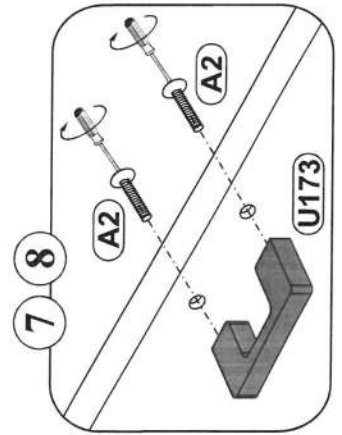
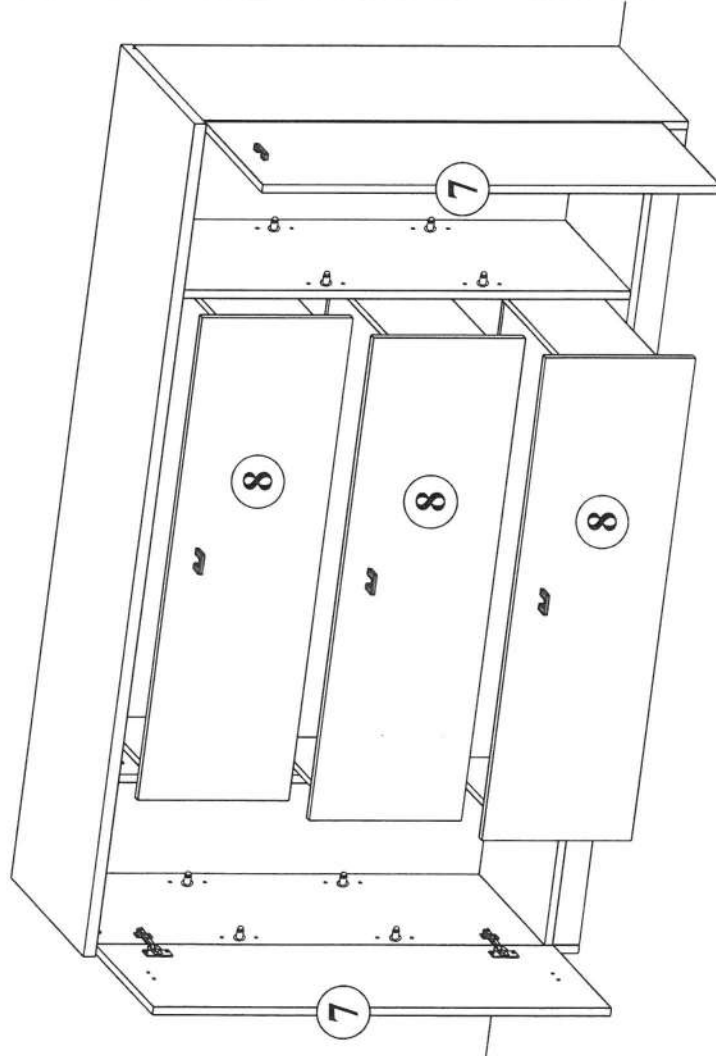
16



17



18



19

